



US00D338364S

United States Patent [19]

[11] Patent Number: **Des. 338,364**

Holzrichter

[45] Date of Patent: **** Aug. 17, 1993**

- [54] PATIO TABLECLOTH
- [76] Inventor: **Gustav A. Holzrichter**, 3029 Concord St., Sarasota, Fla. 34321
- [**] Term: **14 Years**
- [21] Appl. No.: **616,013**
- [22] Filed: **Nov. 20, 1990**
- [52] U.S. Cl. **D6/621**
- [58] Field of Search **D6/612, 617; D3/30.1; 108/90**

297103 3/1954 Switzerland .
928869 6/1963 United Kingdom .

OTHER PUBLICATIONS

Handsome Rewards Brochure, booster cable bag. Symbol Sourcebook, ©1972, p. 200, diamond symbol A.

Primary Examiner—Wallace R. Burke
Assistant Examiner—Lisa Lichtenstein
Attorney, Agent, or Firm—Terry M. Gernstein

- [56] **References Cited**
- U.S. PATENT DOCUMENTS**
- 1,240,208 9/1917 Holtmeyer 108/90
- 1,856,799 5/1932 Waters 108/90
- 3,279,515 10/1966 Kesh 108/90
- 3,960,193 5/1976 Davis D6/617
- 4,328,271 5/1982 Rountree 428/66
- 4,337,812 7/1982 Trinkner D3/43
- FOREIGN PATENT DOCUMENTS**
- 2633173 12/1989 France D6/617

[57] **CLAIM**
The ornamental design for a patio tablecloth, as shown.

DESCRIPTION

FIG. 1 is a top, front and right side perspective view of a patio tablecloth showing my new design; FIG. 2 is a front elevational view thereof in closed condition; FIG. 3 is a rear elevational view of FIG. 2; FIG. 4 is a left side elevational view of FIG. 2; FIG. 5 is a top plan view of FIG. 2; and, FIG. 6 is a bottom plan view of FIG. 2.

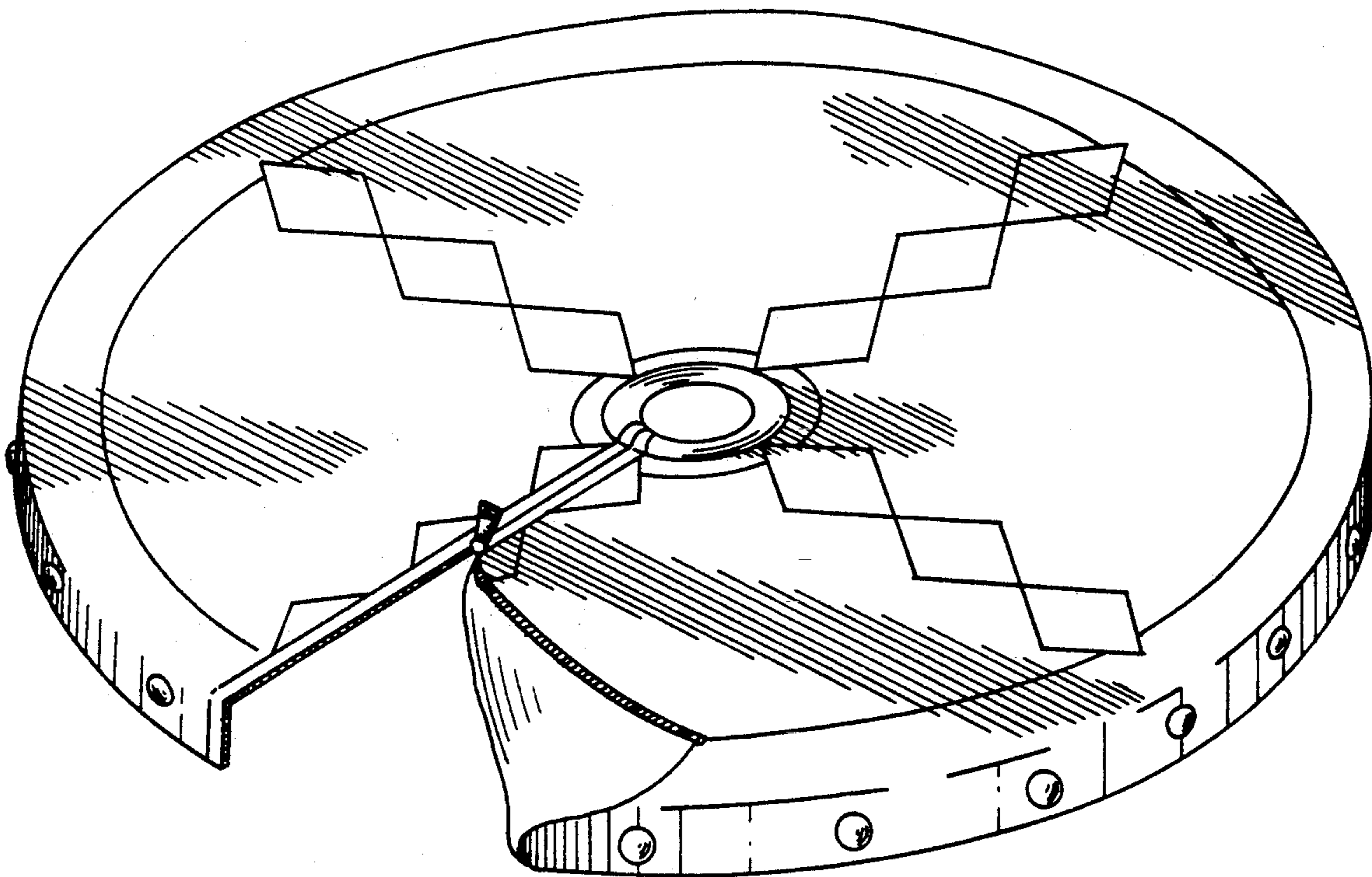


FIG.1.

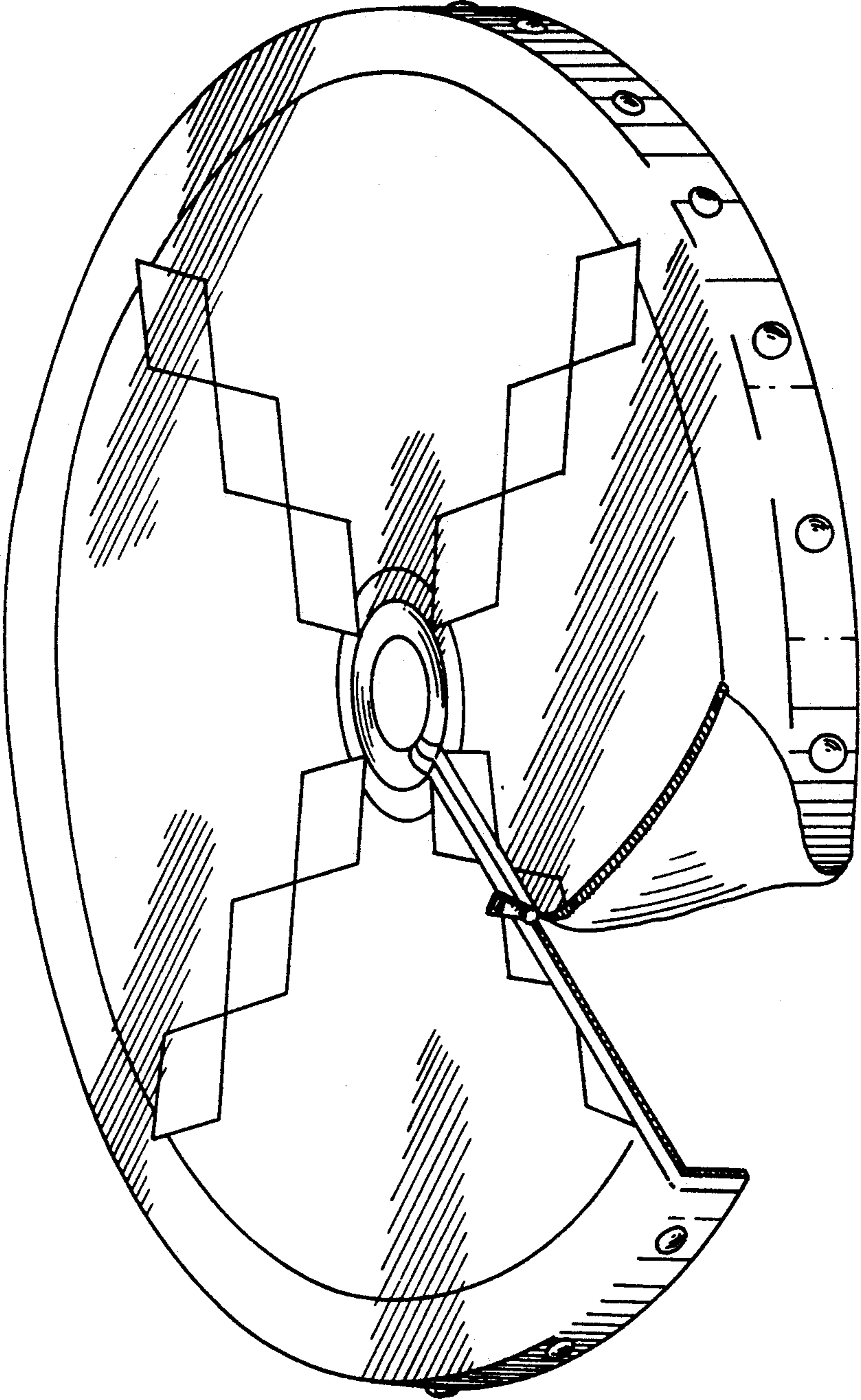


FIG. 6.

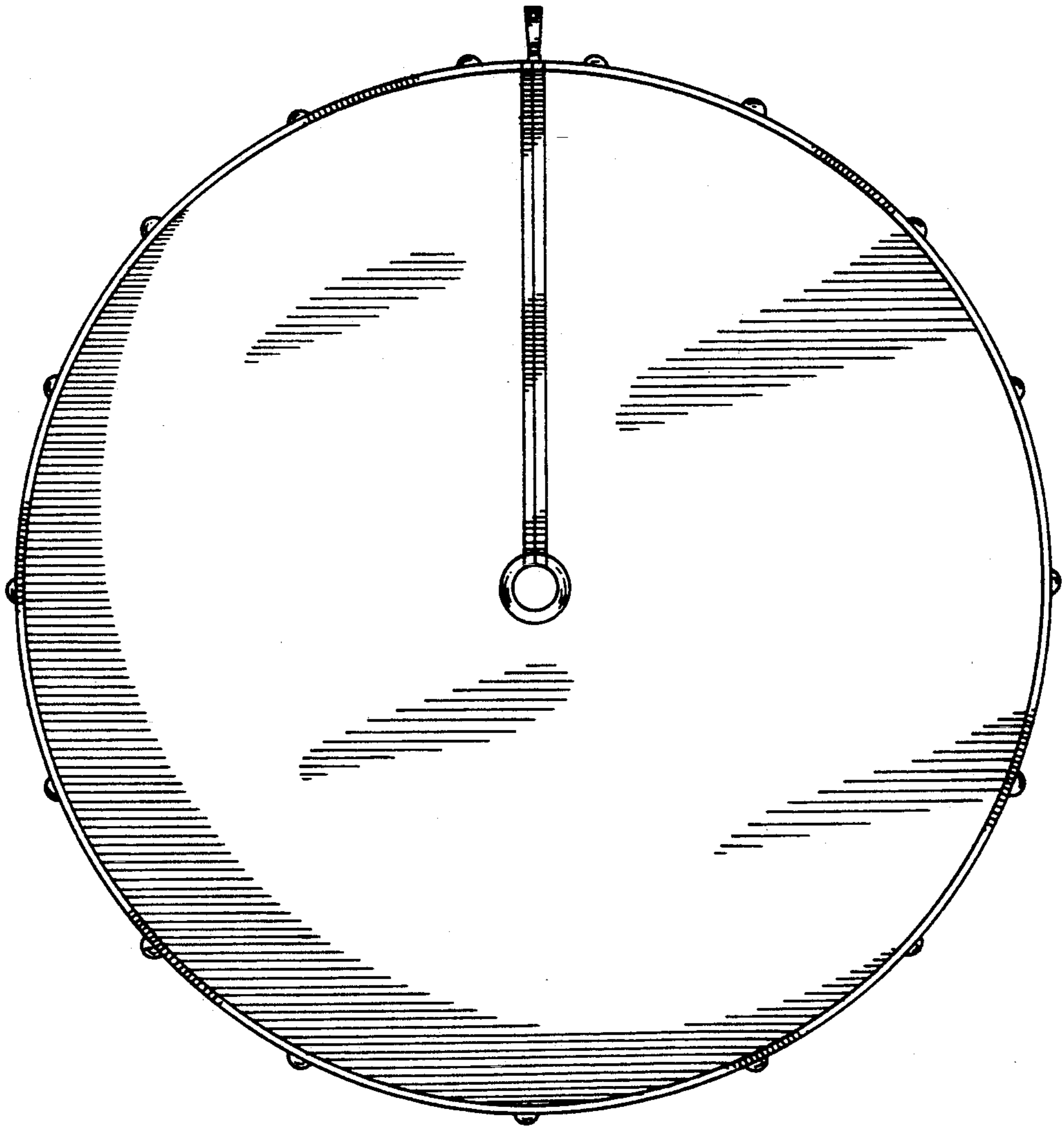


FIG. 2.



FIG. 4.



FIG. 3.



FIG. 5.

