



US00D338344S

United States Patent [19]

[11] Patent Number: **Des. 338,344**

Meeker

[45] Date of Patent: **** Aug. 17, 1993**

[54] CHILD'S ROCKING SETTEE

[76] Inventor: **Paul K. Meeker**, 113 W. Mennonite Rd., Aurora, Ohio 44202

D. 301,091	5/1989	Kimball	D6/348
D. 302,216	7/1989	Roland	D6/348
D. 319,929	9/1991	Smith	D6/348
5,000,514	3/1991	Hanson	D6/348 X

[*] Notice: The portion of the term of this patent subsequent to Sep. 29, 2006 has been disclaimed.

Primary Examiner—Donald P. Walsh
Assistant Examiner—Gary D. Watson

[**] Term: **14 Years**

[57] **CLAIM**

[21] Appl. No.: **422,917**

The ornamental design for a child's rocking settee, as shown and described.

[22] Filed: **Oct. 16, 1989**

DESCRIPTION

[52] U.S. Cl. **D6/348; D6/370; D6/381**

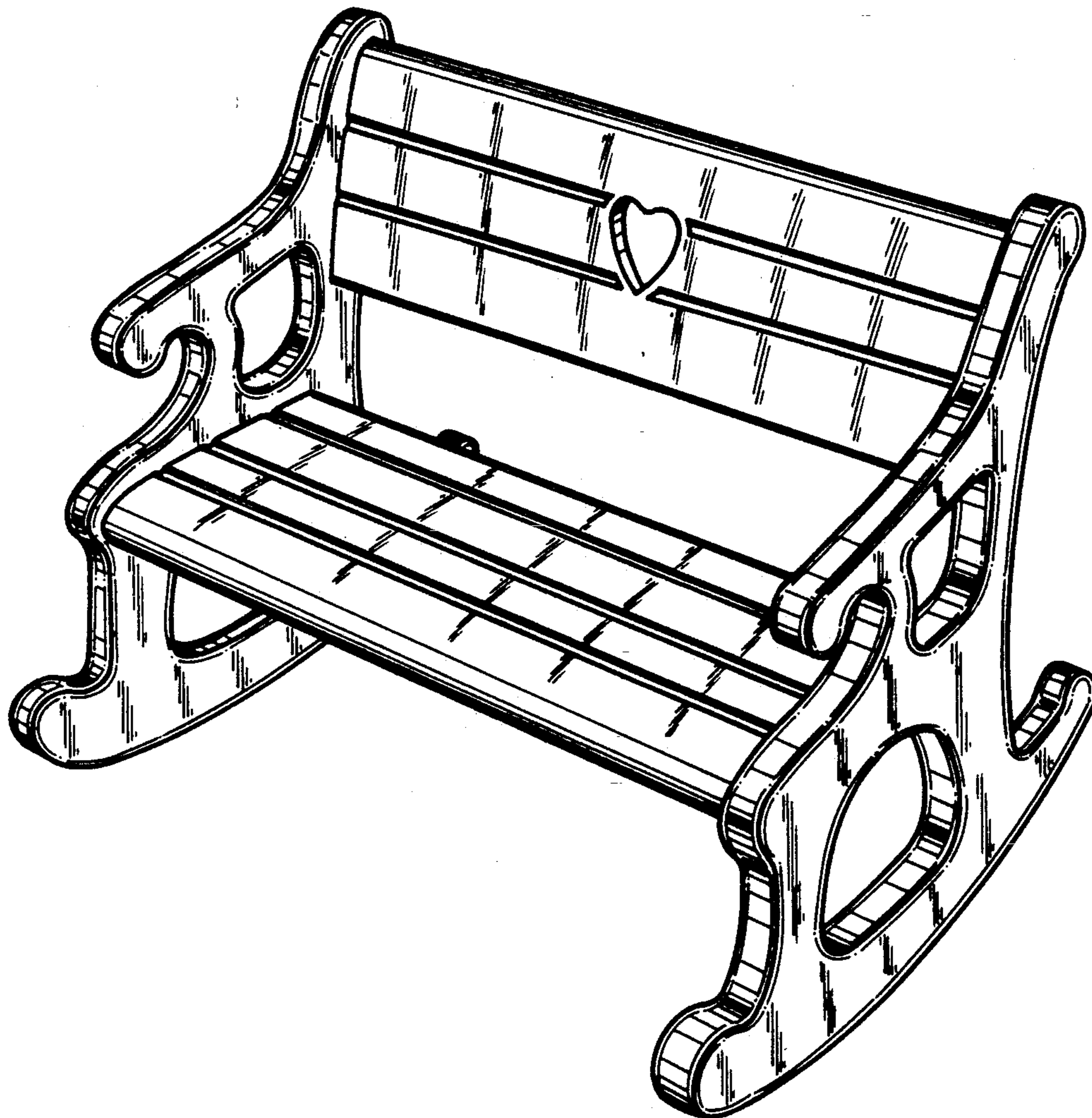
[58] Field of Search **D6/334, 344, 348, 351, D6/358, 370, 374, 379, 380, 381, 500, 501; 297/258**

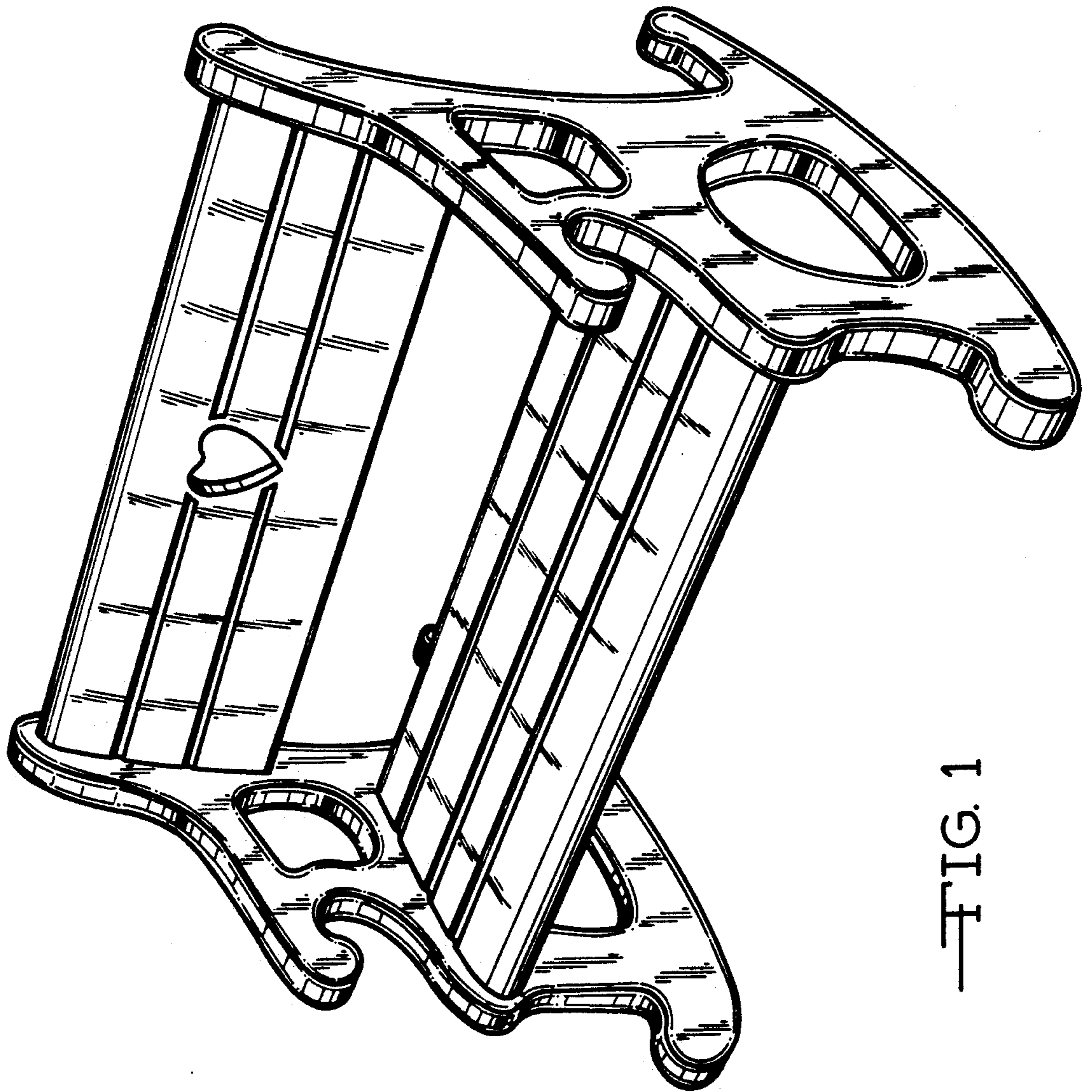
FIG. 1 is a right-front perspective view of a child's rocking settee showing my new design; FIG. 2 is a front perspective view; FIG. 3 is a right side perspective view; FIG. 4 is a rear perspective view; FIG. 5 is a left side perspective view; FIG. 6 is a top perspective view; and, FIG. 7 is a bottom perspective view thereof. FIGS. 2 through 7 have been drawn to a larger scale with respect to FIG. 1.

[56] **References Cited**

U.S. PATENT DOCUMENTS

D. 63,045	9/1923	Strickland	D6/348
D. 289,234	4/1987	Hoult	D6/348





—FIG. 1

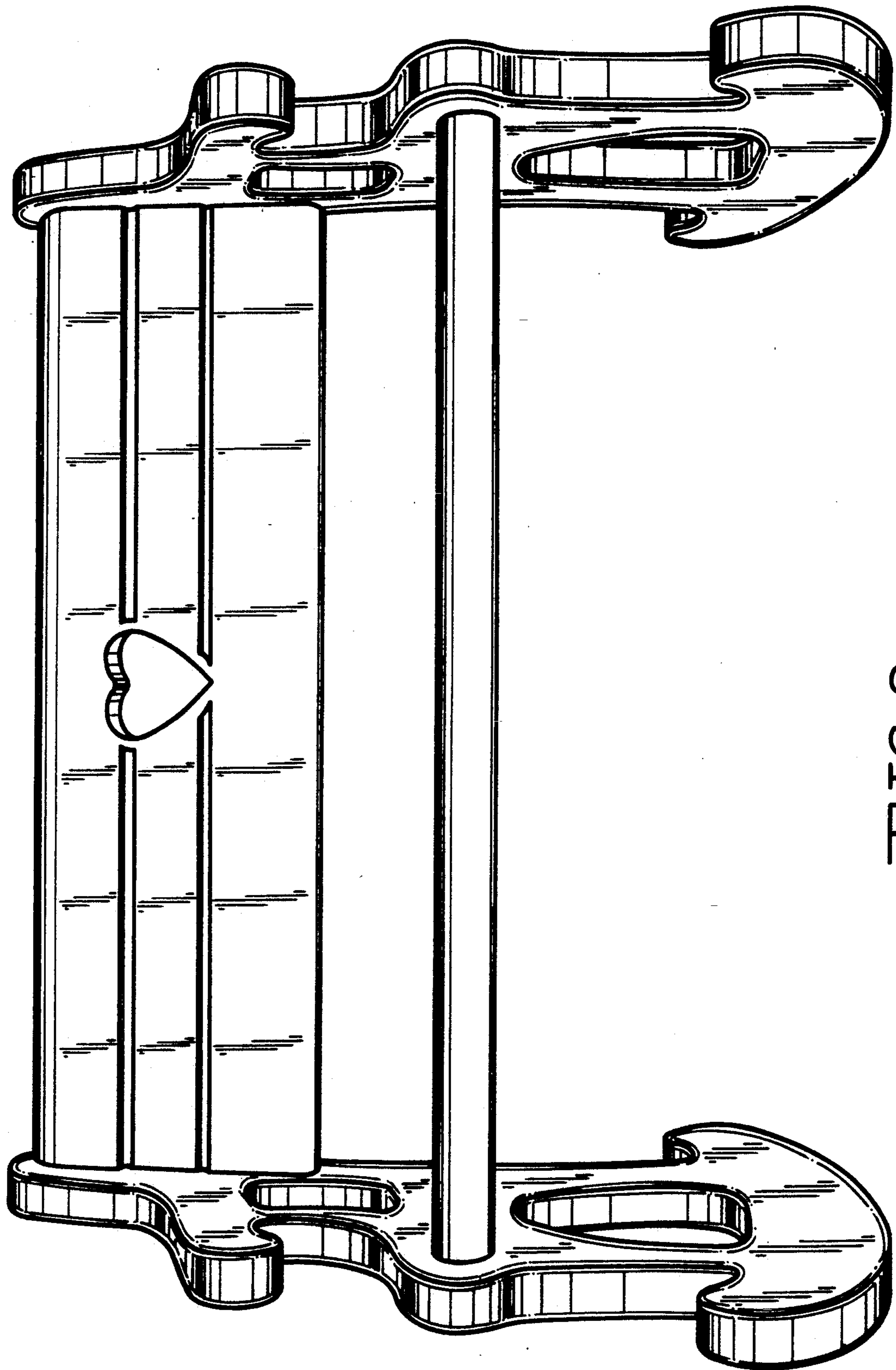
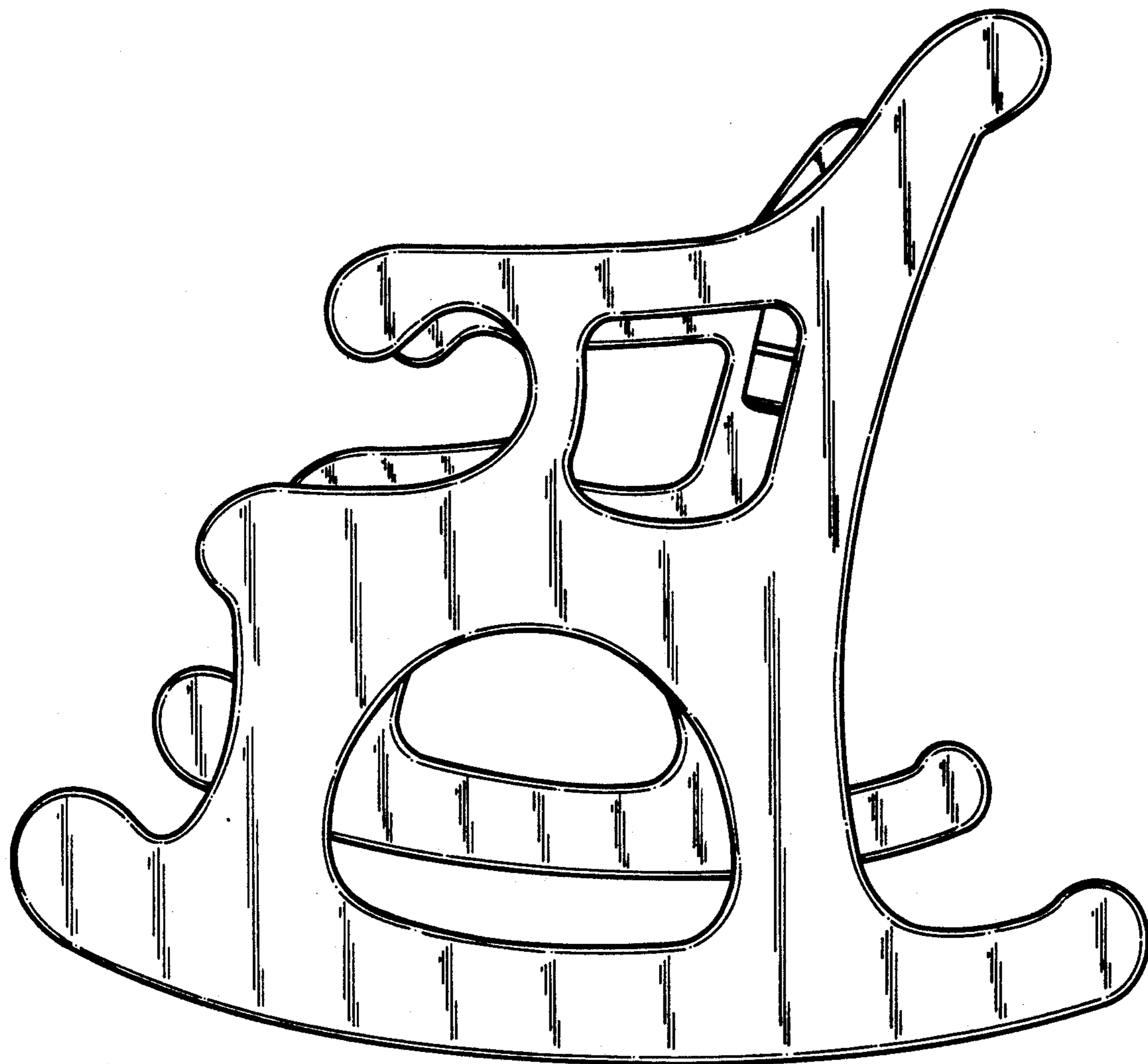
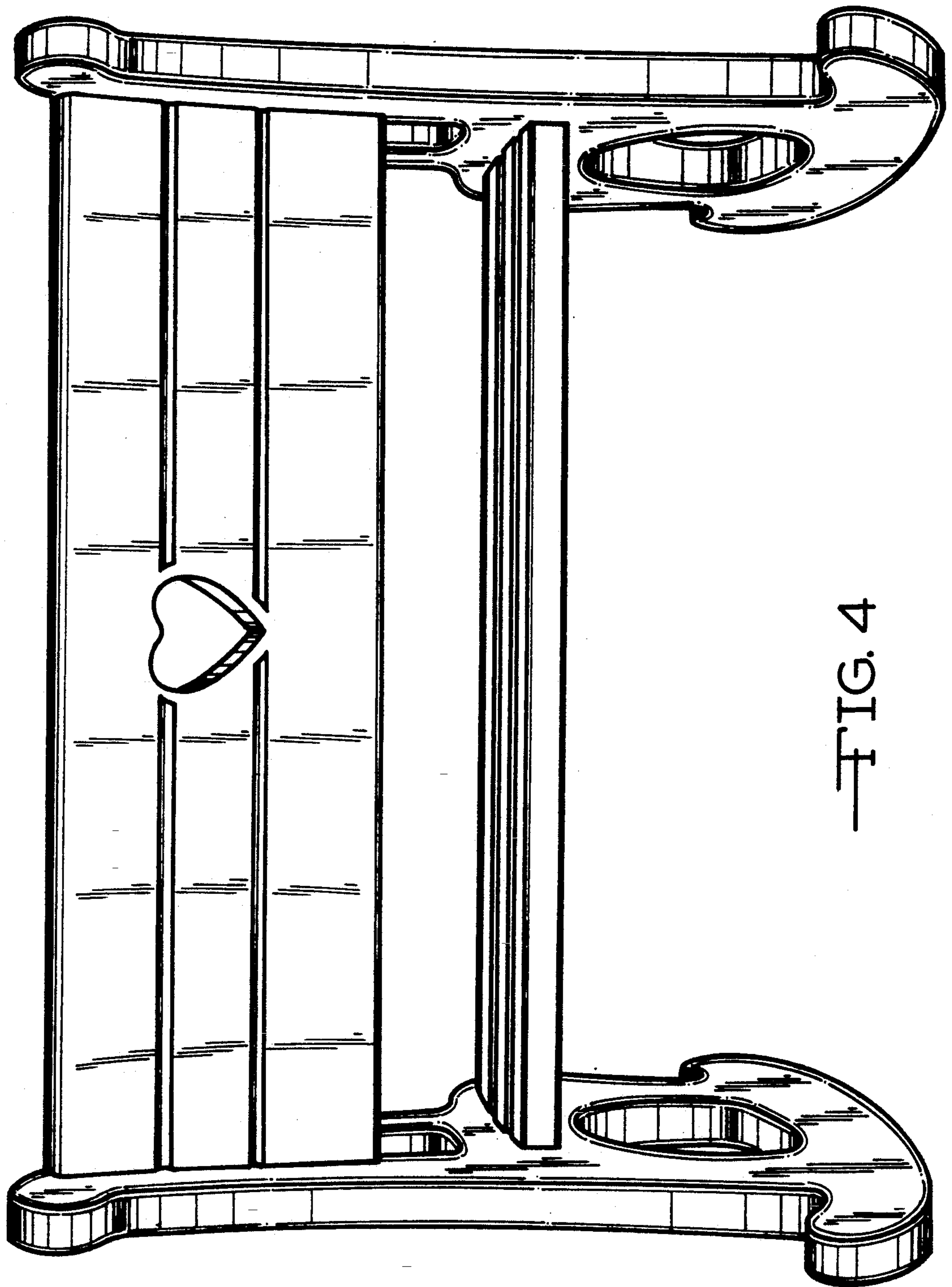


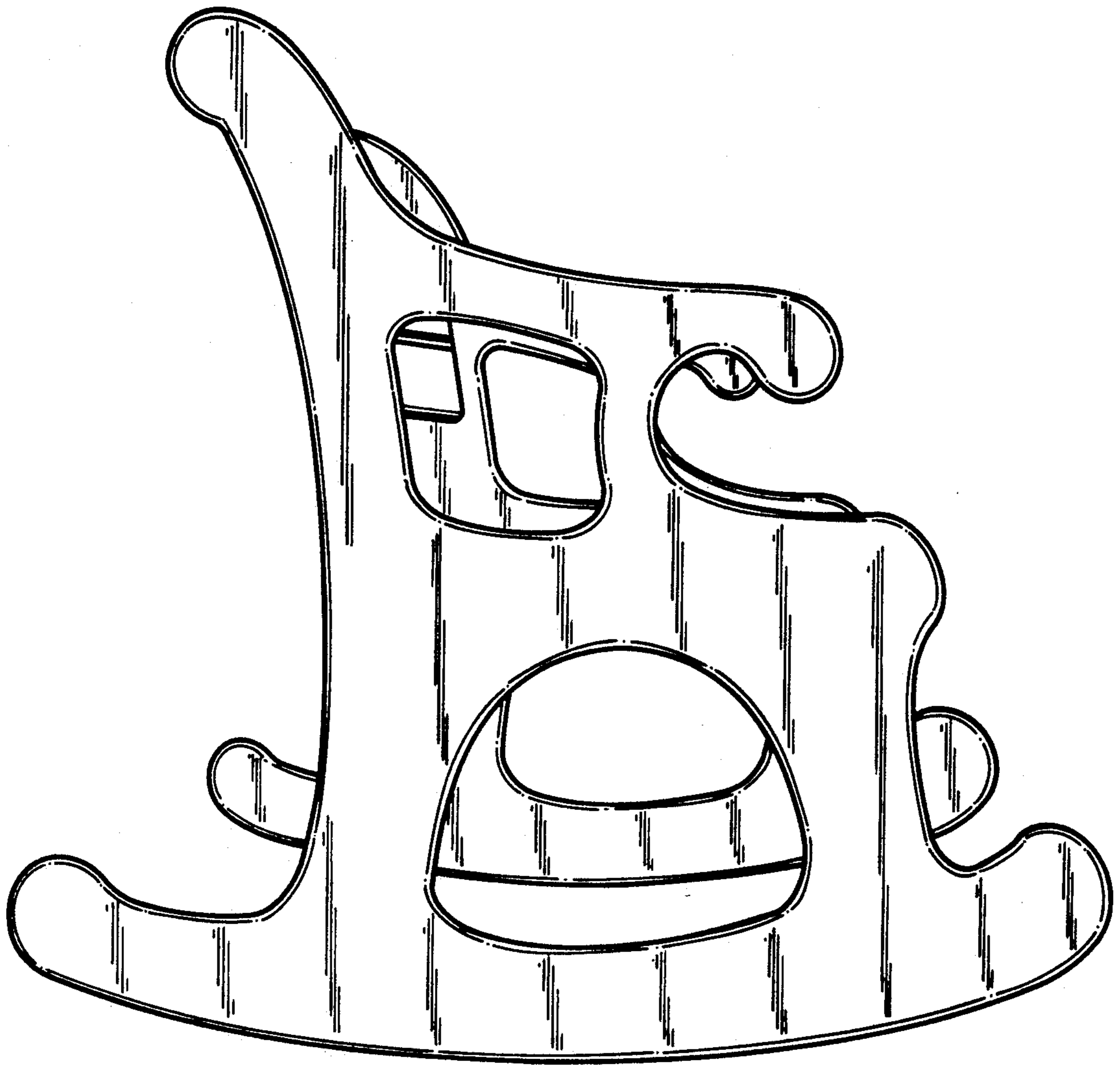
FIG. 2



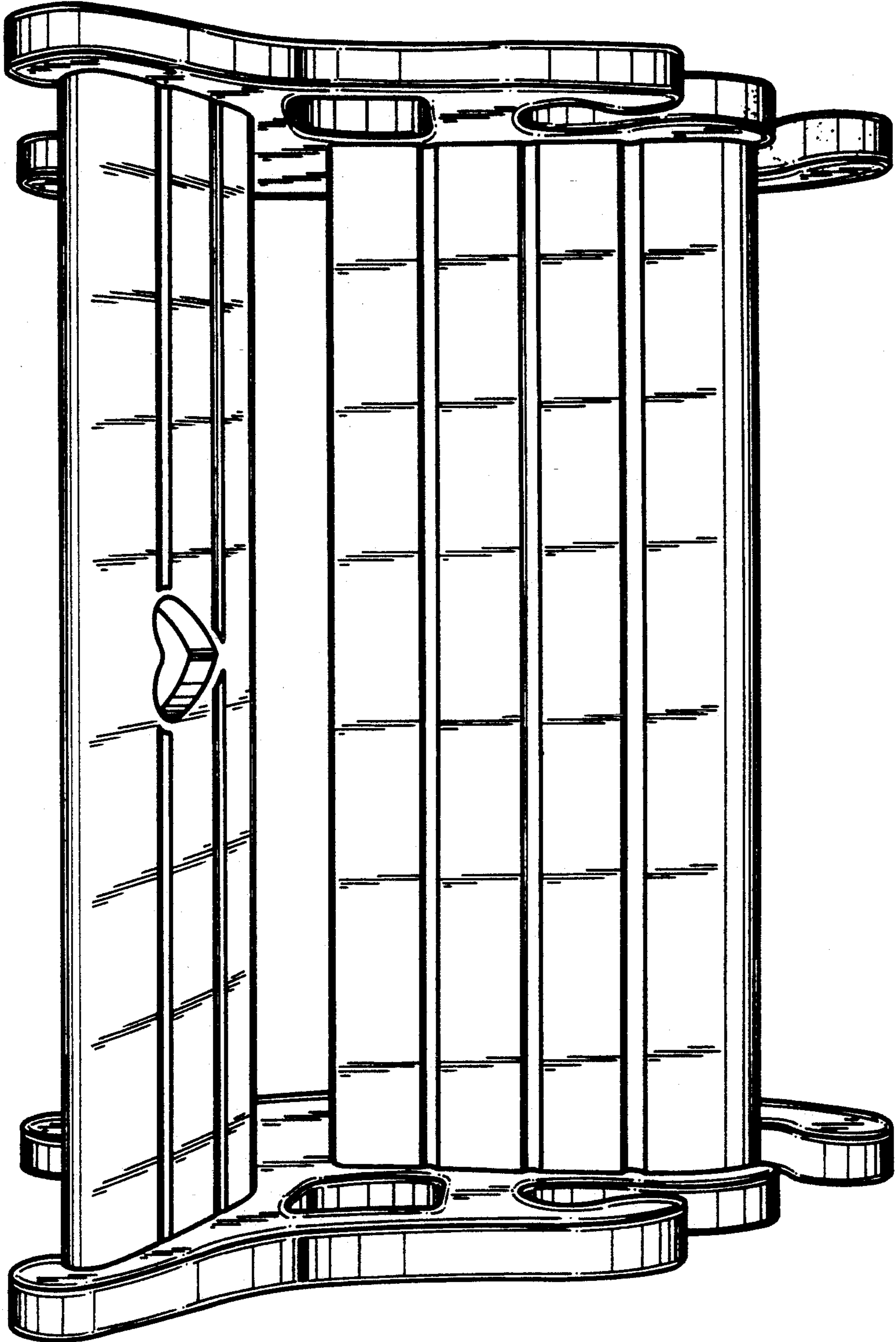
—FIG. 3



—FIG. 4



—FIG. 5



—FIG. 6

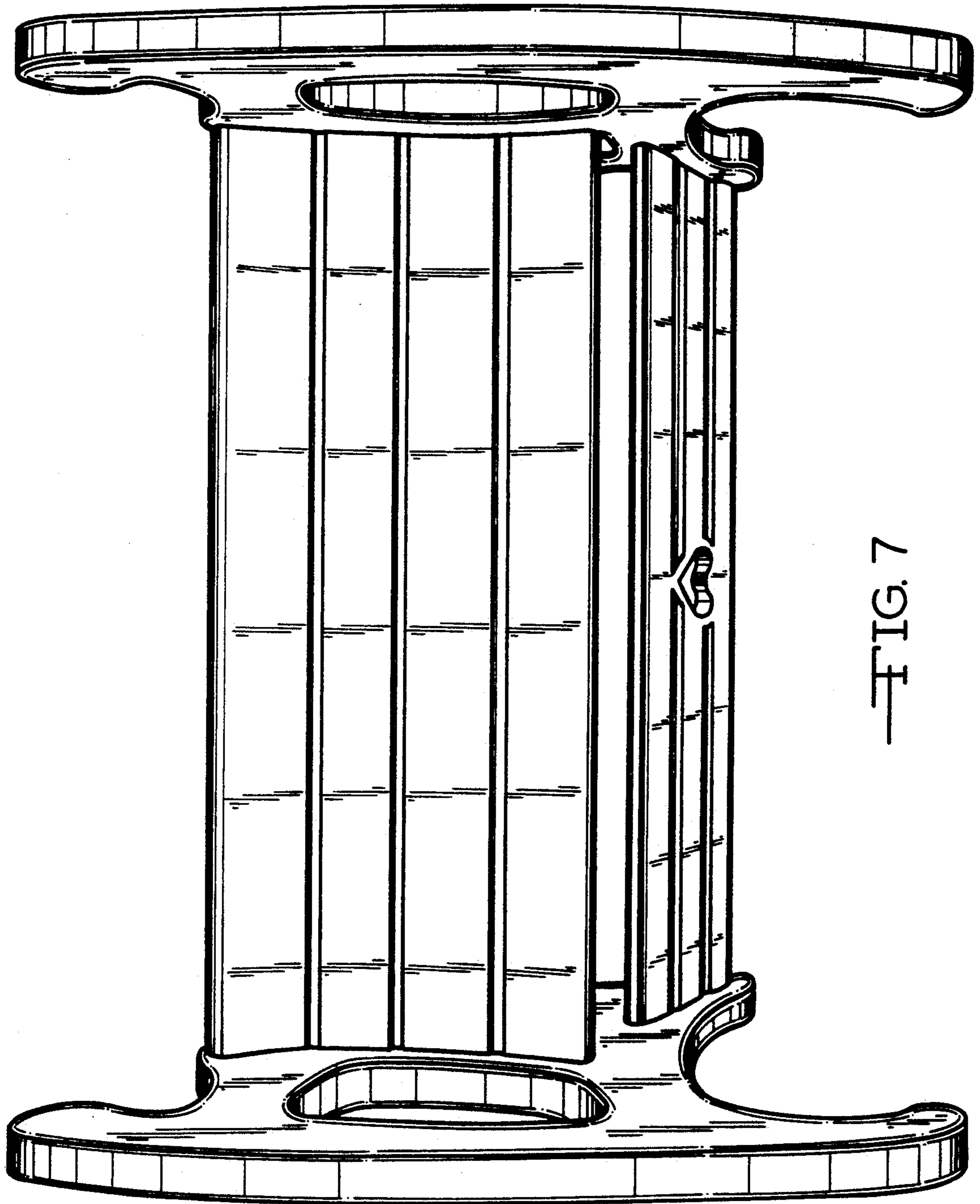


FIG. 7