



US00D338342S

United States Patent [19]

[11] Patent Number: Des. 338,342

Froidevaux

[45] Date of Patent: ** Aug. 17, 1993

[54] COMBINED WALL MOUNTED
MAGNIFYING AND ILLUMINATING
MIRROR

D. 292,043 9/1987 Billiet D6/300
2,091,203 8/1937 Hay 248/467
4,057,535 1/1978 Rose 248/471

[75] Inventor: Jean-Marie Froidevaux, Carouge,
Switzerland

FOREIGN PATENT DOCUMENTS

373652 1/1964 Switzerland 248/467

[73] Assignee: Aliseo Diffusion S.A., Switzerland

Primary Examiner—Bernard Ansher
Assistant Examiner—Adir Aronovich
Attorney, Agent, or Firm—Davis, Bujold & Streck

[**] Term: 14 Years

[21] Appl. No.: 518,200

[22] Filed: May 3, 1990

[57] CLAIM

The ornamental design for a combined wall mounted magnifying and illuminating mirror, as shown.

[30] Foreign Application Priority Data

Dec. 19, 1989 [IB] Int'l Pat. Institute DM/015380

DESCRIPTION

[52] U.S. Cl. D6/308; D6/300

[58] Field of Search D6/300-303,
D6/308, 309, 312, 536; D28/64.1-64.7;
248/467, 471, 475.1; 362/135, 142; 359/871

FIG. 1 is a perspective view of a combined wall mounted magnifying and illuminating mirror embodying my new design;

FIG. 2 is a bottom plan view thereof;

FIG. 3 is a front elevational view thereof;

FIG. 4 is a top plan view thereof;

FIG. 5 is a right side elevational view thereof;

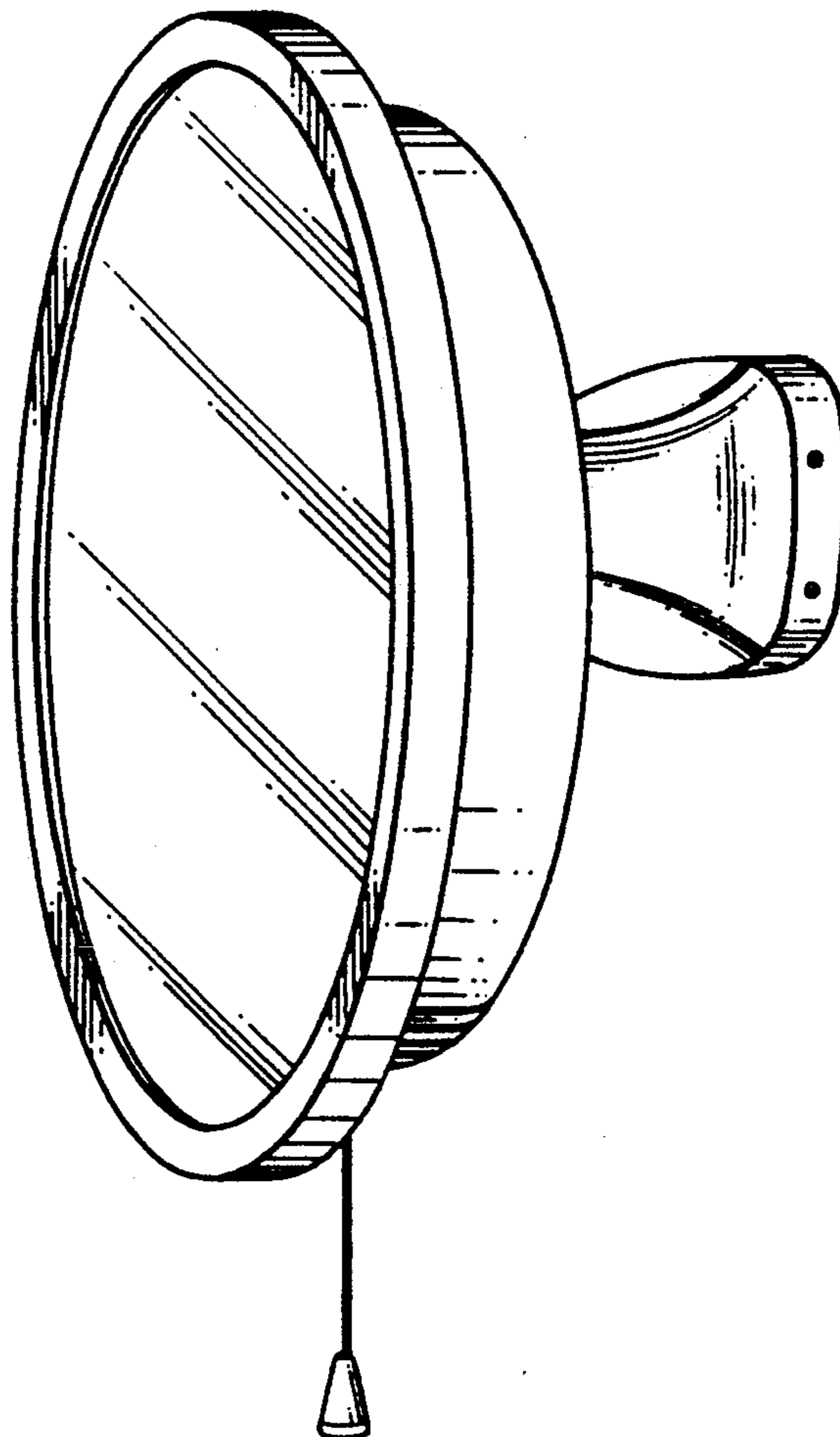
FIG. 6 is a rear elevational view thereof; and,

FIG. 7 is a left side elevational view thereof.

[56] References Cited

U.S. PATENT DOCUMENTS

D. 225,585 12/1972 Stahl D28/64.3
D. 258,317 2/1981 Portyrata D28/64.3



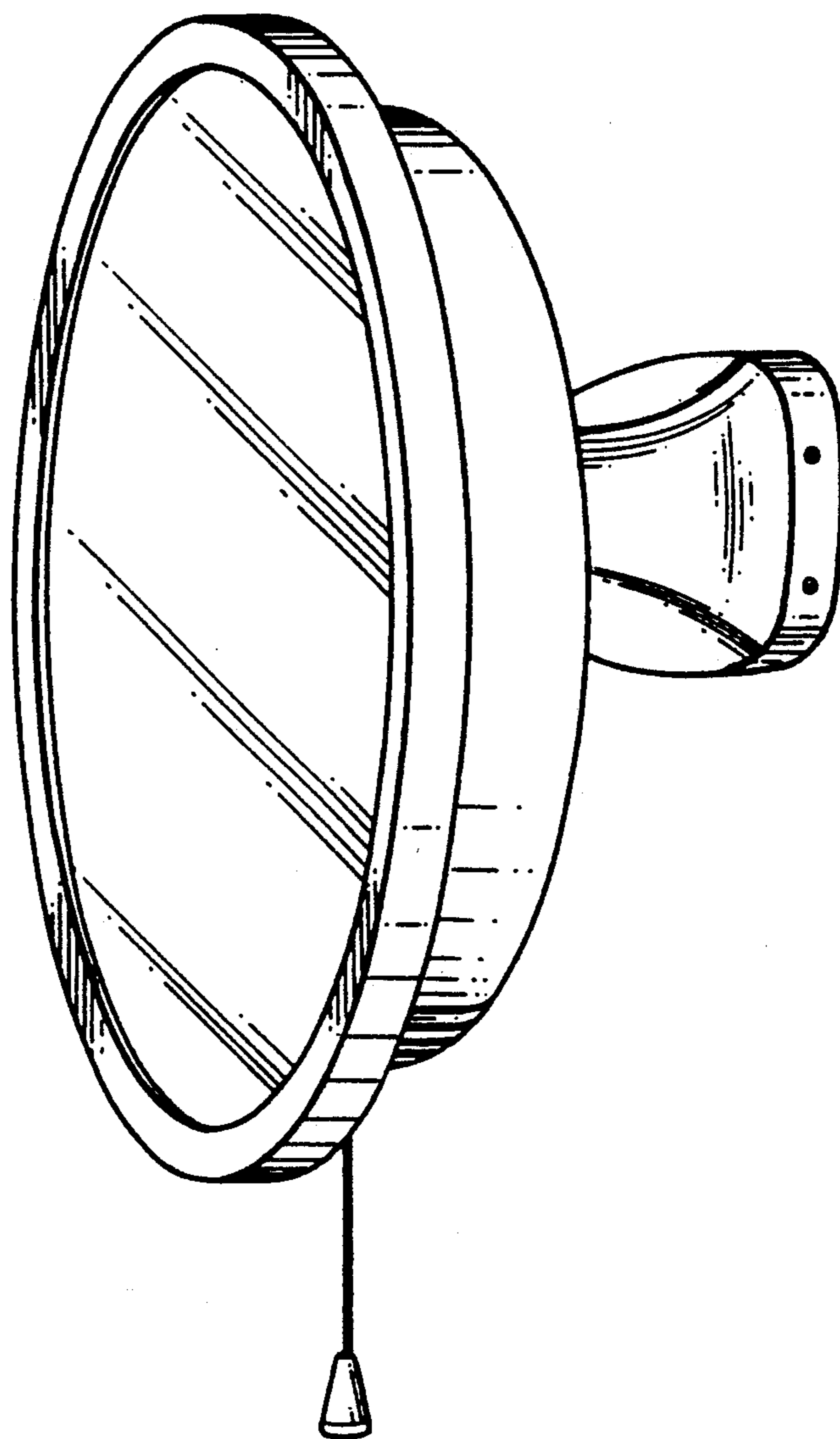


FIG. 1

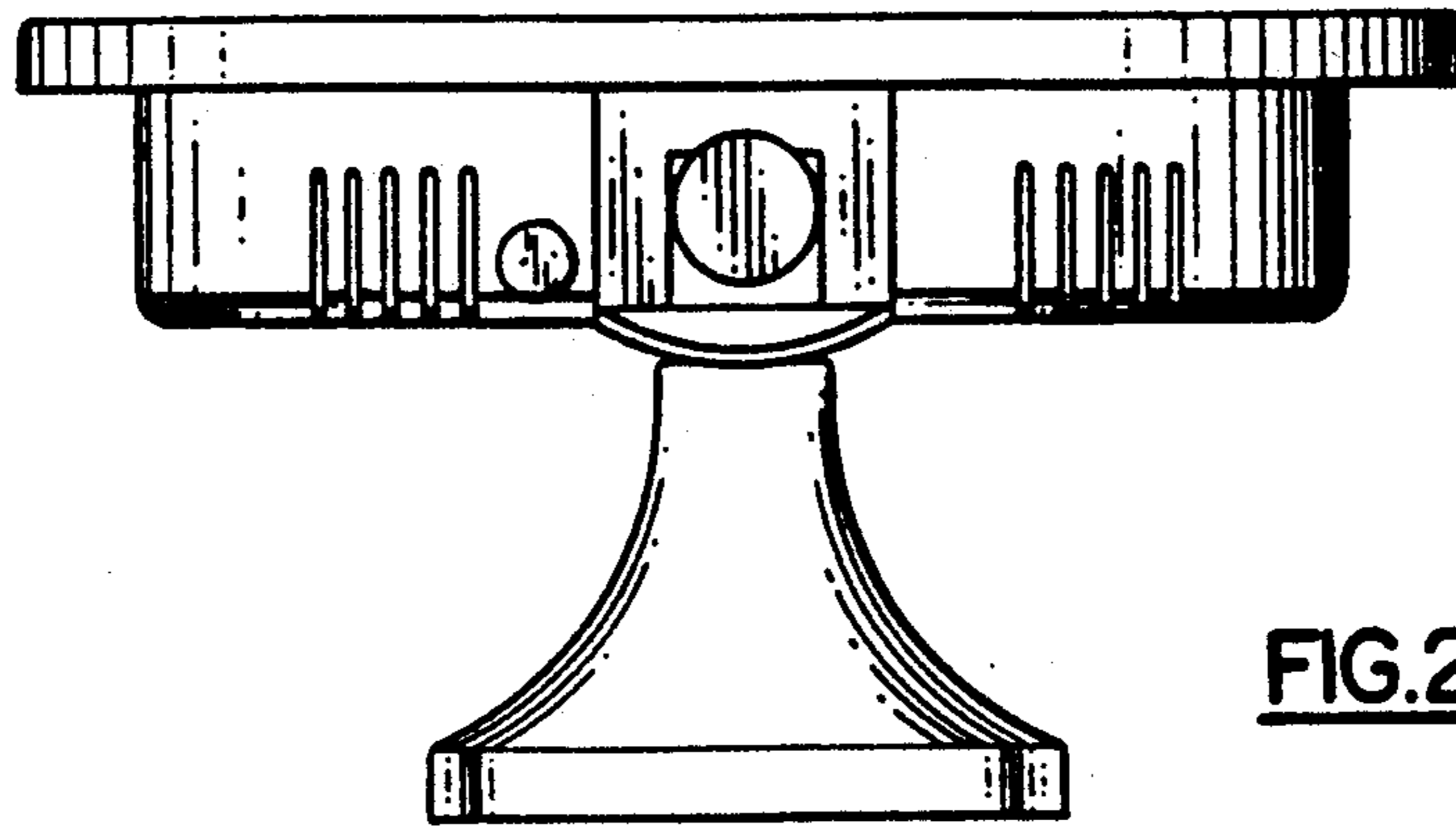


FIG. 2

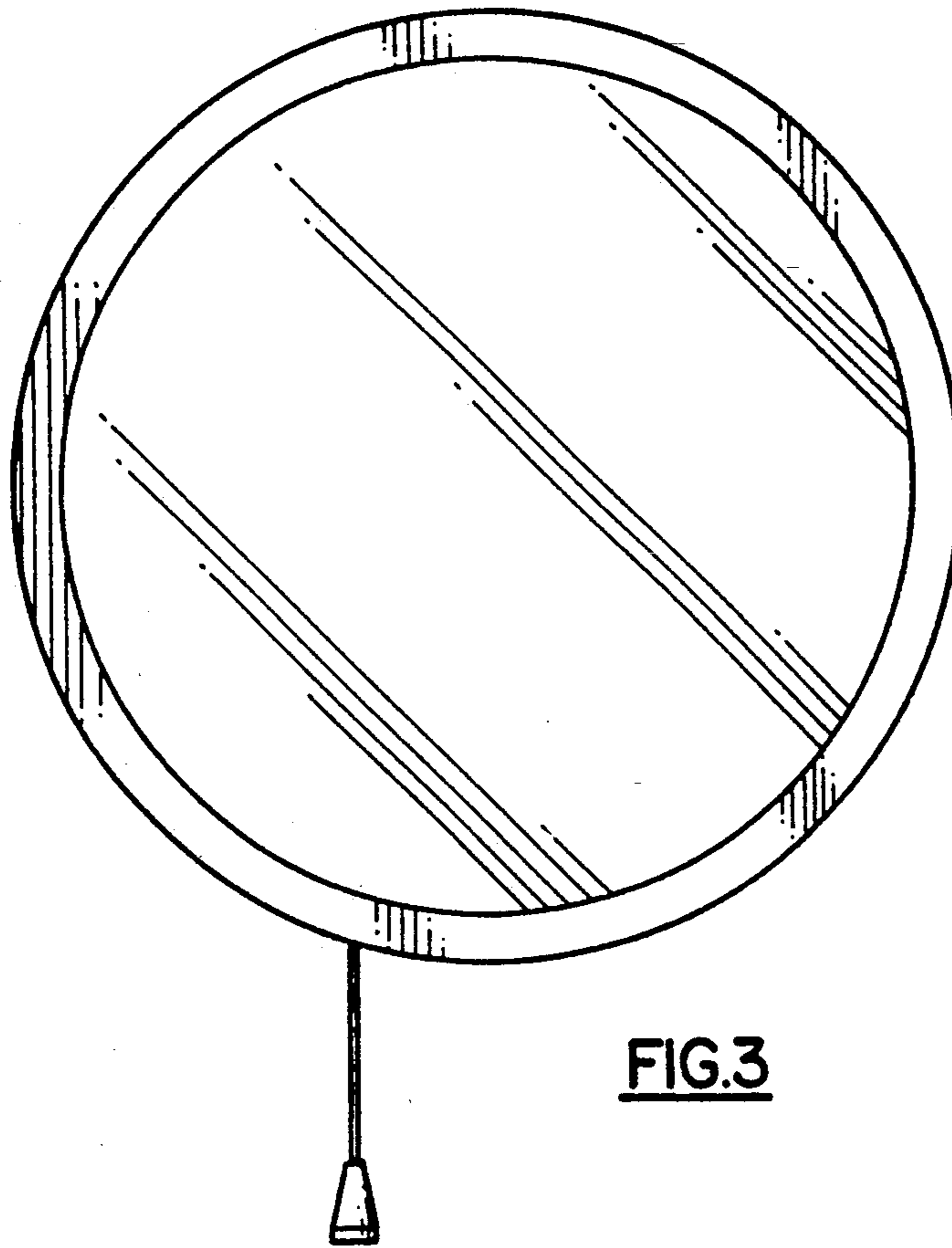


FIG. 3

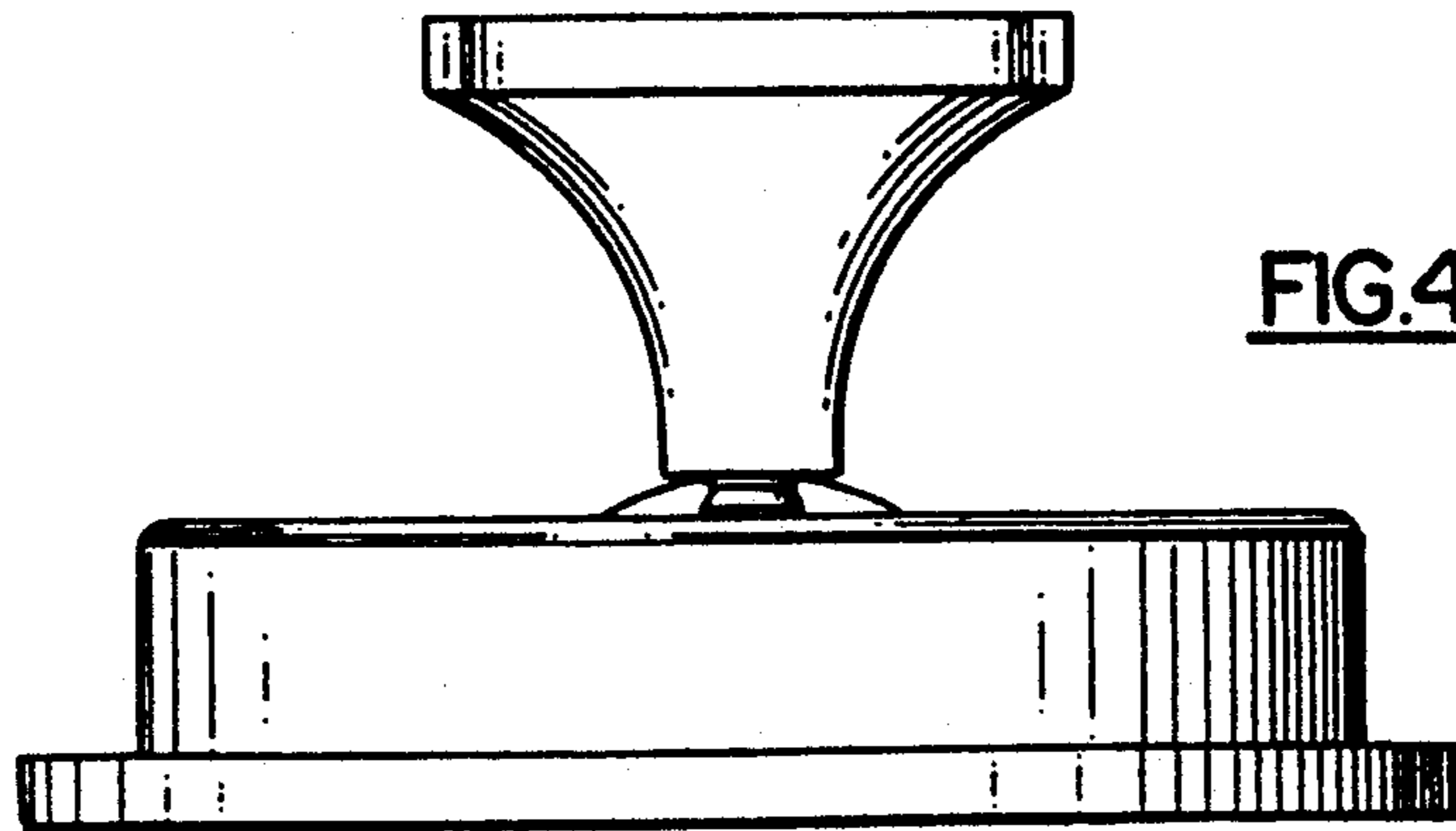


FIG. 4

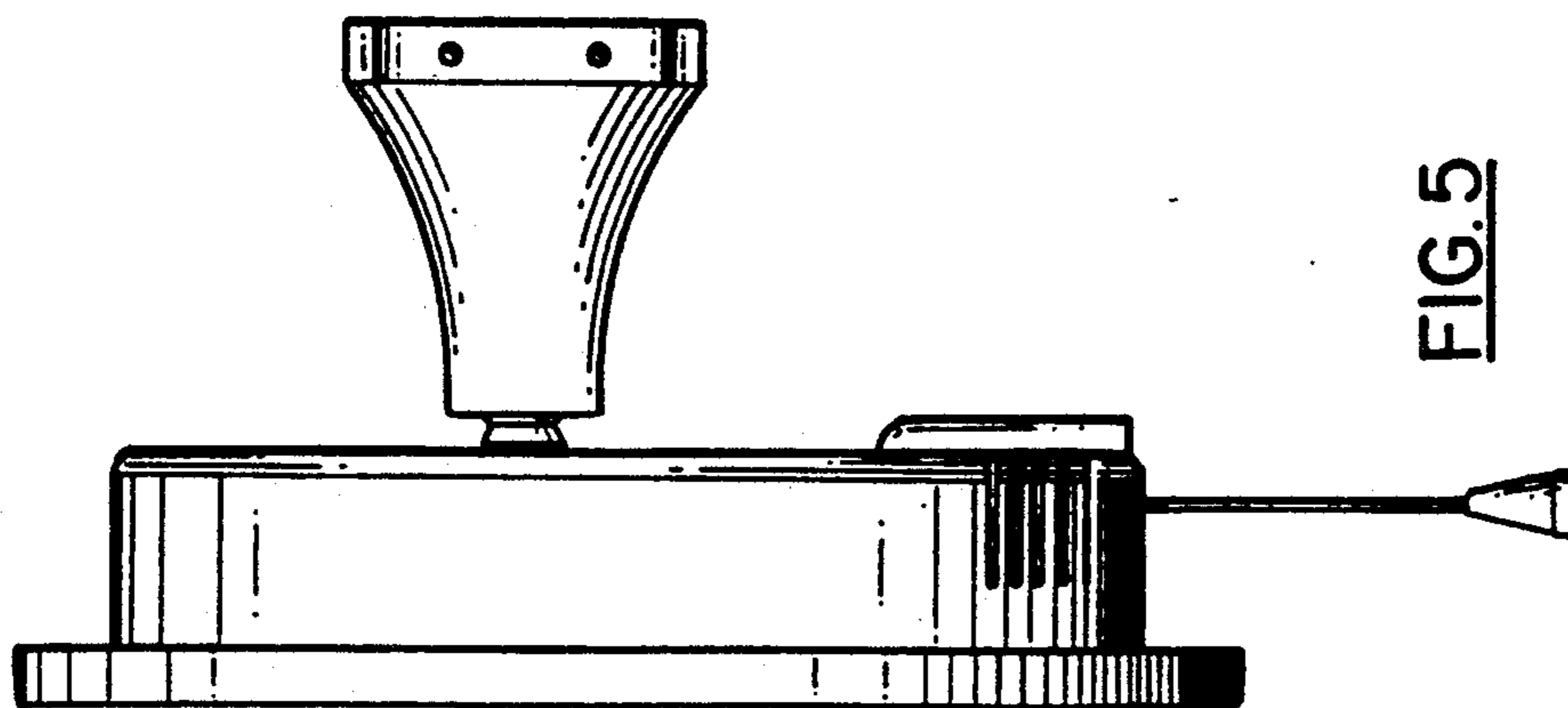


FIG. 5

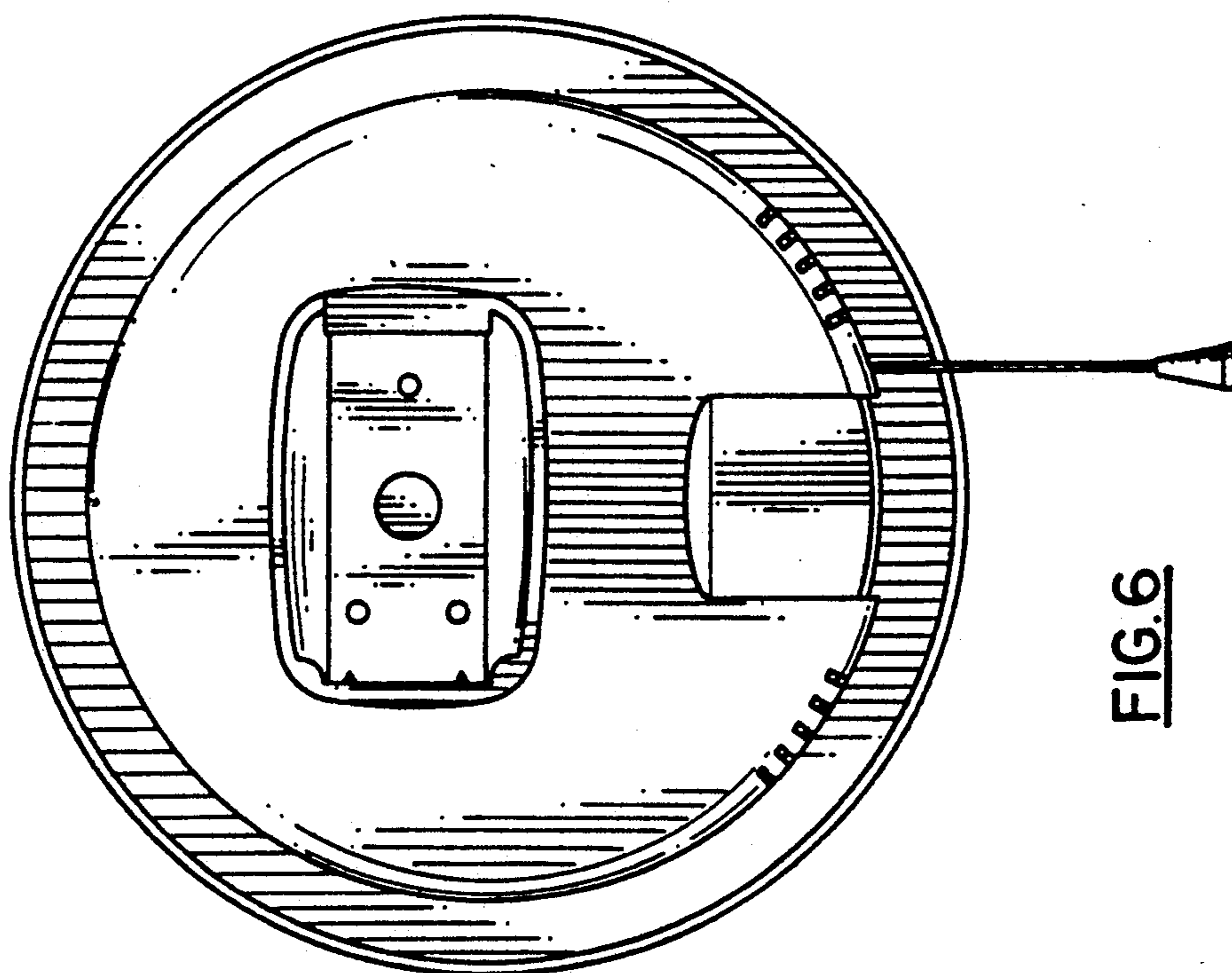


FIG. 6

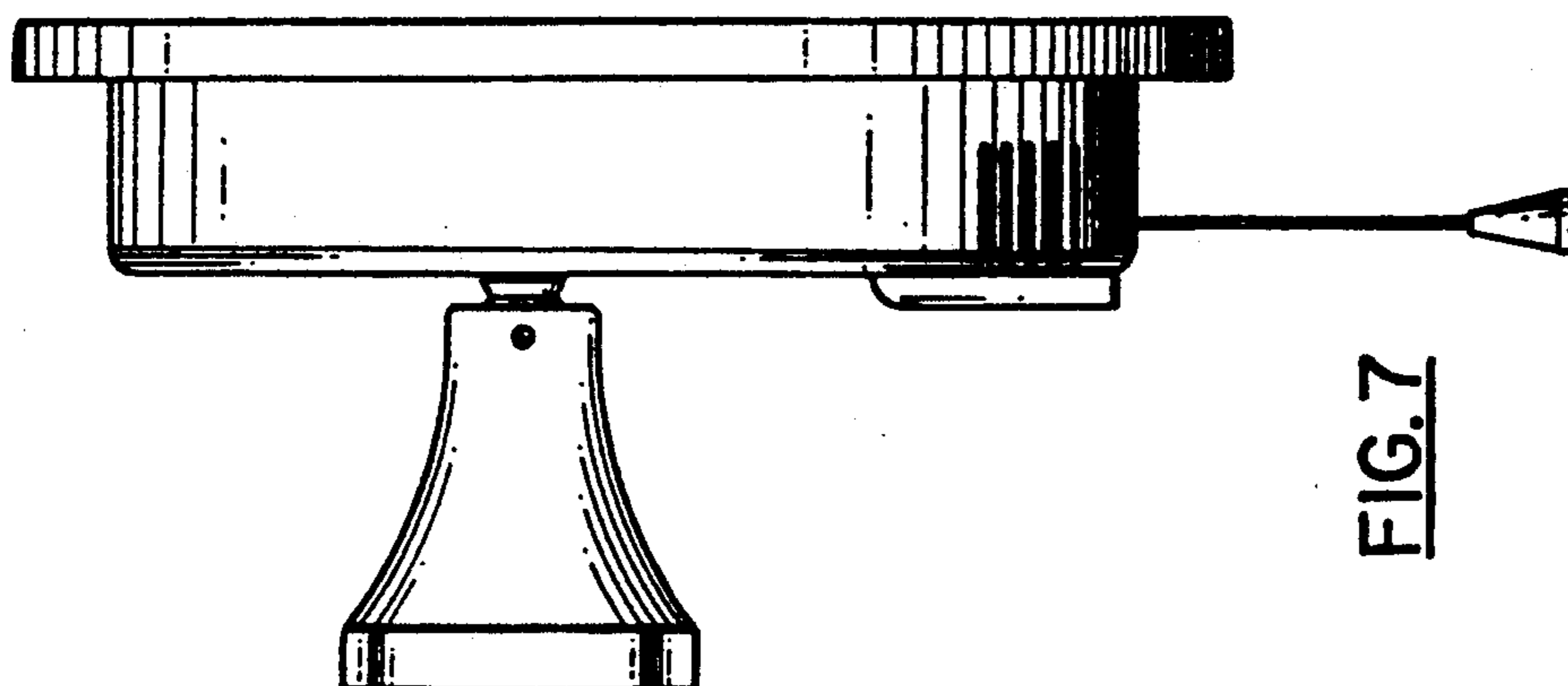


FIG. 7