



US00D338337S

# United States Patent [19]

[11] Patent Number: **Des. 338,337**

Roe, Jr.

[45] Date of Patent: **\*\* Aug. 17, 1993**

[54] **COMBINED ORGANIZER AND CARRIER FOR CIRCULAR SAW BLADES**

3,053,424	9/1962	Reinhard	294/158
4,993,770	2/1991	Groves	294/158
5,078,266	1/1992	Rackley	206/349

[76] Inventor: **Dorise S. Roe, Jr., 419 W. 6th St., Monroe, Mich. 48161**

*Primary Examiner—A. Hugo Word  
Assistant Examiner—Celia A. Murphy  
Attorney, Agent, or Firm—Terry M. Gernstein*

[\*\*] Term: **14 Years**

[21] Appl. No.: **684,647**

[57] **CLAIM**

[22] Filed: **Apr. 12, 1991**

The ornamental design for a combined organizer and carrier for circular saw blades, as shown and described.

[52] U.S. Cl. .... **D3/73; D3/30.1; D3/105**

**DESCRIPTION**

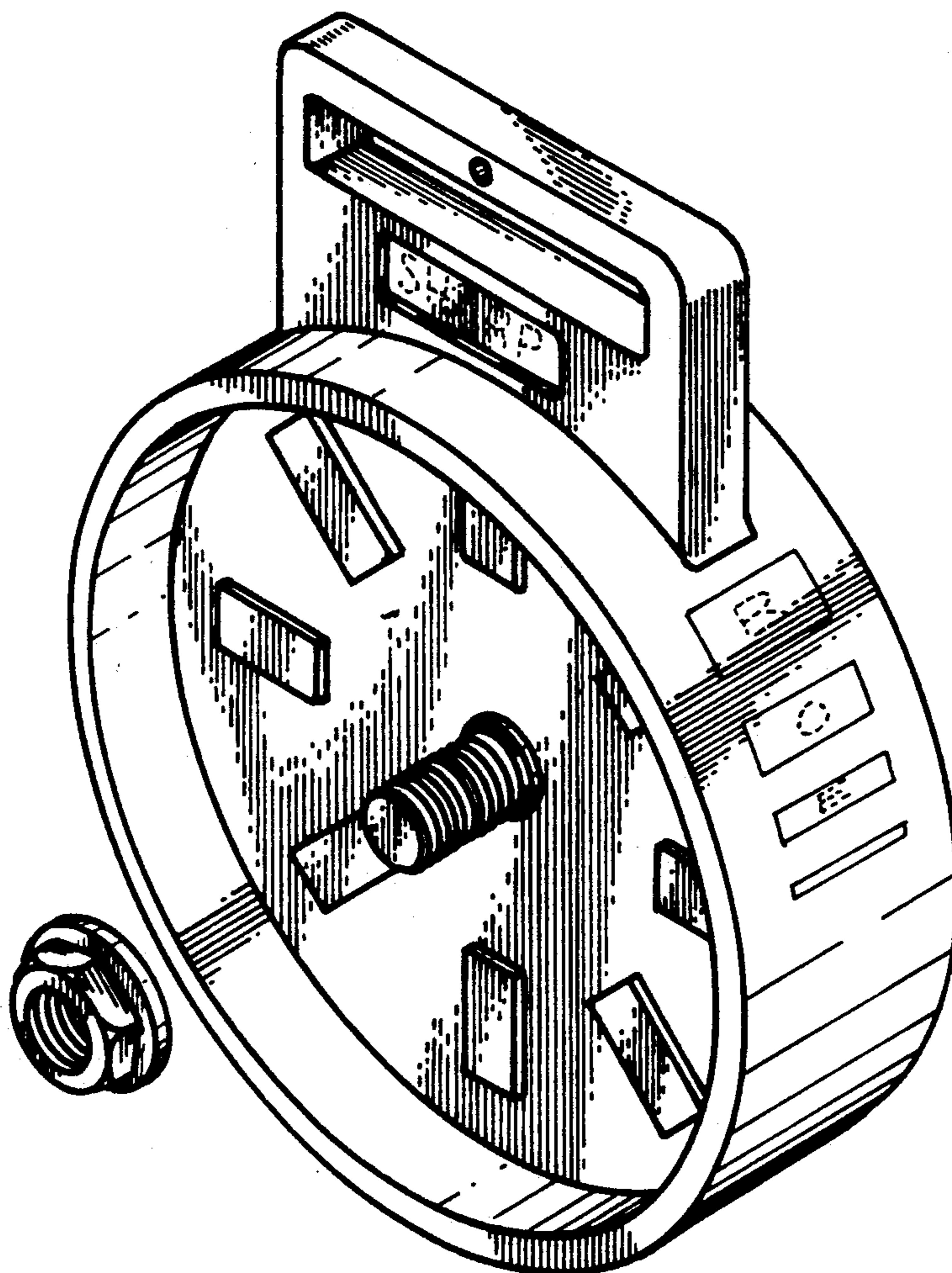
[58] Field of Search ..... **D3/30.1, 73, 105; 206/349; 294/158; D8/71, 76**

FIG. 1 is an exploded perspective view of a combined organizer and carrier for circular saw blades showing my new design, the broken lines showing legible indicia in FIGS. 1 through 5 being for illustrative purposes only and forming no part of the claimed design; FIG. 2 is a side elevational view thereof, the side opposite being a mirror image of the side shown in FIG. 2; FIG. 3 is a rear elevational view thereof; FIG. 4 is a front elevational view thereof; FIG. 5 is a top plan view thereof; and, FIG. 6 is a bottom view thereof.

[56] **References Cited**

**U.S. PATENT DOCUMENTS**

D. 255,730	7/1980	McLean	D3/30.1
D. 271,918	12/1983	Ramirez	D3/73
D. 310,912	10/1990	Dennis	D3/73
D. 314,471	2/1991	Lueth	D3/73
D. 314,665	2/1991	Wu et al.	D3/73
D. 320,697	10/1991	Eggan	D3/73
D. 332,867	2/1993	Blake, Jr.	D3/73



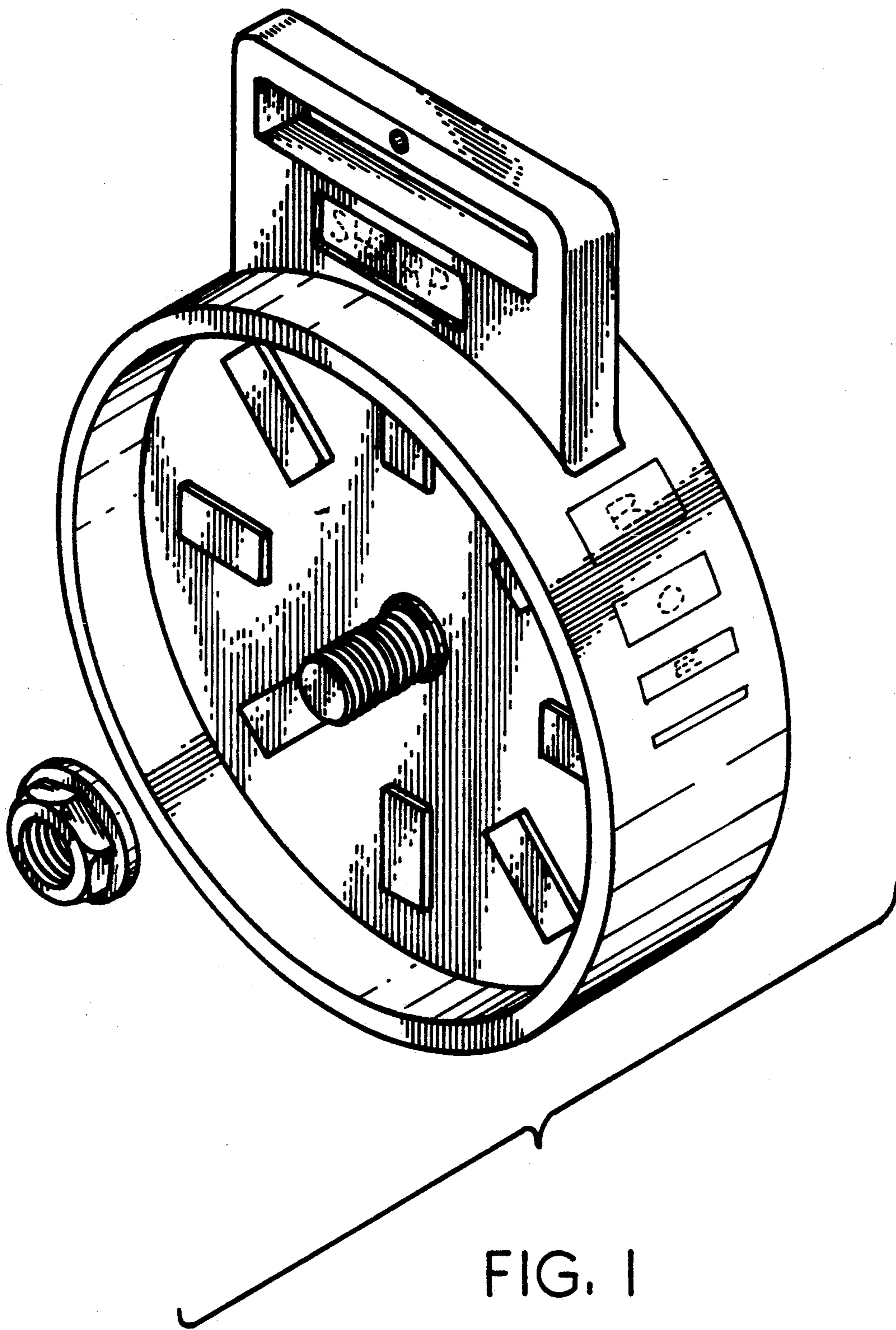


FIG. 1

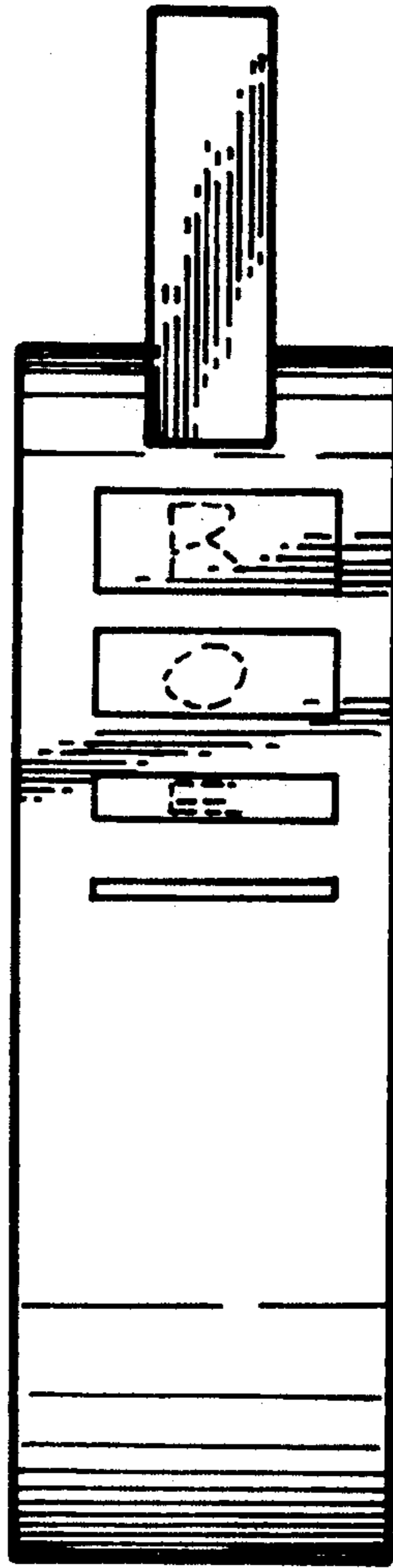


FIG. 2

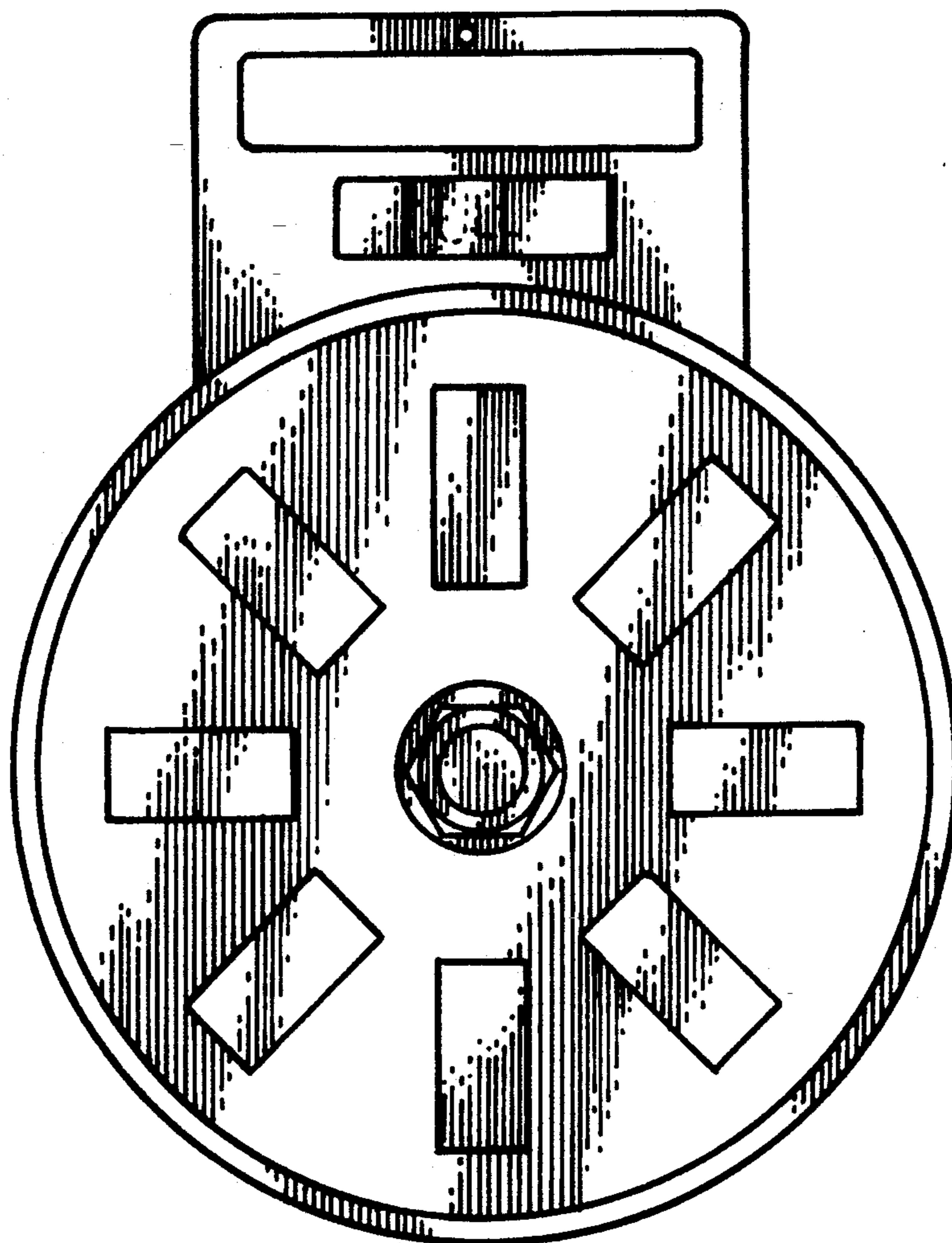


FIG. 3

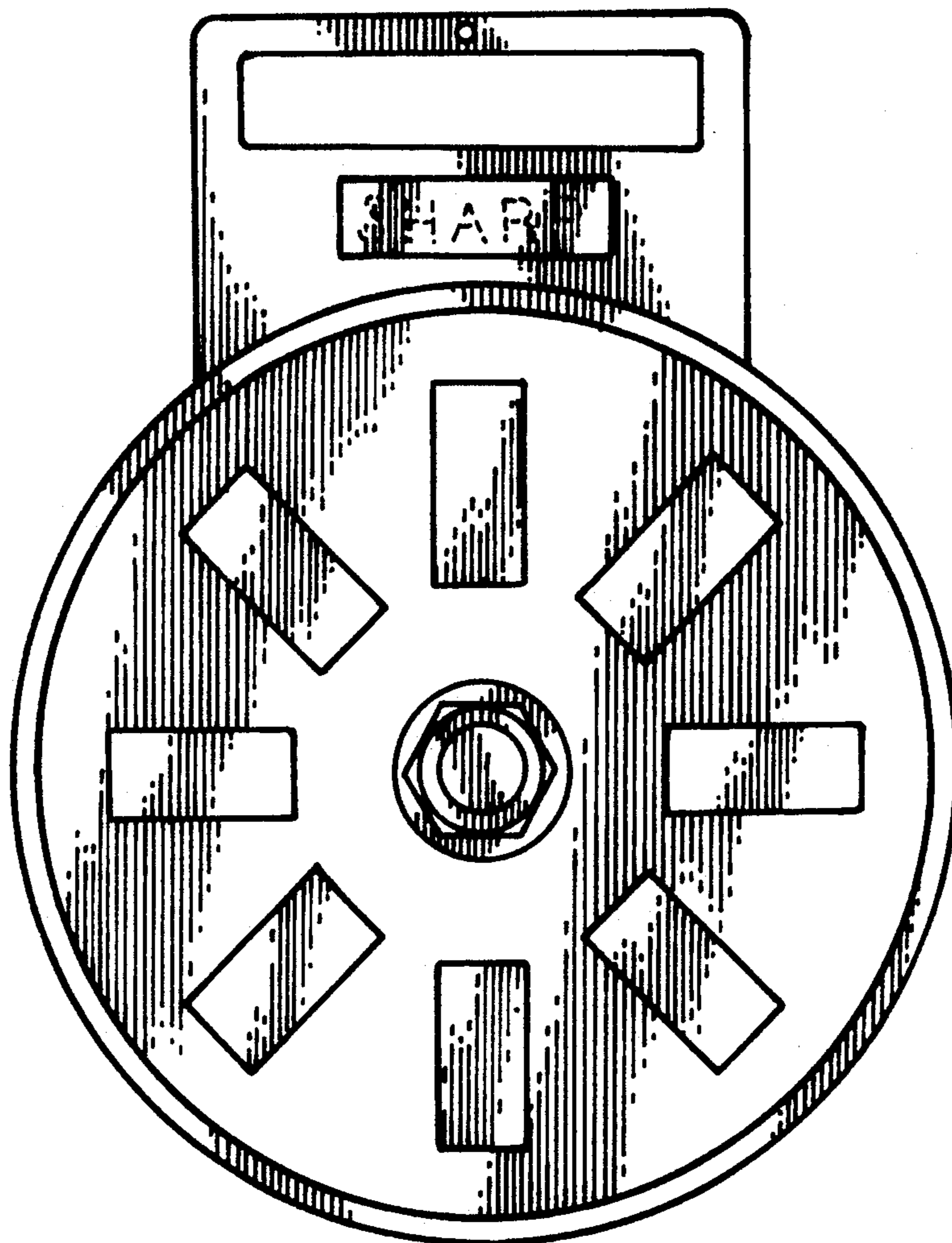


FIG. 4

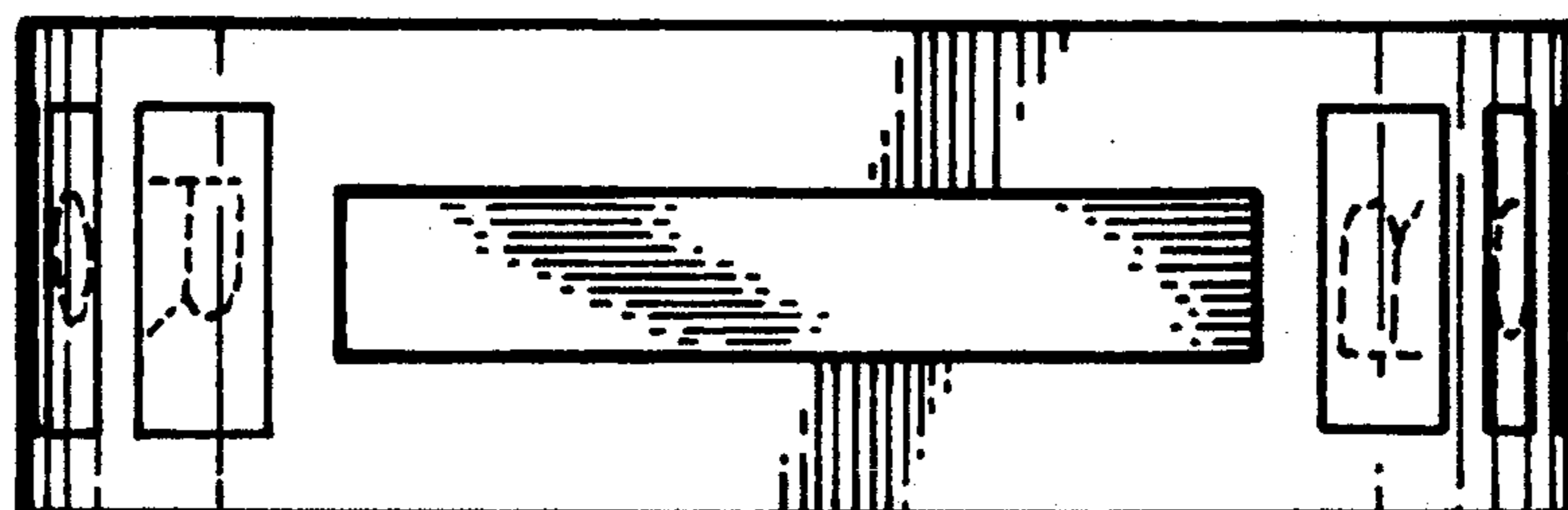


FIG. 5

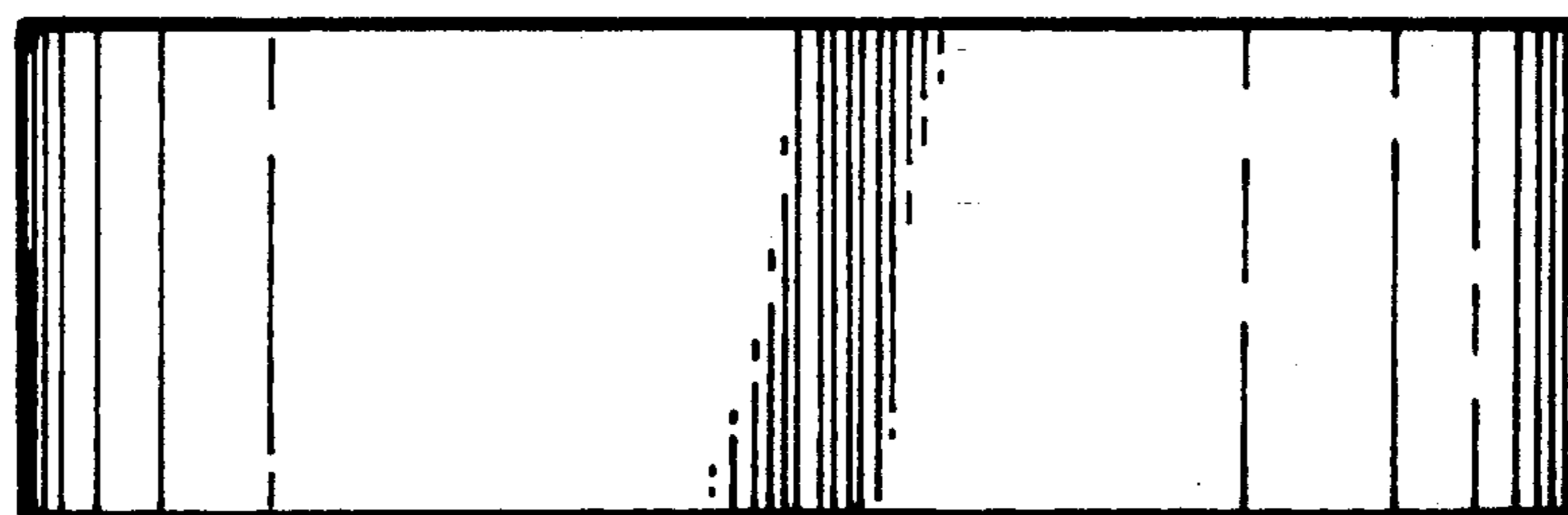


FIG. 6