



US00D338331S

United States Patent [19]

[11] Patent Number: **Des. 338,331**

Kin-Man Tse

[45] Date of Patent: **** Aug. 17, 1993**

[54] **STORAGE BOX FOR DISKETTES**

[75] Inventor: **Michael Kin-Man Tse, Kowloon, Hong Kong**

[73] Assignee: **STD Plastic Industrial Ltd., Hong Kong**

[**] Term: **14 Years**

[21] Appl. No.: **619,699**

[22] Filed: **Nov. 29, 1990**

[30] **Foreign Application Priority Data**

Jul. 24, 1990 [GB] United Kingdom 2008506

[52] U.S. Cl. **D3/35; D3/30.1; D19/76**

[58] Field of Search **D3/30.1, 35; D6/407; D9/340, 341; D19/75, 76; D34/45, 46; 206/309, 310, 311, 312, 313, 387, 444, 564; 211/40; 312/8, 19, 183**

[56] **References Cited**

U.S. PATENT DOCUMENTS

D. 267,911 2/1983 Long et al. D19/76

D. 283,948	5/1986	Clouser et al.	D3/35
D. 285,216	8/1986	Roskuist	D19/76
D. 288,145	2/1987	Northrup et al.	D19/76
D. 293,279	12/1987	Evans	D19/76
D. 312,839	12/1990	Neimeth	D19/75
D. 317,409	6/1991	Chiarella	D3/30.1

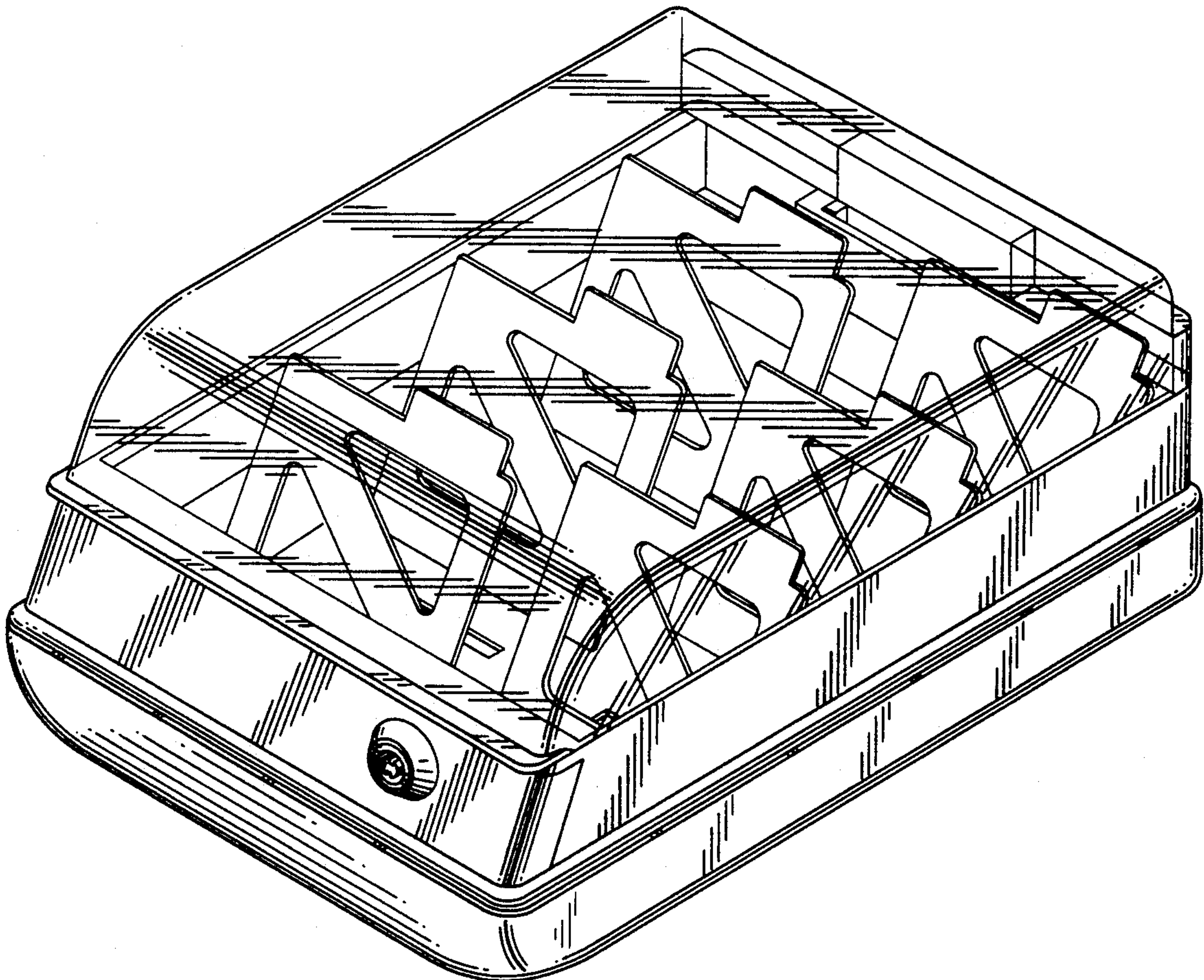
Primary Examiner—A. Hugo Word
Assistant Examiner—Celia A. Murphy
Attorney, Agent, or Firm—Burns, Doane, Swecker & Mathis

[57] **CLAIM**

The ornamental design for a storage box for diskettes, as shown and described.

DESCRIPTION

FIG. 1 is a perspective view of a storage box for diskettes showing my new design;
FIG. 2 is a front elevational view thereof;
FIG. 3 is a rear elevational view thereof;
FIG. 4 is a left side elevational view thereof;
FIG. 5 is a right side elevational view thereof;
FIG. 6 is a top plan view thereof; and,
FIG. 7 is a bottom plan view thereof.



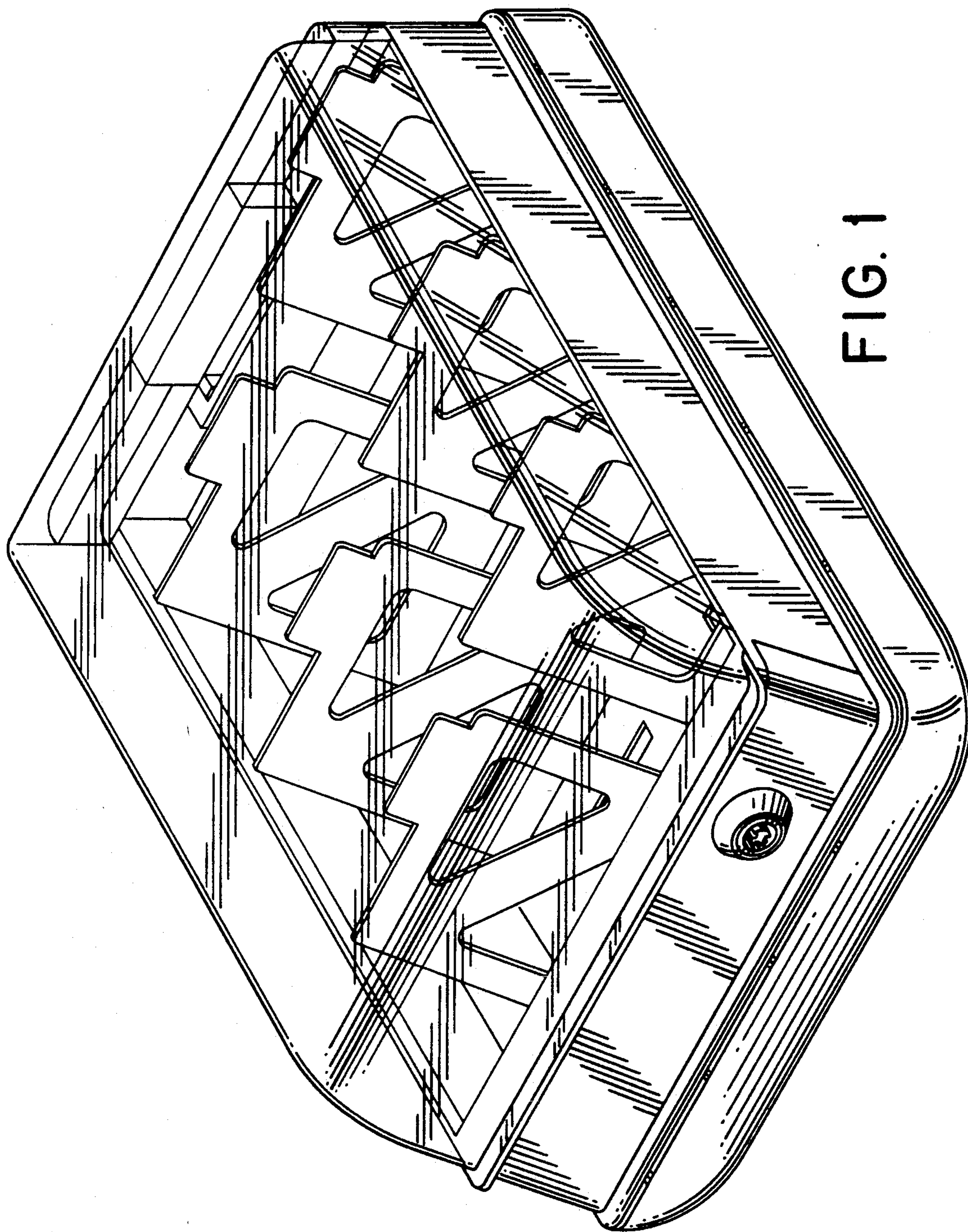


FIG. 1

FIG. 2

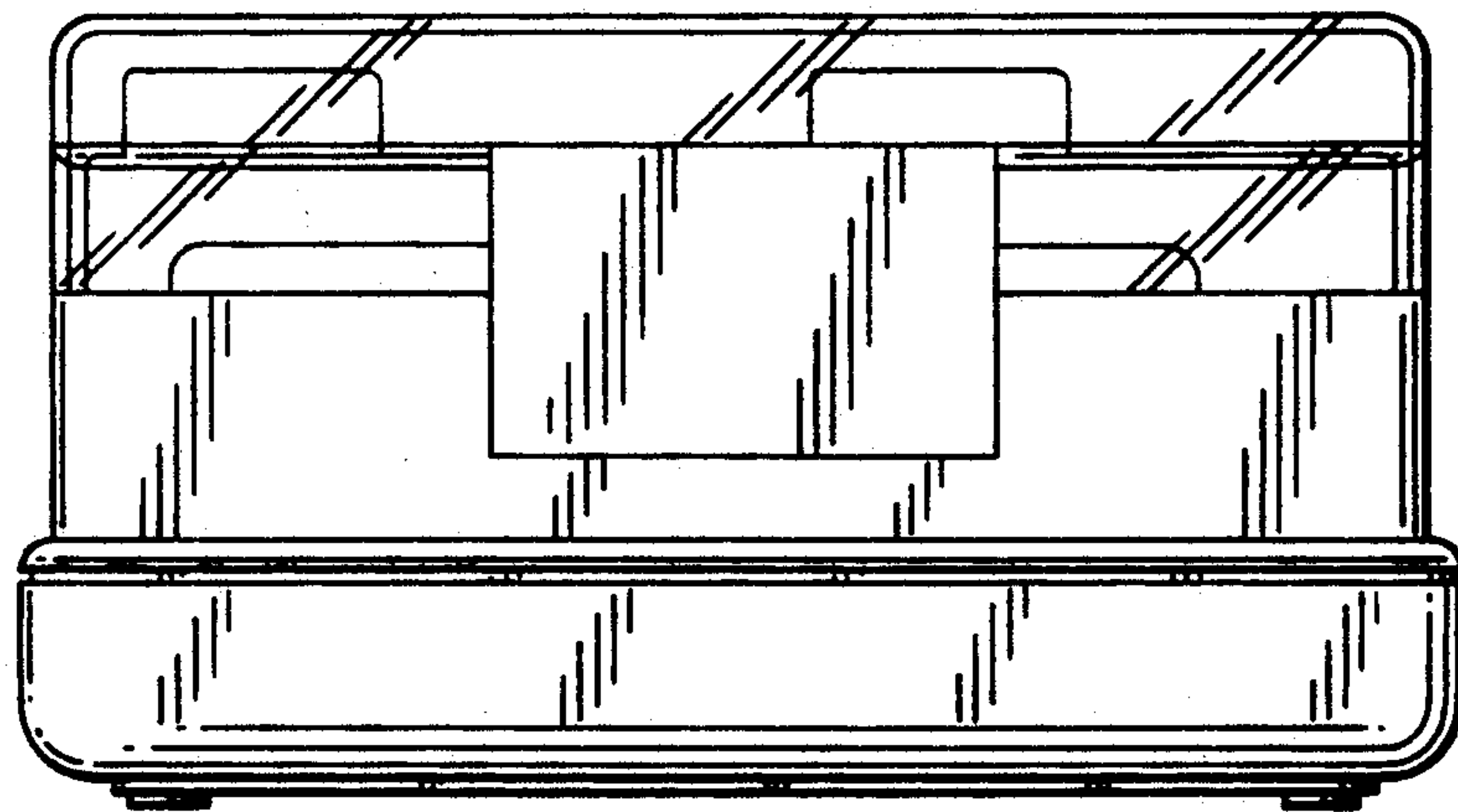
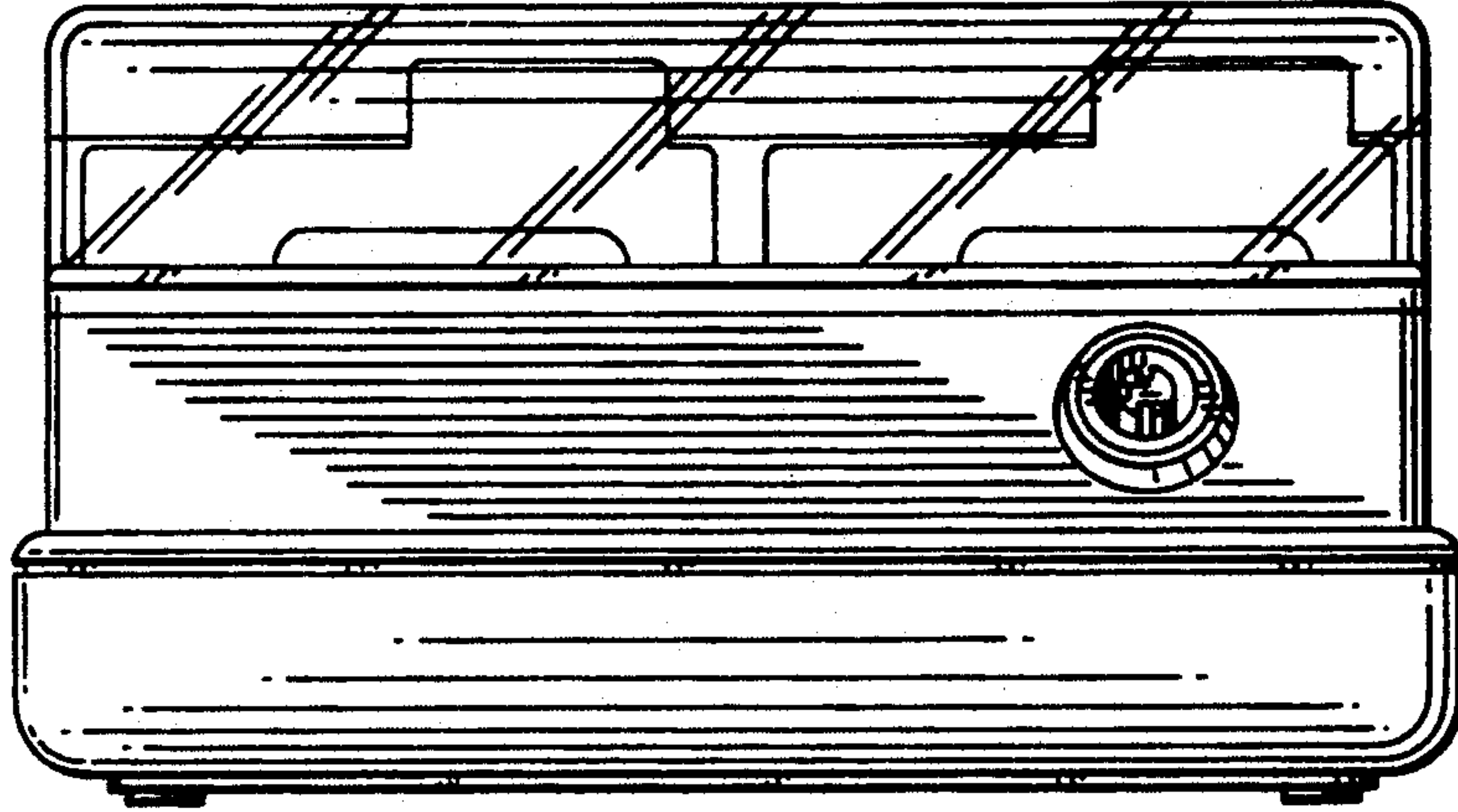


FIG. 3

FIG. 4

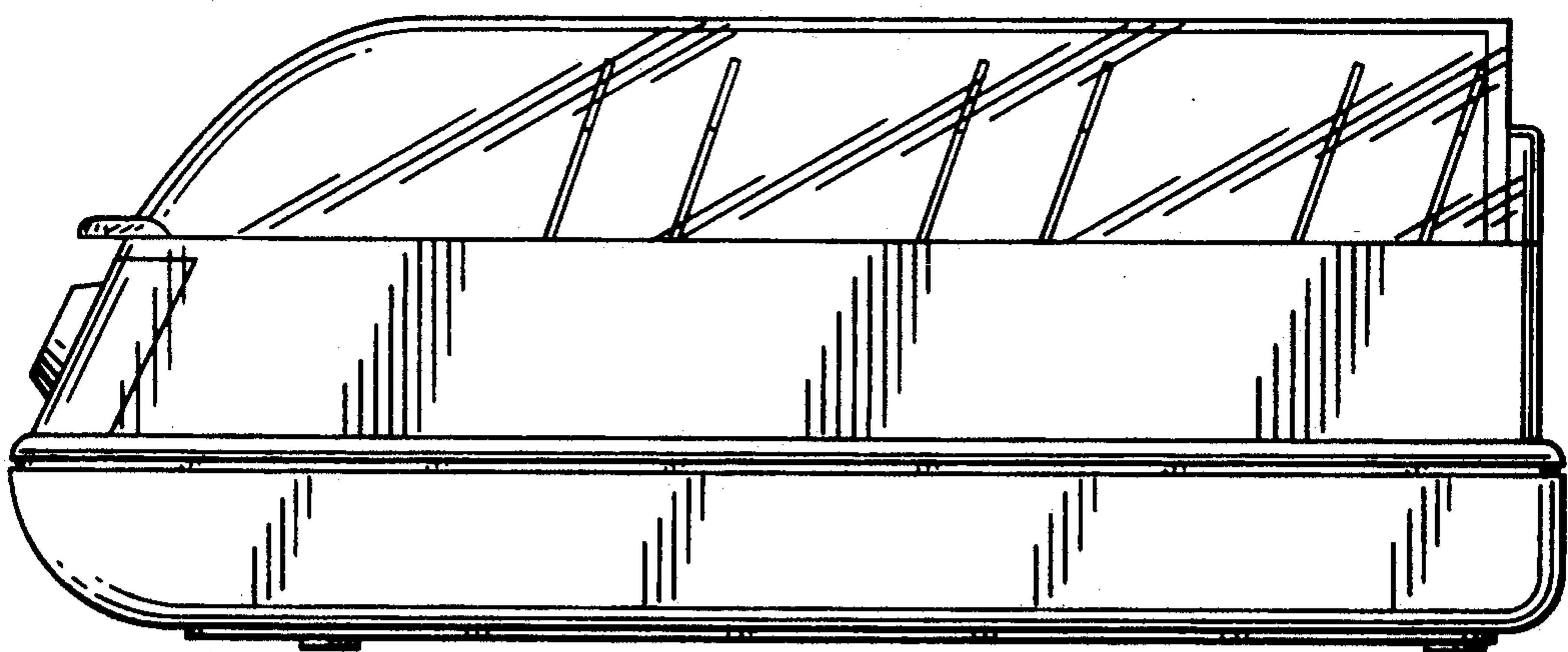
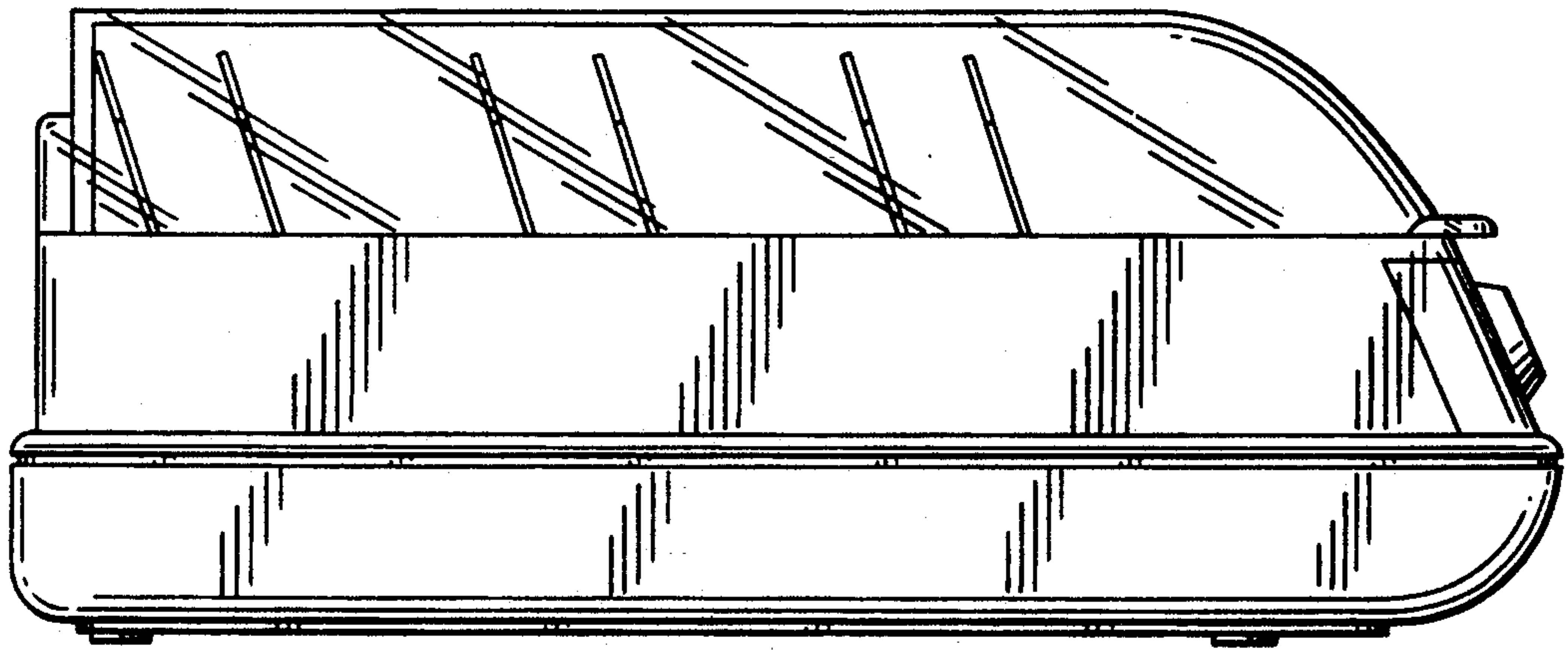


FIG. 5

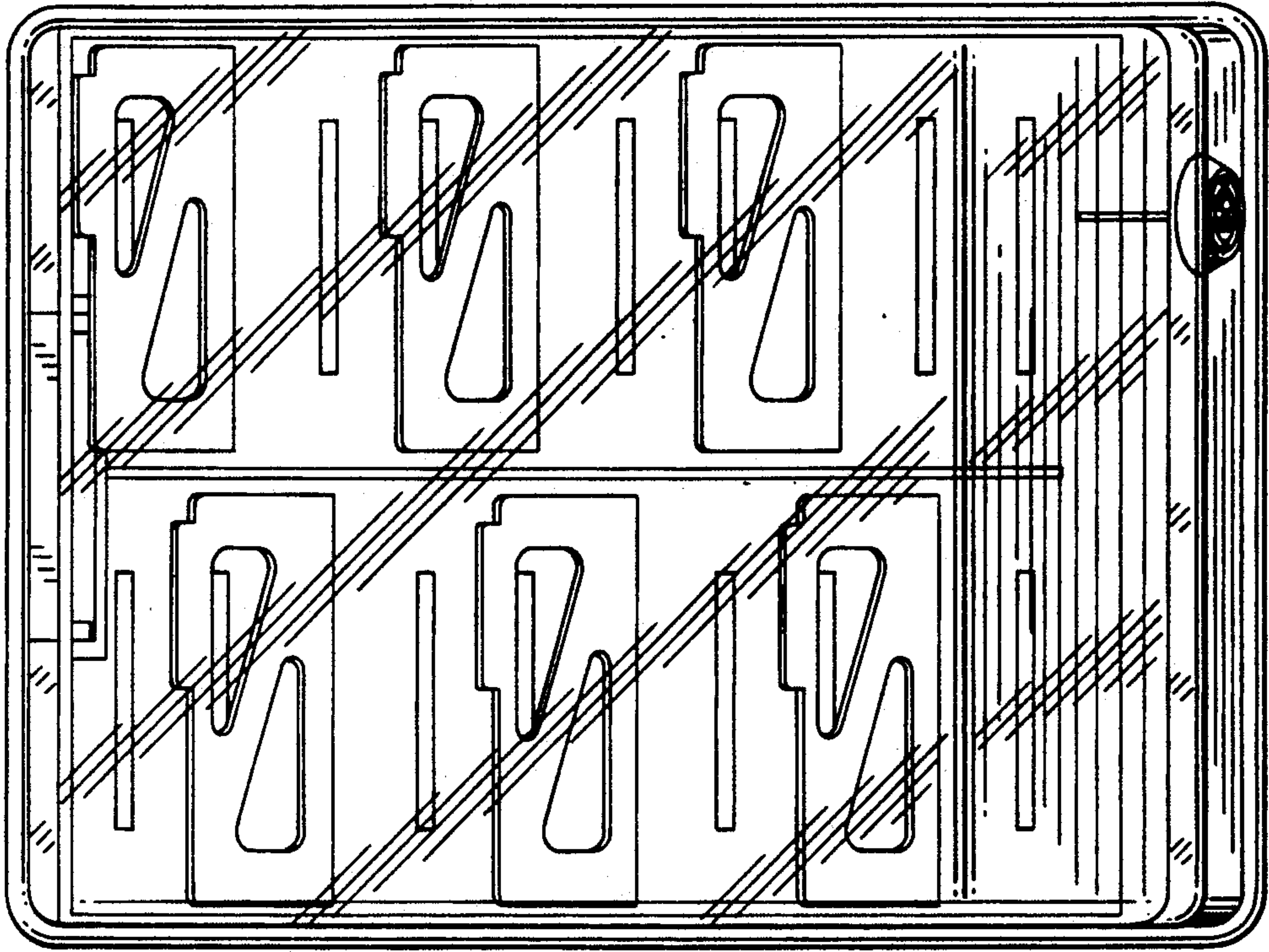


FIG. 6

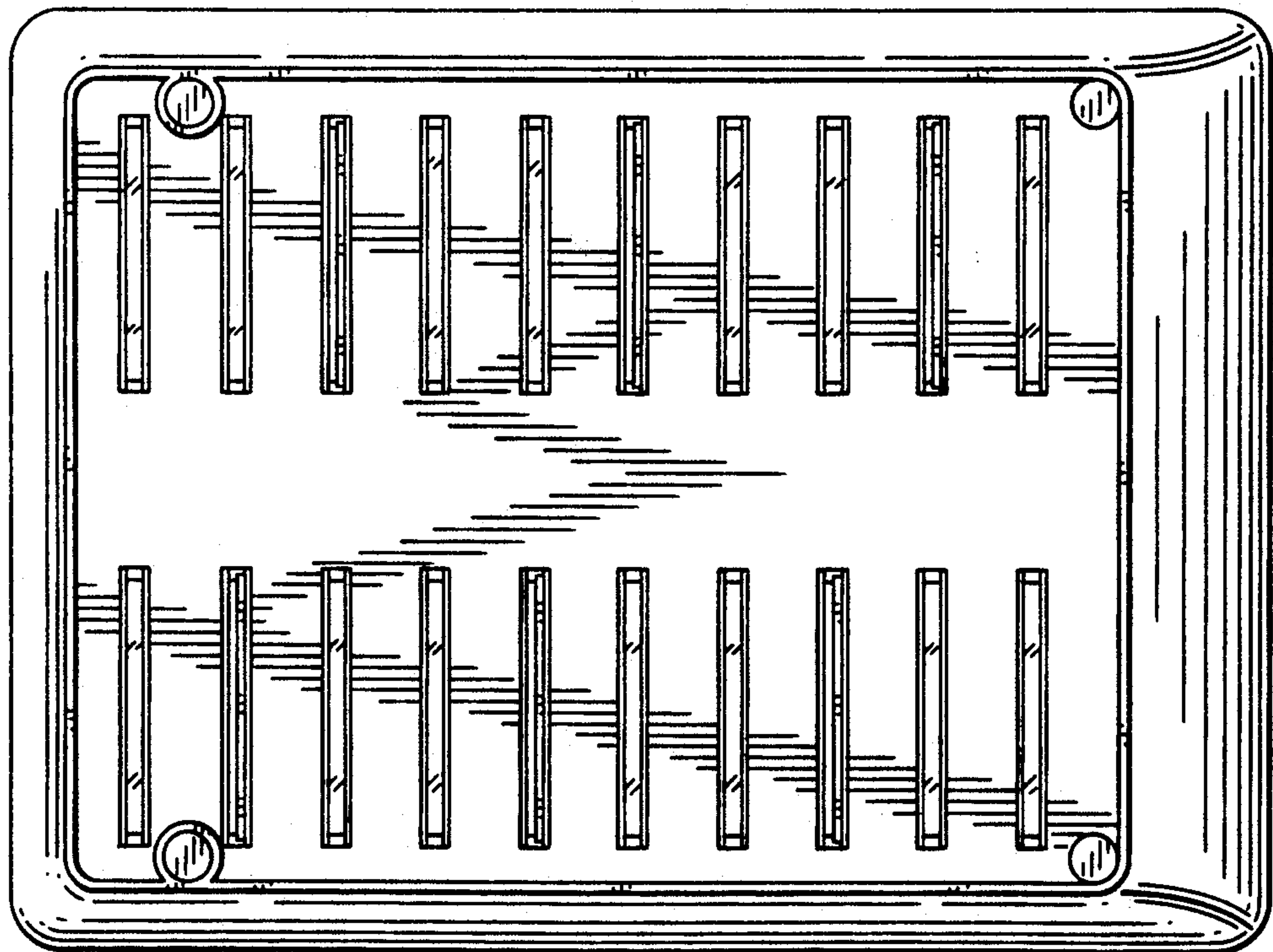


FIG. 7