



US00D338328S

United States Patent [19]

[11] Patent Number: **Des. 338,328**

King

[45] Date of Patent: **** Aug. 17, 1993**

[54] **MAGNETIC HOLDER FOR THREAD BOBBIN AND BOBBIN SHAPED METAL OBJECT**

935,420 9/1909 Smith 223/108

[76] Inventor: **Feather W. King, 165 Reiten Dr., Ashland, Oreg. 97520**

[**] Term: **14 Years**

[21] Appl. No.: **699,944**

[22] Filed: **May 14, 1991**

[52] U.S. Cl. **D3/23**

[58] Field of Search **D3/18-21, D3/23-26, 28; D15/66-78; D19/81, 83; 242/46.4, 118, 129.5, 130; 211/162, DIG. 1; 223/106, 108, 109 A, 120**

[56] **References Cited**

U.S. PATENT DOCUMENTS

D. 156,459	12/1949	Reynolds	D3/23
D. 156,462	12/1949	Reynolds	D3/23
D. 163,226	5/1951	Renwick	D3/23
D. 185,045	4/1959	Slaton	D19/83
D. 263,184	3/1982	Meehan, III	D3/24
D. 269,446	6/1983	Pirovano	D19/83

OTHER PUBLICATIONS

Miles Kimball Co Catalog 1964, p. 15, Bobbin Box, #5893-3, left side.

Primary Examiner—Bernard Ansher
Assistant Examiner—Sandra Morris
Attorney, Agent, or Firm—Thomas M. Freiburger

[57] **CLAIM**

The ornamental design for a magnetic holder for thread bobbin and bobbin shaped metal object, as shown.

DESCRIPTION

FIG. 1 is a perspective view showing a magnetic holder for thread bobbin and bobbin shaped metal object, according to my new design;
FIG. 2 is a reduced front elevational view thereof, the rear being identical, the broken line showing of a bobbin is for illustrative purposes only, and forms no part of the claimed design;
FIG. 3 is a further reduced top plan view thereof;
FIG. 4 is a left or right side elevation view thereof; and,
FIG. 5 is a bottom view thereof.

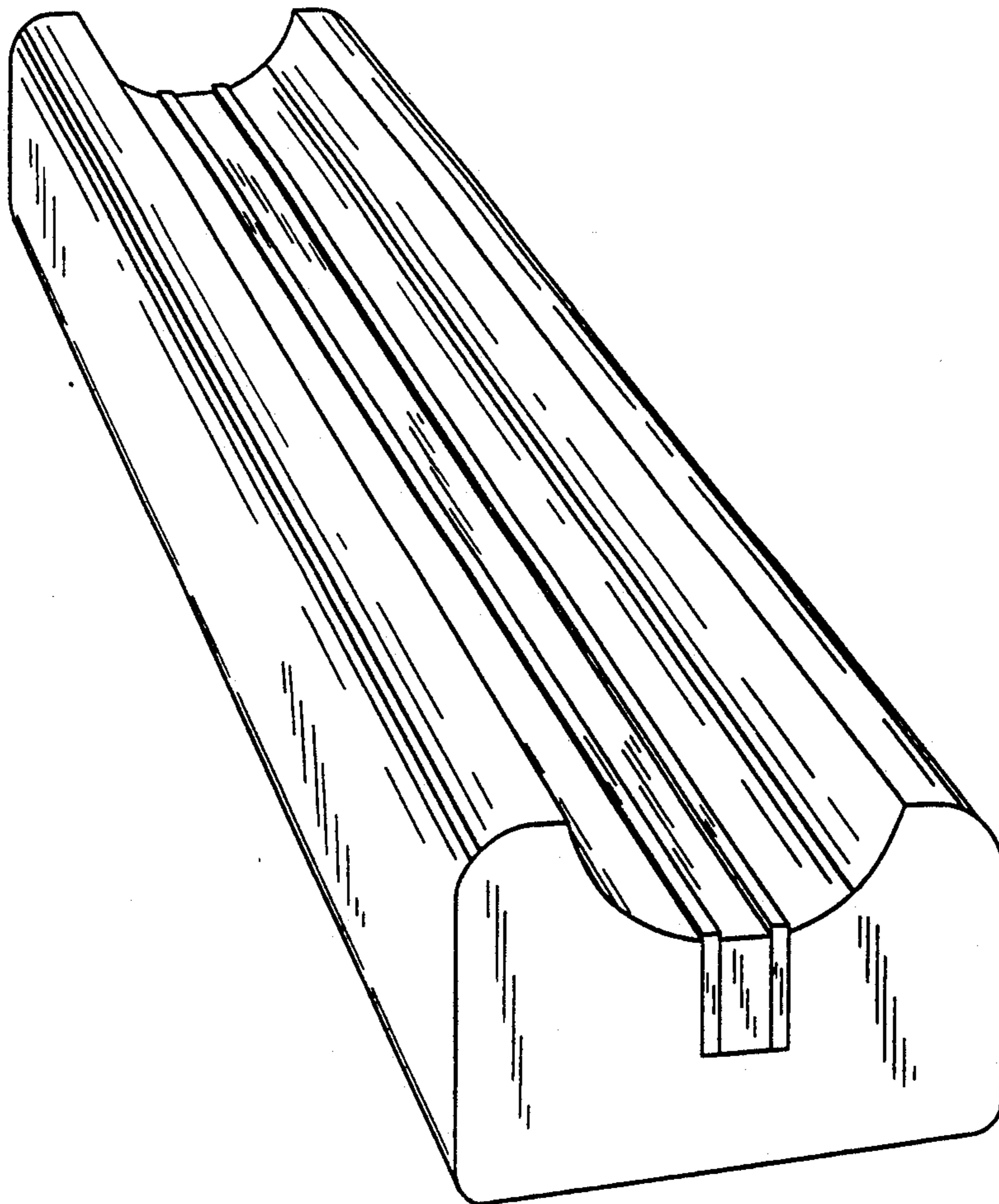


FIG. 1

FIG. 2

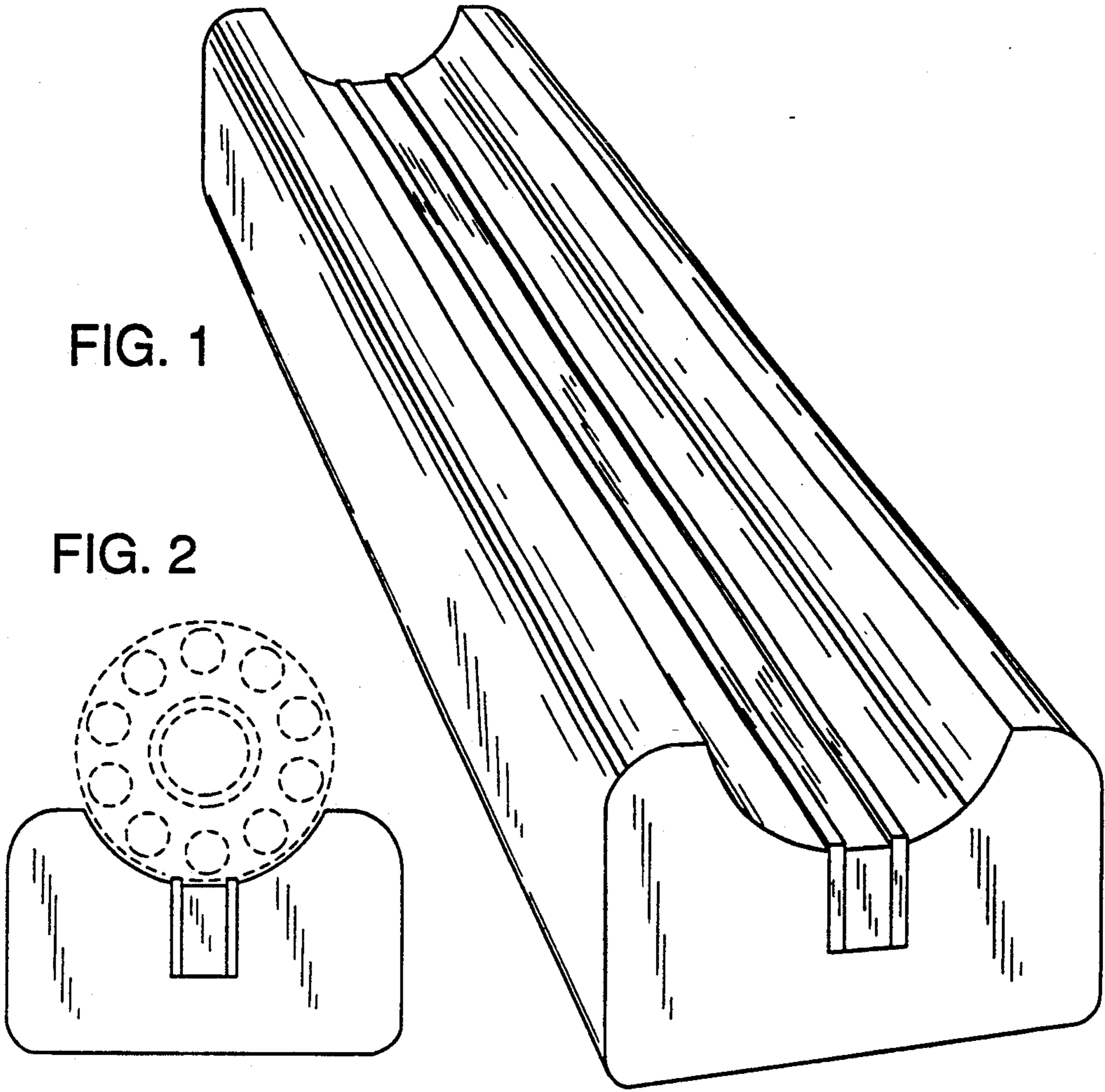


FIG. 3

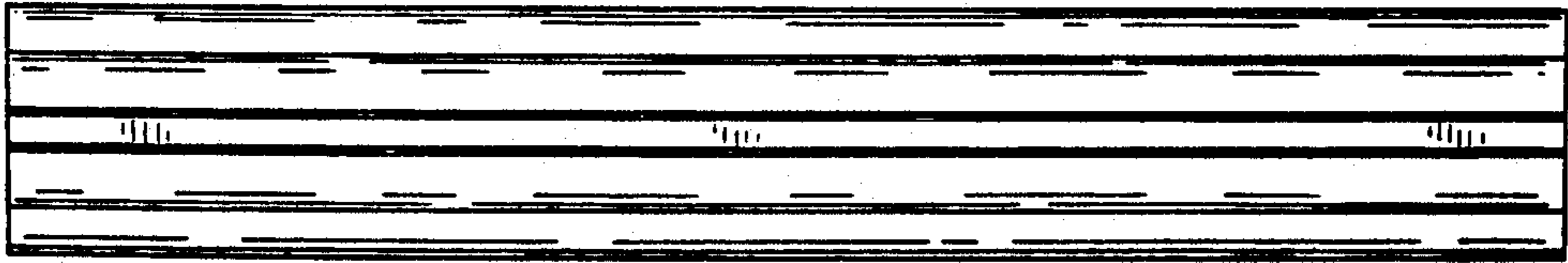


FIG. 4

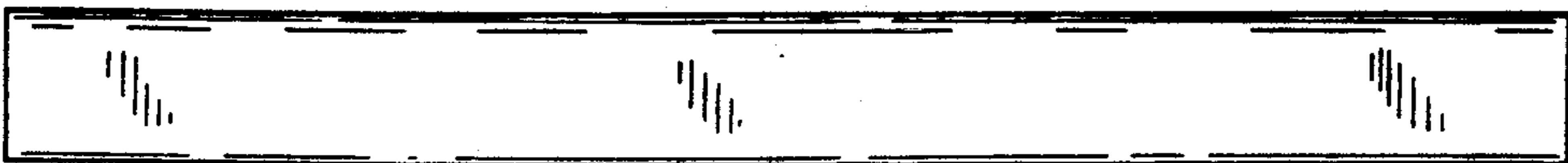


FIG. 5

