



US00D338327S

United States Patent [19]

[11] Patent Number: **Des. 338,327**

Lewis

[45] Date of Patent: **** Aug. 17, 1993**

[54] **GOLF BAG UMBRELLA**

615,055 11/1898 Woods D3/12 X

[76] Inventor: **Kenneth A. Lewis**, 924 Caldwell Ave., Union, N.J. 07083

Primary Examiner—Louis S. Zarfes
Attorney, Agent, or Firm—Siegmar Silber

[**] Term: **14 Years**

[57] CLAIM

[21] Appl. No.: **670,592**

The ornamental design for a golf bag umbrella, as shown and described.

[22] Filed: **Mar. 18, 1991**

[52] U.S. Cl. **D3/5; D3/13; D8/395**

DESCRIPTION

[58] Field of Search **D3/5-8, D3/10, 12-14, 16; D8/395; 135/15.1, 16, 19, 19.5, 20.3, 25.4, 22-24**

FIG. 1 is a perspective view of the golf bag umbrella of this invention;

FIG. 2 is a right side elevational view of FIG. 1;

FIG. 3 is a front elevational view of FIG. 1;

FIG. 4 is a left side elevational view of FIG. 1;

FIG. 5 is a rear elevational view of FIG. 1;

FIG. 6 is a top plan view thereof with the shaft and canopy removed for clarity of illustration; and,

FIG. 7 is a bottom plan view thereof.

The broken line showing of a golf bag in FIG. 1 is for illustrative purposes only and forms no part of the claimed design.

[56] References Cited

U.S. PATENT DOCUMENTS

30,213	10/1860	Eichberg	135/16
D. 251,345	3/1979	Bigelow et al.	D8/395 X
D. 292,677	11/1987	Jordi	D8/395 X
D. 316,333	4/1991	Maki	D8/395 X
D. 327,166	6/1992	Barker	D3/13

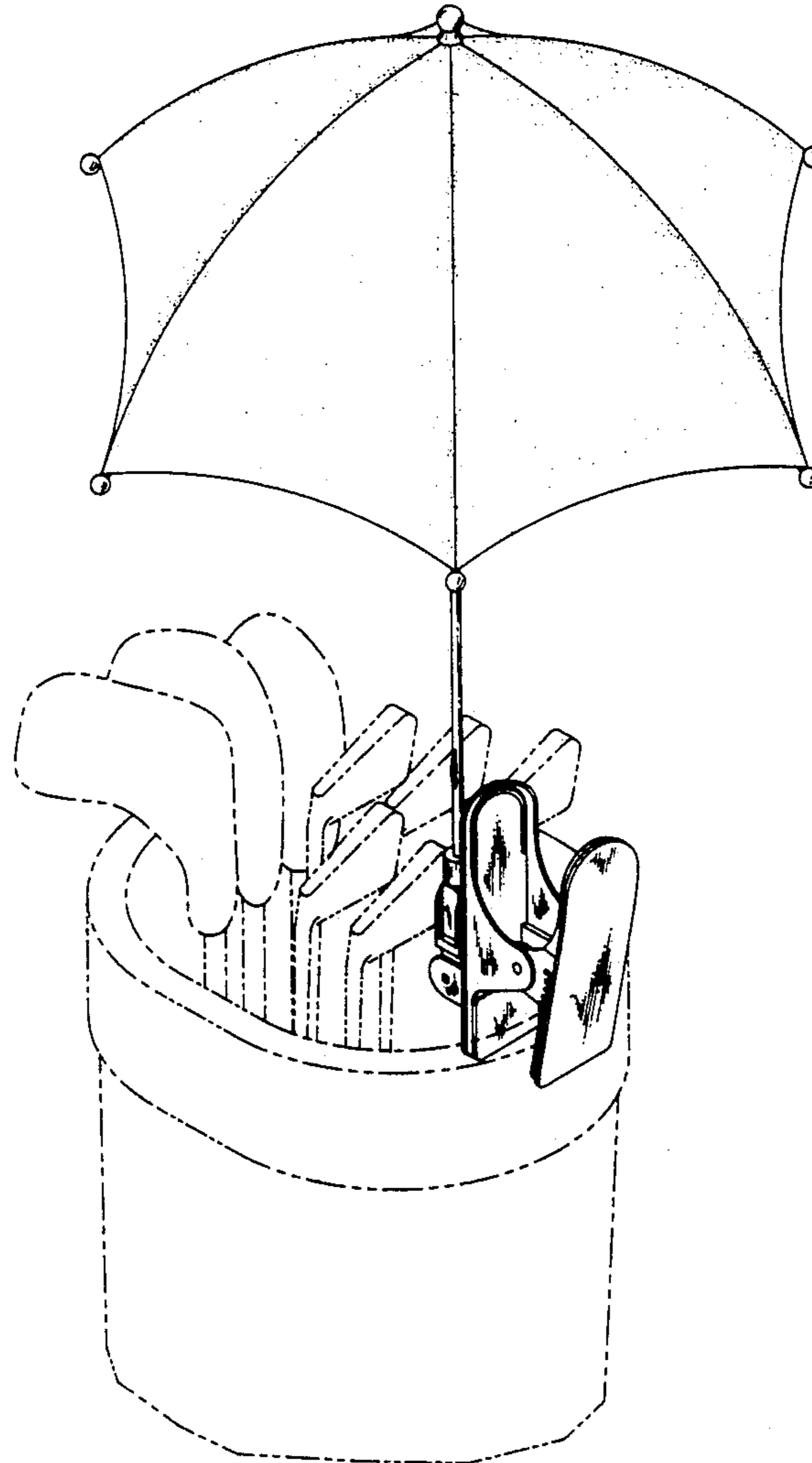


FIG. 1

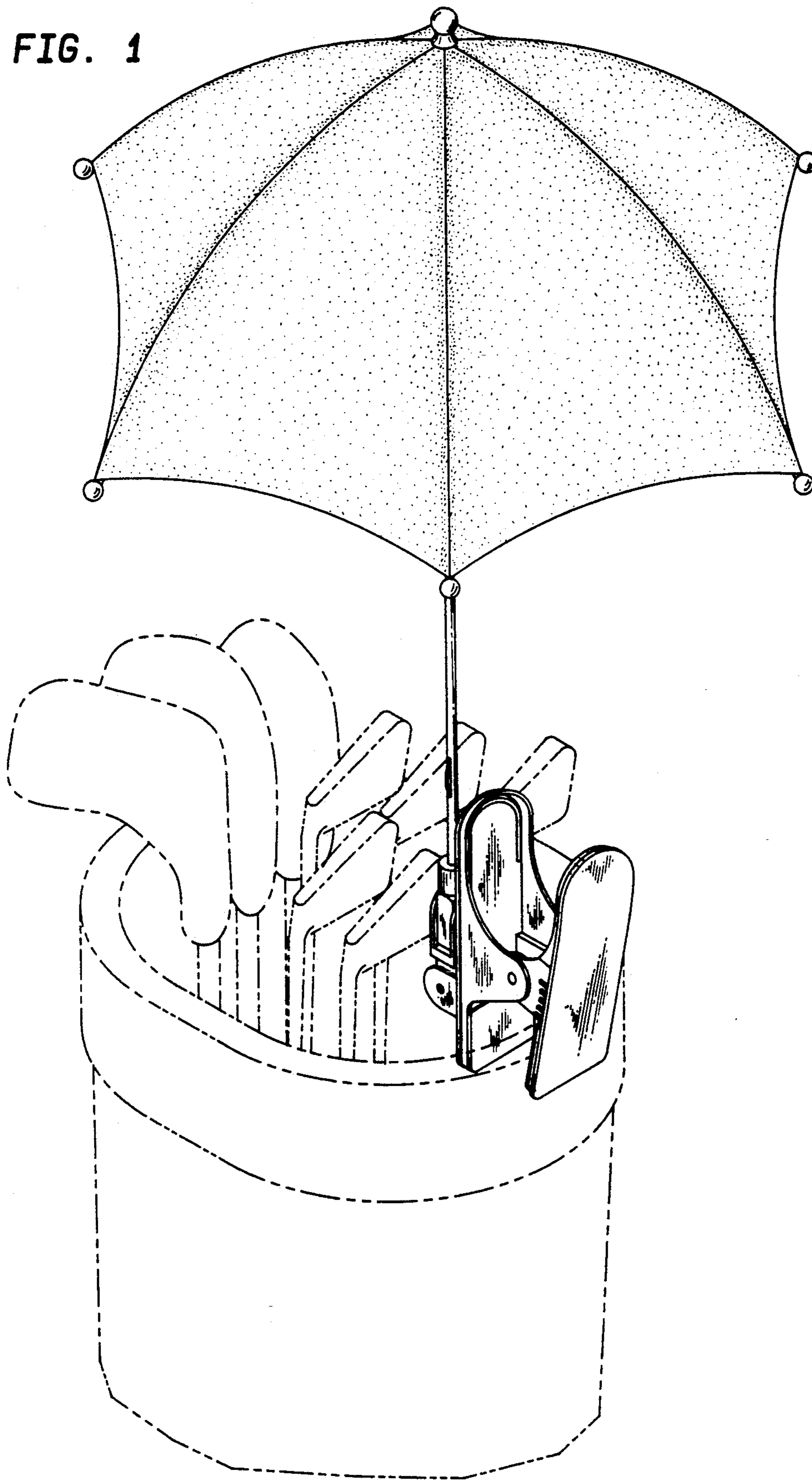


FIG. 2

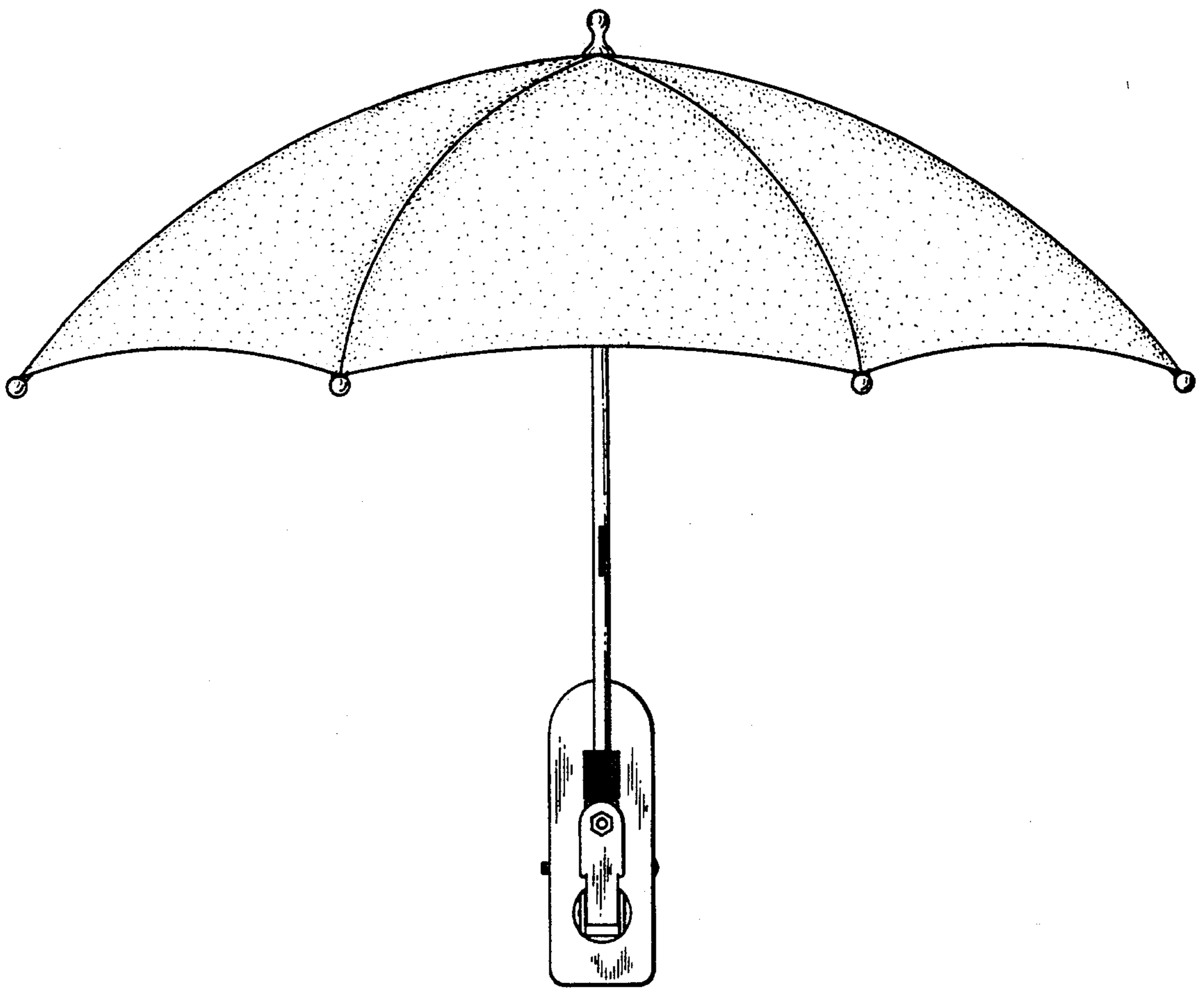


FIG. 3

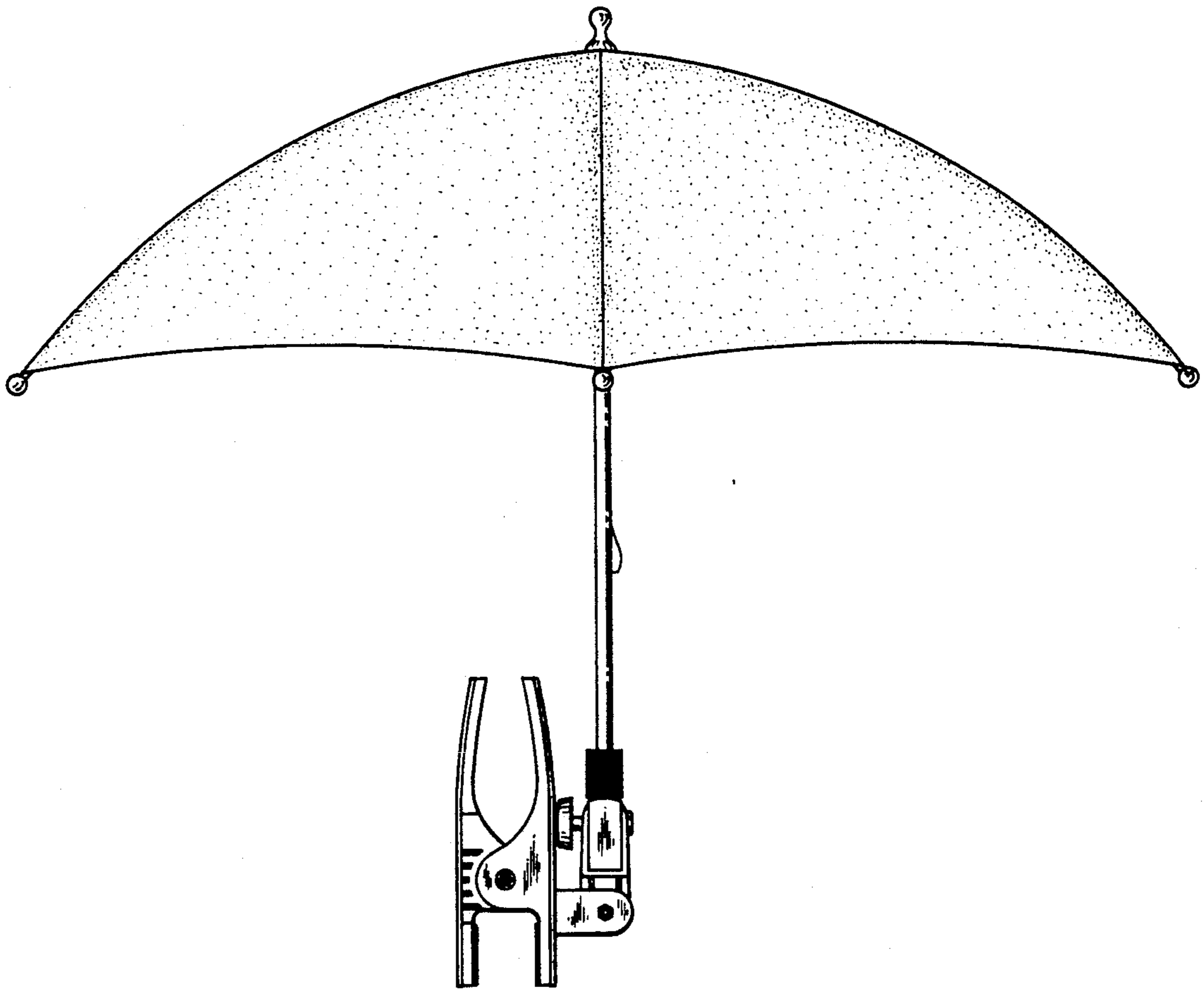


FIG. 4

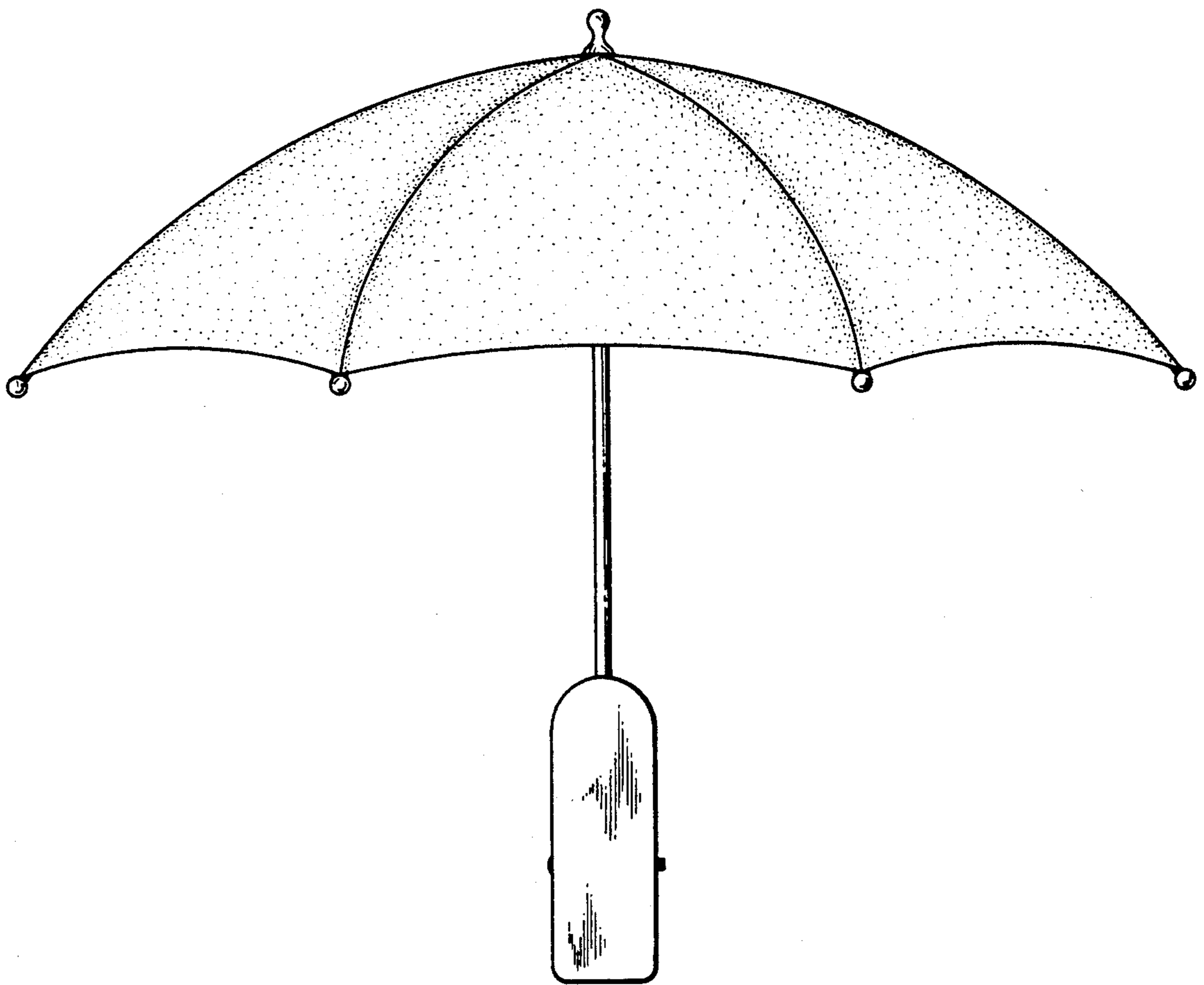


FIG. 5

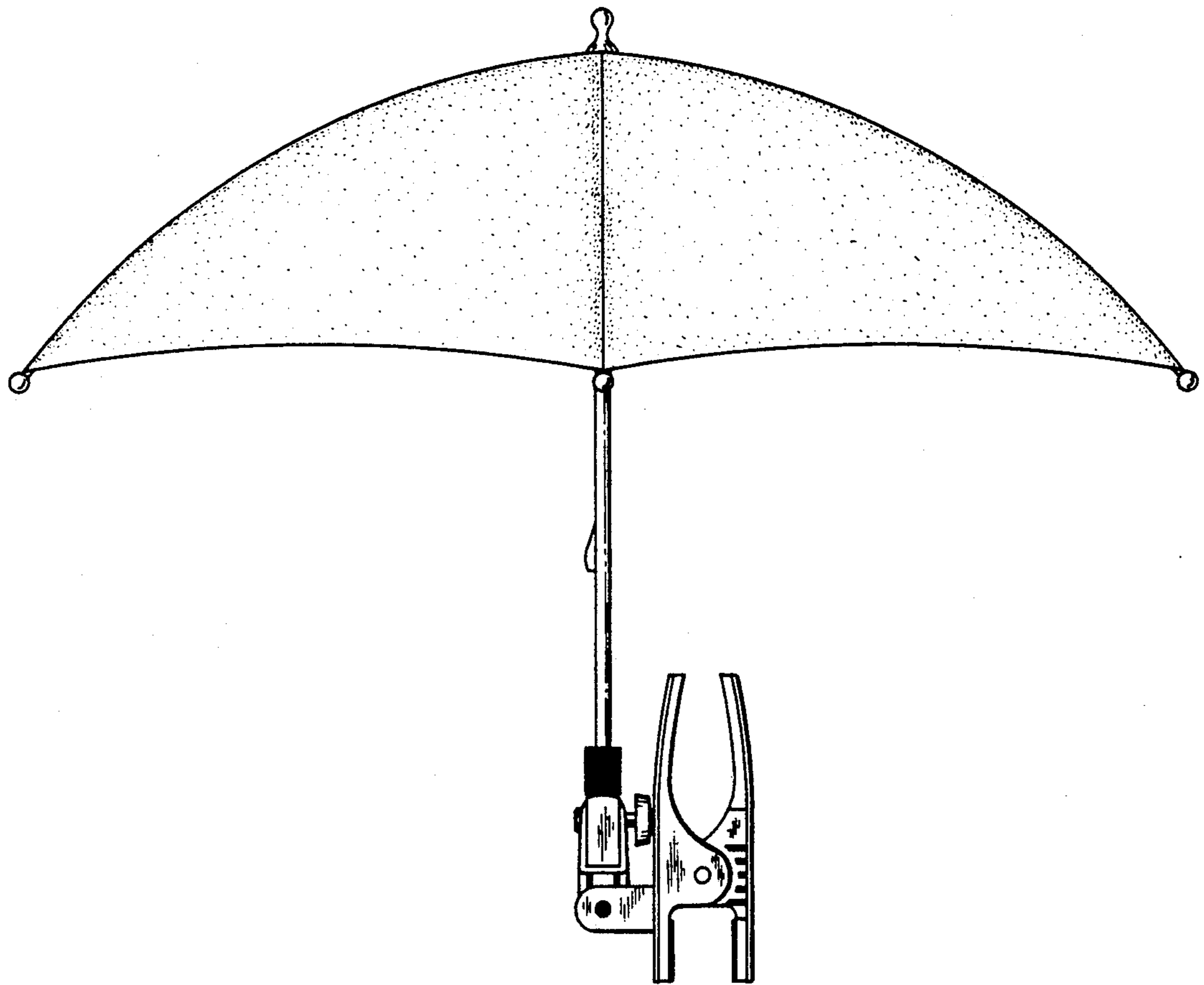


FIG. 6

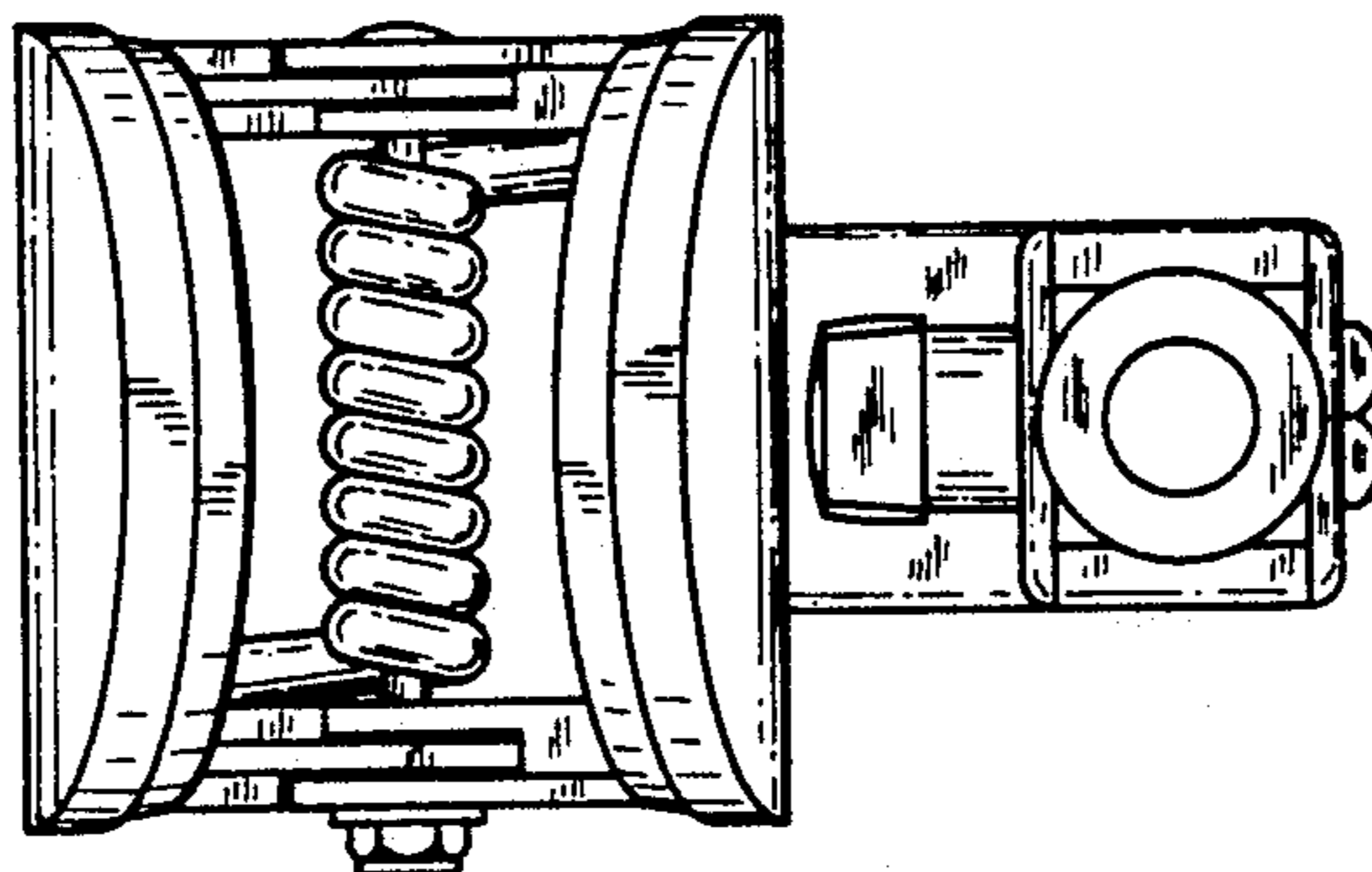


FIG. 7

