



US00D338319S

United States Patent [19]

[11] Patent Number: **Des. 338,319**

Bickel

[45] Date of Patent: **** Aug. 17, 1993**

[54] **A COMBINED BIB AND TRAY**
[76] Inventor: **Nicia E. Bickel**, 1508 Hunting Green,
Fort Worth, Tex. 76134

2,436,547 2/1948 Boccieri D2/229
2,446,689 8/1948 Brose et al. D2/229
3,407,407 10/1968 Hollander et al. D2/226
5,062,558 11/1991 Stang 2/49 A

[**] Term: **14 Years**

Primary Examiner—A. Hugo Word
Assistant Examiner—Celia A. Murphy
Attorney, Agent, or Firm—Timmons & Kelly

[21] Appl. No.: **756,137**

[22] Filed: **Sep. 6, 1991**

[57] **CLAIM**

[52] U.S. Cl. **D2/229; D2/225;**
D2/226

The ornamental design for a combined bib and tray, as shown and described.

[58] Field of Search **D2/225-226,**
D2/227, 228, 229; 2/46, 48, 49 R, 49 A, 50, 53

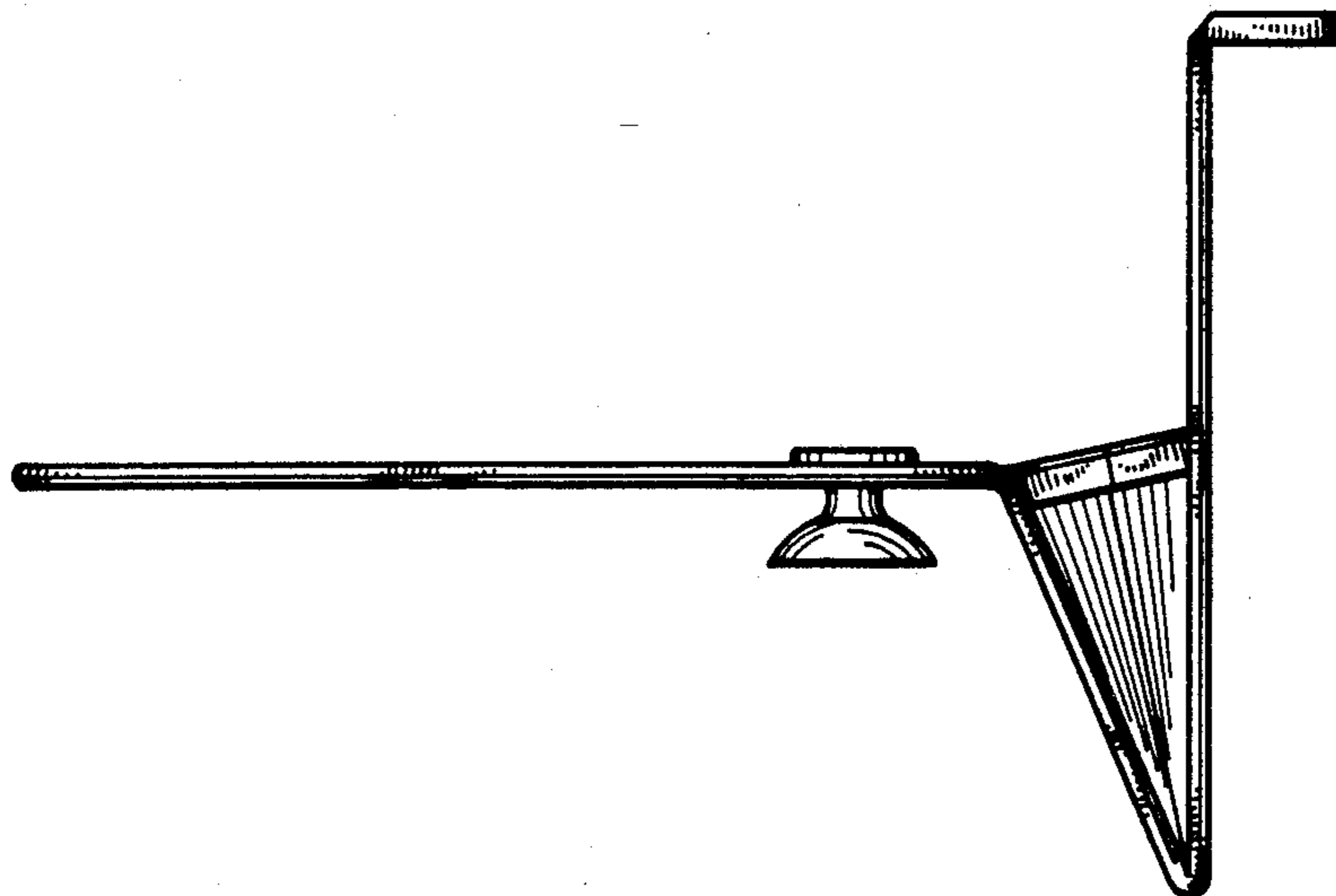
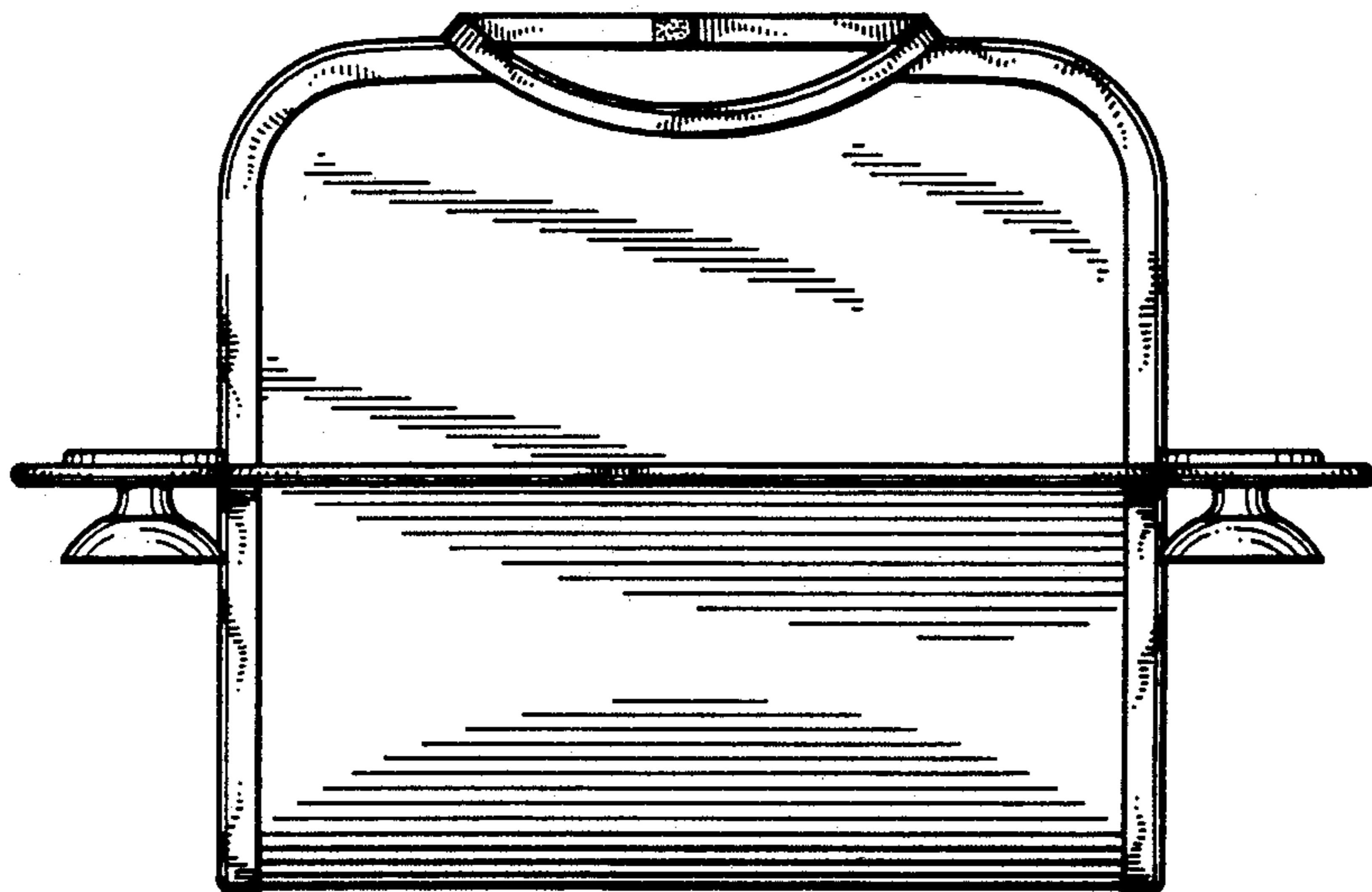
DESCRIPTION

[56] **References Cited**

U.S. PATENT DOCUMENTS

D. 162,793 4/1951 Daust D2/226
D. 323,435 1/1992 Palacios D2/225
D. 325,115 4/1992 Vassar, Sr. D2/229
2,265,690 12/1941 Fiedler D2/227

FIG. 1 is a front elevational view of a combined bib and tray showing new design;
FIG. 2 is a rear elevational view thereof;
FIG. 3 is a right side elevational view thereof;
FIG. 4 is a left side elevational view thereof;
FIG. 5 is a top plan view thereof; and,
FIG. 6 is a bottom plan view thereof.



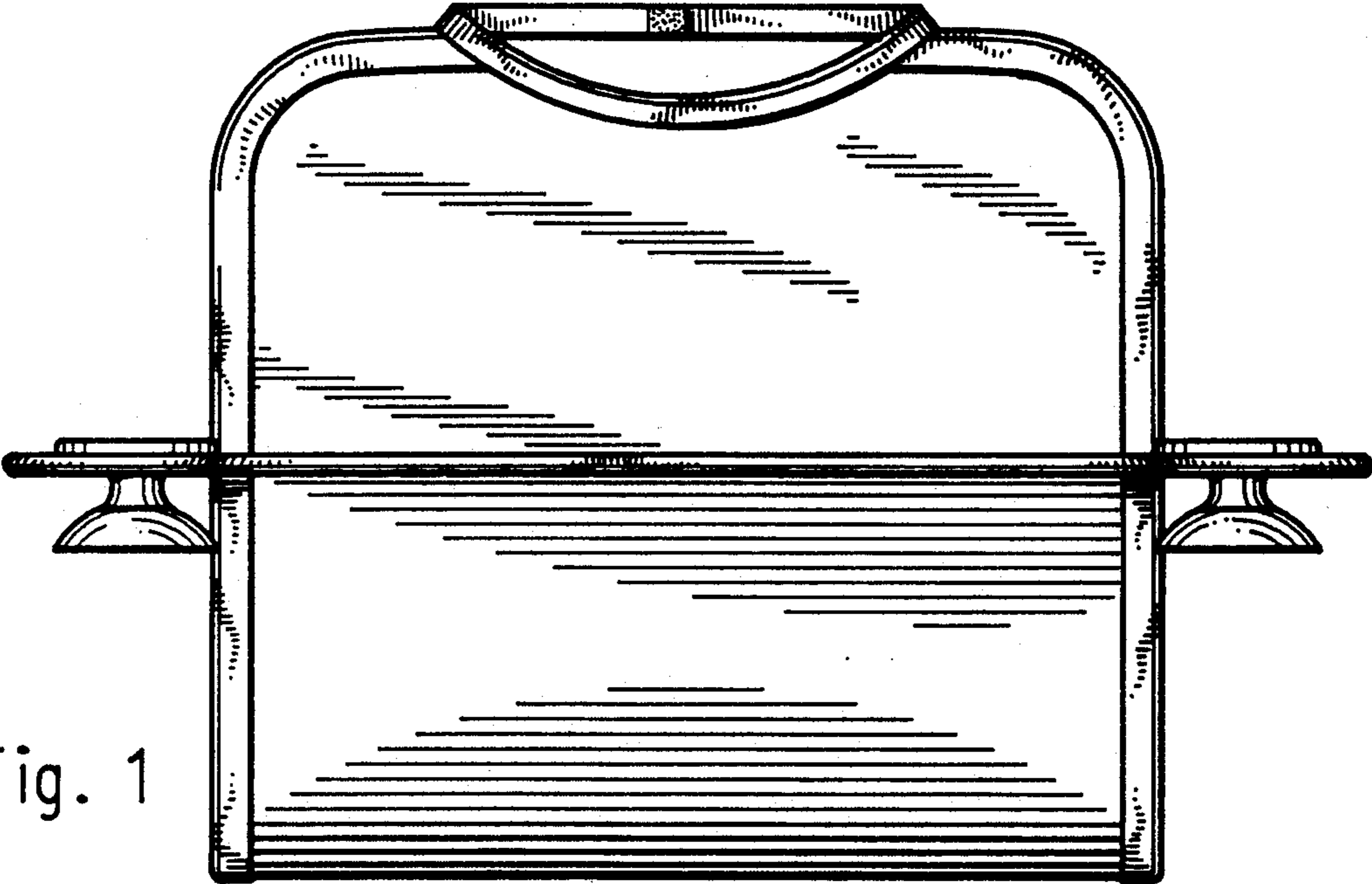


Fig. 1

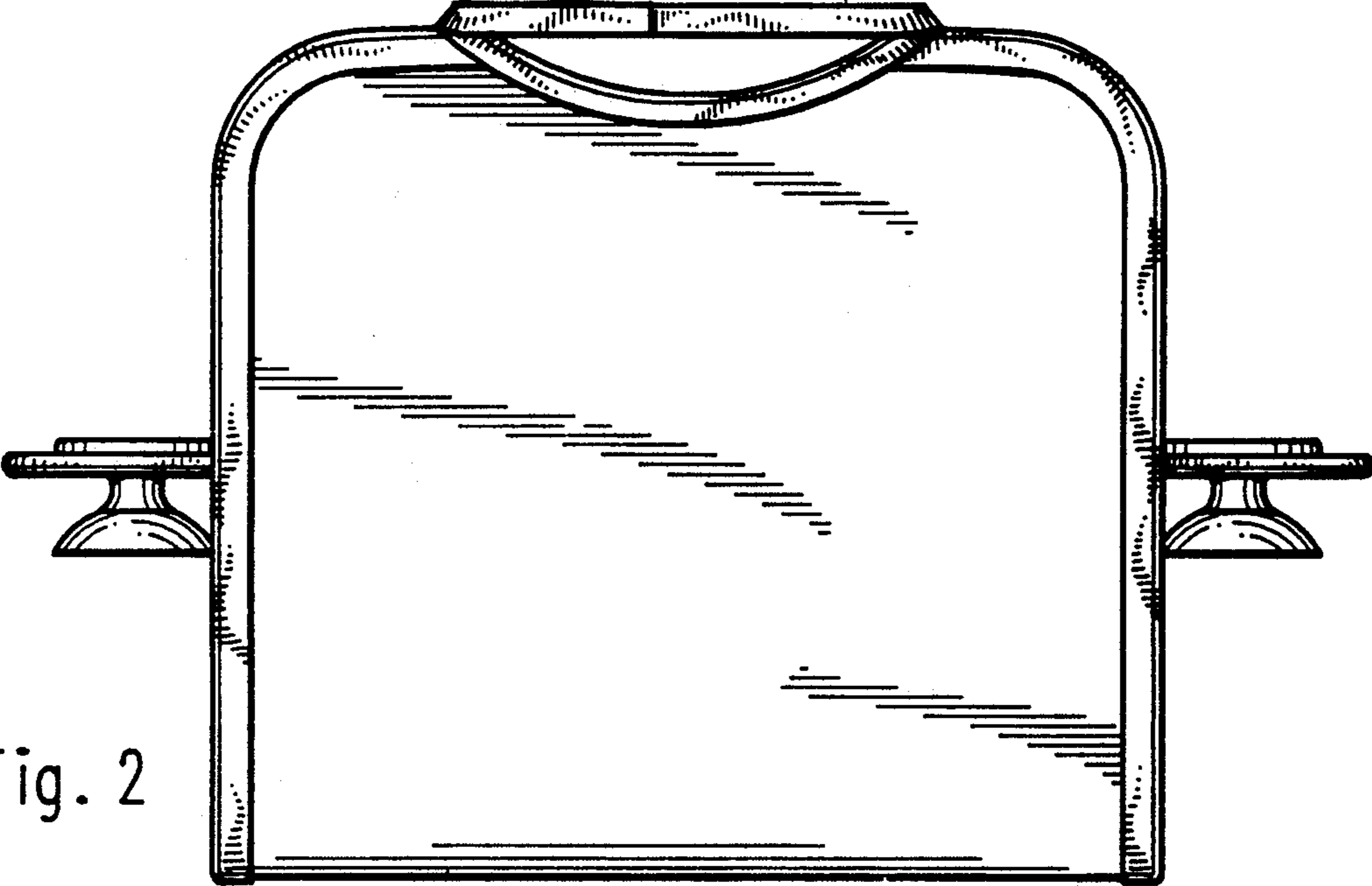


Fig. 2

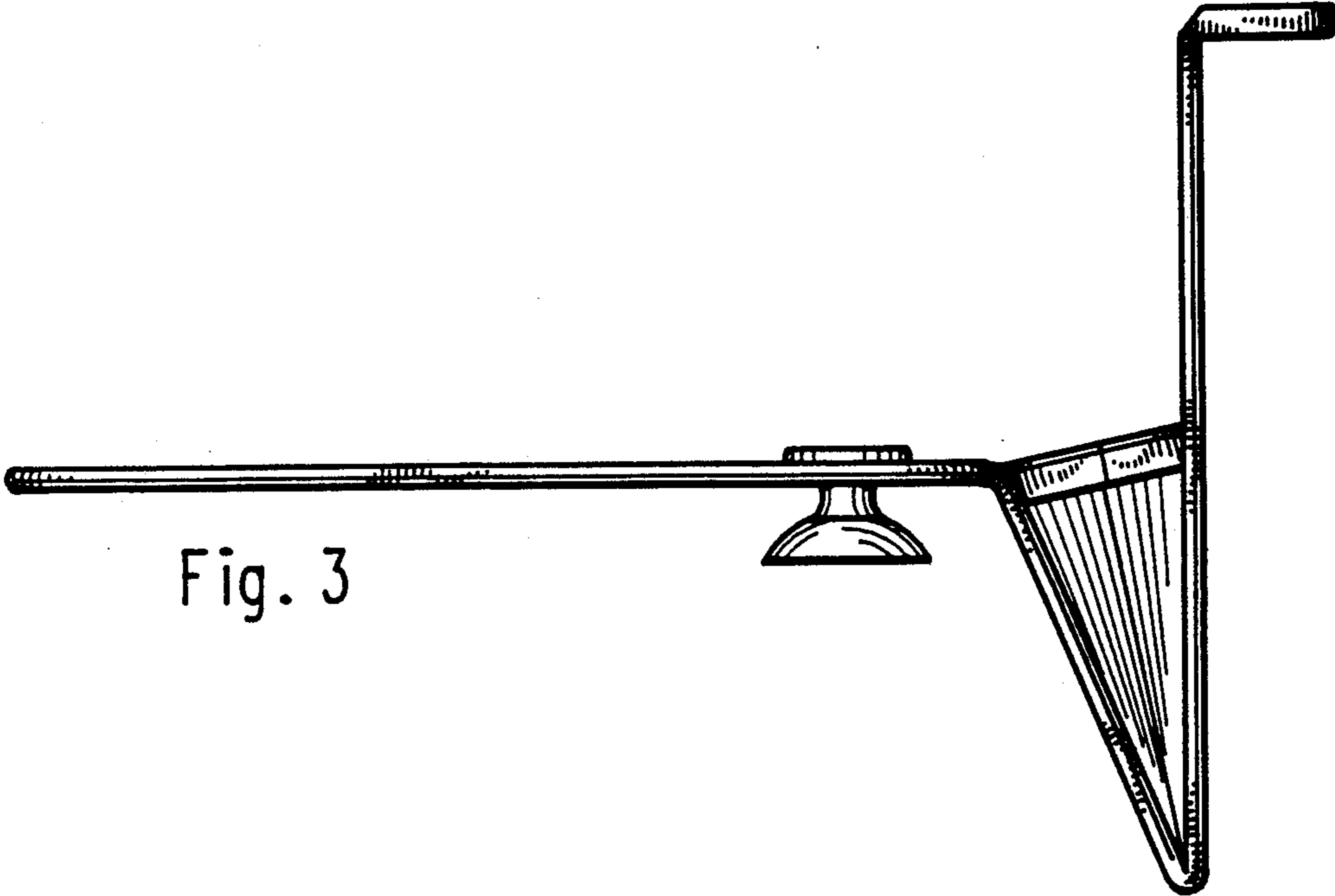


Fig. 3

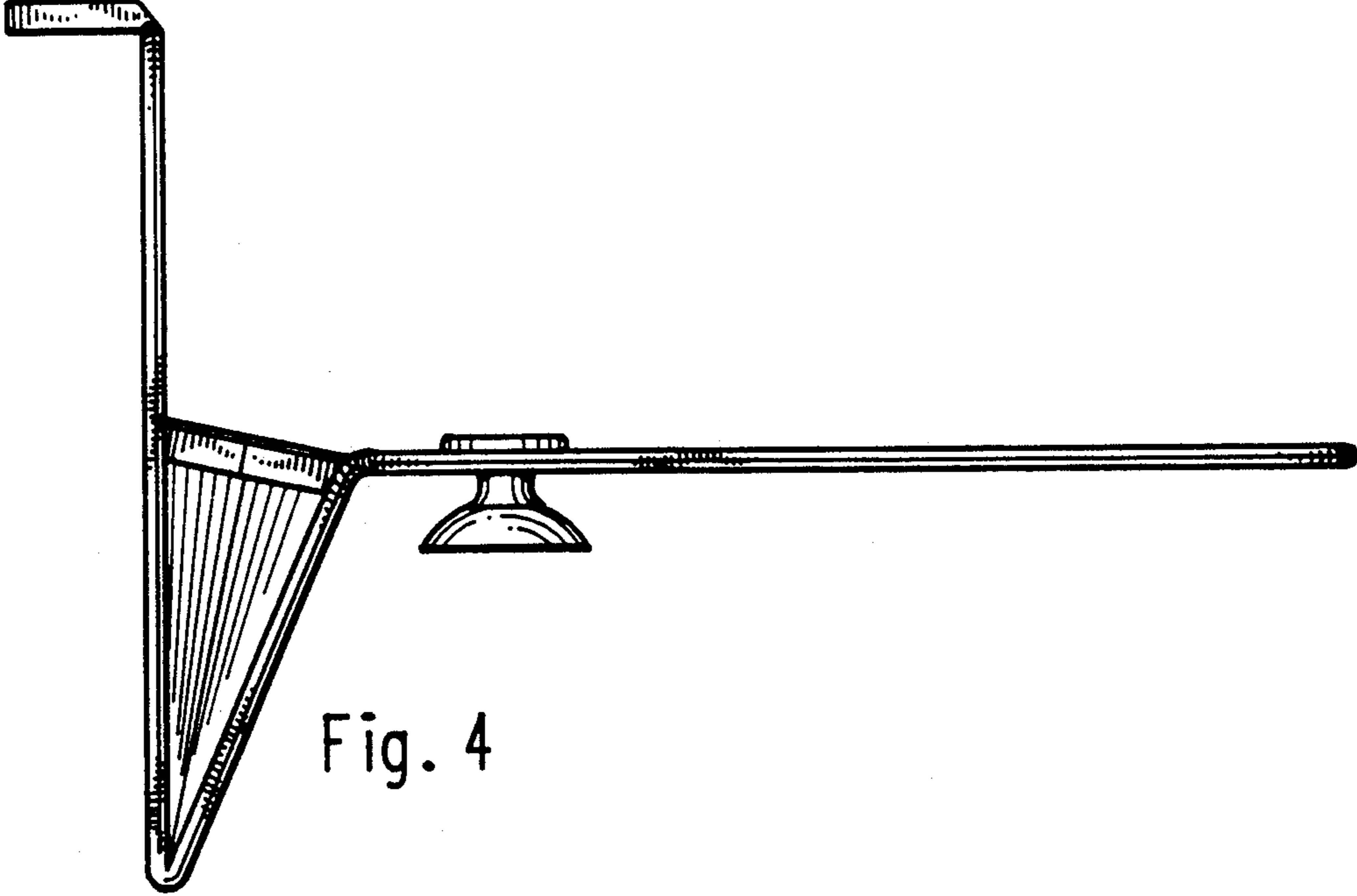


Fig. 4

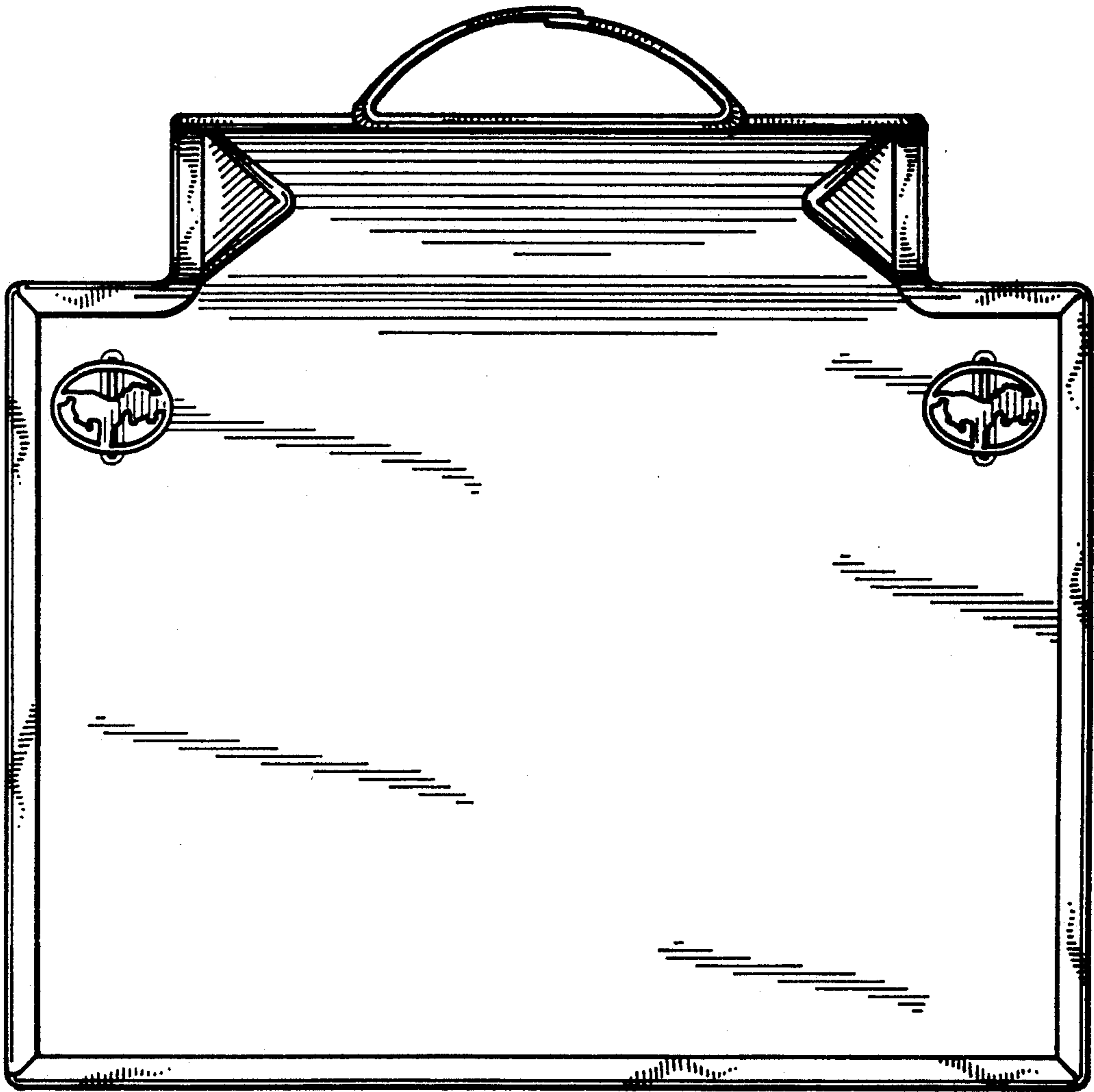


Fig. 5

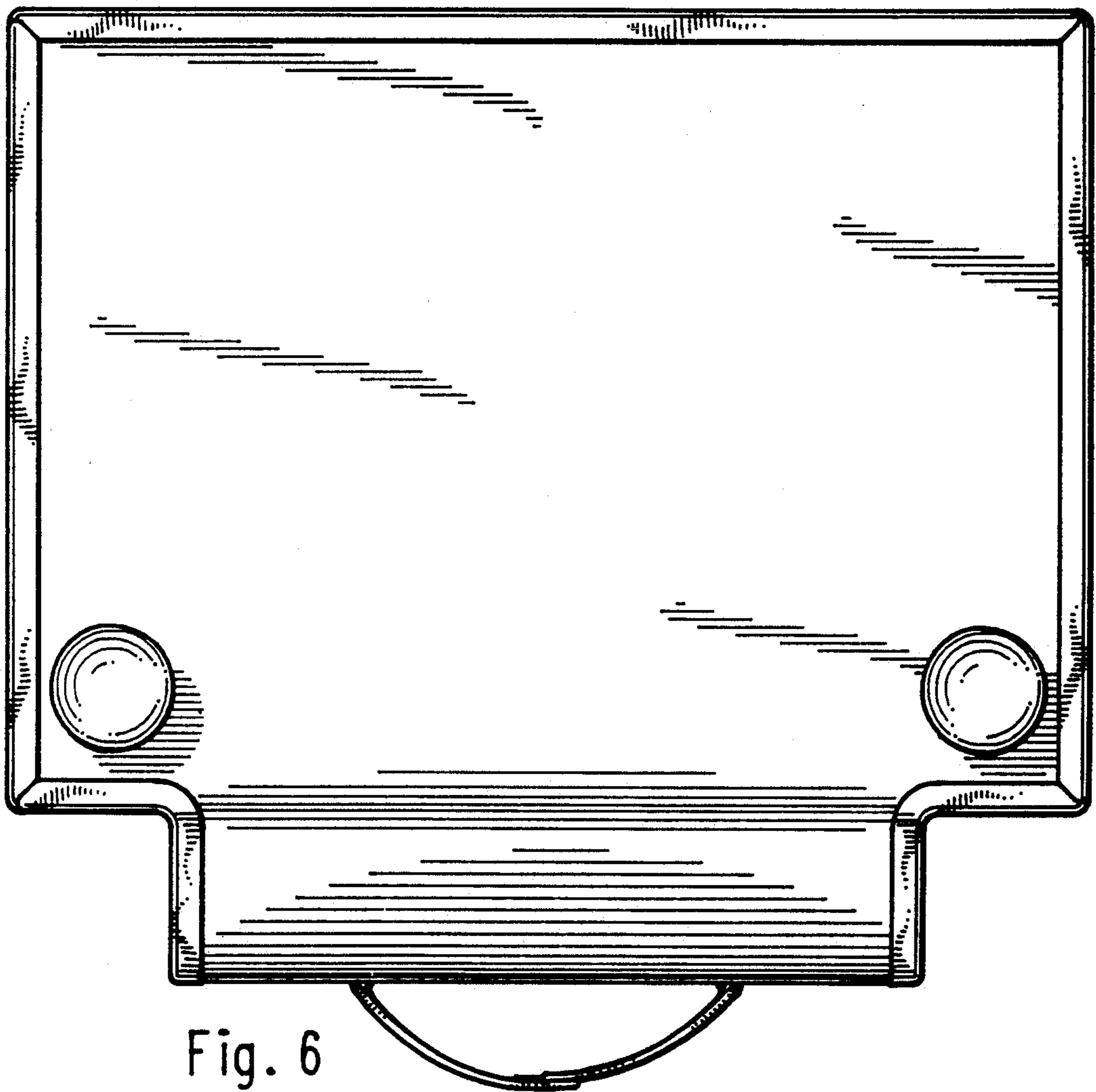


Fig. 6