



US00D338307S

United States Patent [19]

[11] Patent Number: **Des. 338,307**

Shaffer et al.

[45] Date of Patent: **** Aug. 10, 1993**

[54] **SHOPPING CART BRAKE**

3,117,653 1/1964 Altherr 280/33.994
3,356,185 12/1967 Issacks 280/33.994

[76] Inventors: **James W. Shaffer; Susan Shaffer,**
both of 5609 Rosa, St. Louis, Mo.
63109

Primary Examiner—Kay H. Chin
Attorney, Agent, or Firm—Terry M. Gernstein

[**] Term: **14 Years**

[57] **CLAIM**

[21] Appl. No.: **809,261**

The ornamental design for a shopping cart brake, as shown and described.

[22] Filed: **Dec. 11, 1991**

[52] U.S. Cl. **D34/27**

DESCRIPTION

[58] Field of Search **D34/27; 280/33.994;**
188/19, 20, 4 R, 29, 30

FIG. 1 is a perspective view of the a shopping cart brake showing our new design;

FIG. 2 is a bottom plan view thereof;

FIG. 3 is an enlarged left side elevational view thereof; and,

FIG. 4 is a side elevational view showing a use thereof. The broken lines shown in FIGS. 1 and 4 of the drawing are for illustrative purposes only and form no part of the claimed design.

[56] **References Cited**

U.S. PATENT DOCUMENTS

Re. 32,067	1/1986	Emony	188/29
D. 290,320	6/1987	Cornette	D8/1
924,708	6/1909	West	188/20
2,738,034	3/1956	Levine	188/19

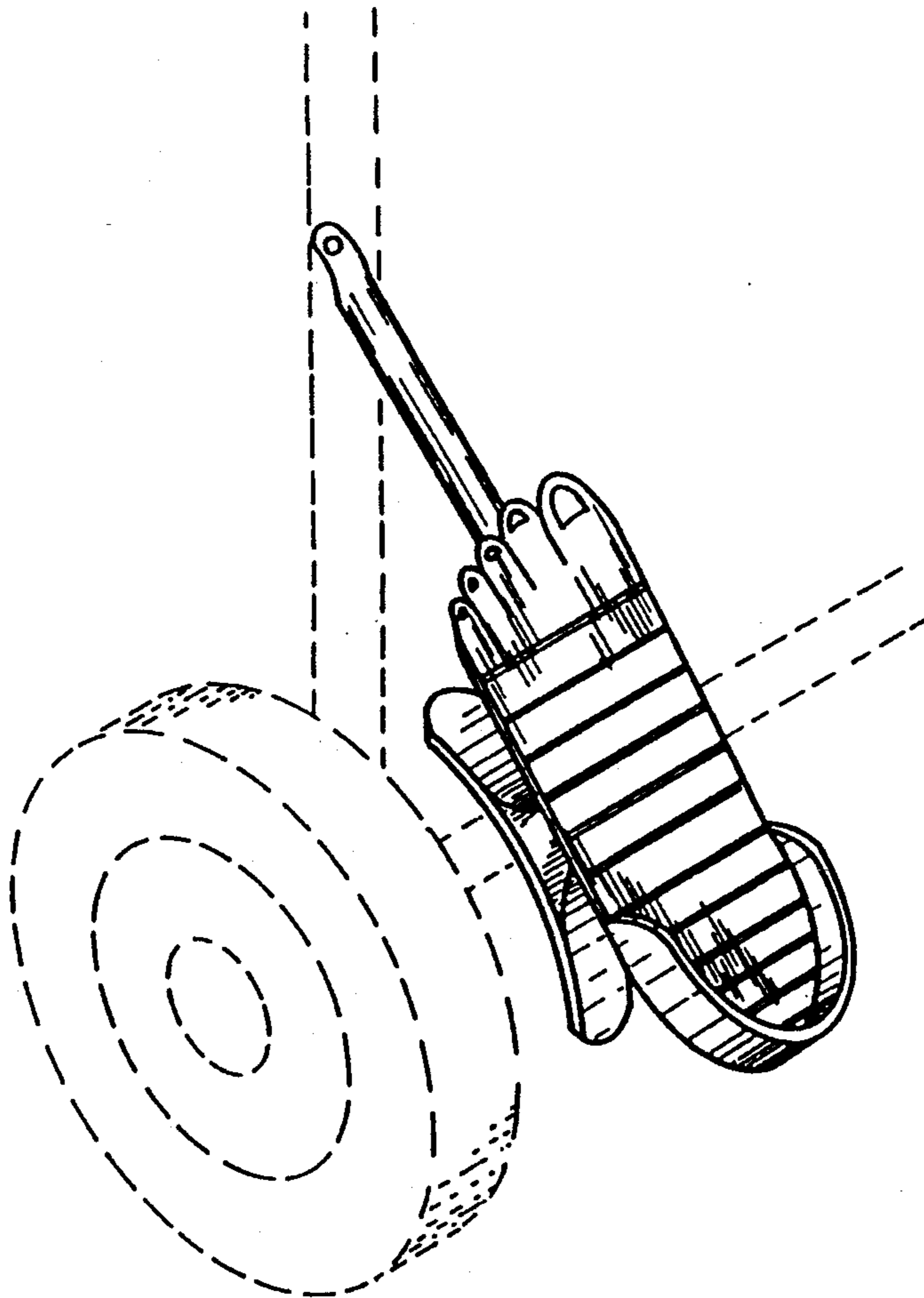


FIG 1

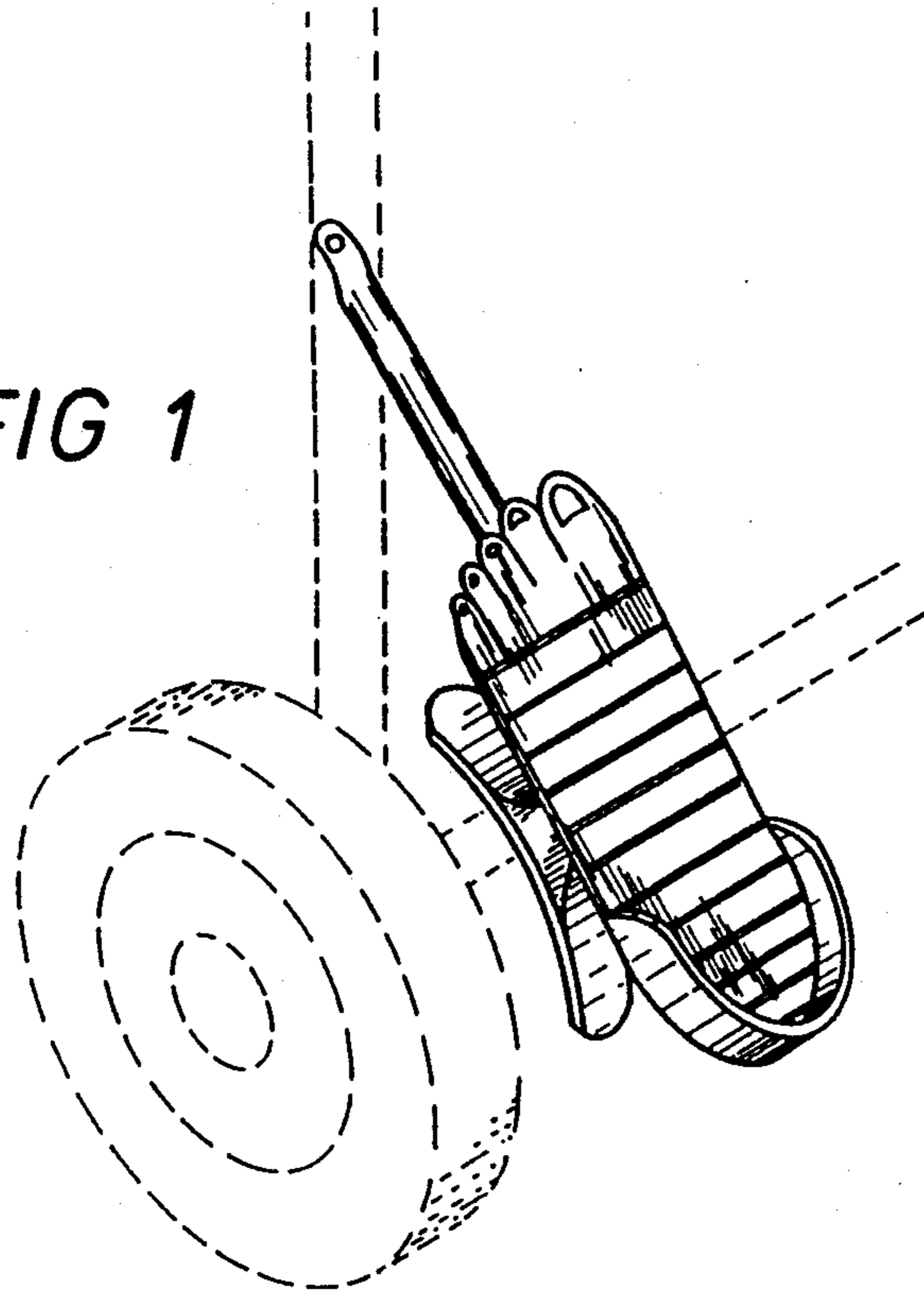


FIG 2

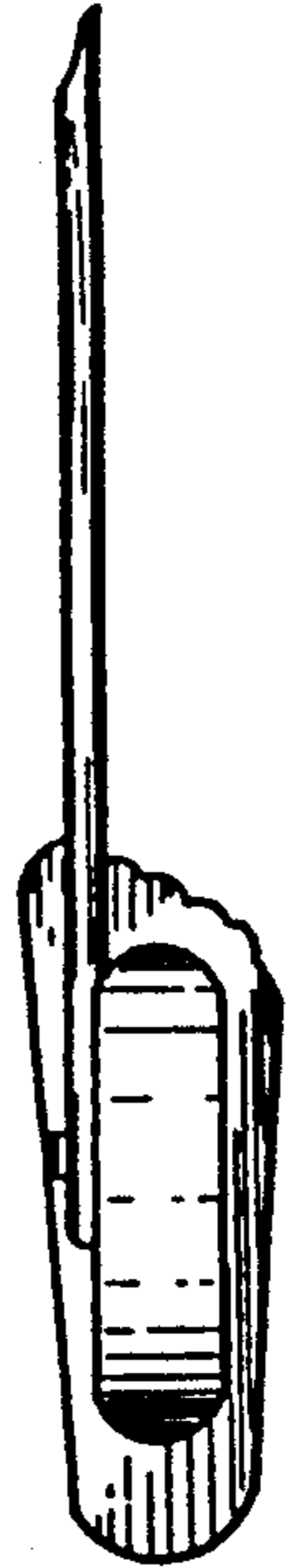


FIG 3

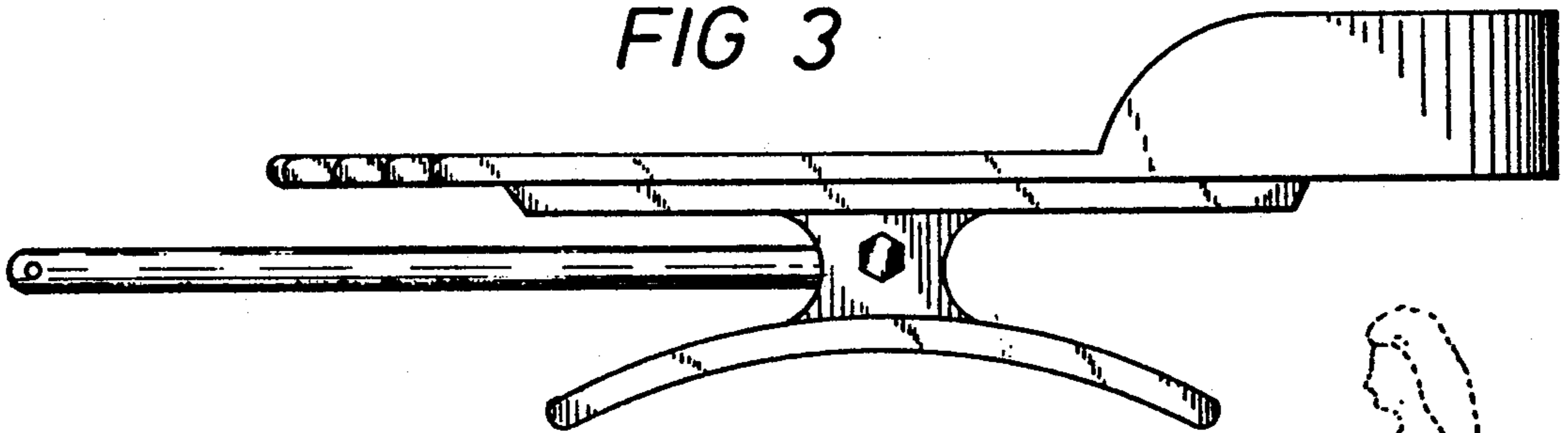


FIG 4

