



US00D338305S

United States Patent [19]

[11] Patent Number: **Des. 338,305**

Cole

[45] Date of Patent: **** Aug. 10, 1993**

[54] PART CART

[76] Inventor: **Joseph Cole**, 810 Garfield Ave.,
Bridgewater, N.J. 08870

[**] Term: **14 Years**

[21] Appl. No.: **609,935**

[22] Filed: **Nov. 6, 1990**

[52] U.S. Cl. **D34/21; D34/17**

[58] Field of Search **D34/12, 19, 20, 21,
D34/22, 23; 280/47.35; D6/432, 445, 446, 448;
312/189, 111, 188, 107, DIG. 33, 250, 350, 214;
211/70.6, 74, 60, 177**

4,117,937	10/1978	Ratti	211/70.6
4,159,831	7/1979	Schorr	280/79.3
4,166,589	9/1979	Hoover et al.	242/75.4
4,458,467	7/1984	Shulman et al.	53/399
4,499,706	2/1985	Scheller	53/399
4,509,649	4/1985	Evans	211/70.6
4,535,897	9/1985	Remington	211/70.6
4,559,762	9/1985	Soltus	53/441
4,588,096	9/1985	Story	211/126
4,607,476	8/1986	Fulton, Jr.	53/399
4,631,898	12/1986	Brambilla	53/399
4,720,048	1/1988	Maroney et al.	280/47.34

Primary Examiner—**Kay H. Chin**

Attorney, Agent, or Firm—**Alan R. Thiele**

[56] **References Cited**

U.S. PATENT DOCUMENTS

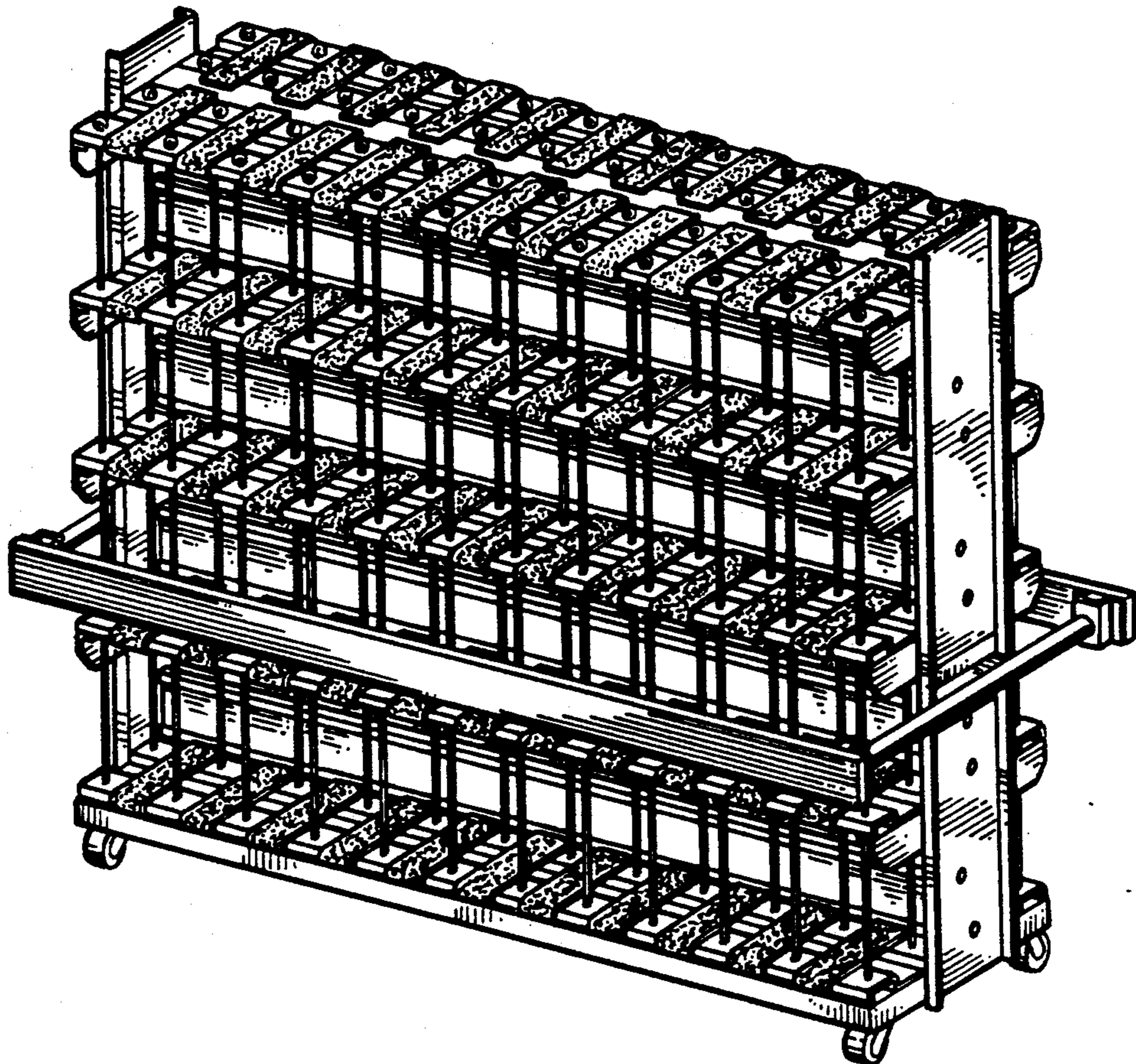
D. 126,215	4/1941	Stersma	D34/20
D. 272,111	1/1984	Anzalone	D34/20
D. 283,263	4/1986	Richey	D34/19
D. 286,714	11/1986	Verholt	D6/446
D. 292,937	11/1987	Richey	D34/19
2,981,549	4/1961	Hotton	280/47.35
3,007,708	11/1961	Ochs	280/33.99
3,580,602	5/1971	Hebert	280/79.3
3,760,154	9/1973	Konger	219/388
3,908,831	9/1975	Brendgord	211/88

[57] **CLAIM**

The ornamental design for a part cart, as shown and described.

DESCRIPTION

FIG. 1 is a right side elevational view of the part cart showing my new design, the left side elevational view being a mirror image of that shown; FIG. 2 is a front elevational view thereof, the rear elevational view being a mirror image of shown; FIG. 3 is a top plan view thereof; FIG. 4 is a bottom plan view thereof; and, FIG. 5 is a top perspective view thereof.



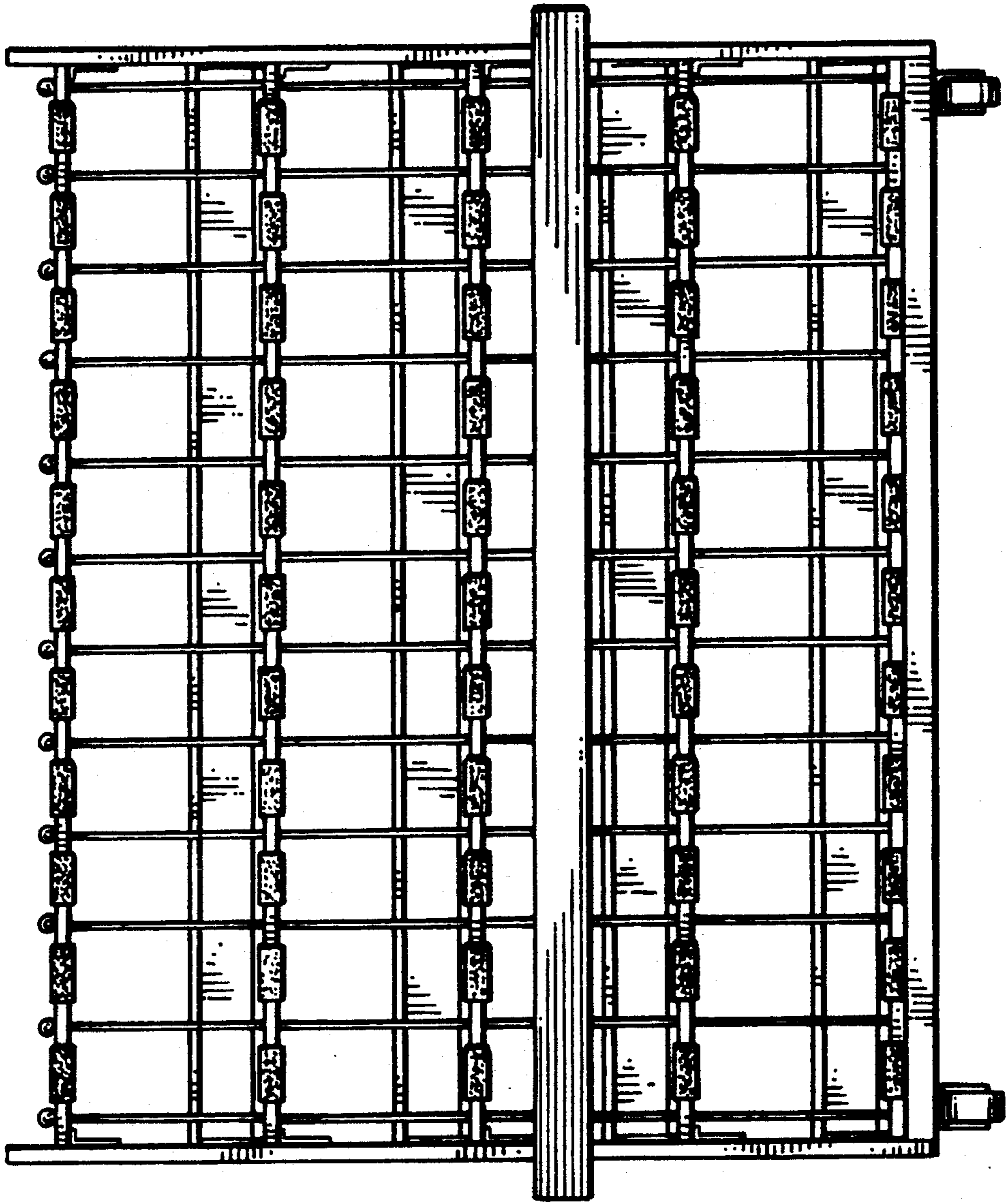


Fig. 2

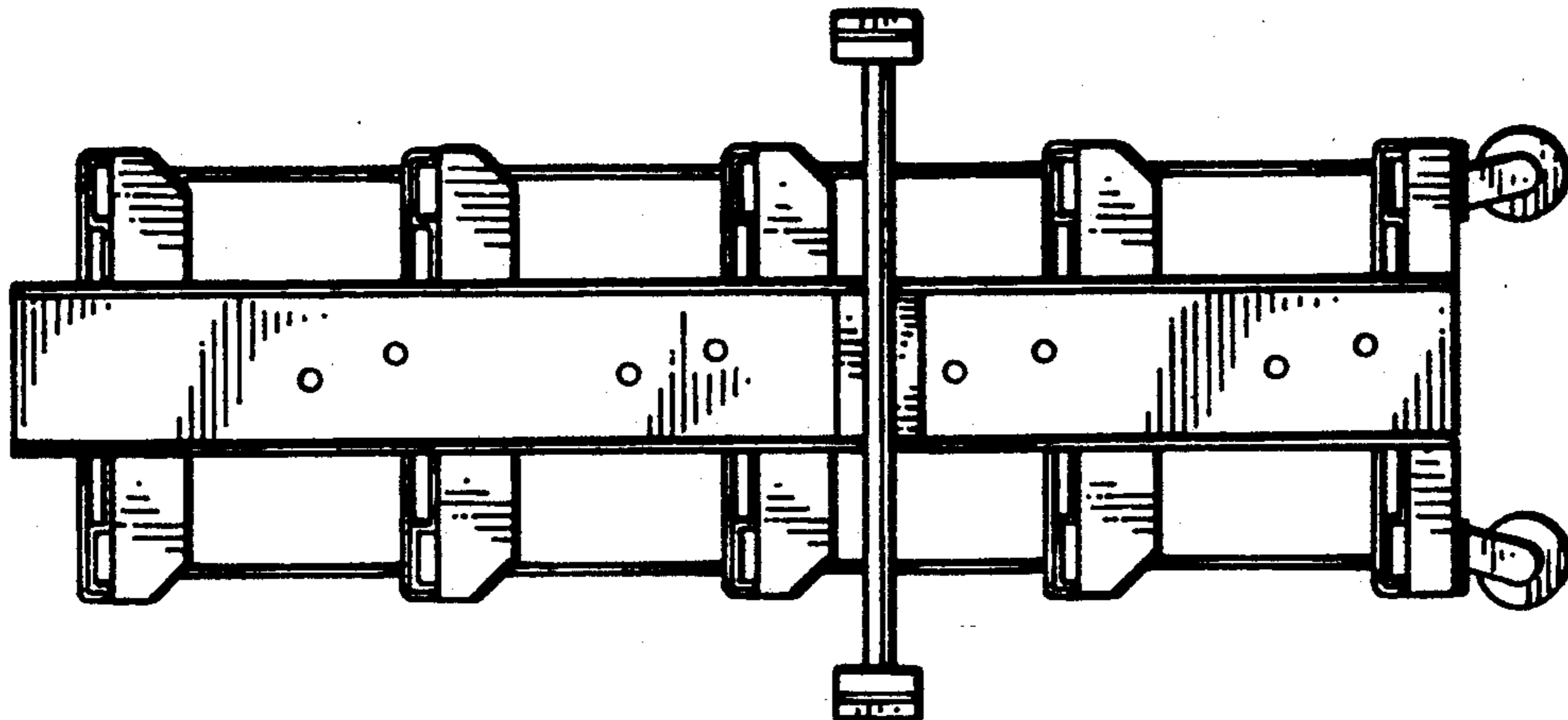


Fig. 1

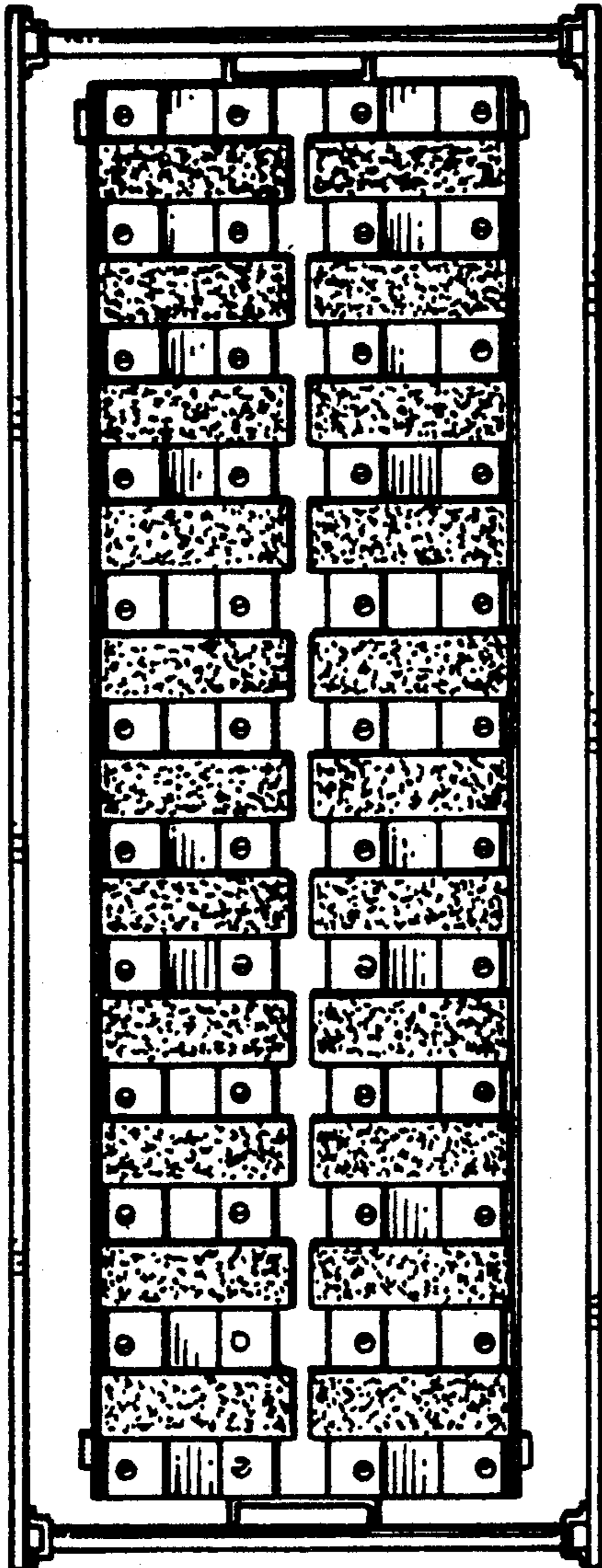


Fig. 3

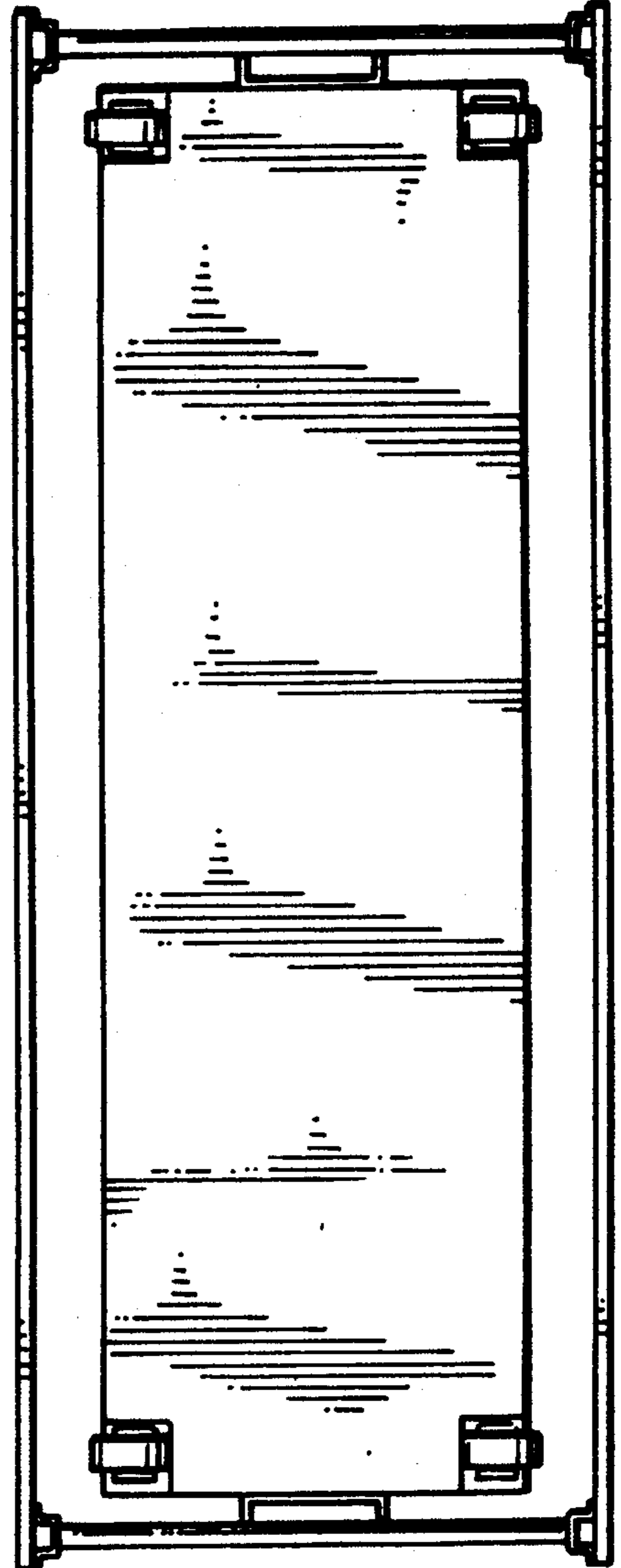


Fig. 4

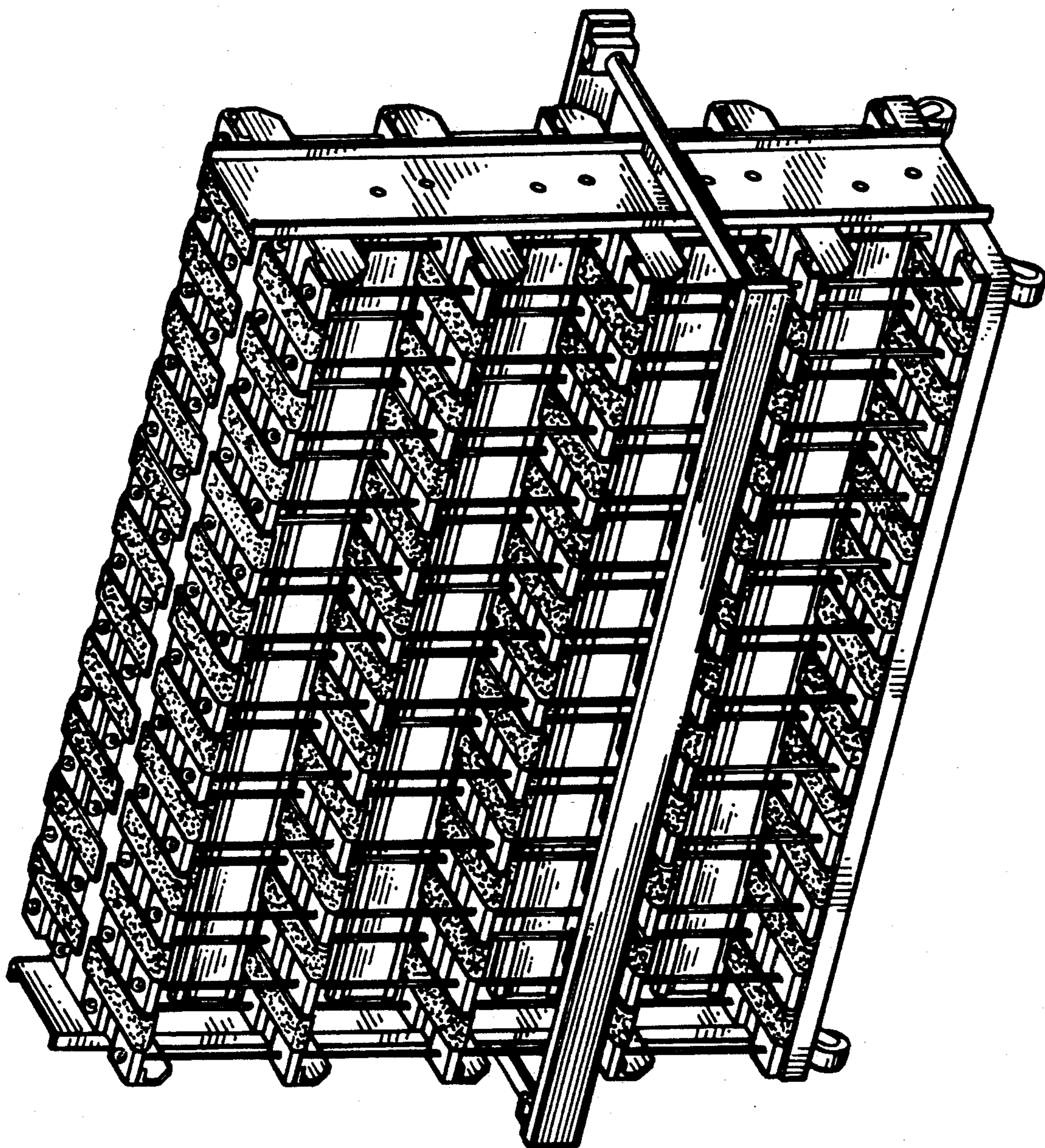


Fig. 5