



US00D338292S

# United States Patent [19]

[11] Patent Number: **Des. 338,292**

Schmitz et al.

[45] Date of Patent: **\*\* Aug. 10, 1993**

## [54] CARPET CLEANING MACHINE

- [75] Inventors: **Mark Schmitz; Otis Price**, both of Dallas, Tex.
- [73] Assignee: **Schmitz Industries, Inc.**, Dallas, Tex.
- [\*\*] Term: **14 Years**
- [21] Appl. No.: **753,680**
- [22] Filed: **Sep. 3, 1991**
- [52] U.S. Cl. .... **D32/21**
- [58] Field of Search ..... **D32/21-24;**  
15/327.1, 327.2, 327.4, 327.6, 327.7, 347,  
320-321

## OTHER PUBLICATIONS

Hardware Age, vol. 218, Dec. 1981, p. 309 "Shop vac silver wet/dry vac. cleaner".  
Industrial Design, vol. 29, Jul./Aug. 1982, p. 33 "Arato's Centaur Vacuum".

*Primary Examiner*—Ruth McInroy  
*Attorney, Agent, or Firm*—Johnson & Gibbs

## [57] CLAIM

The ornamental design for a carpet cleaning machine, as shown and described.

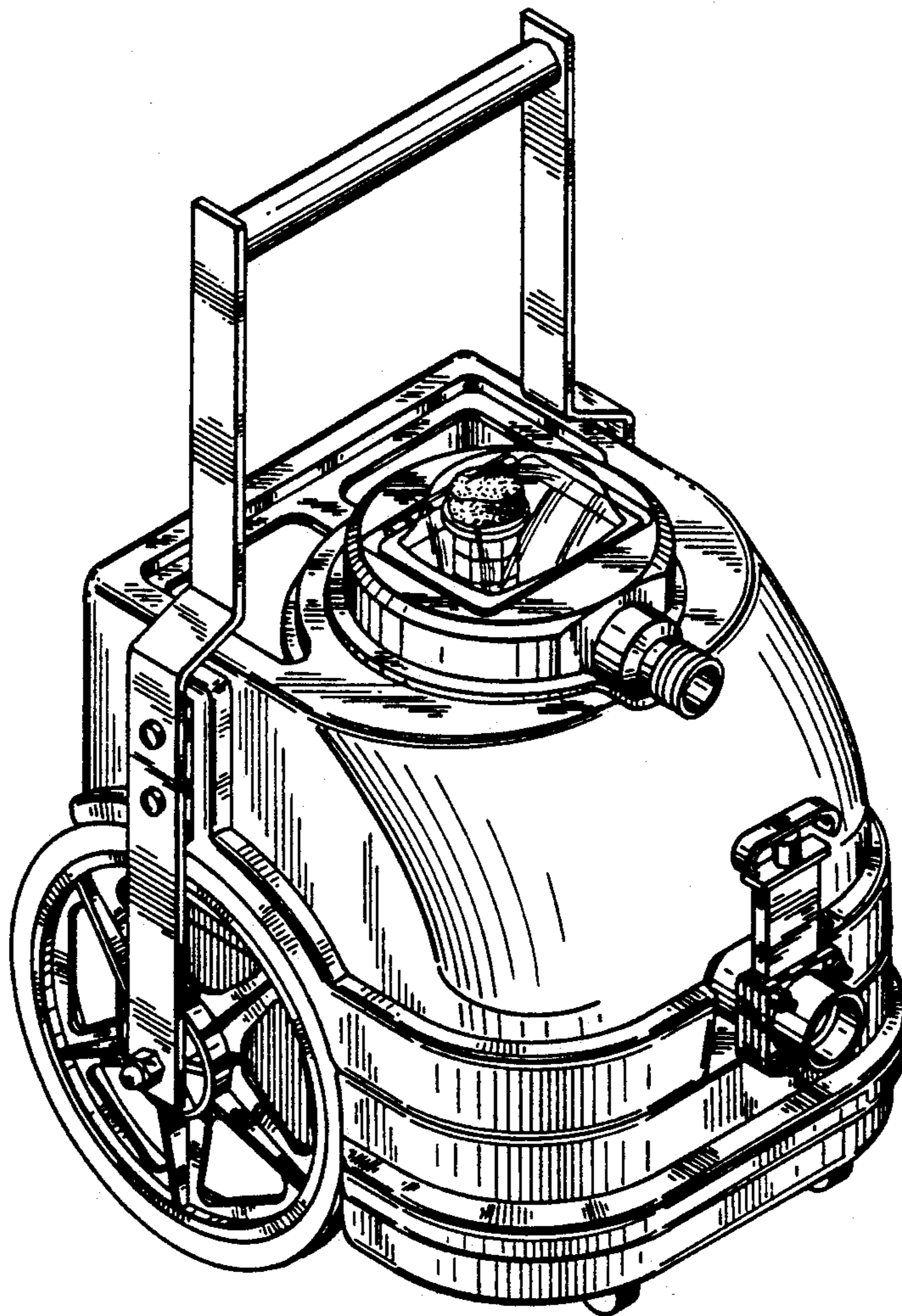
## DESCRIPTION

FIG. 1 is a perspective of a carpet cleaning machine showing our new design;  
FIG. 2 is a front elevational view thereof;  
FIG. 3 is a right side elevational view thereof, the left side being a mirror image;  
FIG. 4 is a rear elevational view thereof;  
FIG. 5 is a top plan view thereof; and,  
FIG. 6 is a bottom plan view thereof.

## [56] References Cited

### U.S. PATENT DOCUMENTS

D. 253,472	11/1979	Cannon et al. ....	D32/23
D. 255,357	6/1980	Brooks et al. ....	D32/23
D. 292,336	10/1987	Kieft et al. ....	D32/23
D. 318,543	7/1991	Shero .....	D32/23



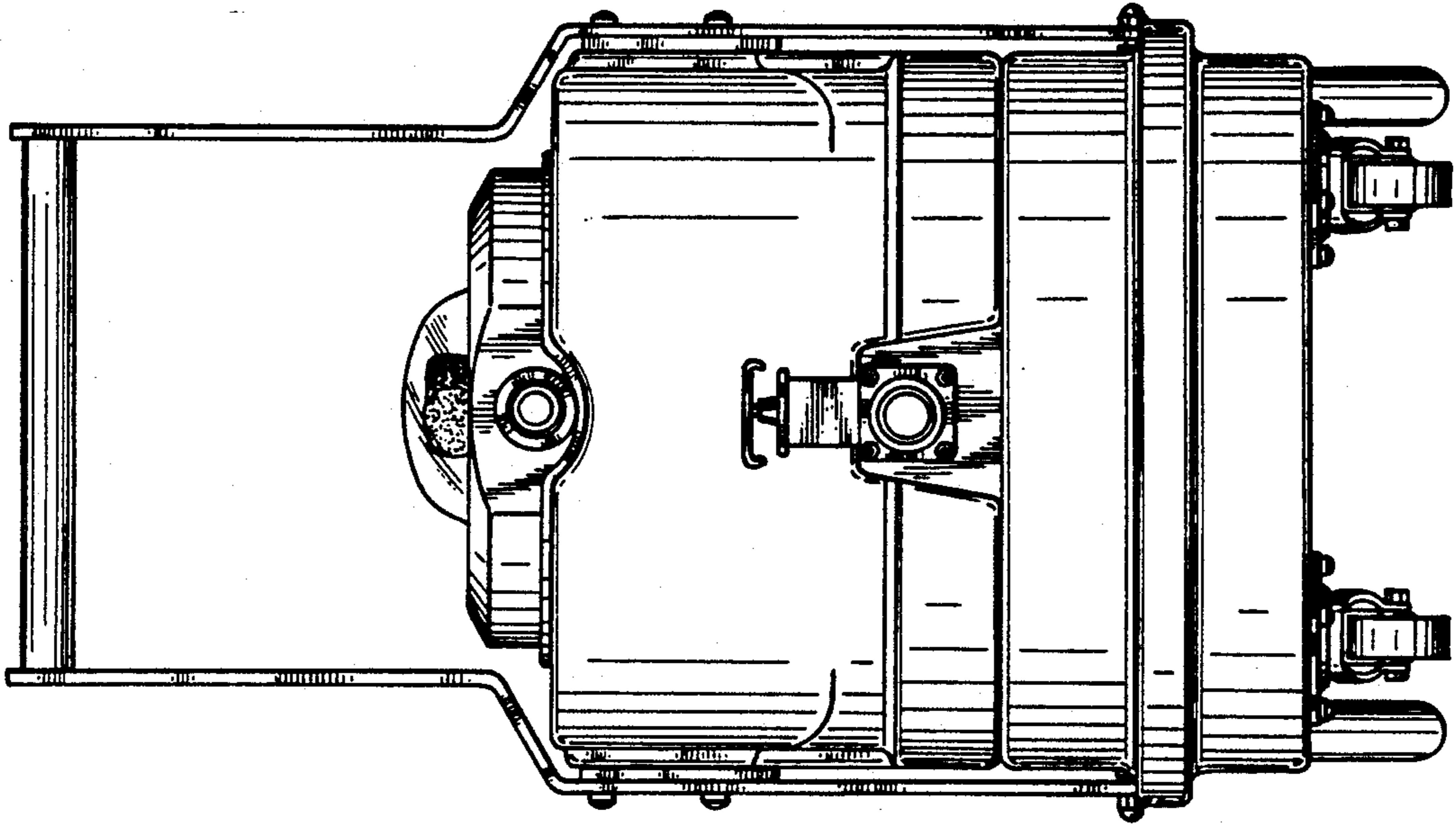


FIG. 2

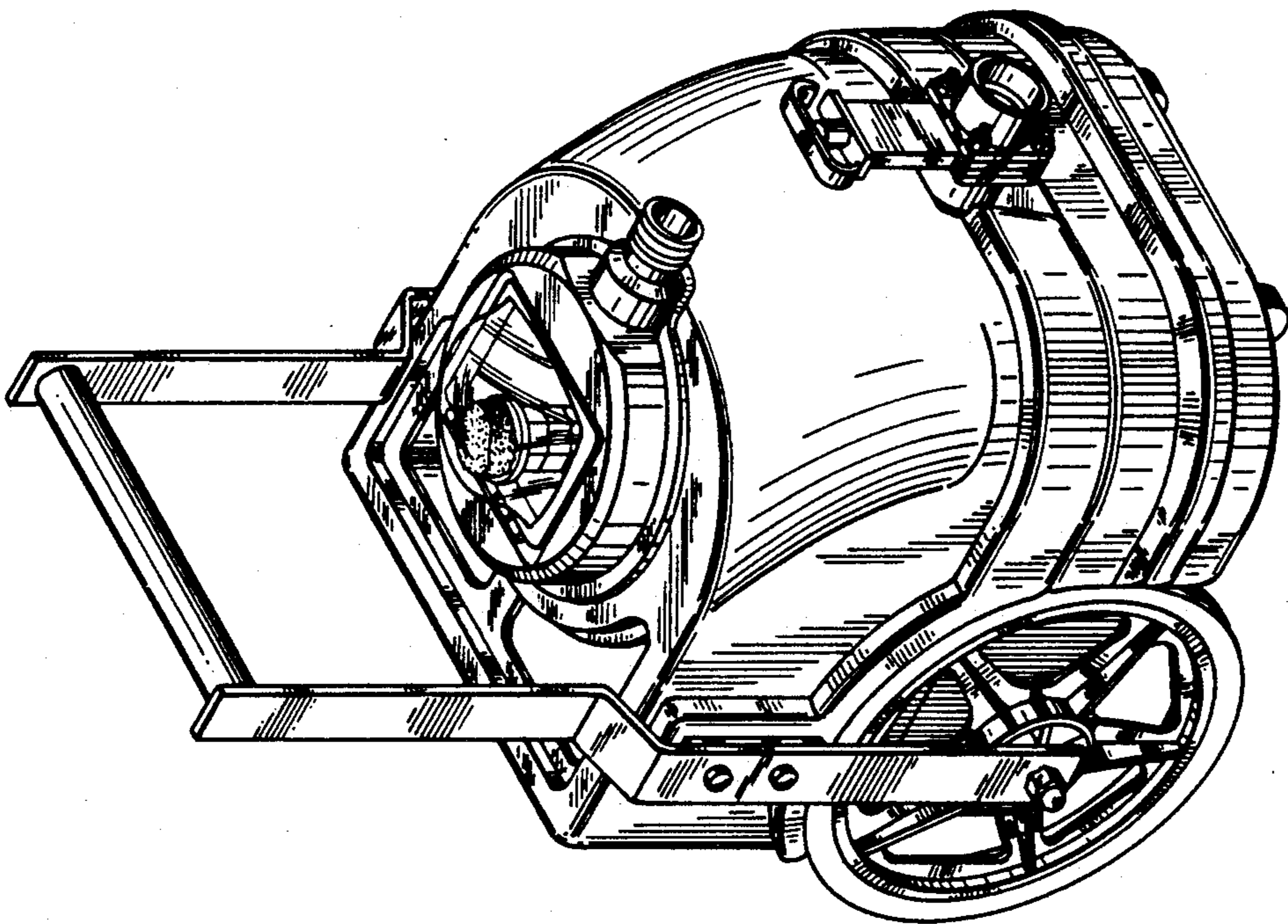


FIG. 1



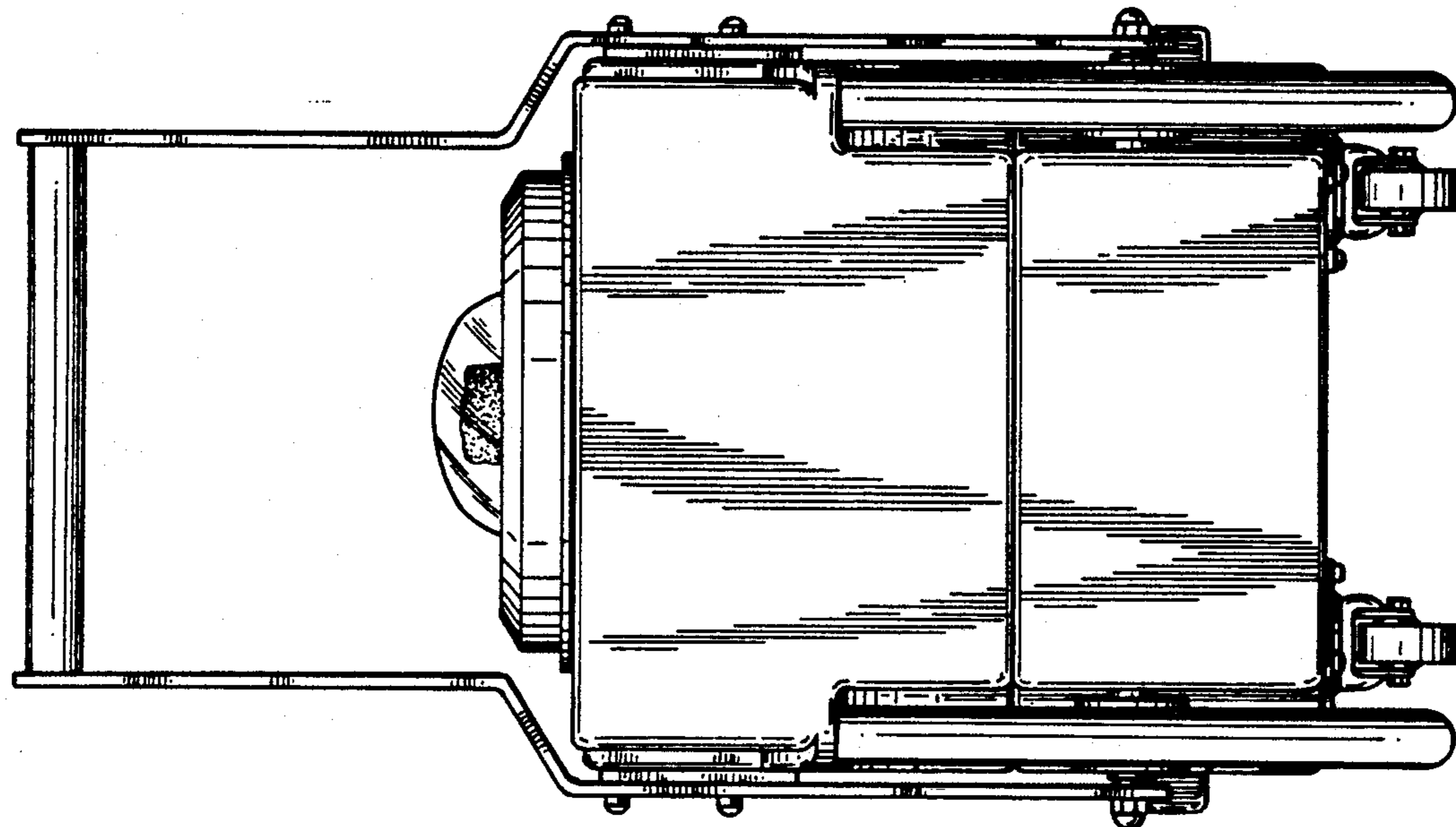


FIG. 4

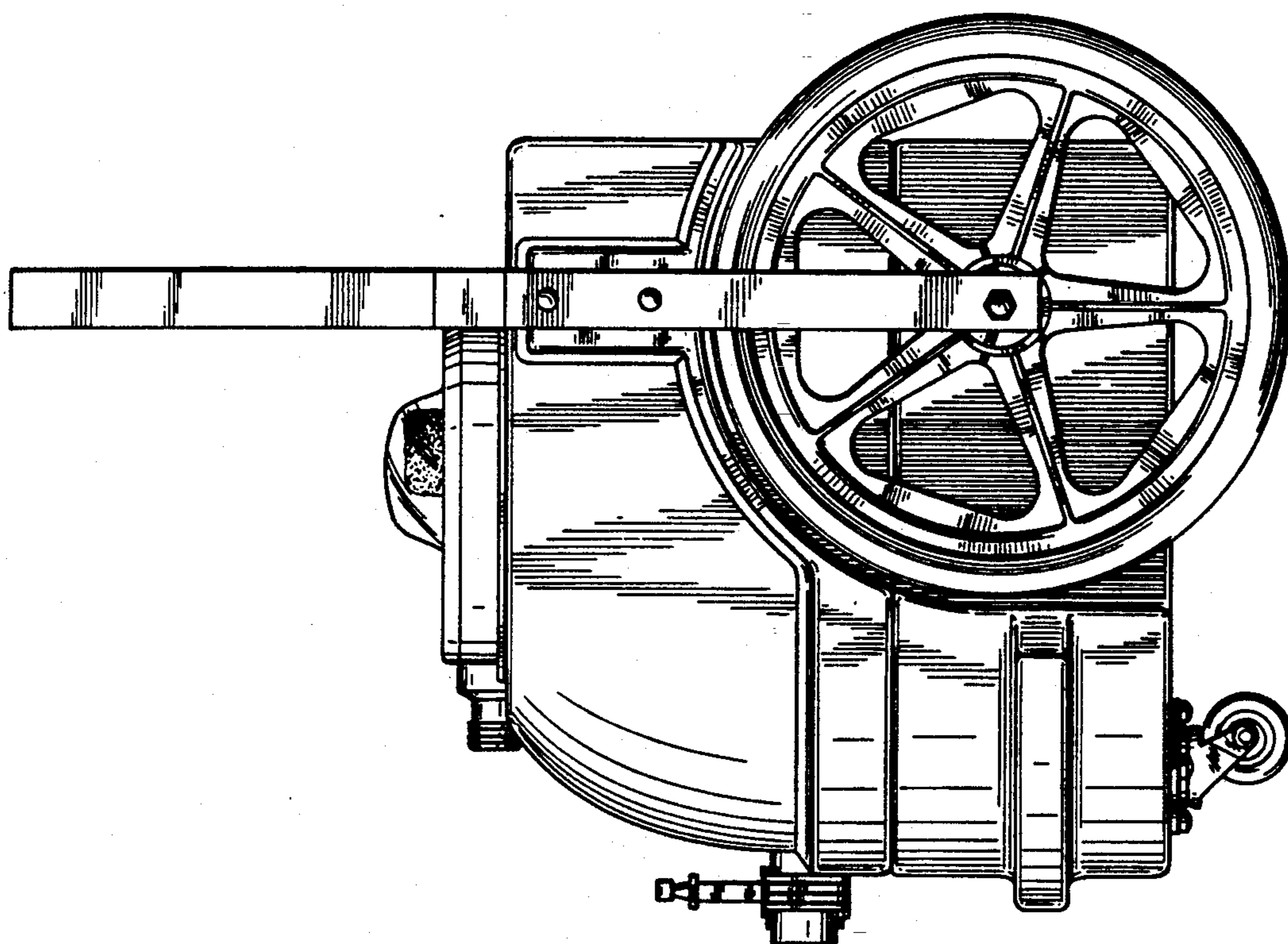


FIG. 3

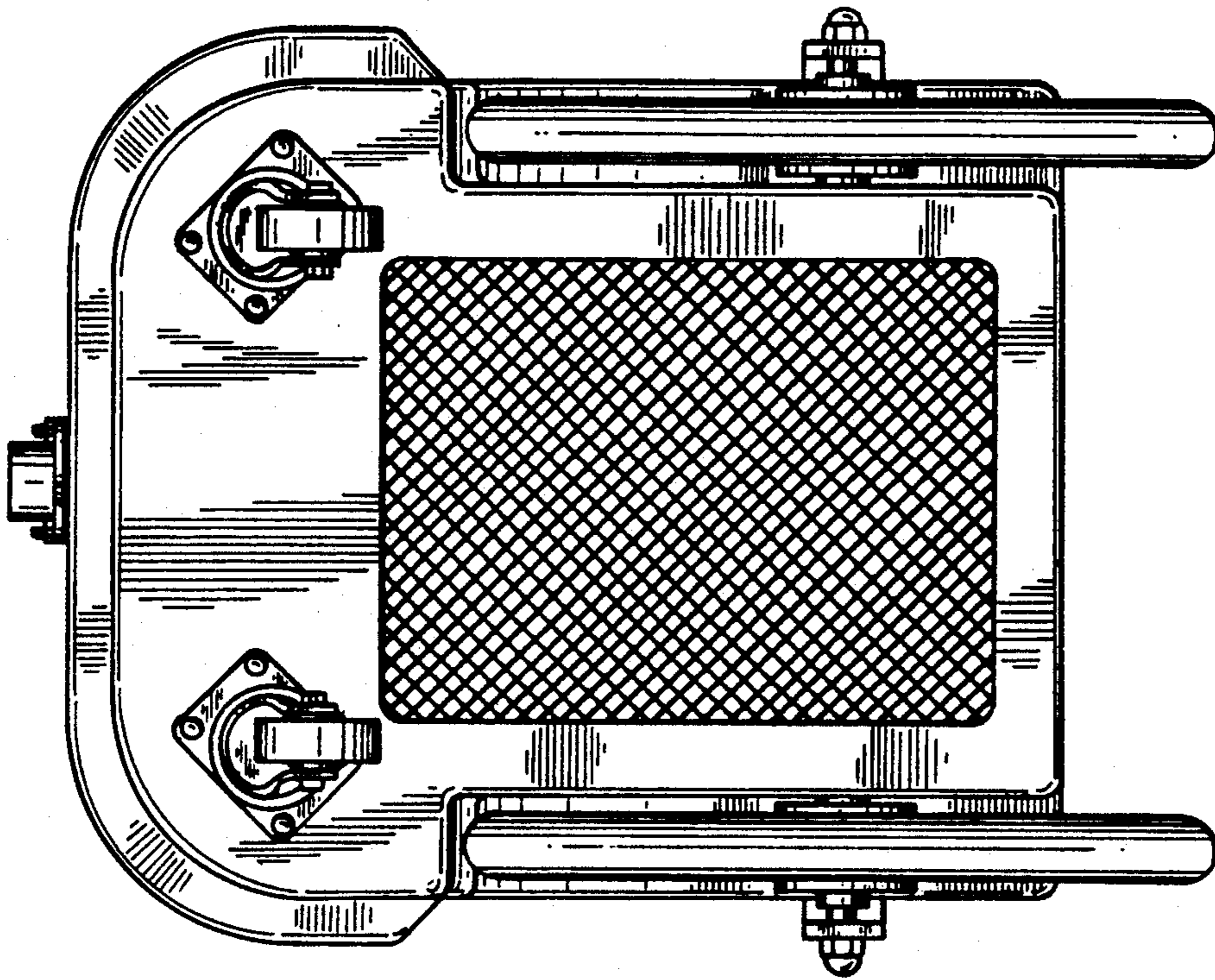


FIG. 6

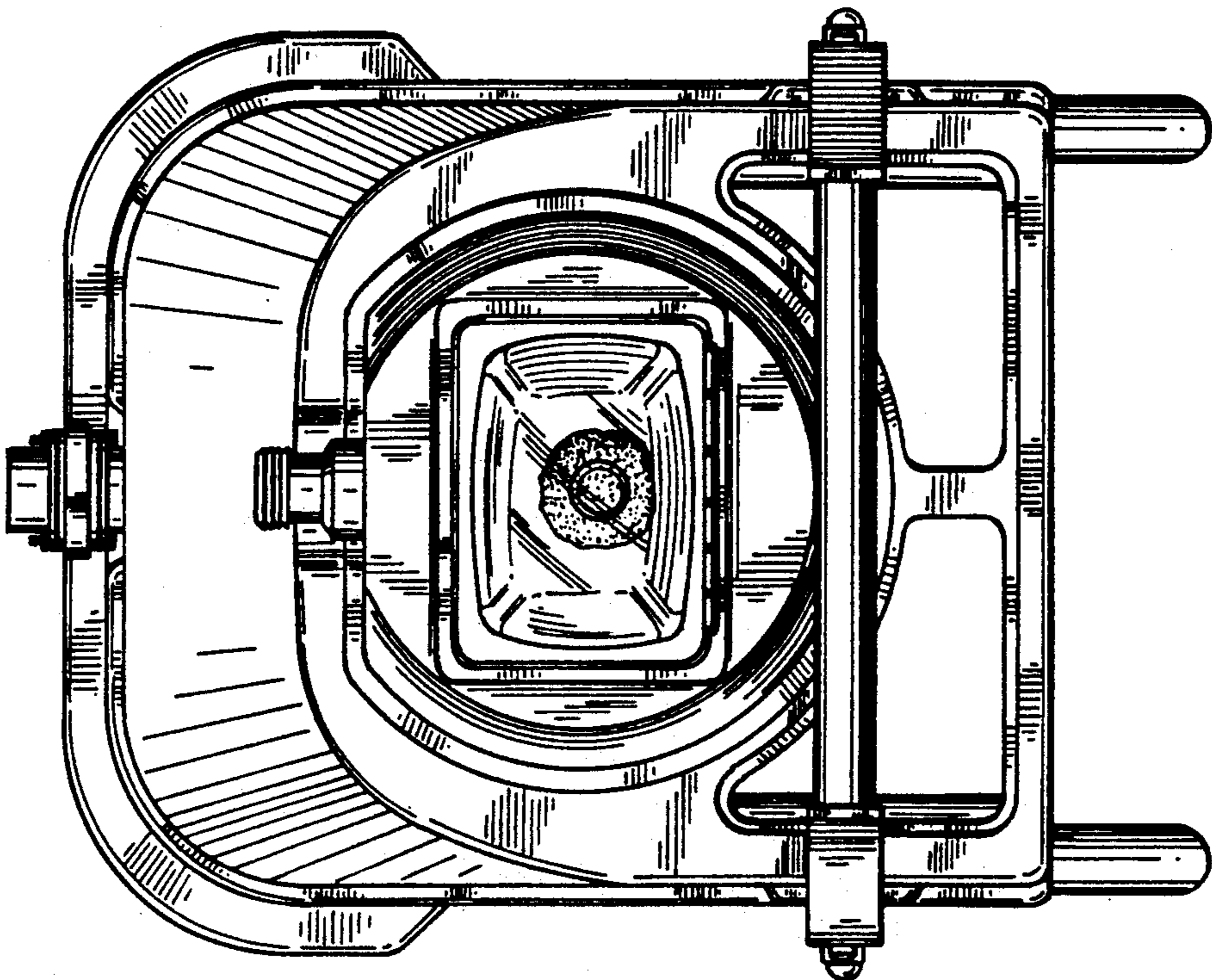


FIG. 5