



US00D338291S

United States Patent [19]

Palmer et al.

[11] Patent Number: **Des. 338,291**

[45] Date of Patent: **** Aug. 10, 1993**

[54] FLOOR SCRUBBING MACHINE

[75] Inventors: **Gary E. Palmer, Roselle; Ronald J. Smith, Carol Stream; Jaime R. Valadez, Medinah, all of Ill.**

[73] Assignee: **Hako Minuteman, Inc., Addison, Ill.**

[**] Term: **14 Years**

[21] Appl. No.: **574,912**

[22] Filed: **Aug. 29, 1990**

[52] U.S. Cl. **D32/19**

[58] Field of Search **D32/1, 15-16, D32/19-22; 15/320, 321, 340.2, 340.3, 340.4, 49.1, 50.1, 50.3, 52.1, 78, 79.1, 79.2, 82, 87**

[56] **References Cited**

U.S. PATENT DOCUMENTS

| | | | |
|------------|--------|---------------------|--------|
| D. 183,080 | 6/1958 | Ashton | D32/16 |
| D. 183,552 | 9/1958 | Baranov et al. | D32/16 |
| D. 202,170 | 9/1965 | Little et al. | D32/16 |
| D. 255,356 | 6/1980 | Block | D32/16 |

| | | | |
|------------|---------|--------------------|--------|
| D. 258,963 | 4/1981 | Phillips | D32/16 |
| D. 263,475 | 3/1982 | Block | D32/16 |
| D. 273,621 | 4/1984 | Haub et al. | D32/16 |
| D. 290,053 | 5/1987 | Block | D32/15 |
| D. 290,054 | 5/1987 | Block | D32/15 |
| D. 298,479 | 11/1988 | Jacobs et al. | D32/16 |

Primary Examiner—Ruth McInroy
Attorney, Agent, or Firm—Emrich & Dithmar

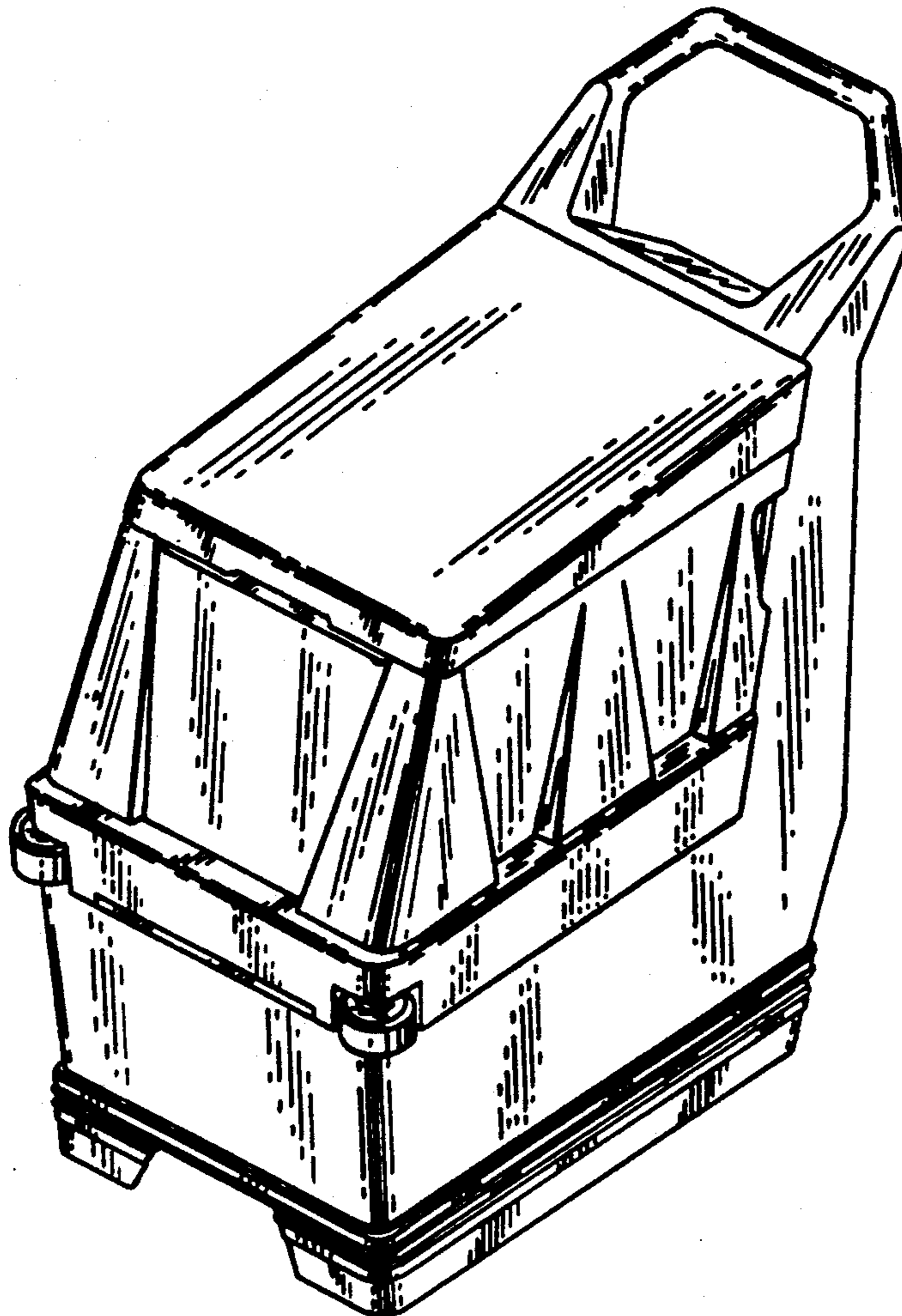
[57] **CLAIM**

The ornamental design for a floor scrubbing machine, as shown and described.

DESCRIPTION

FIG. 1 is a top, front and left side perspective view of a floor scrubbing machine showing our new design; FIG. 2 is a top plan view thereof; FIG. 3 is a front elevational view thereof; FIG. 4 is a rear elevational view thereof; and, FIG. 5 is a right side elevational view thereof, the left side being a mirror image.

The undisclosed bottom view is plain and unornamented.



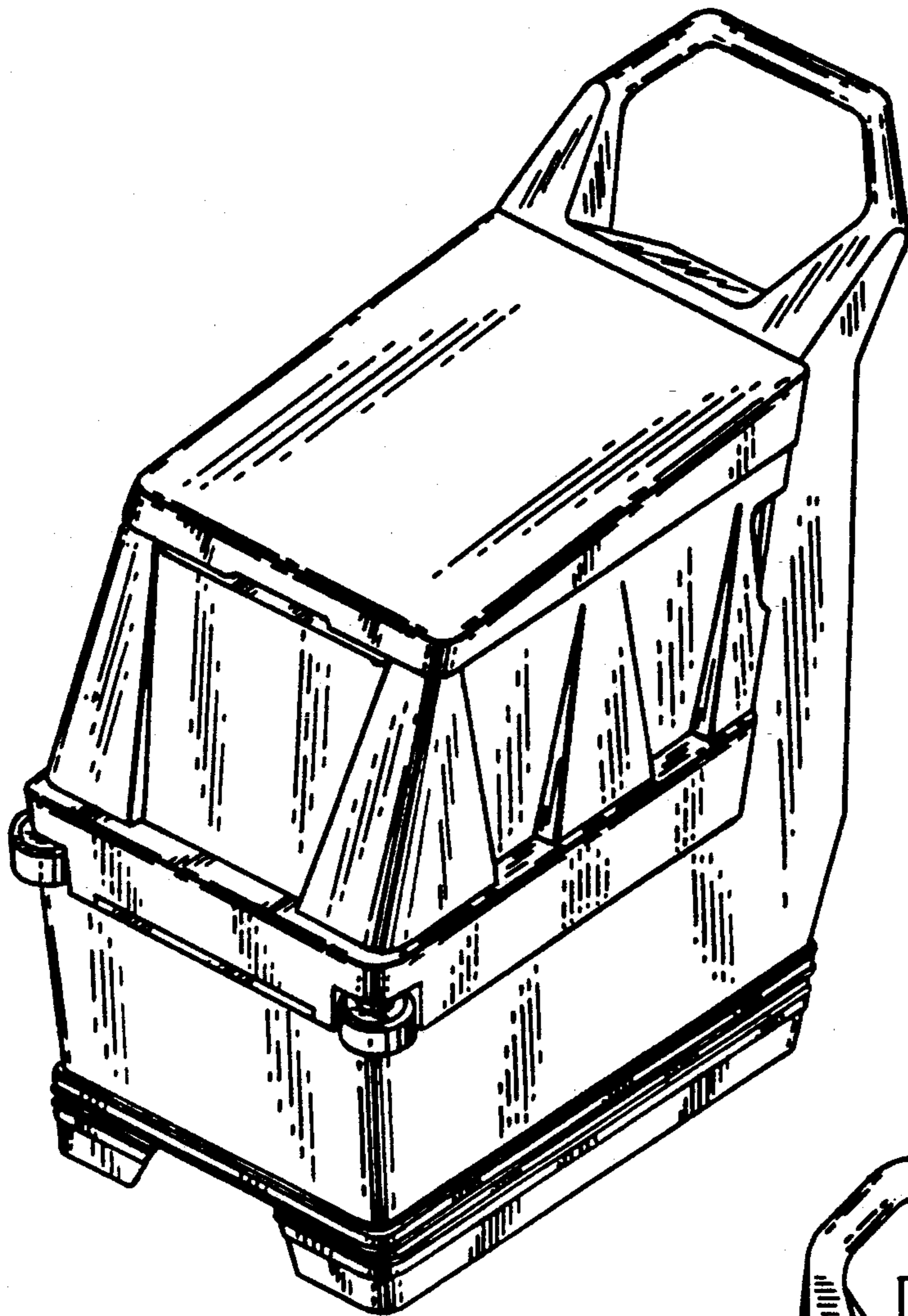


FIG. 1

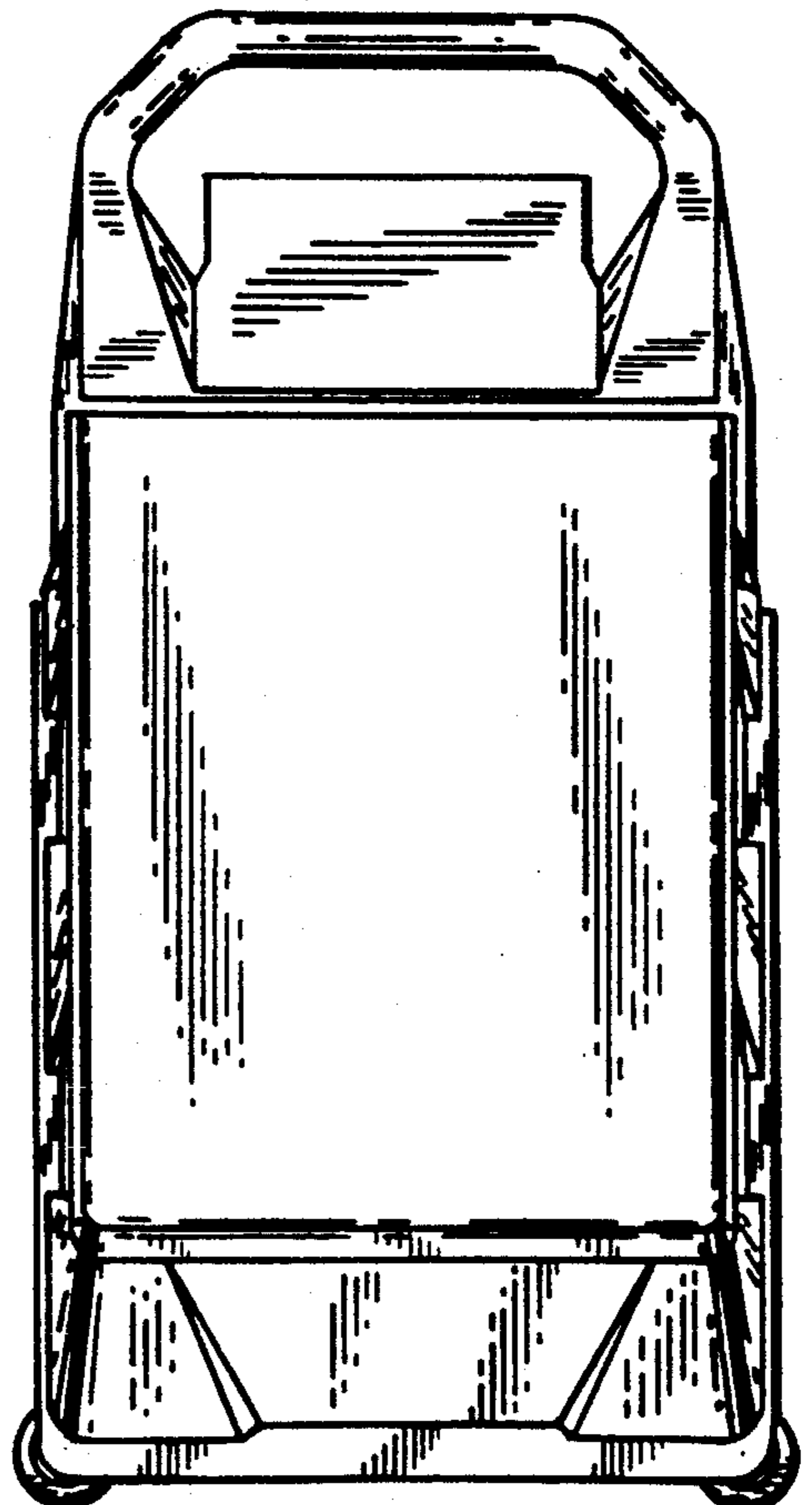


FIG. 2

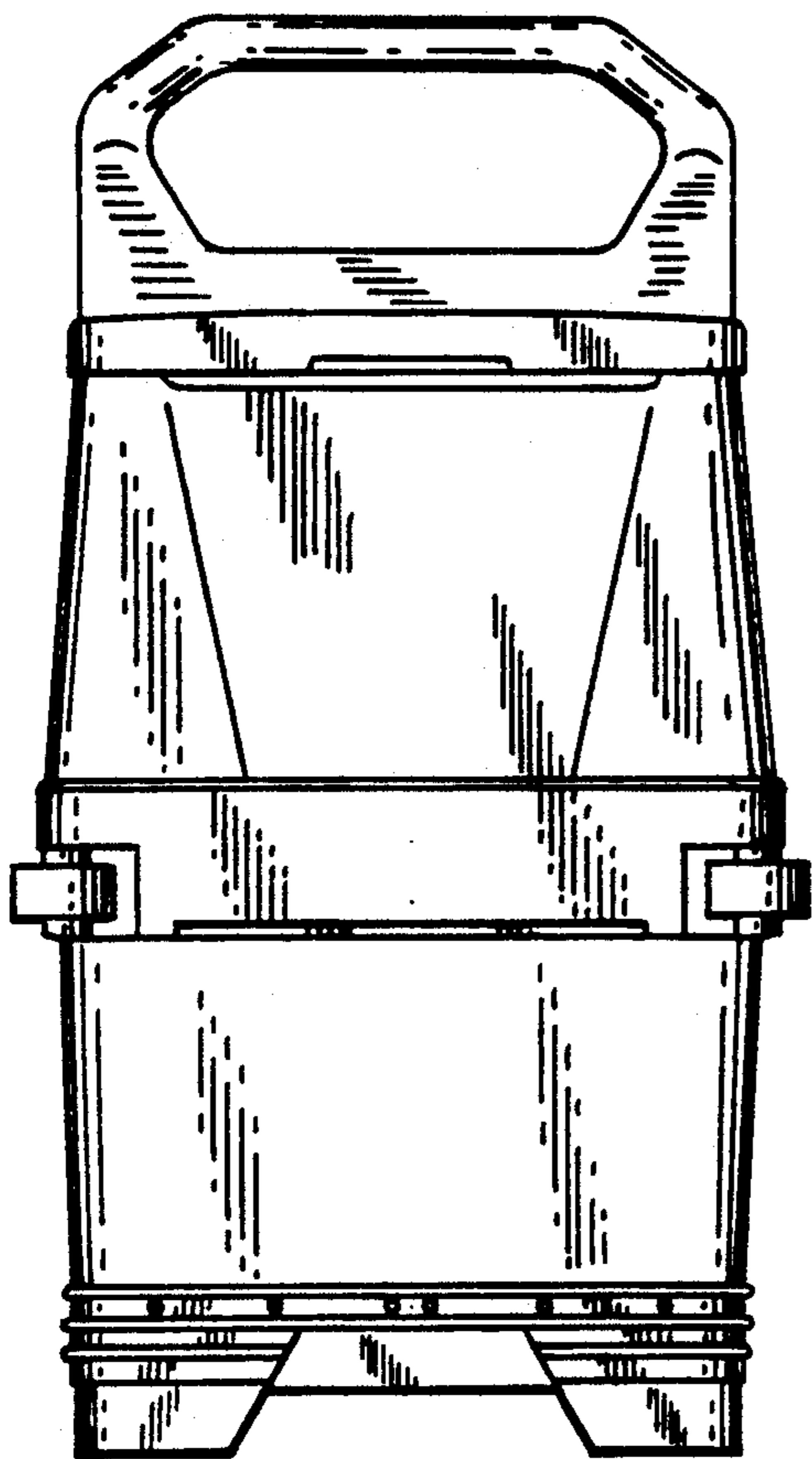


FIG. 3

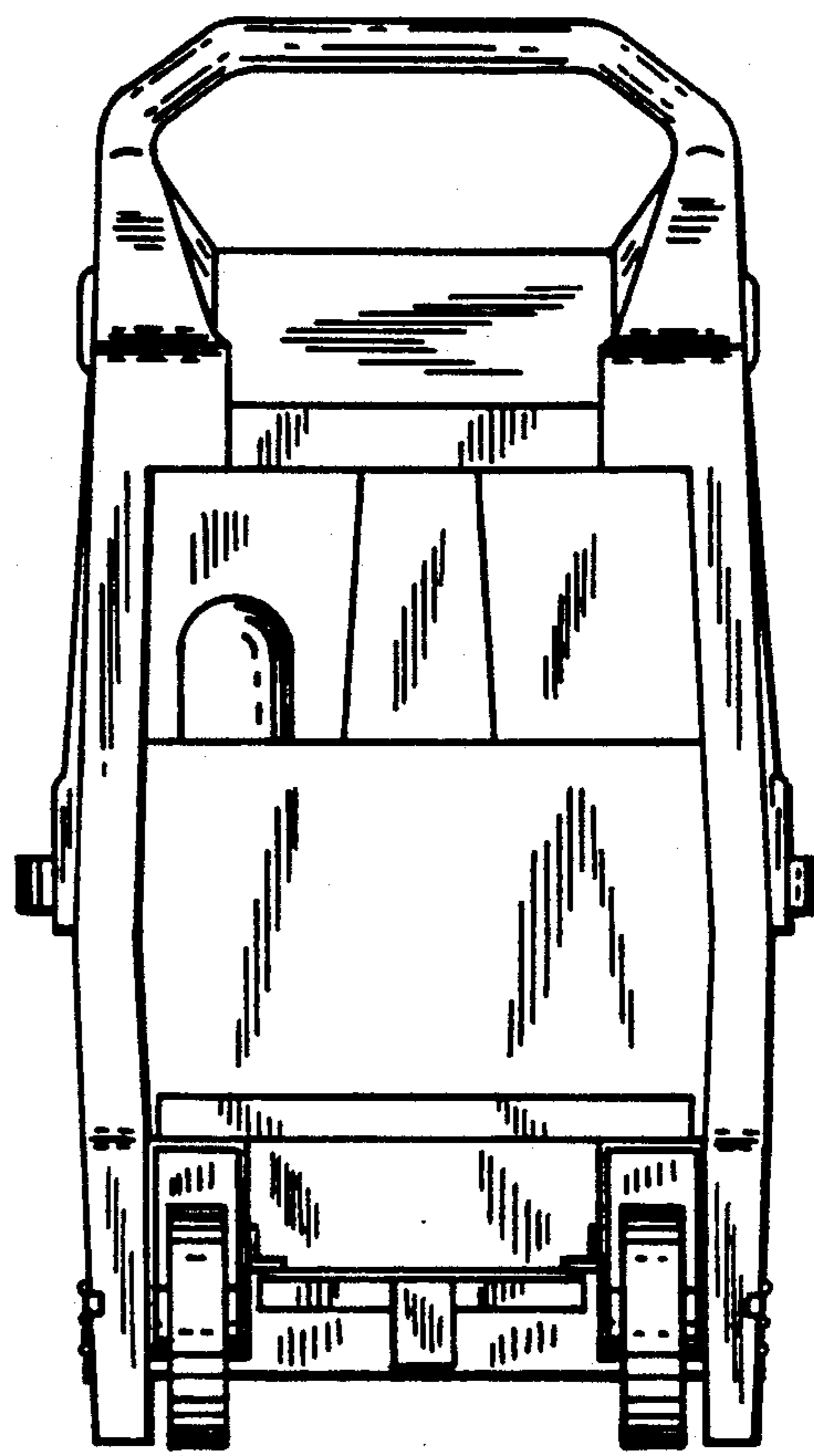


FIG. 4

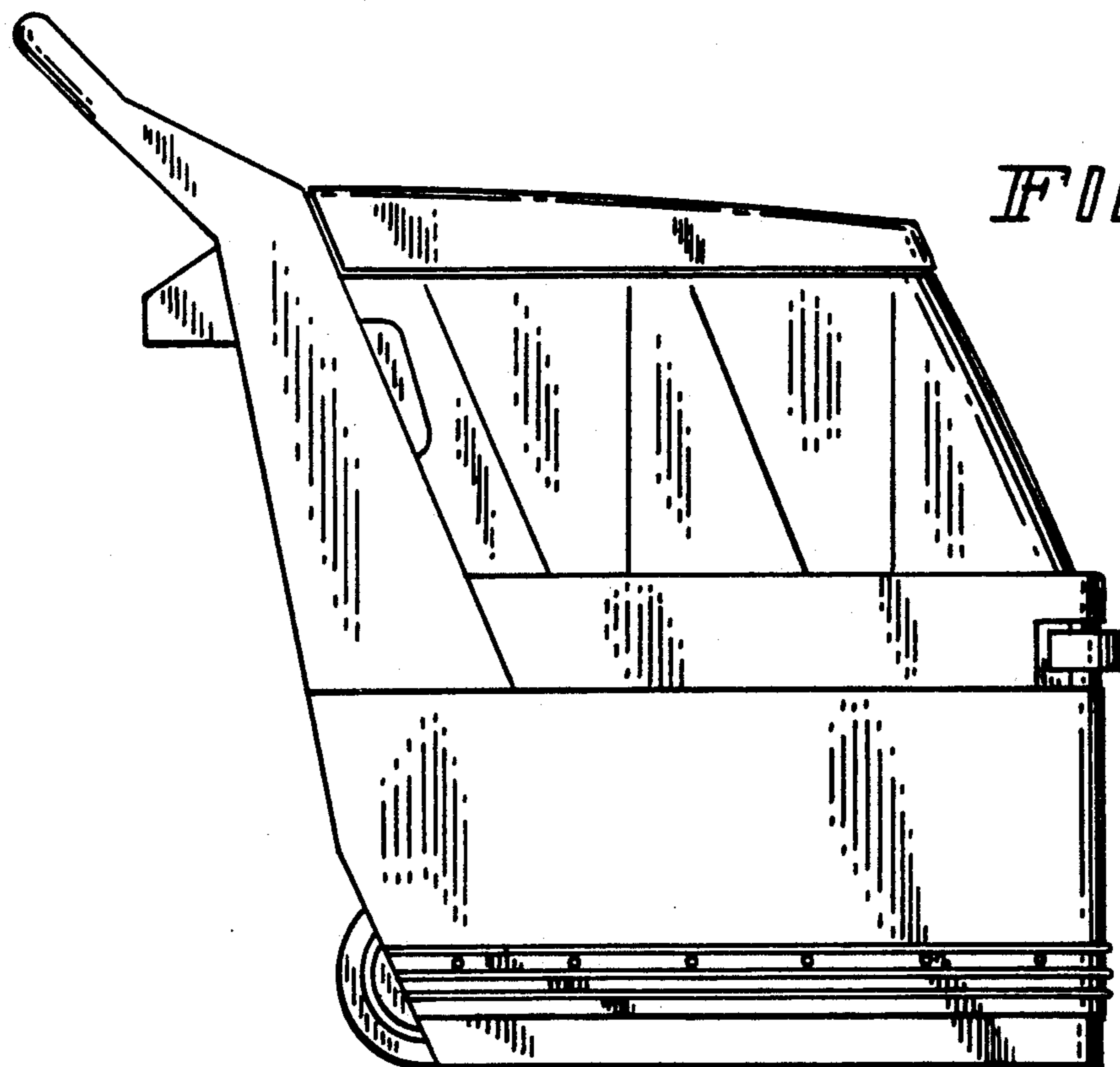


FIG. 5