



US00D338276S

United States Patent [19] Cole

[11] Patent Number: **Des. 338,276**

[45] Date of Patent: **** Aug. 10, 1993**

[54] WINDOW COMPONENT EXTRUSION

[75] Inventor: Douglas L. Cole, Seattle, Wash.

[73] Assignee: Mikron Industries, Kent, Wash.

[**] Term: 14 Years

[21] Appl. No.: 816,081

[22] Filed: Dec. 30, 1991

[52] U.S. Cl. D25/122

[58] Field of Search D25/122, 124; 49/501,
49/504, DIG. 2

D. 270,737	9/1983	Ericsson	D25/122
3,555,735	1/1976	Weikert	49/501
4,084,347	4/1978	Brown	49/501
4,237,665	12/1980	Molgneux	49/504

Primary Examiner—A. Hugo Word
Assistant Examiner—Doris Clark
Attorney, Agent, or Firm—Seed and Berry

[57] **CLAIM**

The ornamental design for a window component extrusion, as shown and described.

DESCRIPTION

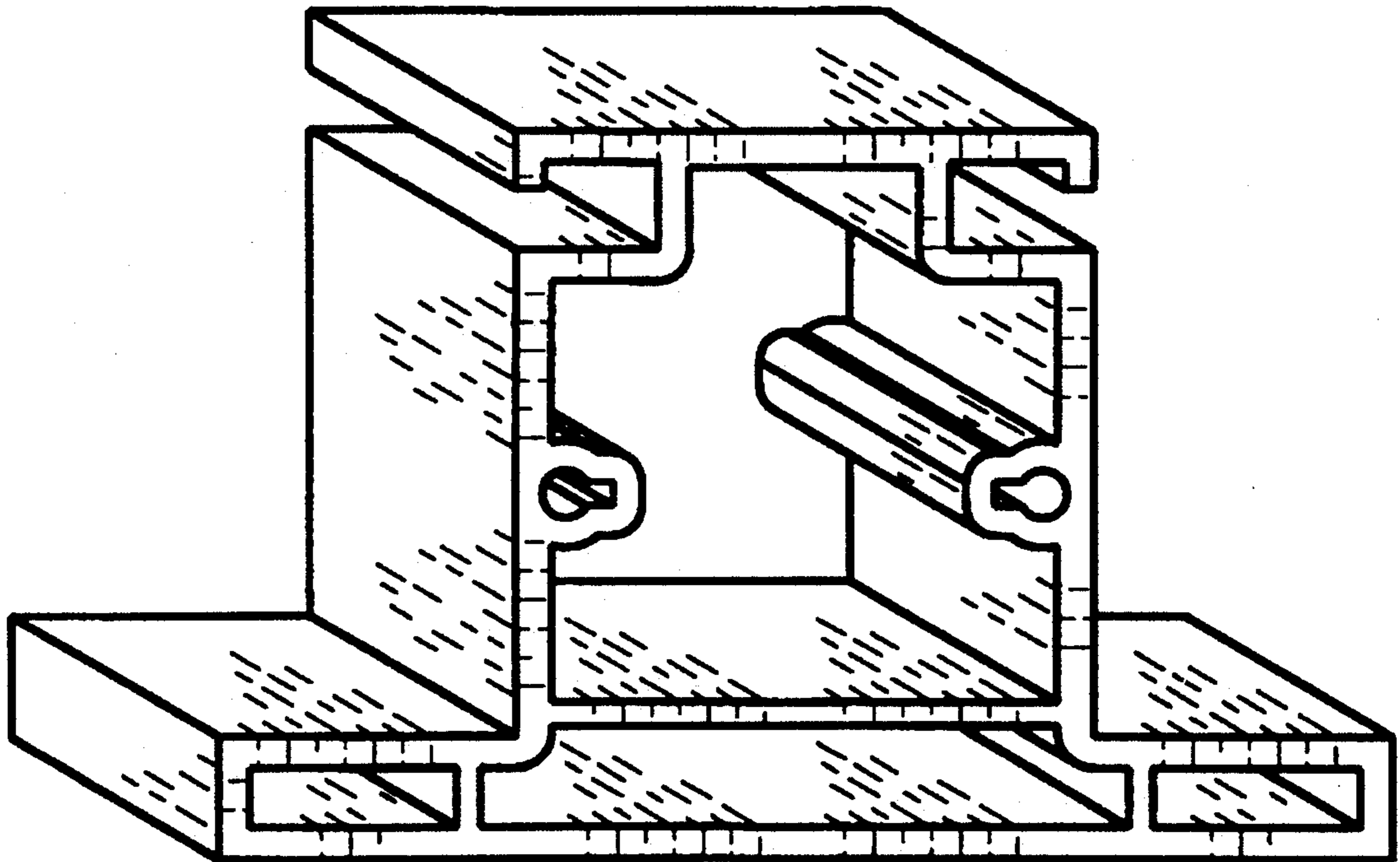
FIG. 1 is a perspective view of a window component extrusion showing my new design viewed from the top right; and,

FIG. 2 is a perspective view thereof viewed from the bottom left.

[56] **References Cited**

U.S. PATENT DOCUMENTS

D. 233,034	10/1974	Donne	D25/124
D. 270,660	9/1983	Ort	D25/124



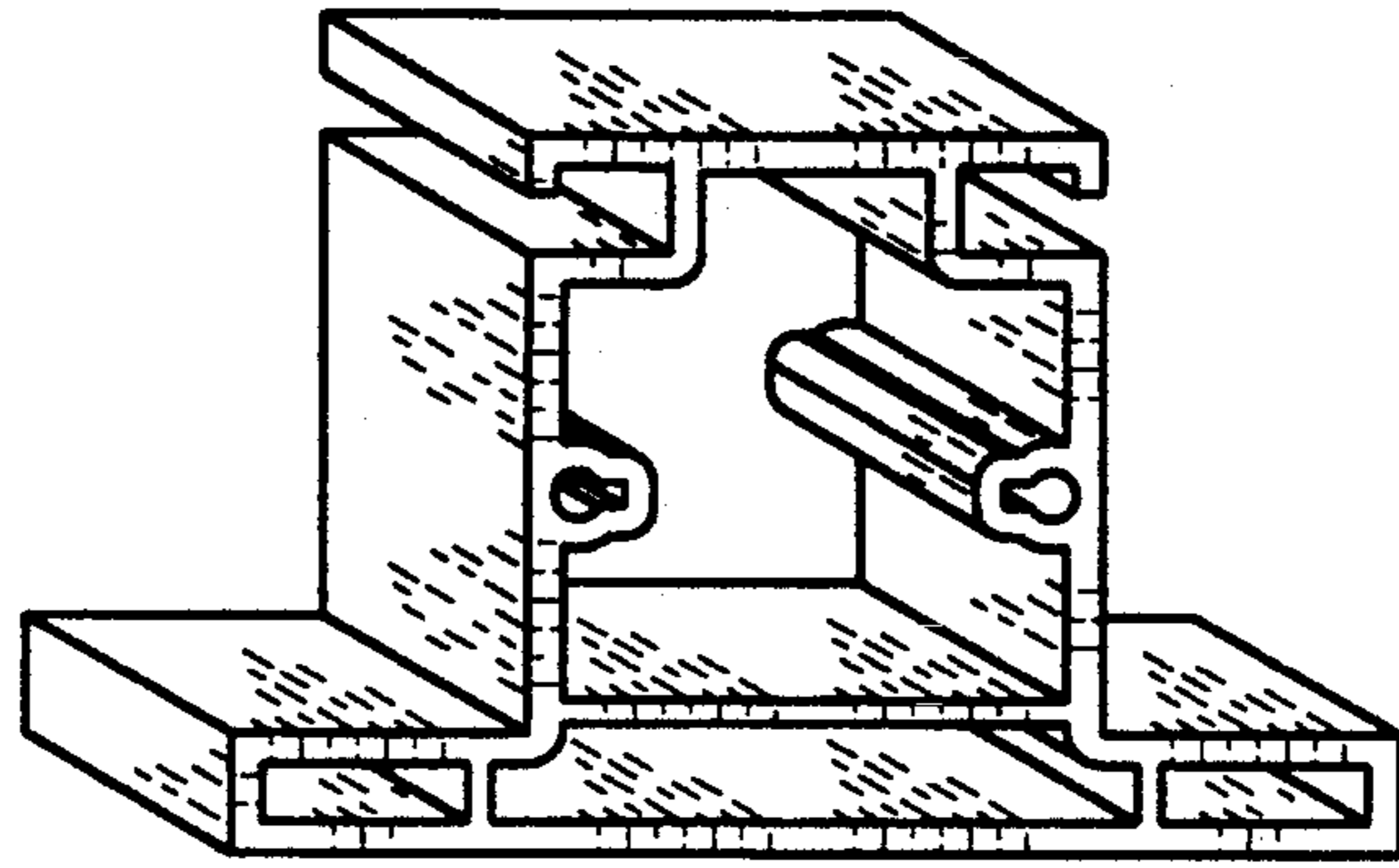


FIG. 1

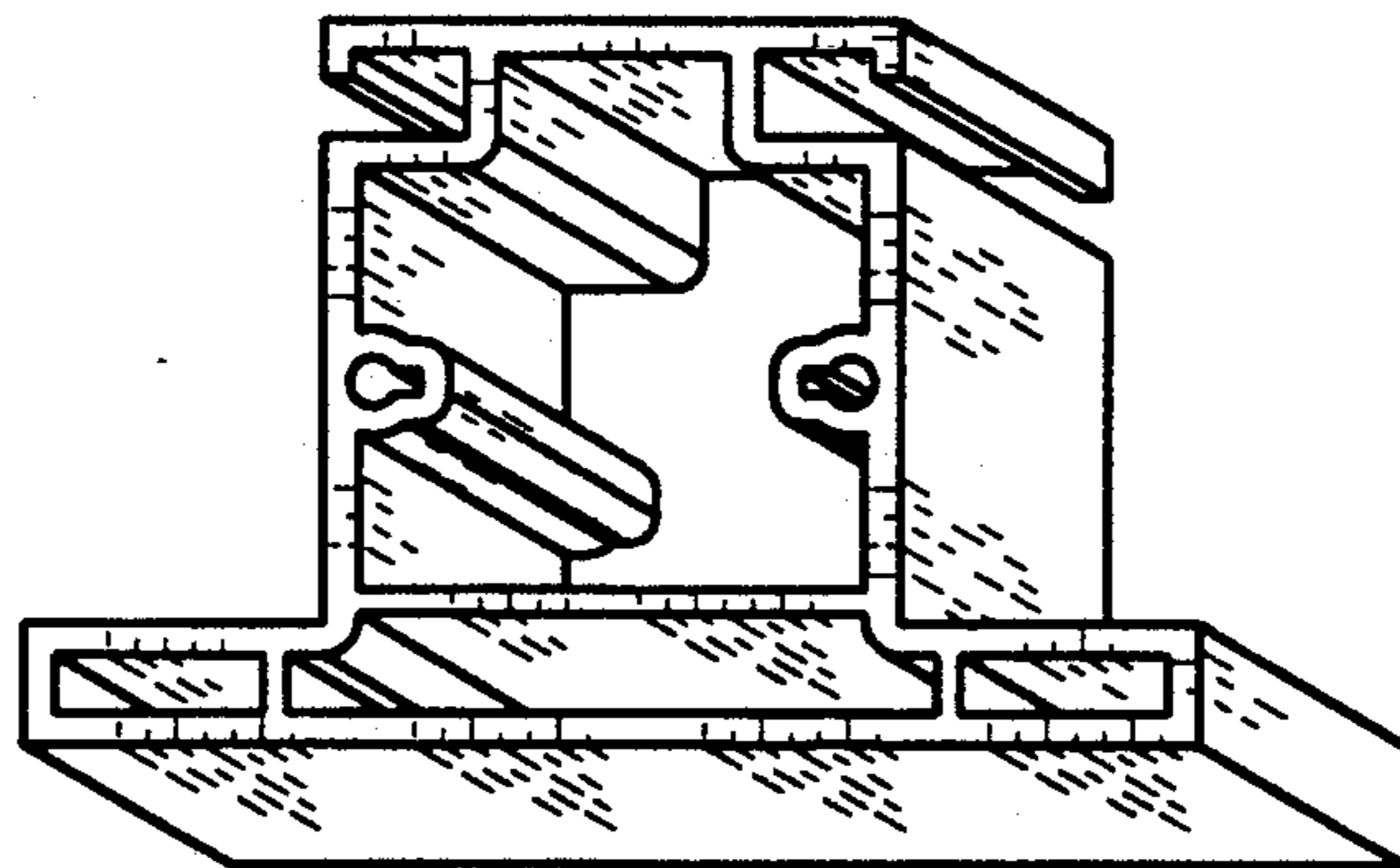


FIG. 2