



US00D338275S

# United States Patent [19]

[11] Patent Number: **Des. 338,275**

Fischer et al.

[45] Date of Patent: **\*\* Aug. 10, 1993**

[54] **COMBINED CLINICAL-CHEMICAL ANALYZER EVALUATION UNIT AND WORK STATION**

5,104,621 4/1992 Pfoest et al. .... 422/65 X

Primary Examiner—Stella Reid

[75] Inventors: **Arthur Fischer, Munich; Heinz-Dieter Engert, Seefeld, both of Fed. Rep. of Germany**

[57] **CLAIM**

The ornamental design for a combined clinical-chemical analyzer evaluation unit and work station, as shown and described.

[73] Assignee: **Bayer Diagnostics, GmbH, Munich, Fed. Rep. of Germany**

### DESCRIPTION

[\*\*] Term: **14 Years**

FIG. 1 is a perspective view of a clinical-chemical analyzer evaluation unit, showing my new design, with cover removed;

[21] Appl. No.: **431,520**

FIG. 2 is a side perspective view thereof, with cover attached;

[22] Filed: **Nov. 3, 1989**

FIG. 3 is a front elevational view thereof;

[30] **Foreign Application Priority Data**

FIG. 4 is a side perspective view thereof, opposite that shown in FIG. 2;

May 3, 1989 [DE] Fed. Rep. of Germany ..... 8903318

[52] U.S. Cl. .... **D24/232; D24/216; D24/223**

FIG. 5 is a rear elevational view thereof;

[58] Field of Search ..... **D24/234, 223, 216, 231, D24/232; 422/65, 67, 63, 64, 100, 102; 436/47, 48; 356/446, 416, 246**

FIG. 6 is a bottom plan view thereof;

FIG. 7 is a perspective view of a work station;

FIG. 8 is a side perspective view thereof;

FIG. 9 is a side perspective view thereof, opposite that shown in FIG. 8;

FIG. 10 is a rear elevational view thereof;

FIG. 11 is a top plan view thereof;

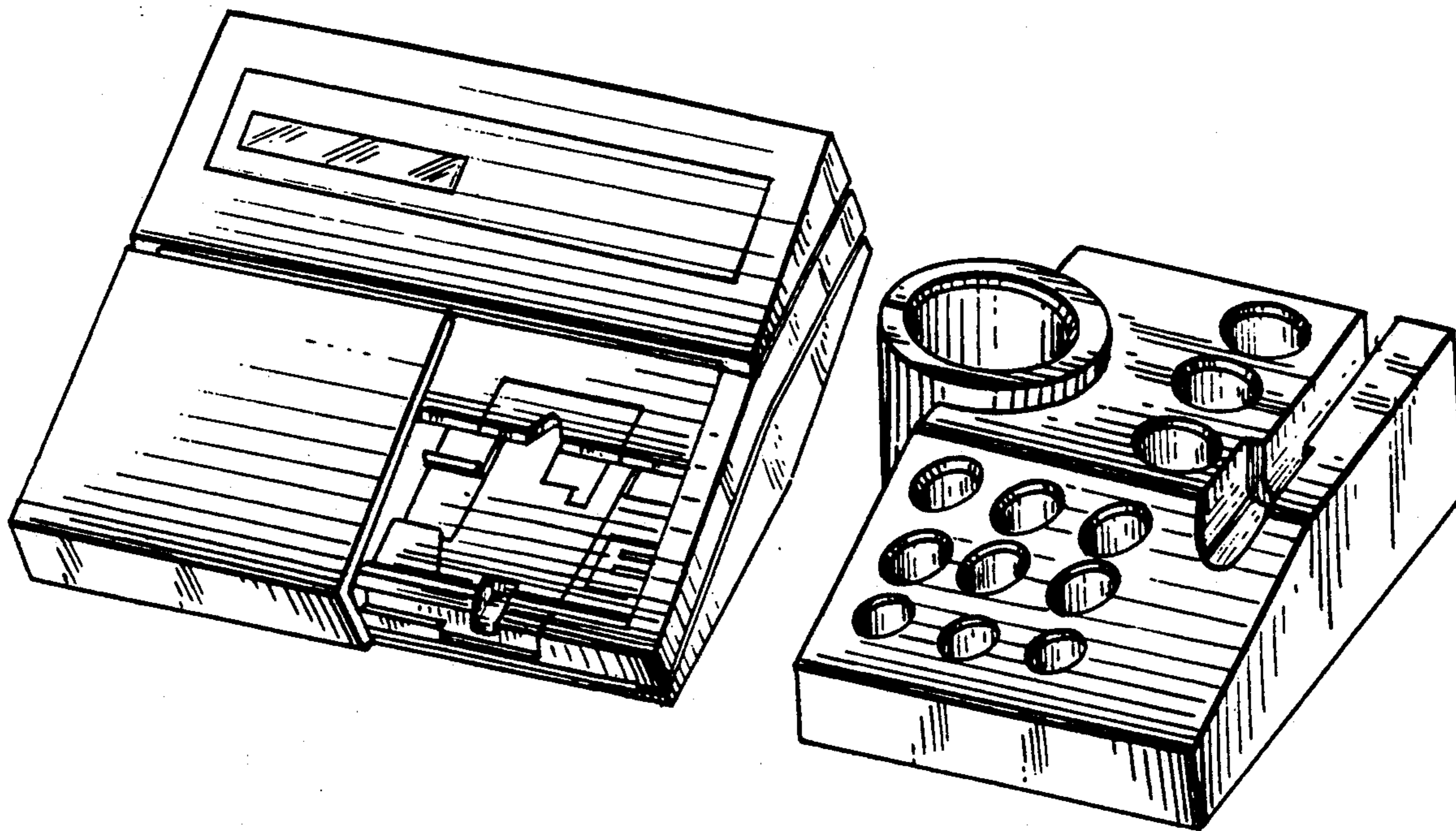
FIG. 12 is a bottom plan view thereof; and,

FIG. 13 is a perspective view of the combined clinical-chemical analyzer evaluation unit and work station with the cover removed on the analyzer.

[56] **References Cited**

### U.S. PATENT DOCUMENTS

4,429,373 1/1984 Fletcher et al. .... 422/65 X  
4,459,265 7/1984 Berglund ..... 422/65 X  
4,791,461 12/1988 Kishimoto et al. .... 356/446



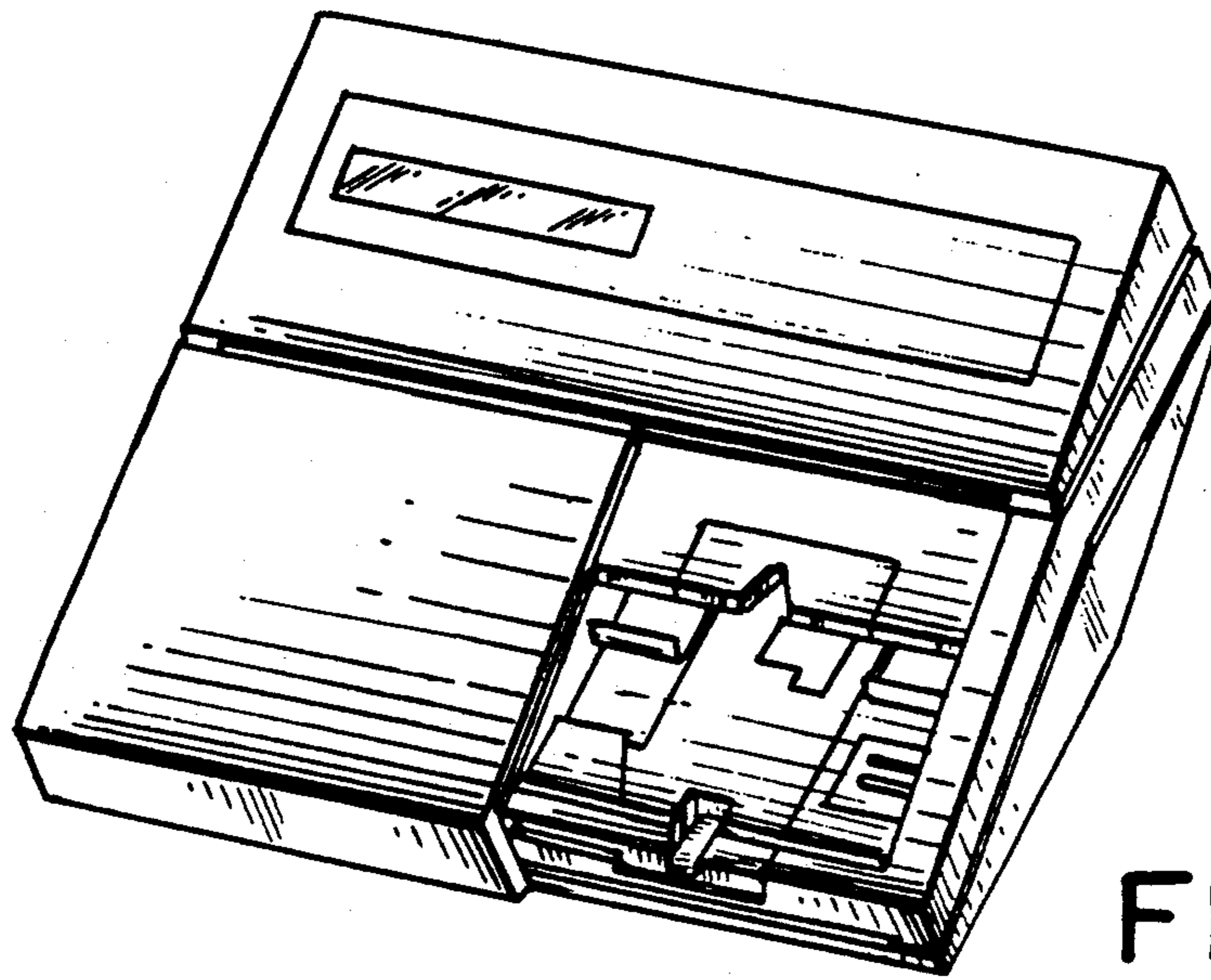


FIG. 1

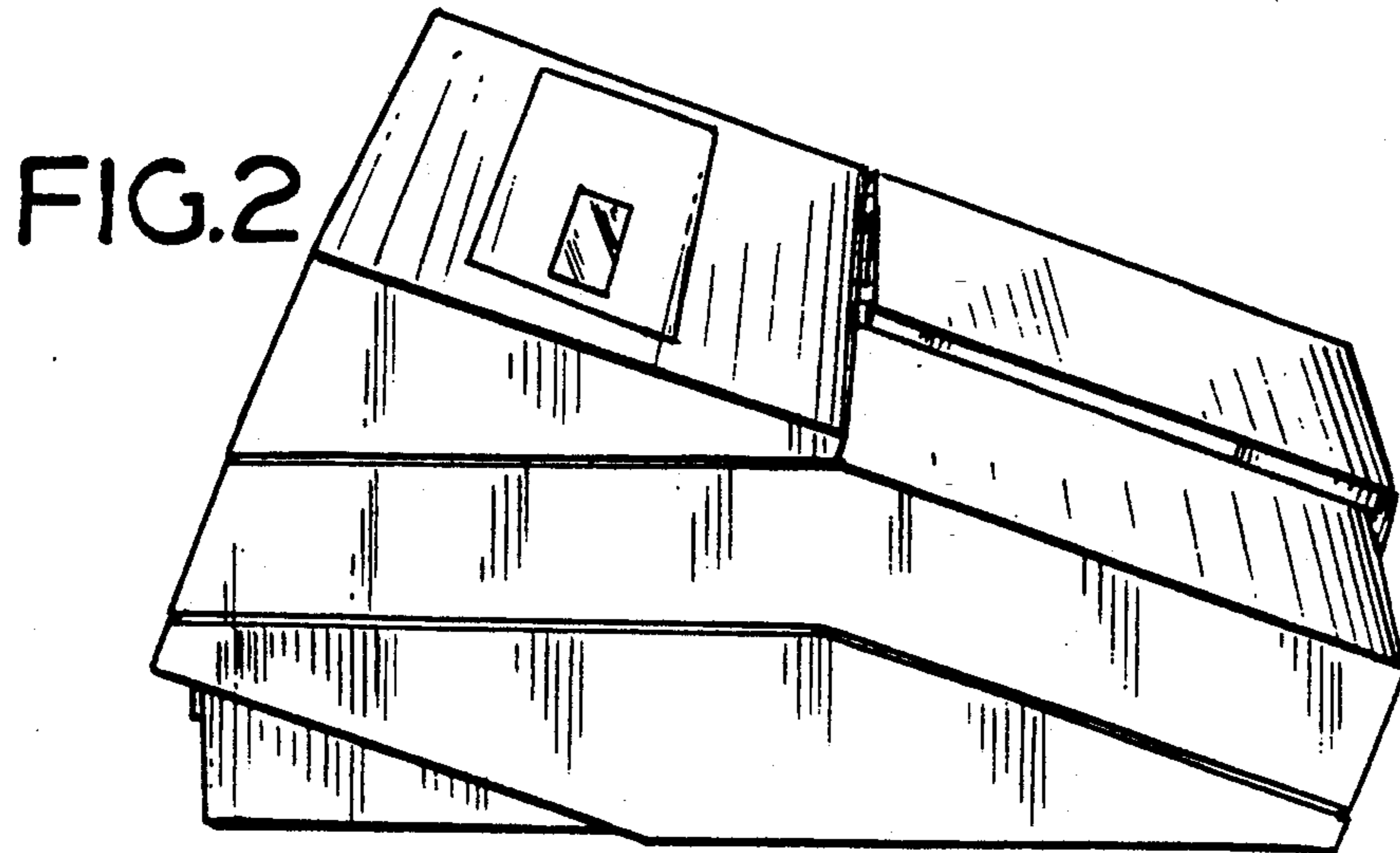


FIG. 2

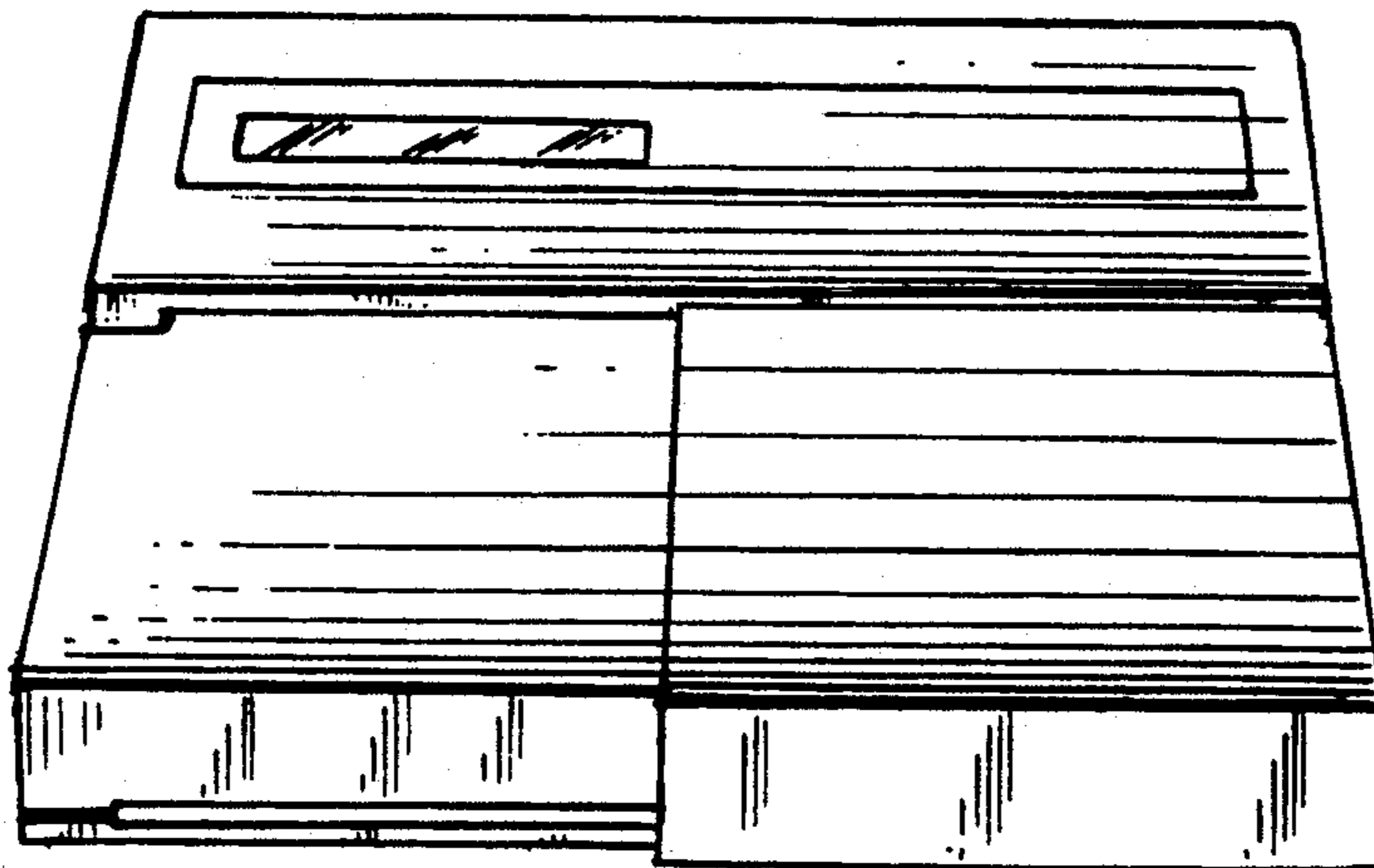


FIG. 3

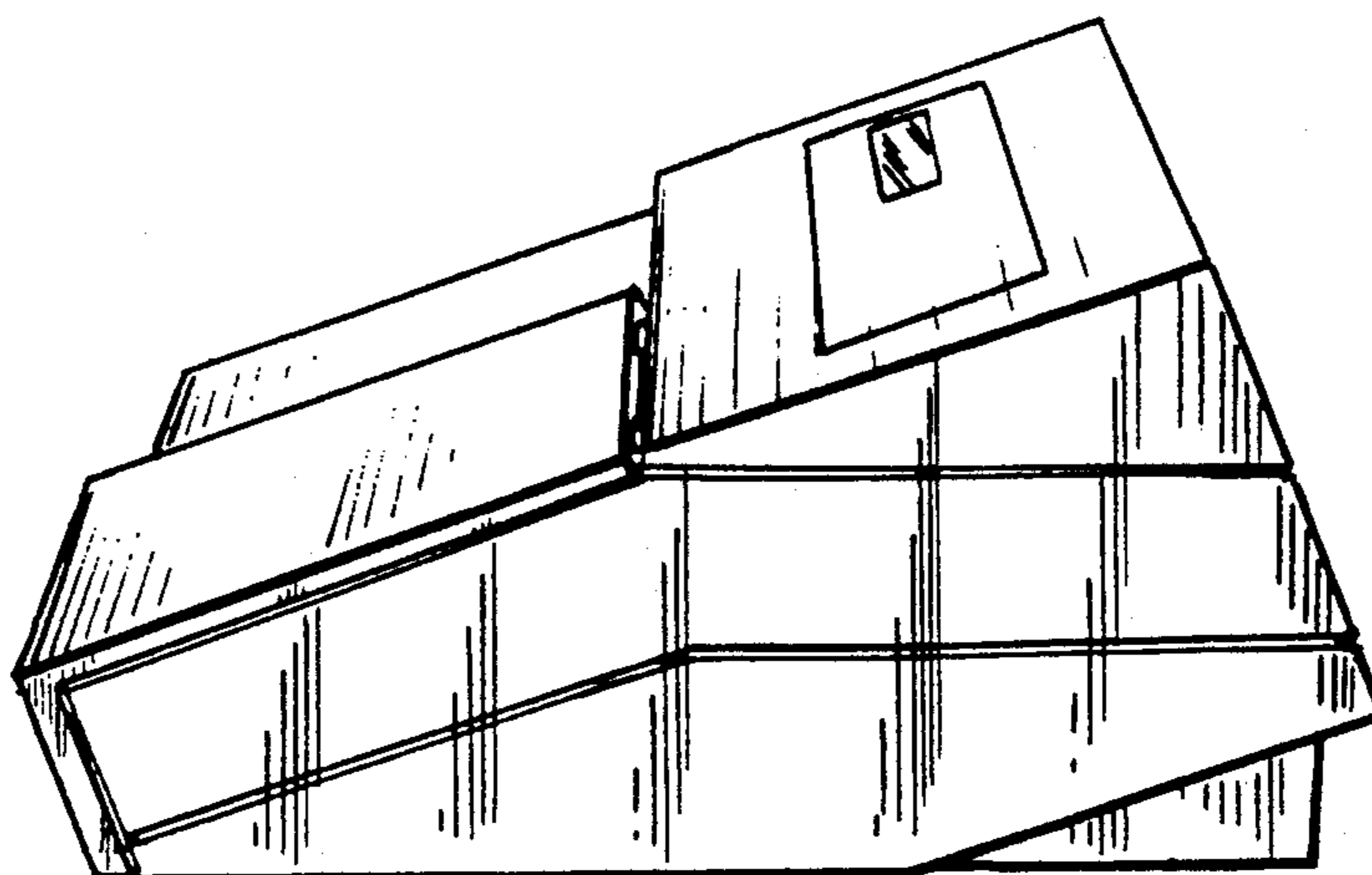


FIG. 4

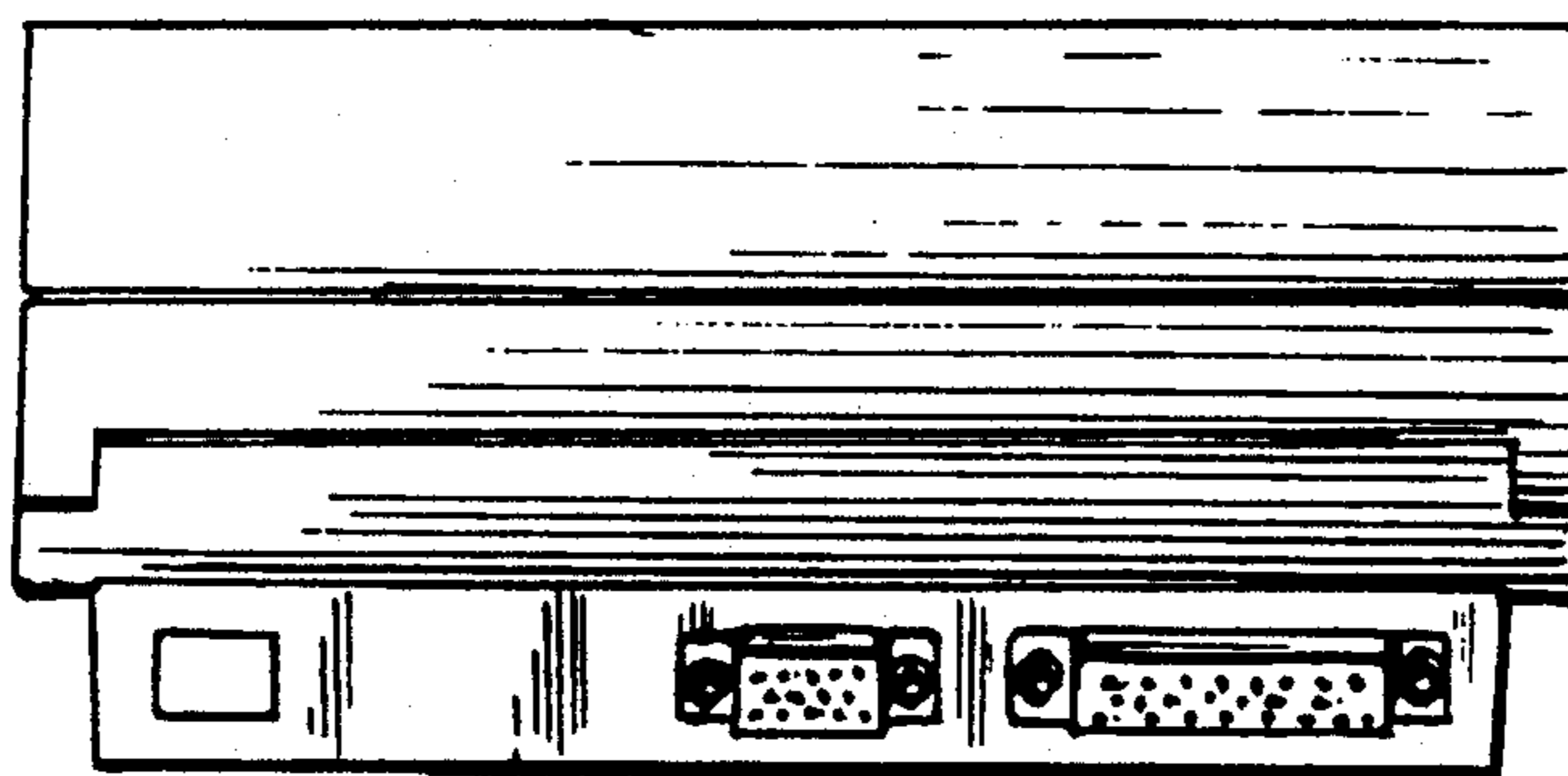


FIG. 5

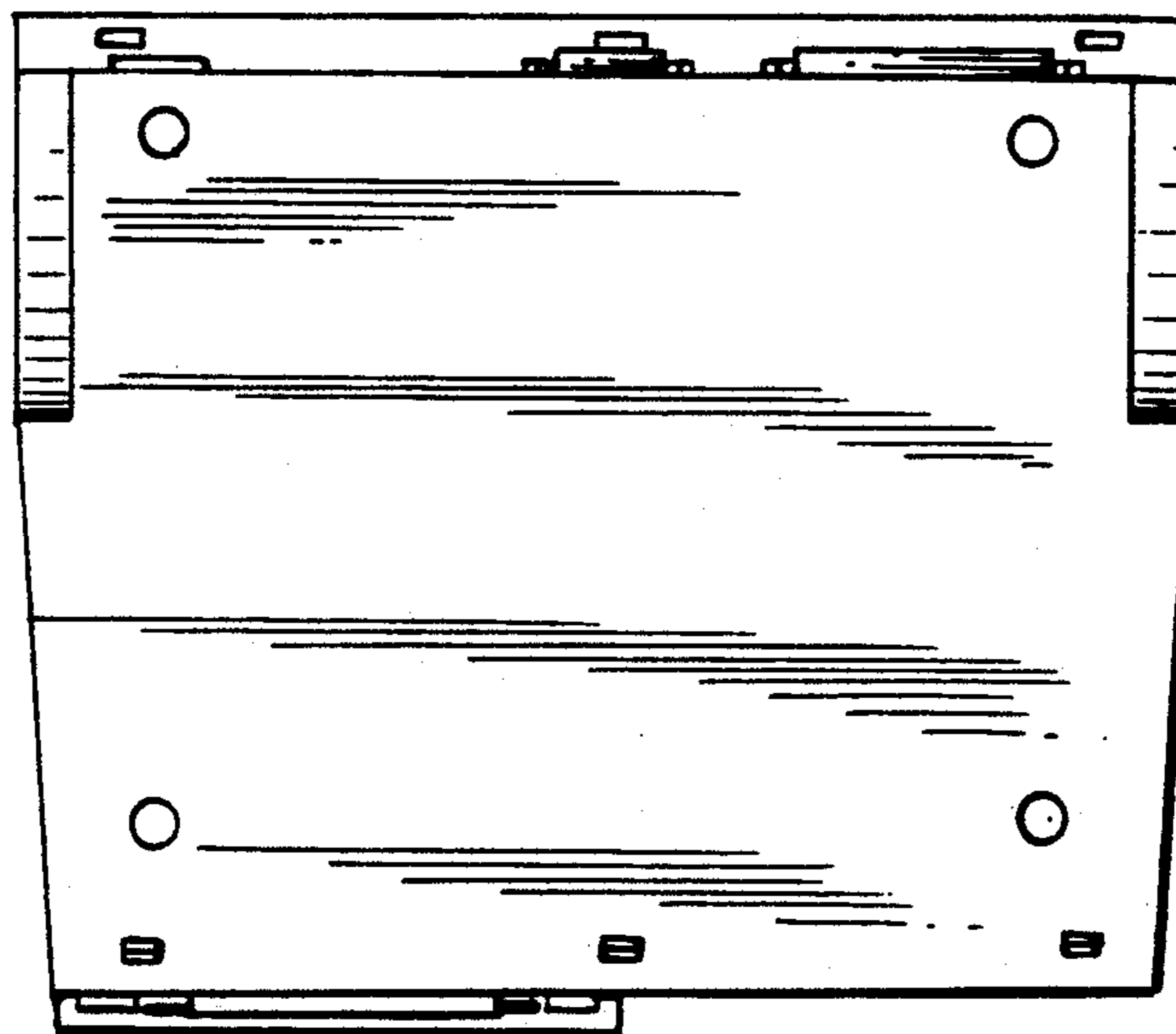


FIG. 6

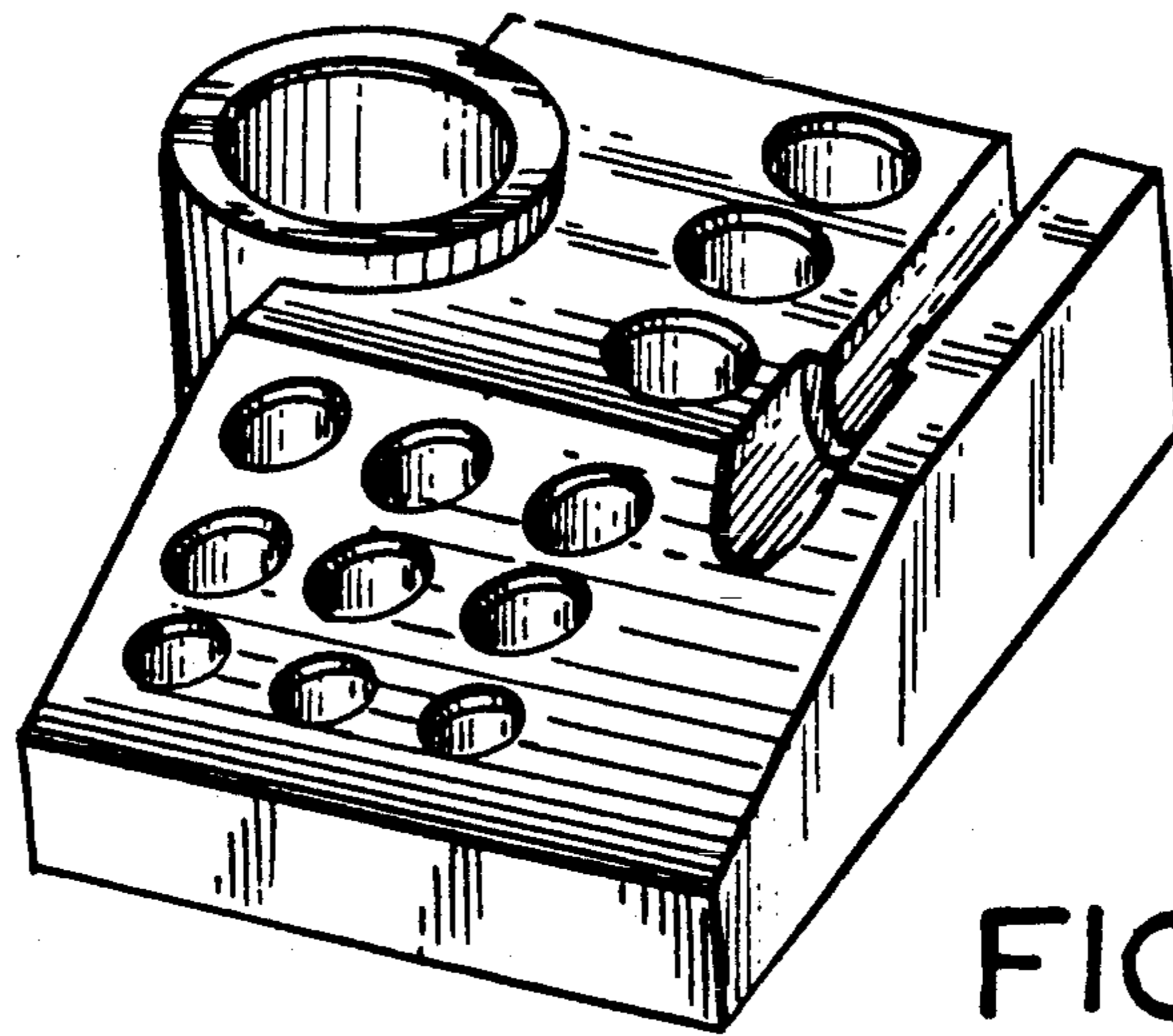


FIG. 7

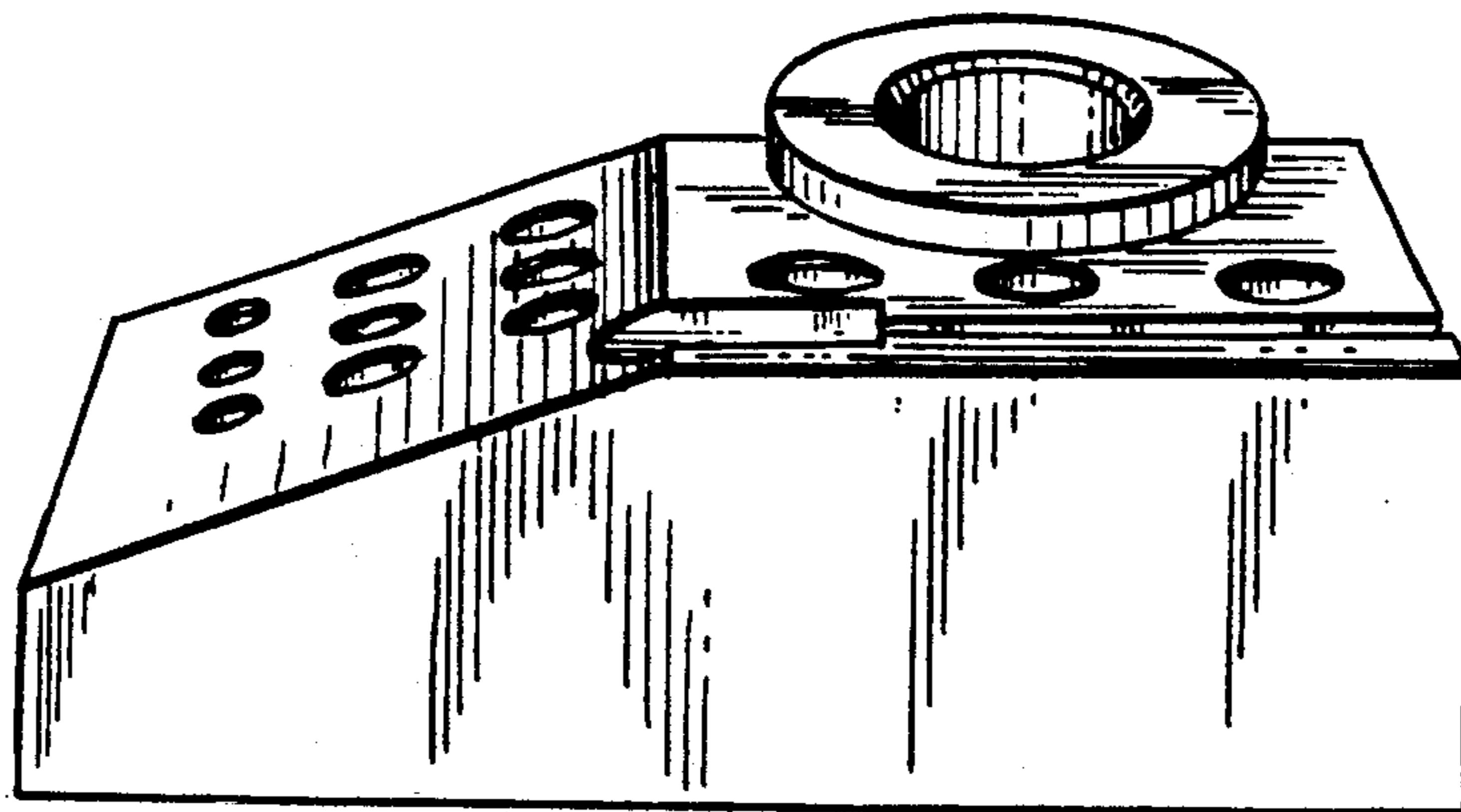


FIG. 8

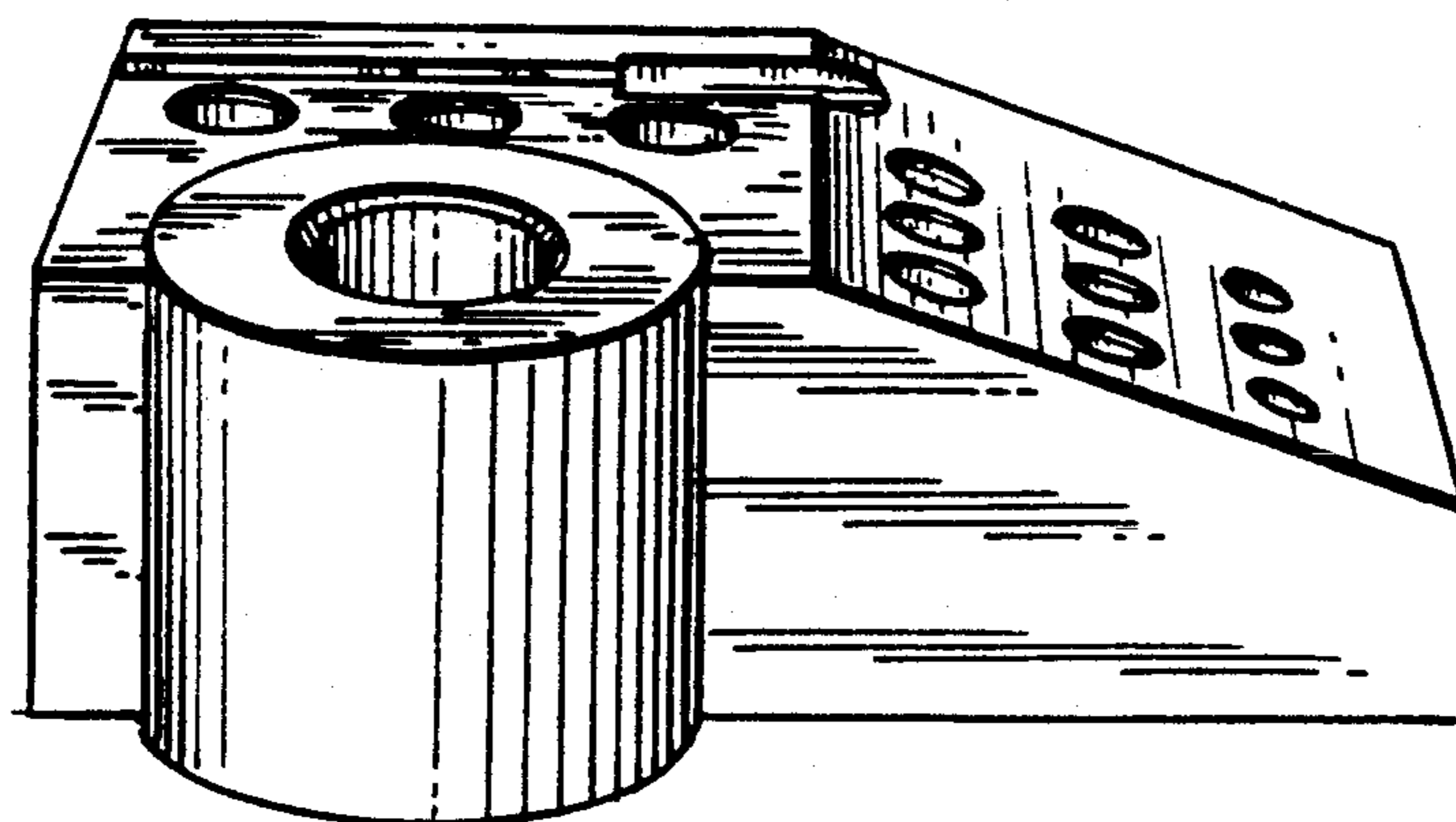


FIG. 9

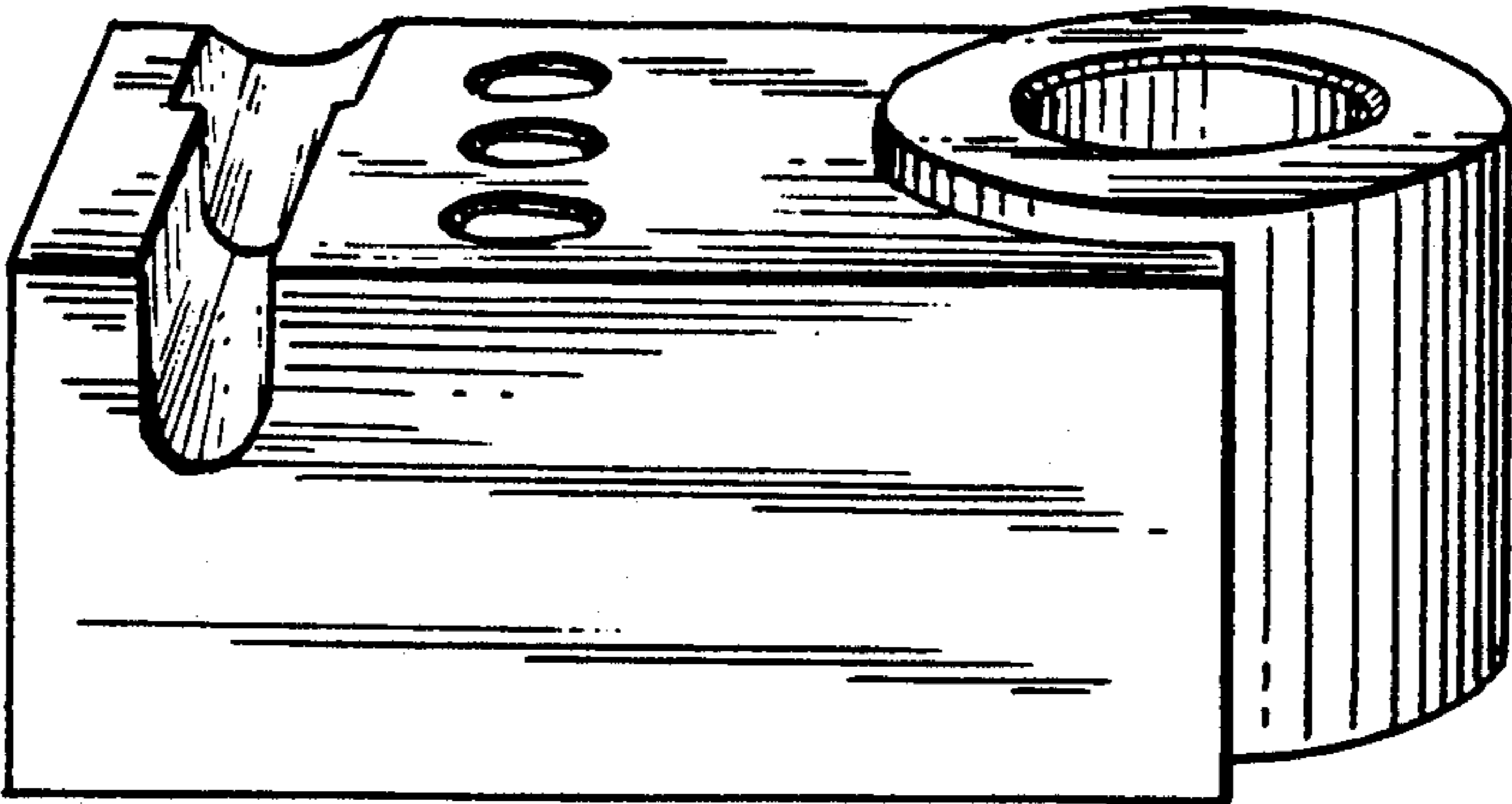


FIG. 10

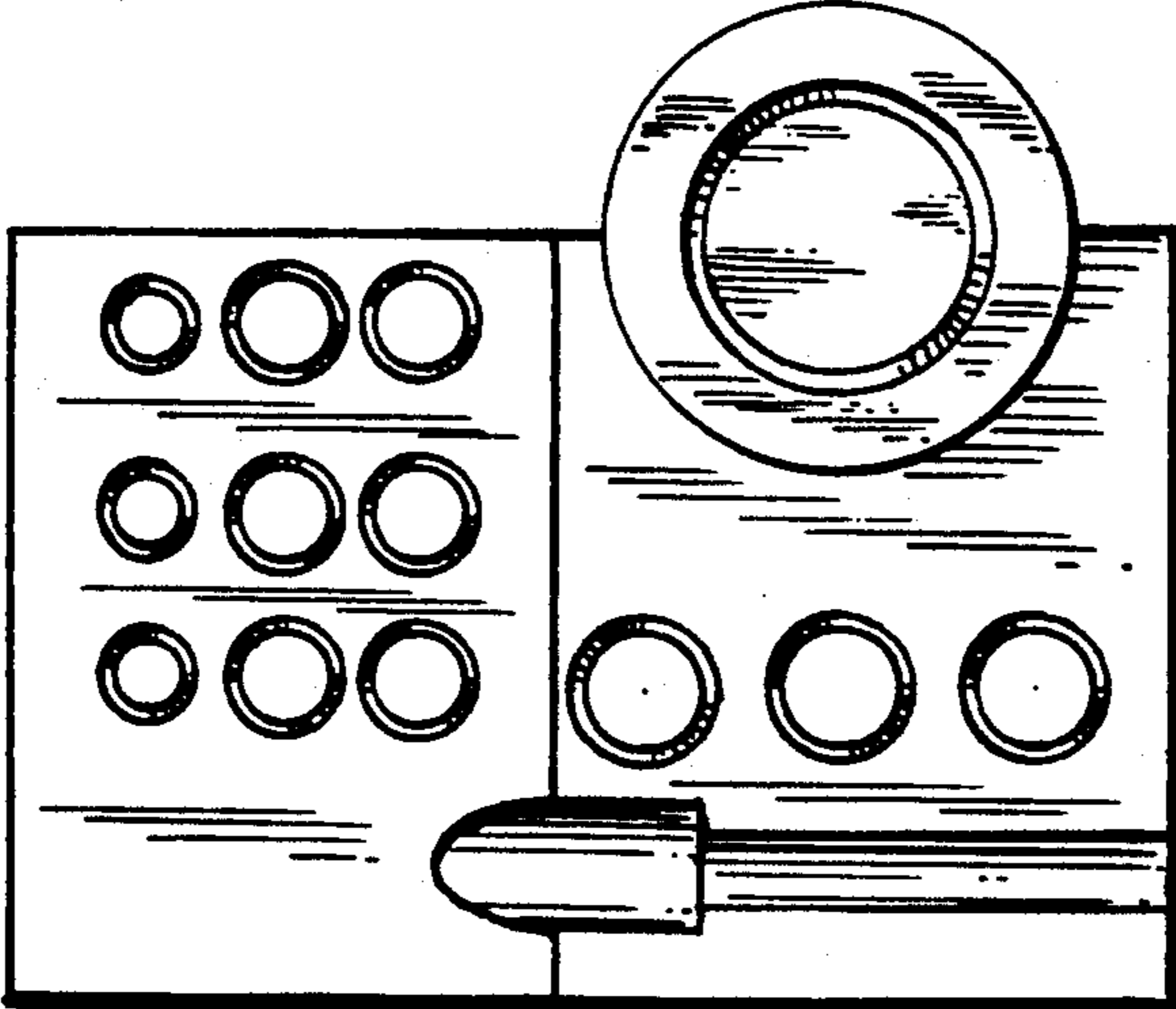


FIG. 11

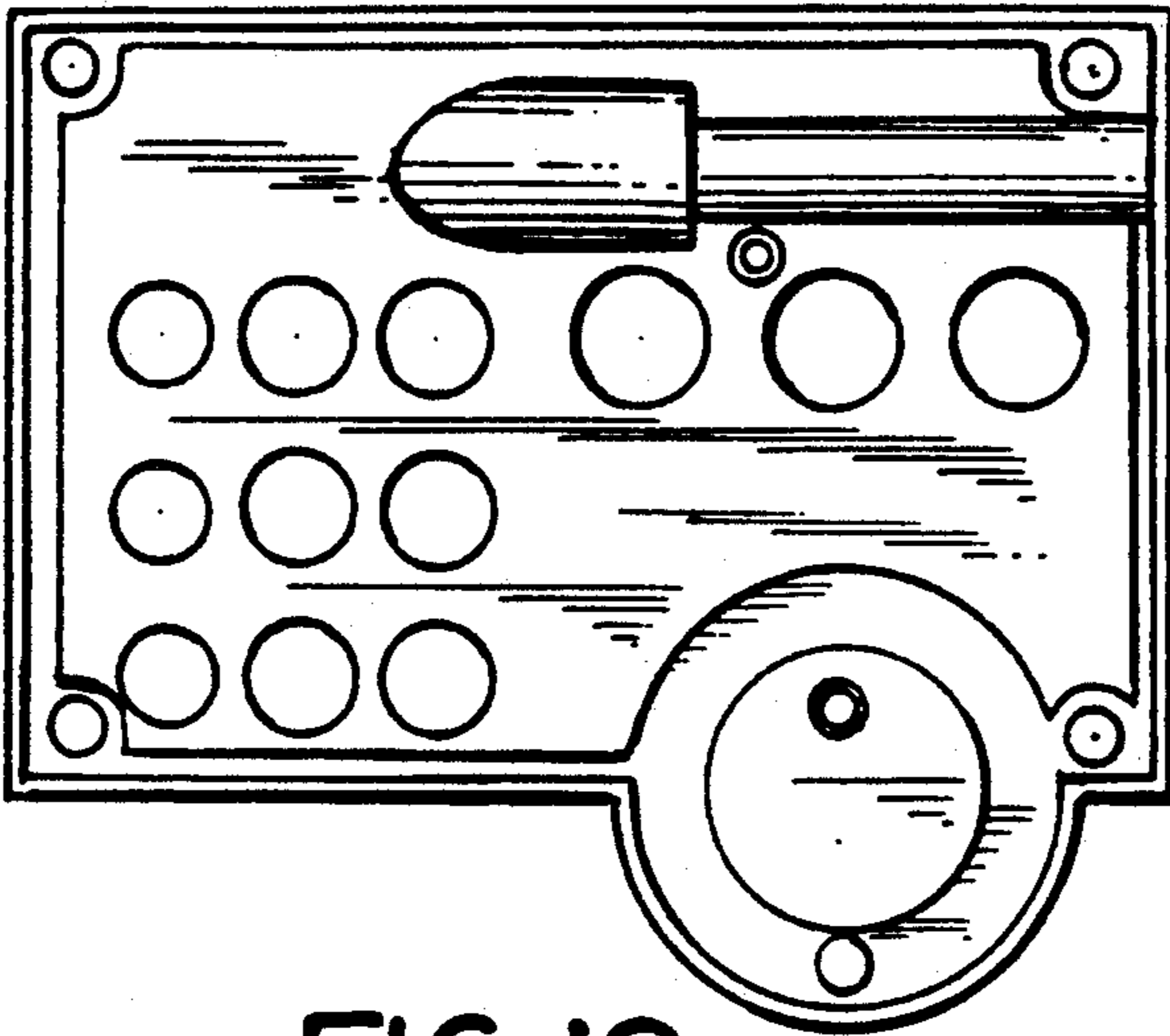


FIG. 12

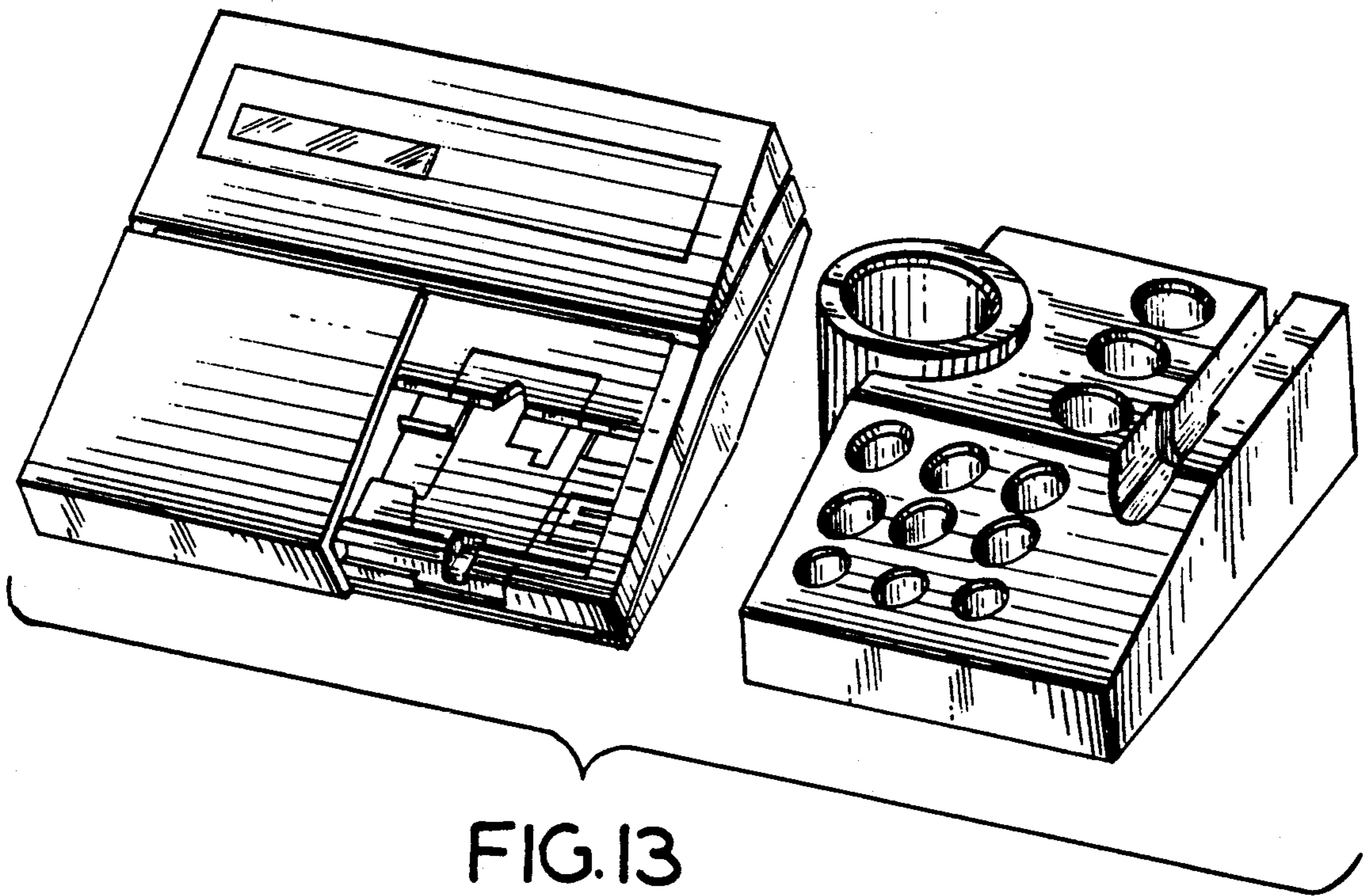


FIG. 13