



US00D338271S

United States Patent [19]

[11] Patent Number: **Des. 338,271**

Yoshikawa et al.

[45] Date of Patent: **** Aug. 10, 1993**

[54] **BLOOD PRESSURE MONITOR**

[75] Inventors: **Hideo Yoshikawa, Kanagawa; Shigeru Okada, Fujinomiya, both of Japan**

[73] Assignee: **Terumo Kabushiki Kaisha, Tokyo, Japan**

[**] Term: **14 Years**

[21] Appl. No.: **671,288**

[22] Filed: **Mar. 18, 1991**

[30] **Foreign Application Priority Data**

Sep. 21, 1990 [JP] Japan 2-31572

[52] U.S. Cl. **D24/165; D24/186**

[58] Field of Search **D24/165, 167, 186; 128/680, 681, 682, 677, 689; D10/46, 75**

[56] **References Cited**

U.S. PATENT DOCUMENTS

D. 283,915 5/1986 Kosako et al. D24/165

D. 283,916 5/1986 Akiyama D24/165

D. 315,019 2/1991 Sakaguchi et al. D24/165
D. 315,020 2/1991 Sakaguchi et al. D24/165
D. 330,594 10/1992 Koshino D24/165

Primary Examiner—Stella Reid
Attorney, Agent, or Firm—Frishauf, Holtz, Goodman & Woodward

[57] **CLAIM**

The ornamental design for a blood pressure monitor, as shown and described.

DESCRIPTION

FIG. 1 is a perspective view of a blood pressure monitor, showing my new design, with the lid in closed position;

FIG. 2 is a front view thereof;

FIG. 3 is a rear view thereof;

FIG. 4 is a right side view thereof;

FIG. 5 is a left side view thereof;

FIG. 6 is a top plan view thereof;

FIG. 7 is a bottom plan view thereof; and,

FIG. 8 is a perspective view thereof with the lid in open position, the broken line showing is for illustrative purposes only and forming no part of the claimed design.

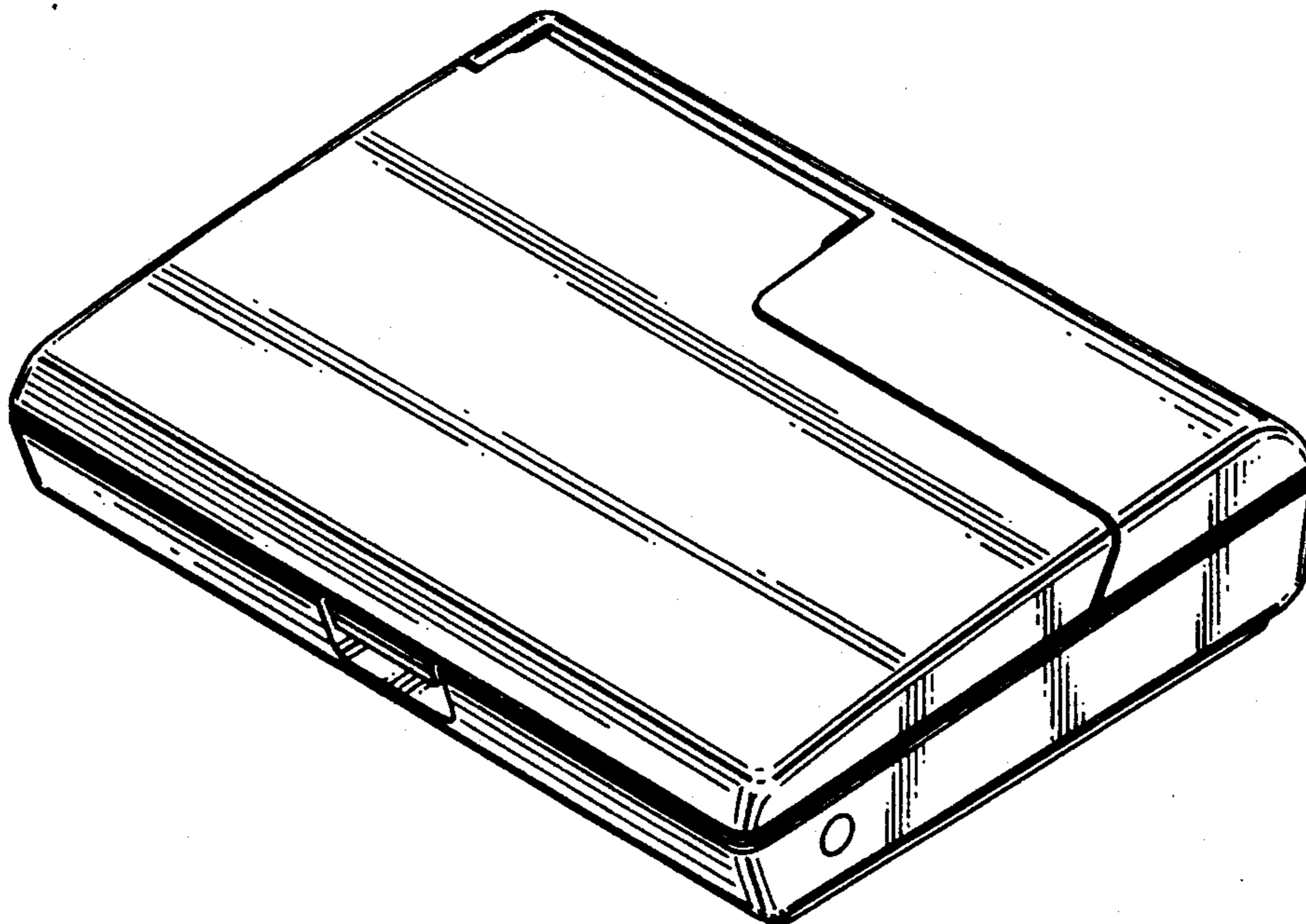


FIG. 1

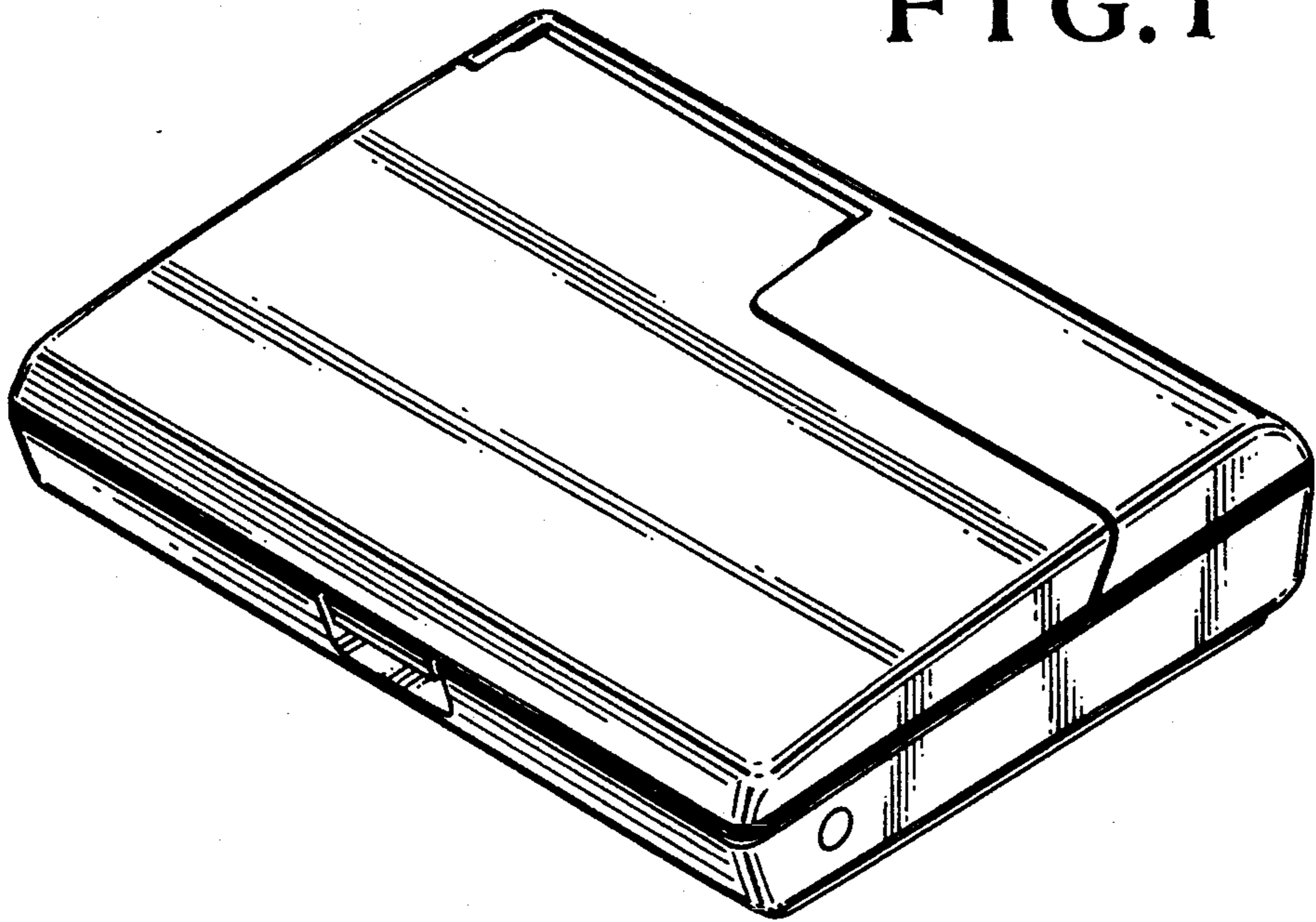


FIG. 2

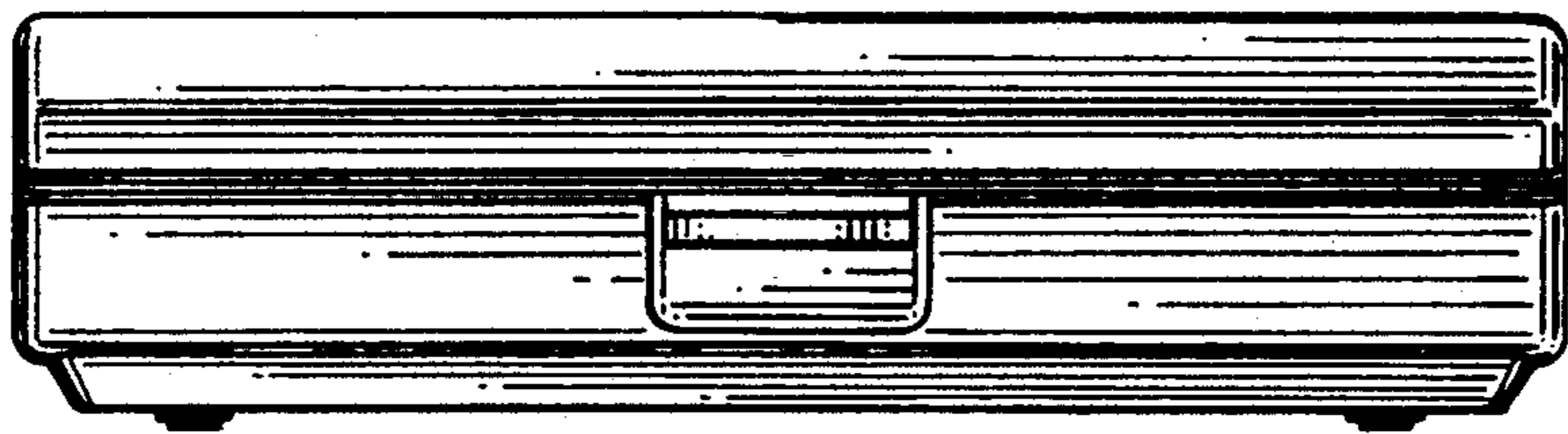


FIG. 3

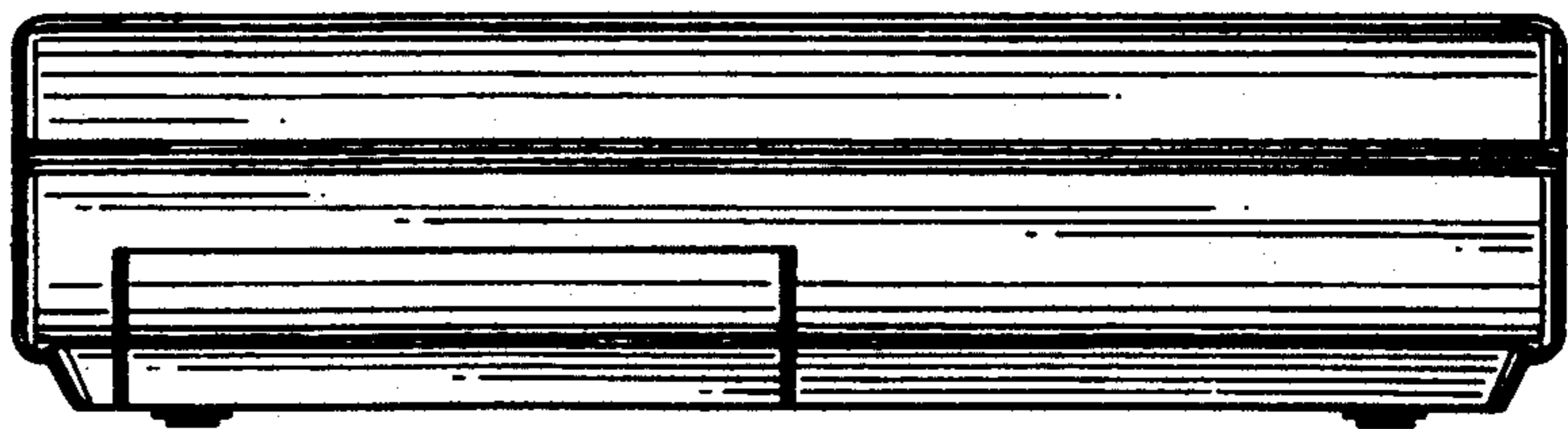


FIG. 4

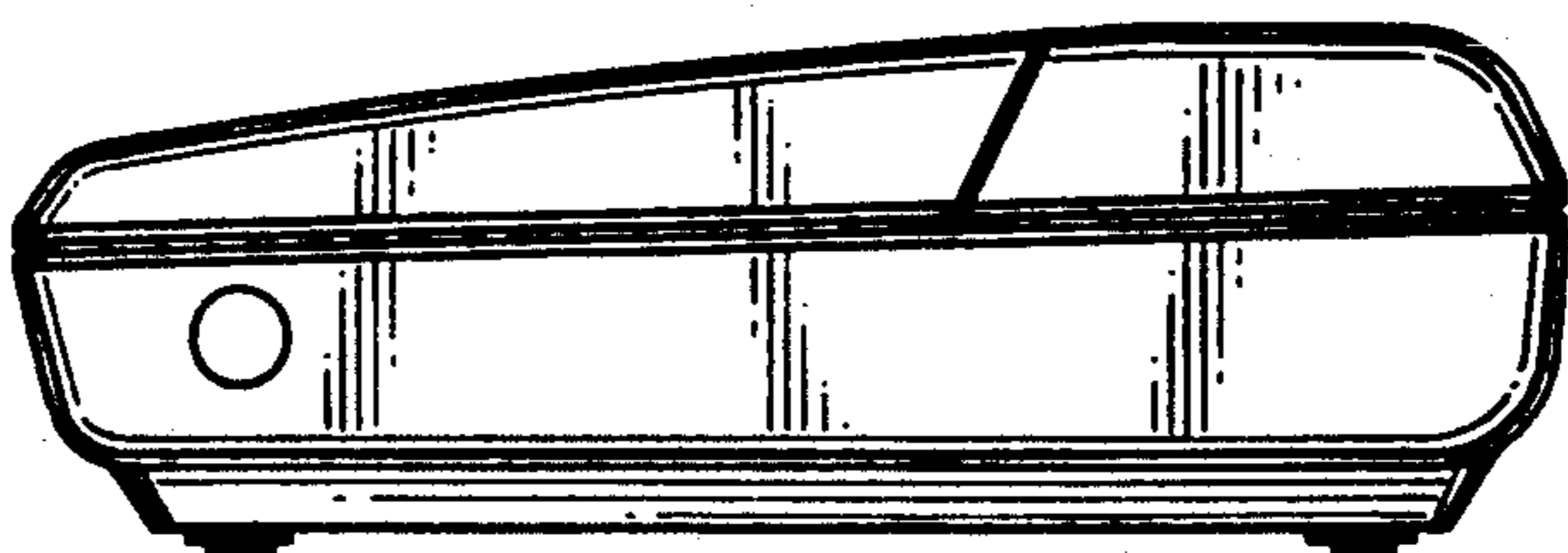


FIG.5

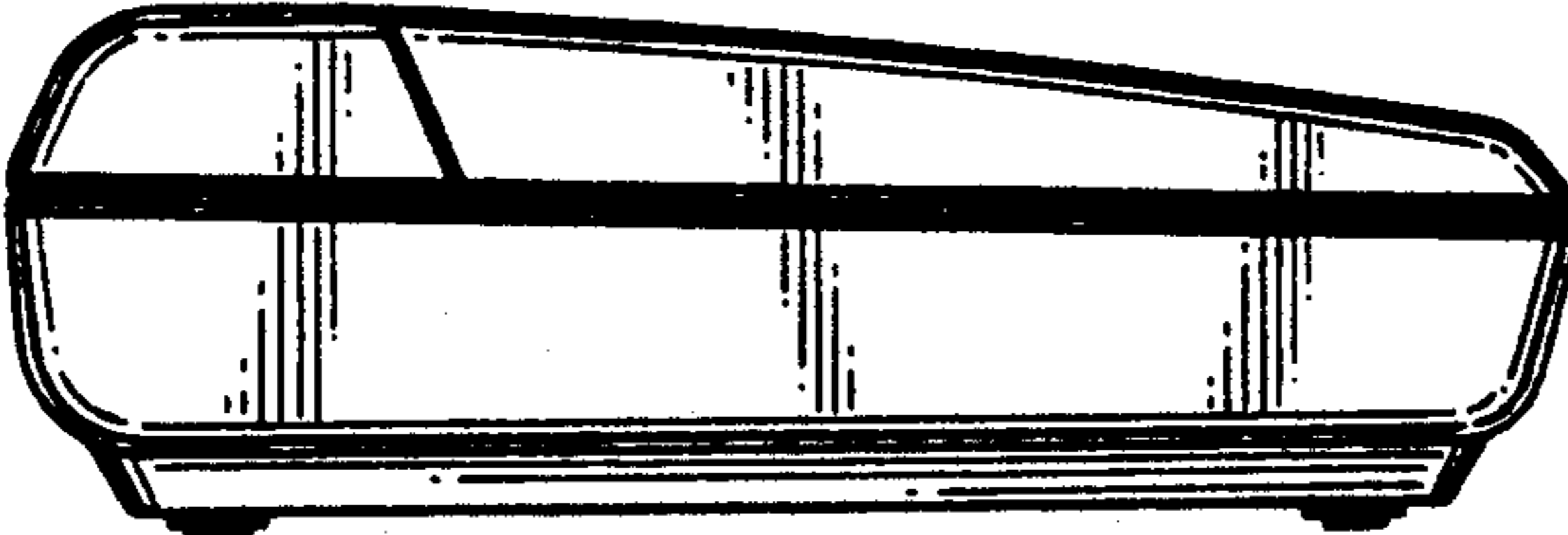


FIG.6

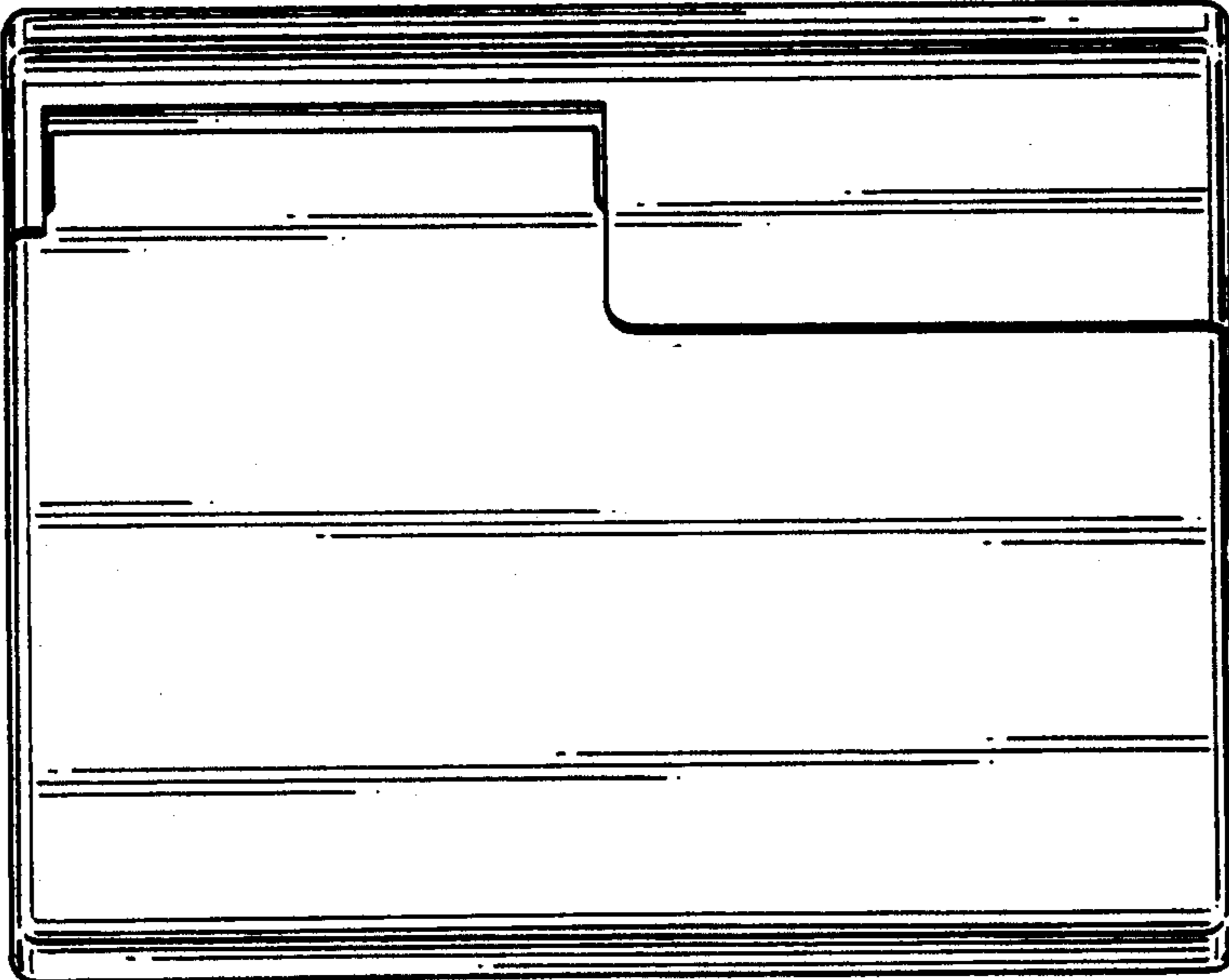
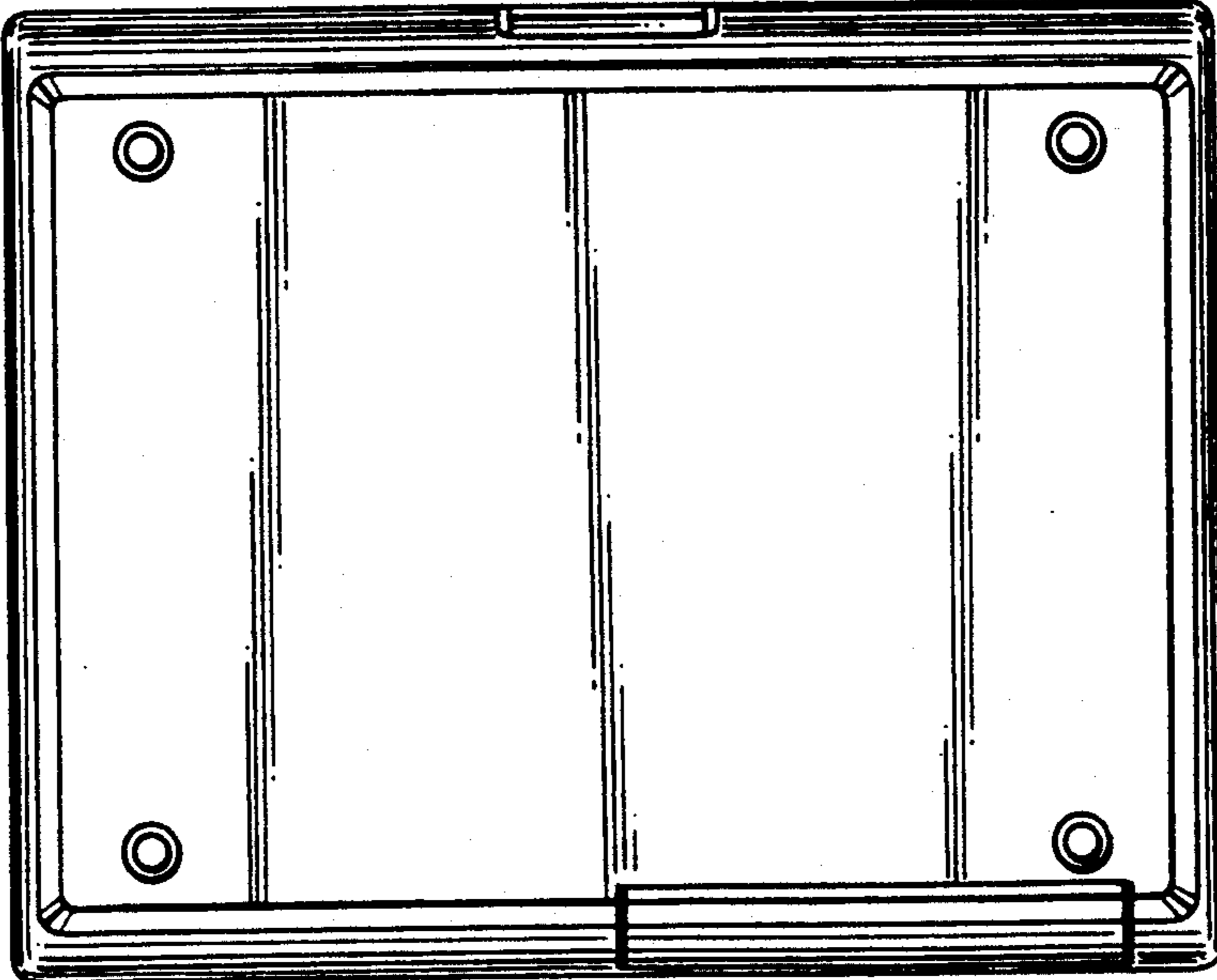


FIG.7



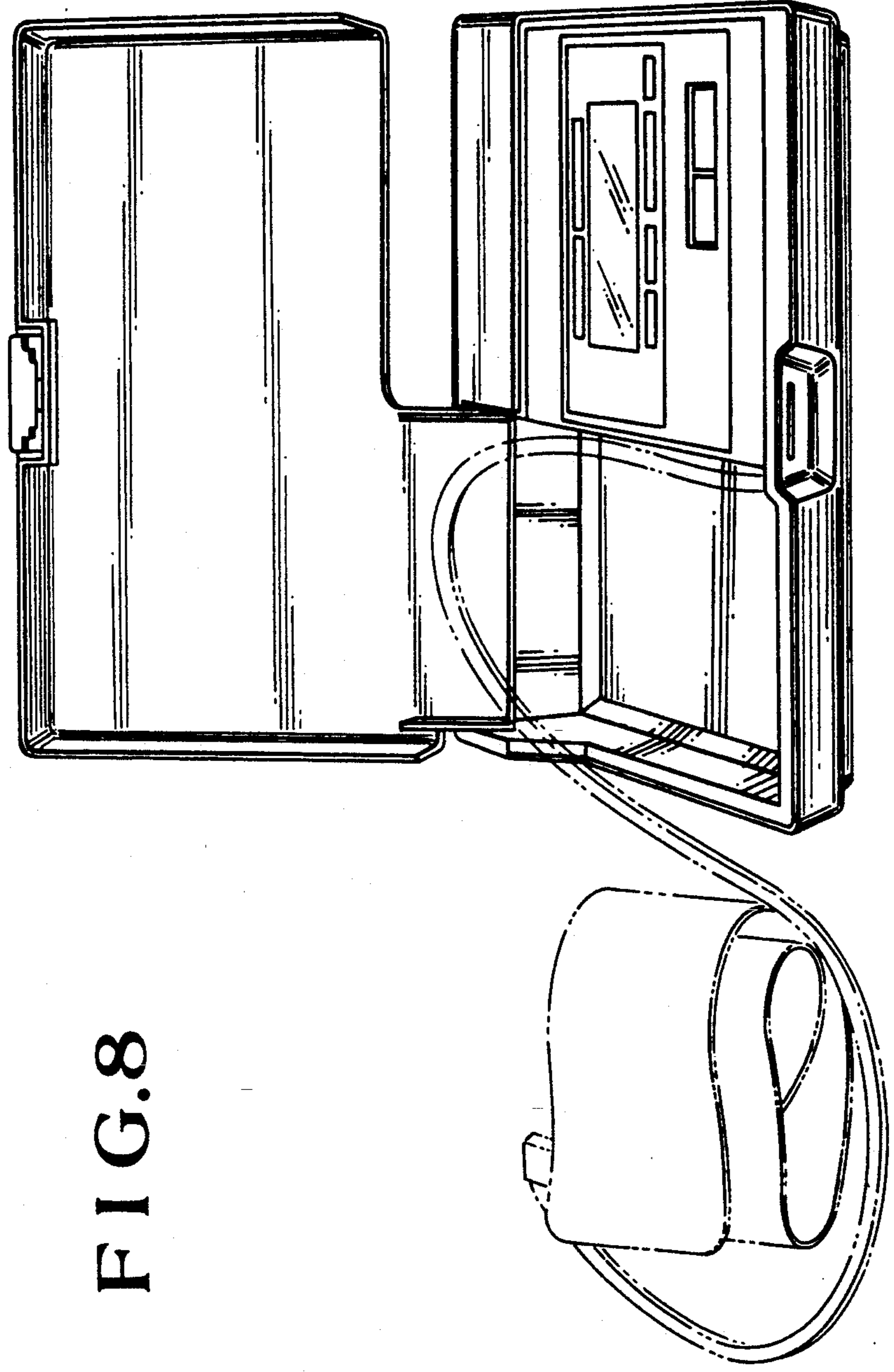


FIG. 8