



US00D338268S

United States Patent [19]

[11] Patent Number: **Des. 338,268**

Kobayashi et al.

[45] Date of Patent: **** Aug. 10, 1993**

[54] HEATING INHALER

4,456,007 6/1984 Nakao et al. 128/203.16 X
4,604,999 8/1986 Maeda 128/200.21
4,942,874 7/1990 Terada et al. 128/203.16

[75] Inventors: **Yutaka Kobayashi; Takao Terada;**
Toshiyuki Kobayashi, all of Kyoto,
Japan

Primary Examiner—Stella Reid
Attorney, Agent, or Firm—Fish & Richardson

[73] Assignee: **Omron Corporation, Kyoto, Japan**

[57] **CLAIM**

[**] Term: **14 Years**

The ornamental design for a heating inhaler, as shown and described.

[21] Appl. No.: **520,187**

[22] Filed: **May 4, 1990**

DESCRIPTION

[52] U.S. Cl. **D24/110**

FIG. 1 is a left side elevational view of a heating inhaler, showing our new design;

[58] Field of Search **D24/164; 128/200.14,**
128/200.21, 200.18, 200.17, 200.25, 203.16,
203.17, 204.13, 204.14, 204.17, 205.11, 205.24,
207.13

FIG. 2 is a right side elevational view thereof;

FIG. 3 is a perspective view thereof;

FIG. 4 is a right side elevational view thereof, with the cover removed;

FIG. 5 is a top plan view thereof;

FIG. 6 is a front elevational view thereof;

FIG. 7 is a back elevational view thereof;

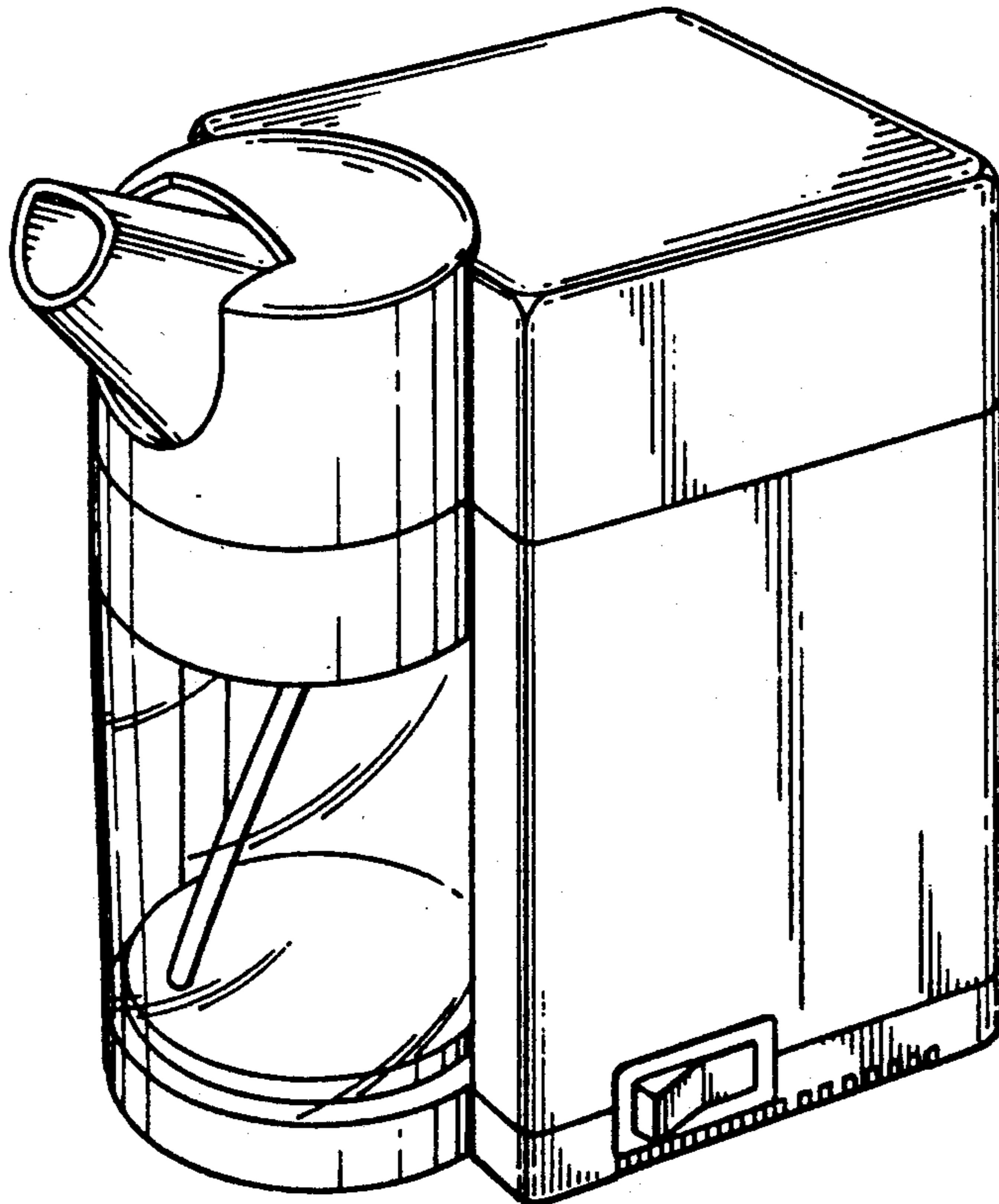
FIG. 8 is a top plan view thereof; and,

FIG. 9 is a bottom plan view thereof.

[56] **References Cited**

U.S. PATENT DOCUMENTS

D. 260,933 9/1981 Reichl D24/164 X
D. 309,025 7/1990 Beacham D24/164 X
4,318,397 3/1982 Kobayashi 128/200.21



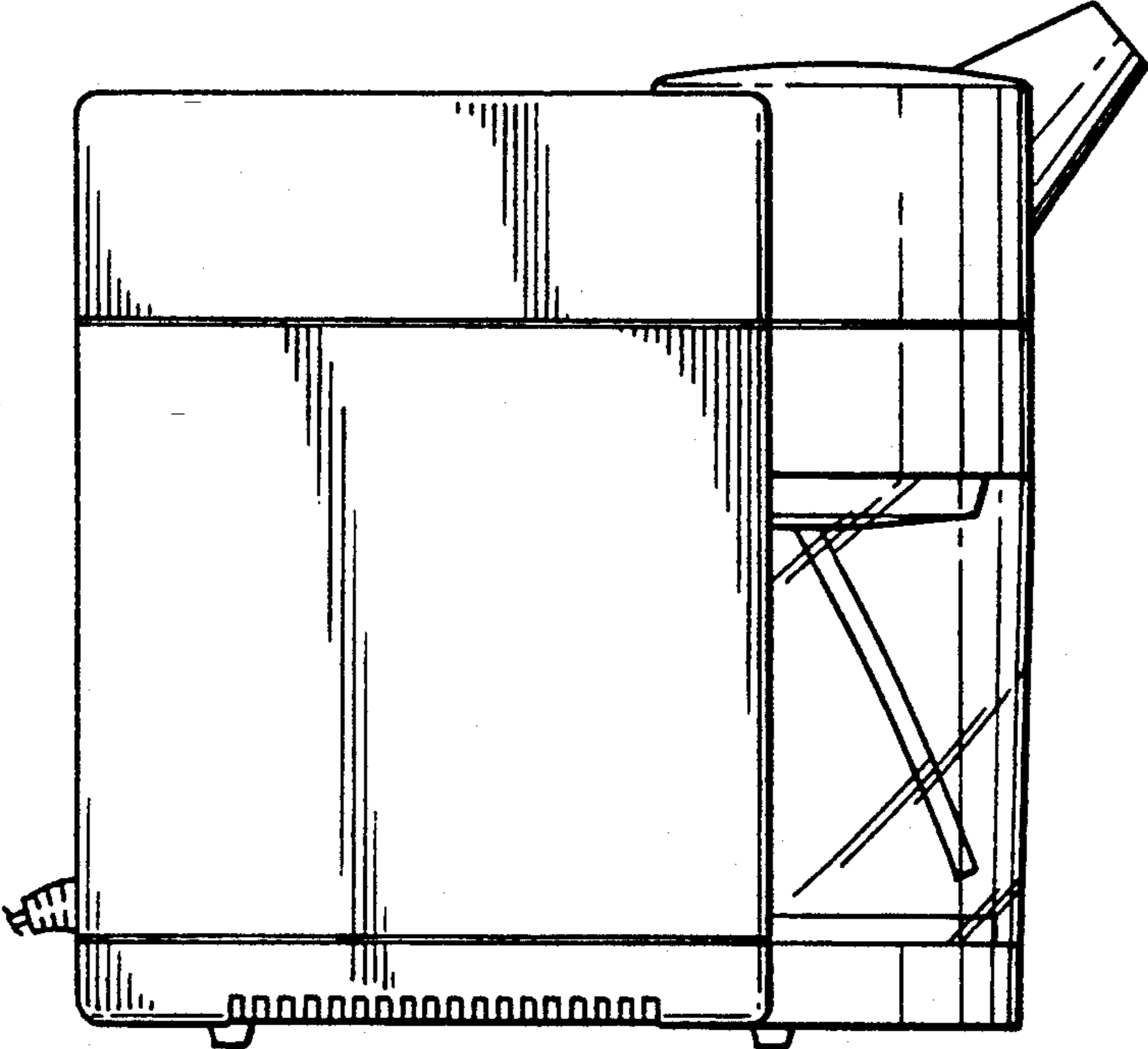


FIG. 1

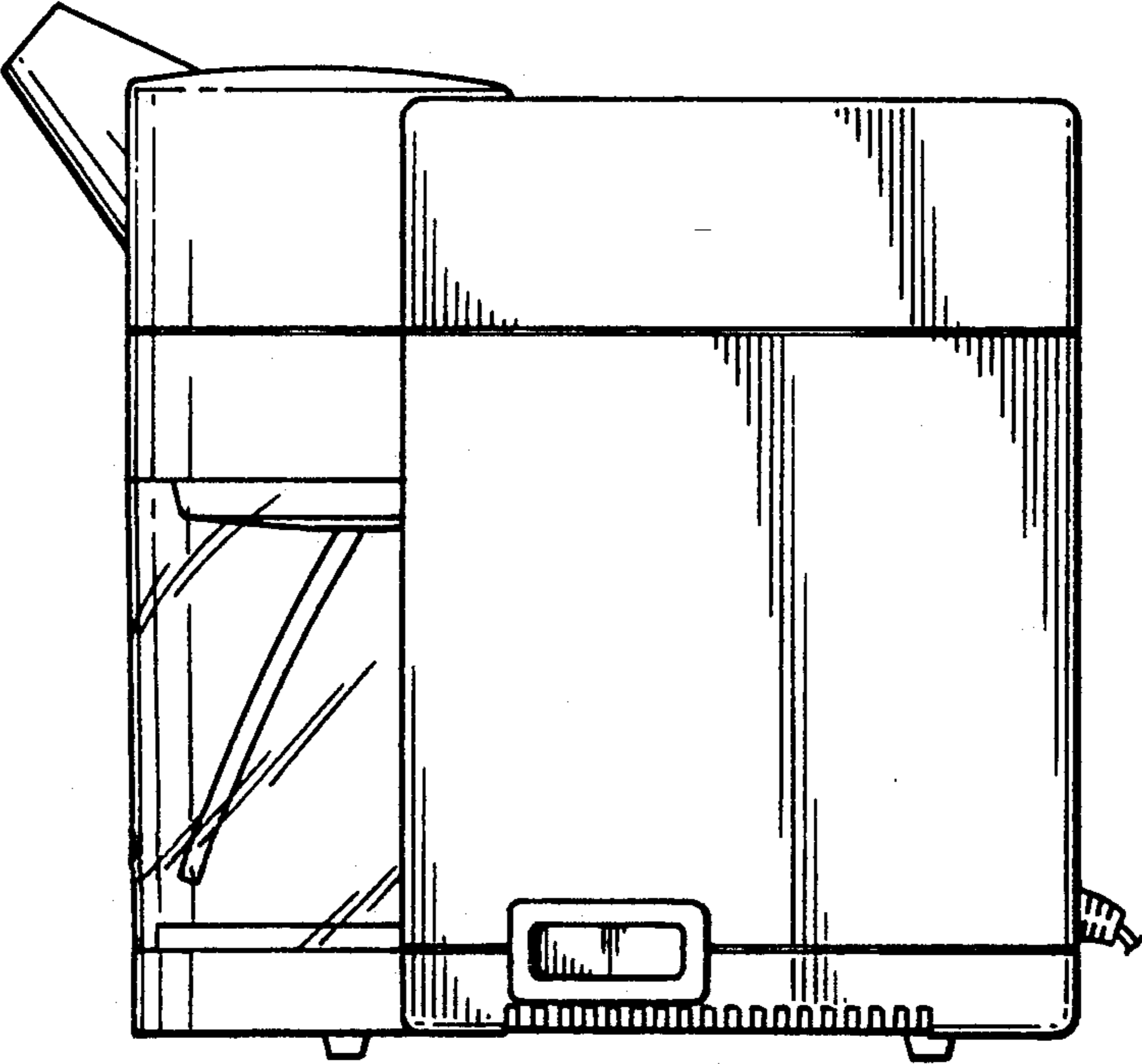


FIG. 2

FIG. 3

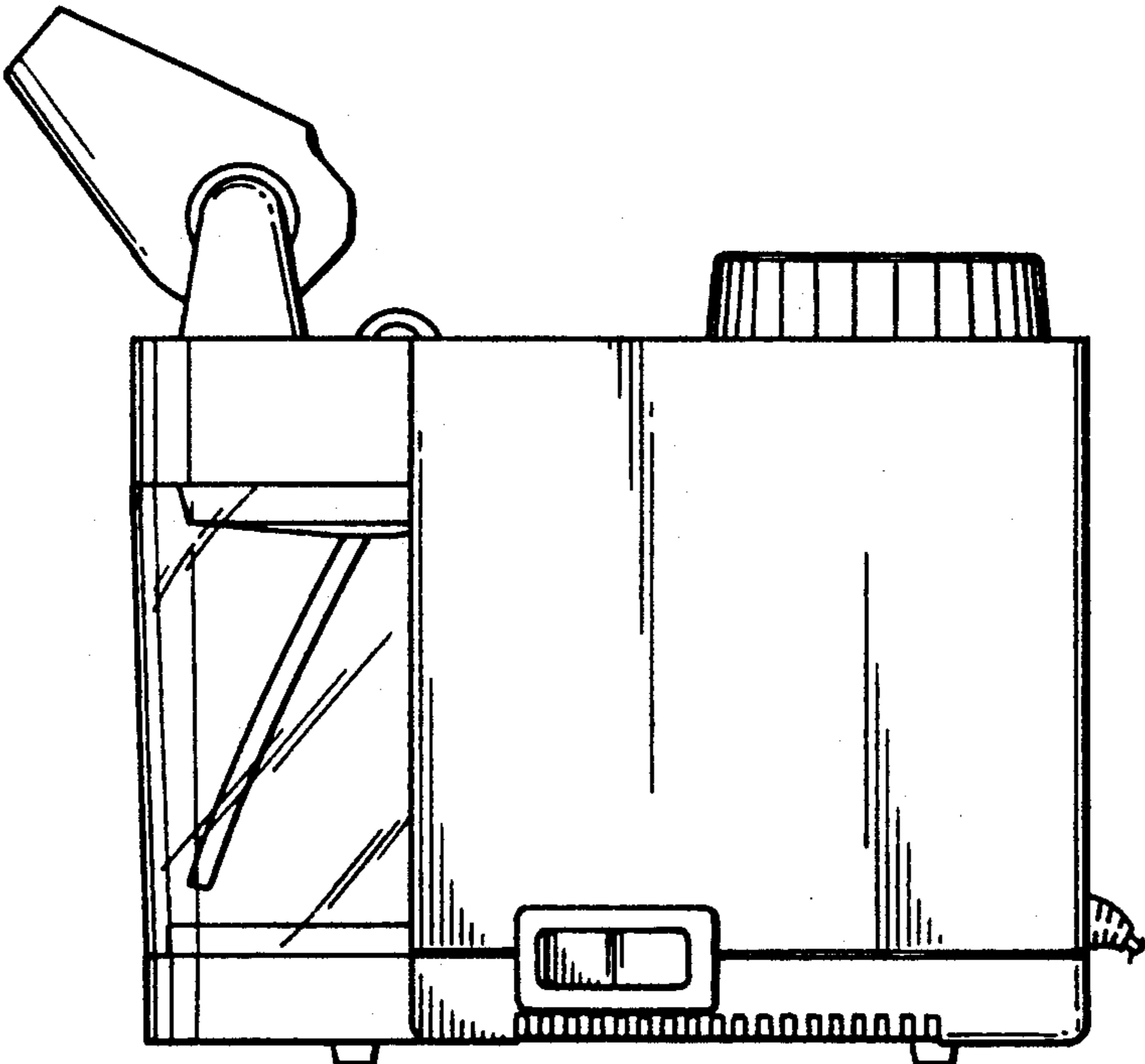
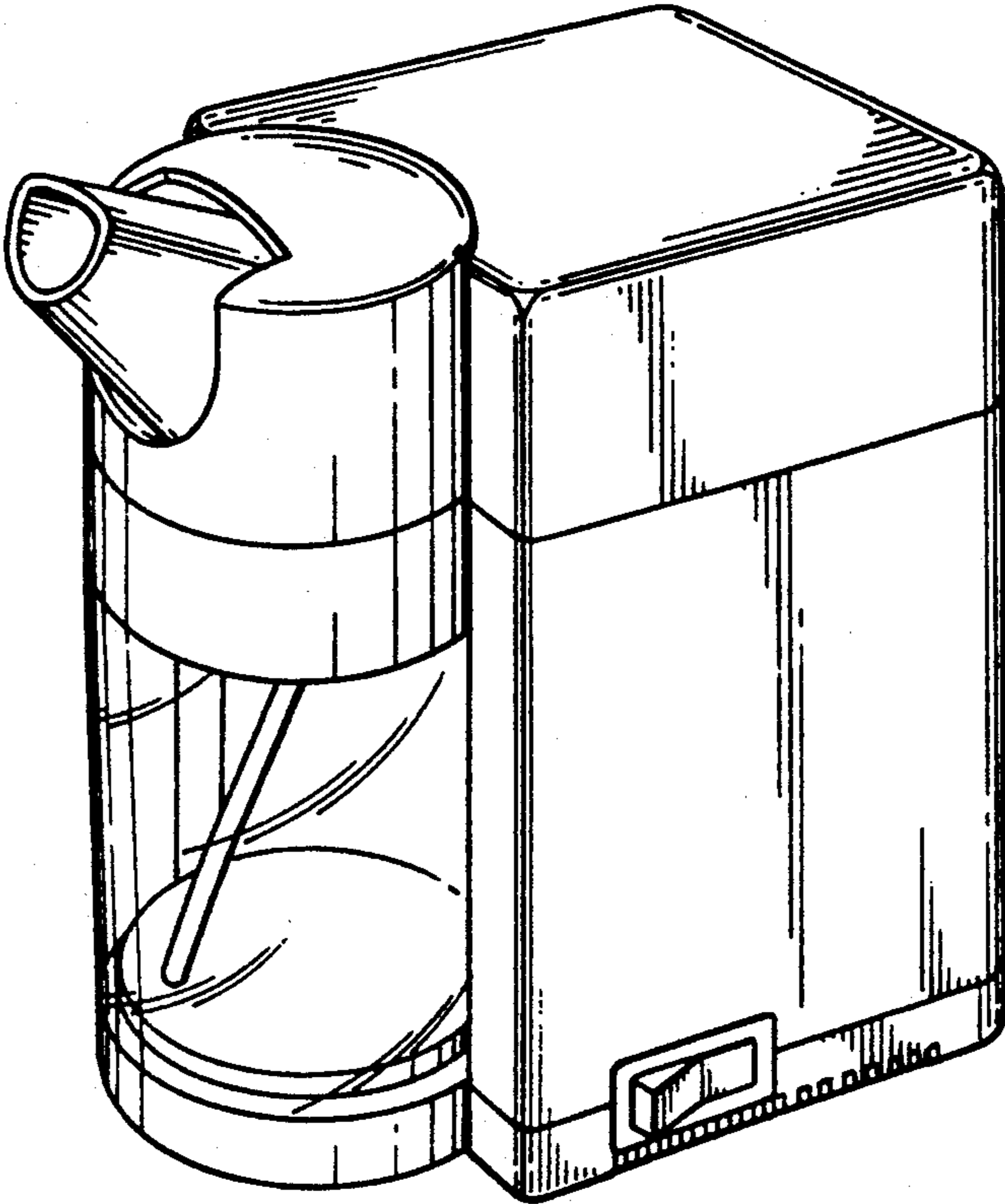


FIG. 4

FIG. 5

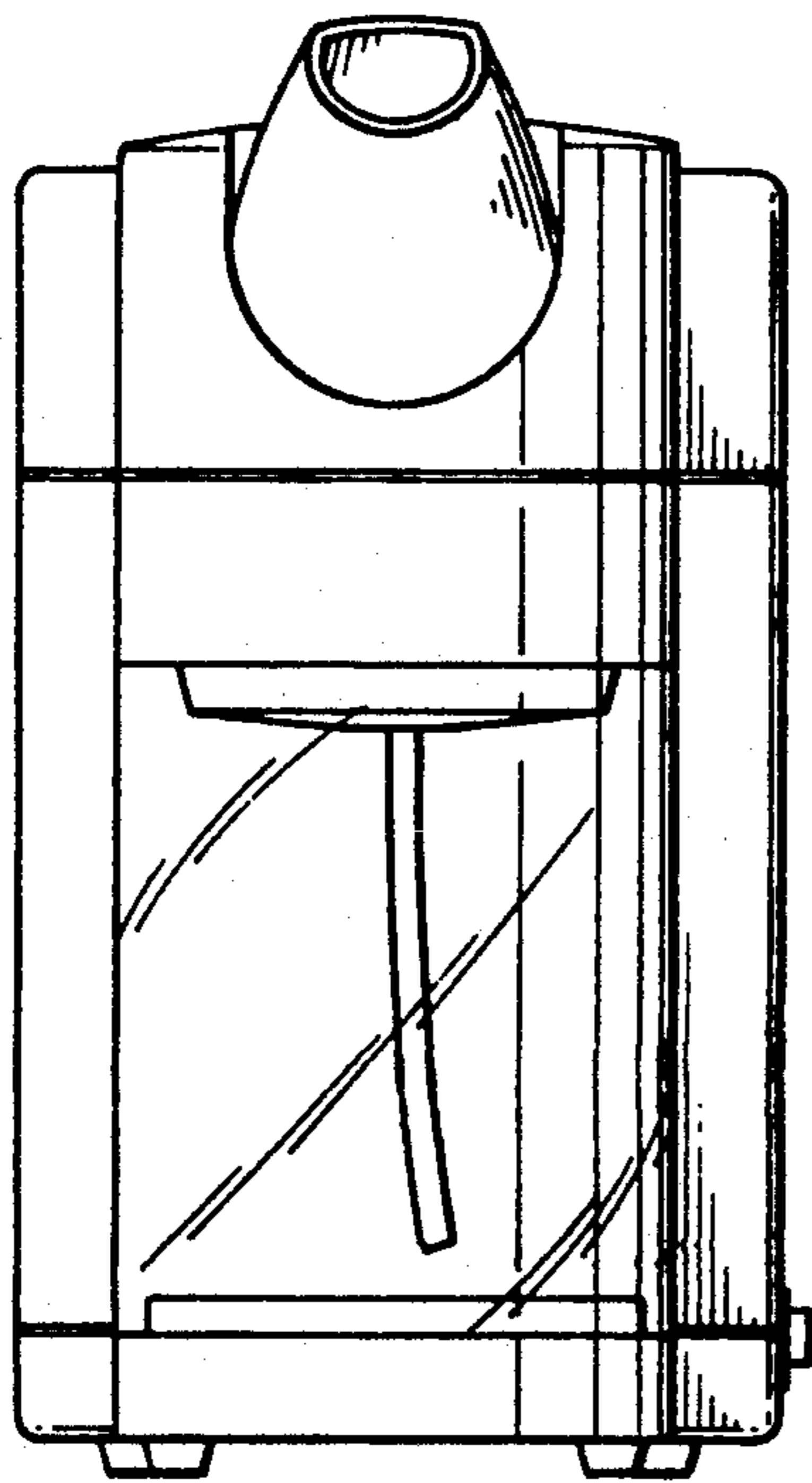
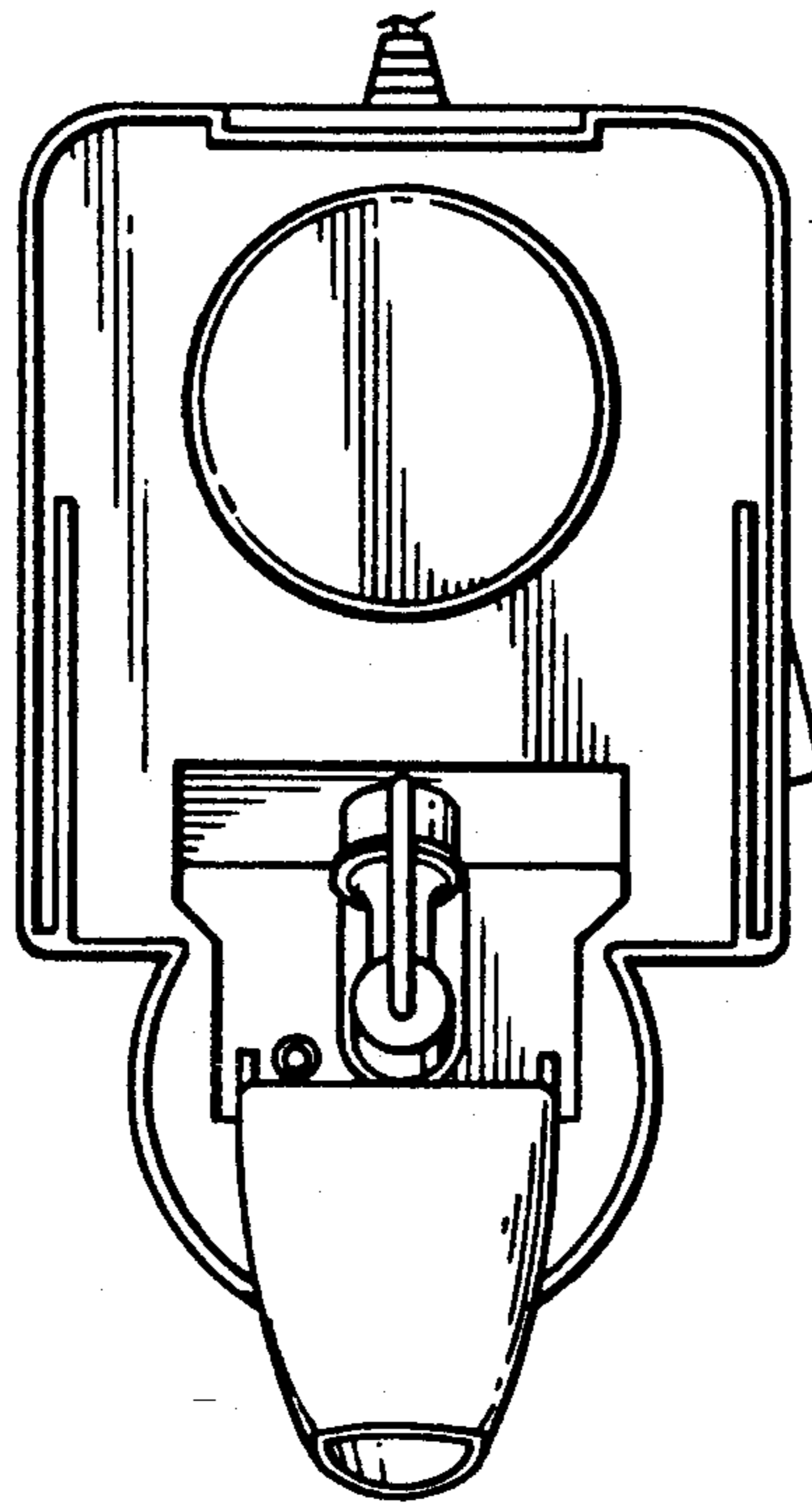


FIG. 6

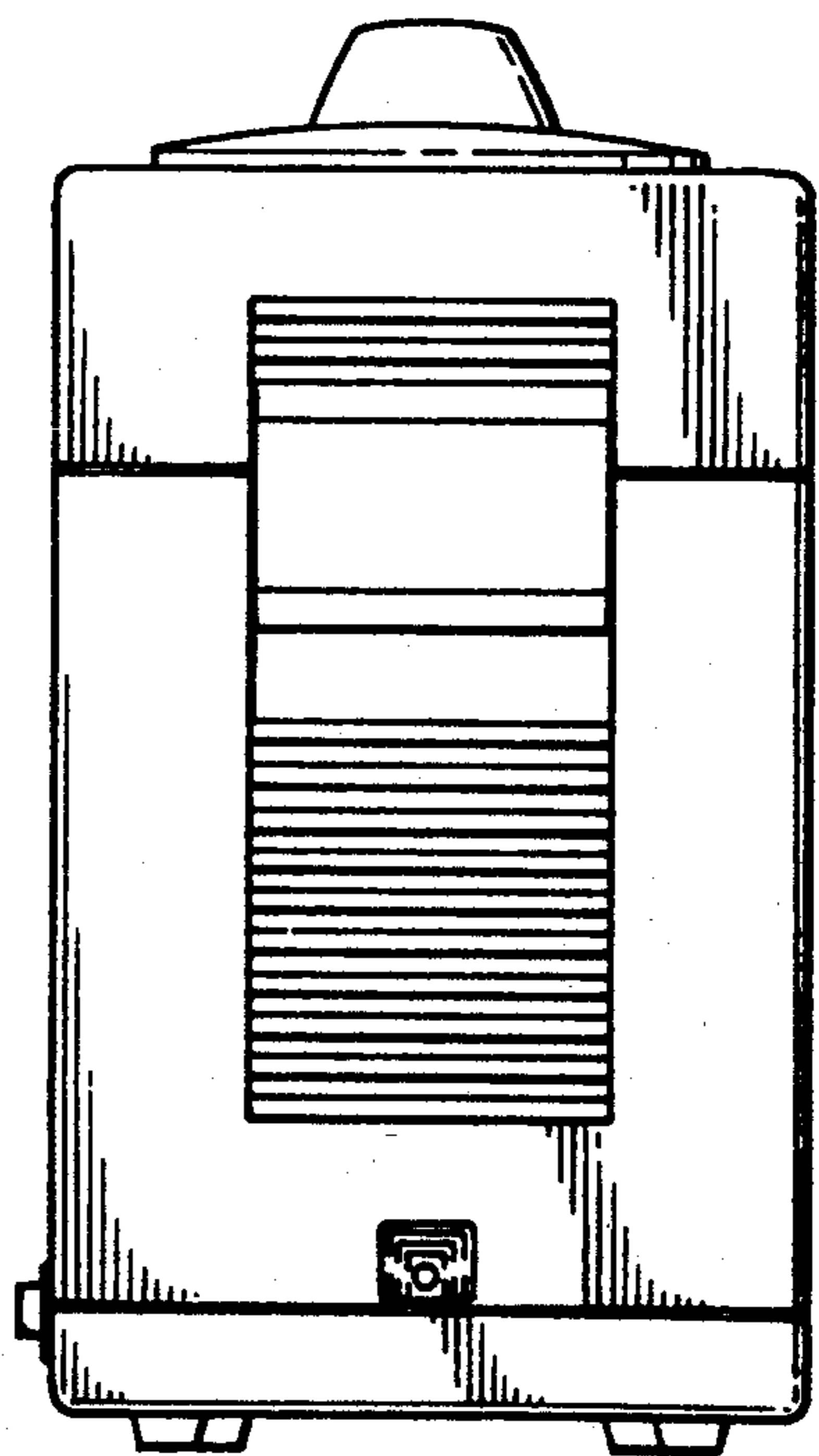


FIG. 7

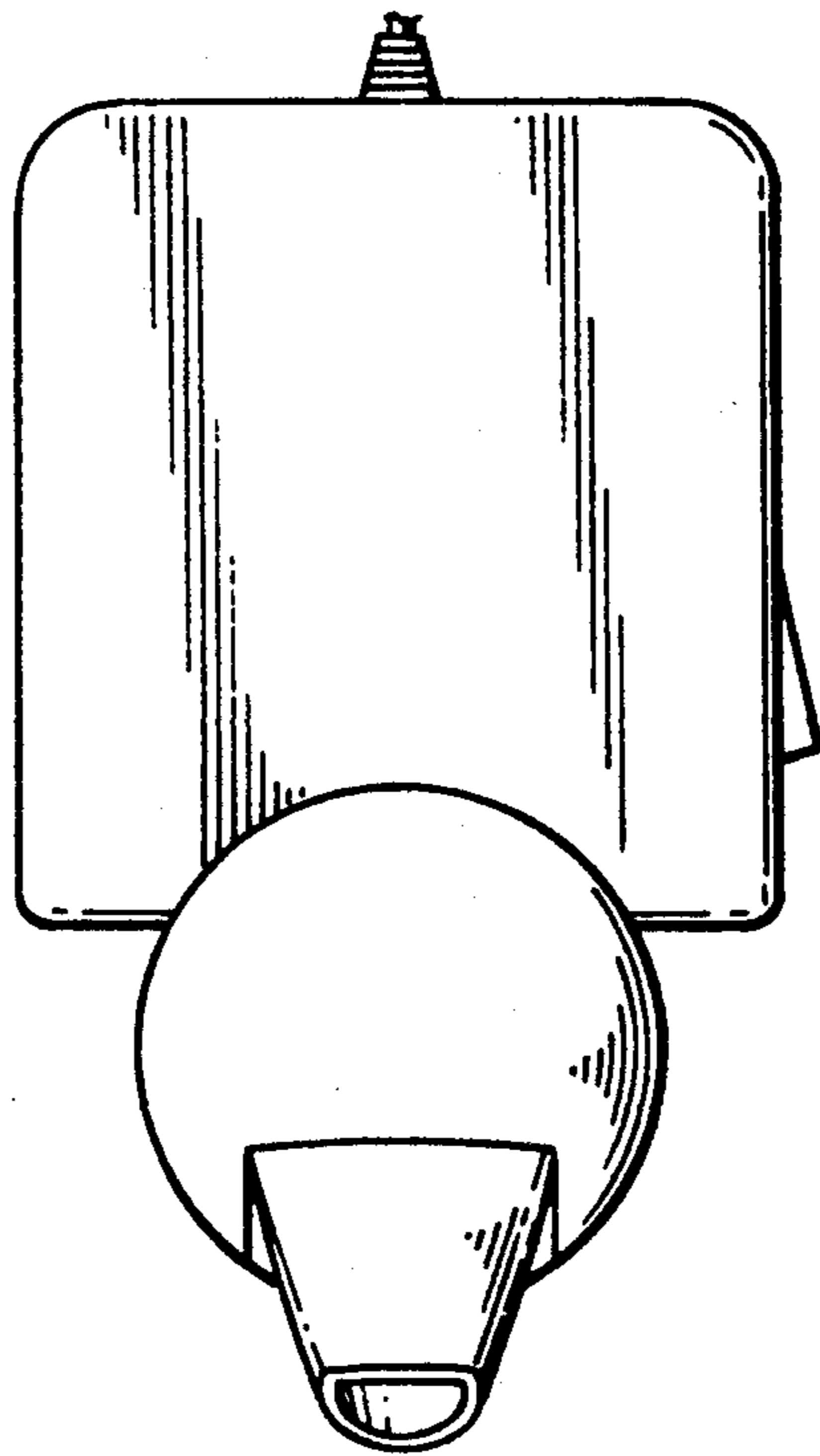


FIG. 8

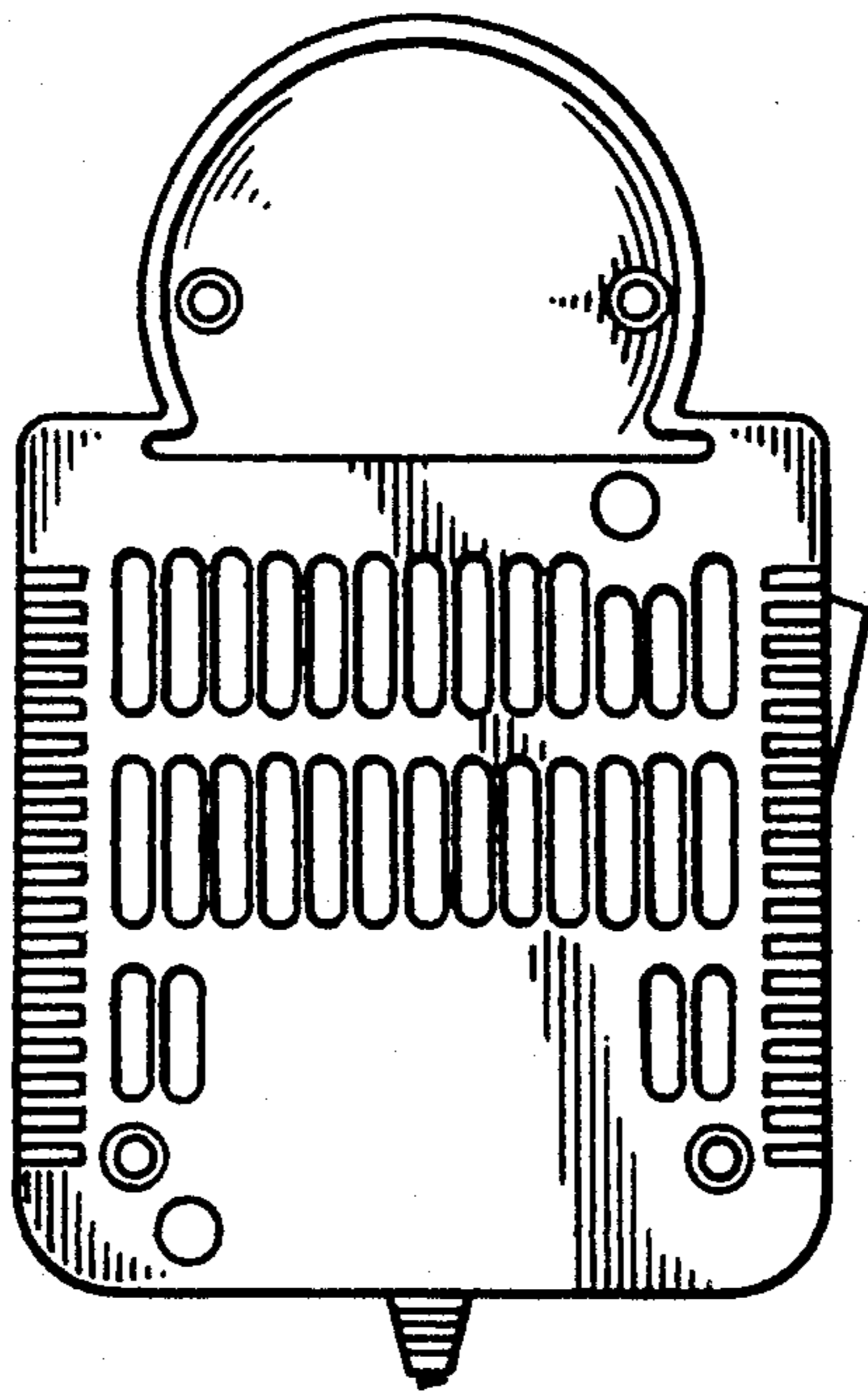


FIG. 9