



US00D338260S

United States Patent [19]

Bengtson et al.

[11] Patent Number: **Des. 338,260**

[45] Date of Patent: **** Aug. 10, 1993**

[54] **BASE FOR BATHING ENCLOSURE**

[75] Inventors: **Alan D. Bengtson, Sheboygan; David J. O'Connell, Sturgeon Bay, both of Wis.**

[73] Assignee: **Kohler Co., Kohler, Wis.**

[**] Term: **14 Years**

[21] Appl. No.: **3,504**

[22] Filed: **Jan. 11, 1993**

3,711,872 1/1973 Jarosinski 4/604
4,720,876 1/1988 Tomei et al. 4/614

FOREIGN PATENT DOCUMENTS

57461 11/1986 Canada .
1102729 10/1985 Italy .

OTHER PUBLICATIONS

Page 7-14a of a 1988 Kohler catalog showing the Neo Angle Profile shower.

A Clarke ad entitled "Acrylic Whirlpools..." undated, admitted prior art.

An Itema ad for a shower cubicle, undated, admitted prior art.

An undated (admitted prior art) Jacob Delafon ad showing the Hydra shower tray.

Primary Examiner—James R. Largen
Attorney, Agent, or Firm—Quarles & Brady

Related U.S. Application Data

[62] Division of Ser. No. 639,951, Jan. 11, 1991, Pat. No. Des. 337,375.

[52] U.S. Cl. **D23/283**

[58] Field of Search **D23/271-275, D23/277-283, 303-307; 4/541.1-541.6, 590, 596, 597, 604, 611, 612, 613, 614, 622**

[56] References Cited

U.S. PATENT DOCUMENTS

- D. 96,507 8/1935 Reed, Jr. D23/281
- D. 204,126 3/1966 Brenner .
- D. 208,967 10/1967 Wolske D23/283
- D. 217,867 6/1970 Myers D23/283
- D. 219,512 12/1970 Skyhawk D23/283
- D. 253,124 10/1979 Primault .
- D. 274,641 7/1984 Griffiths D23/281
- D. 276,362 11/1984 Griffiths D23/281
- D. 299,164 12/1988 Burgess et al. .
- D. 299,523 1/1989 Poulin D23/283
- D. 321,042 10/1992 Levien D23/281
- D. 333,699 3/1993 Jacuzzi et al. D23/281
- 1,844,988 2/1932 Steinkamp D23/277 X
- 1,940,514 12/1933 Steinkamp 4/590
- 2,508,969 5/1950 Richardson .
- 2,589,281 3/1962 Ocana .
- 3,096,526 7/1963 Vecenie .
- 3,297,025 1/1967 Jacuzzi 4/541.4 X

[57] CLAIM

The ornamental design for a base for a bathing enclosure unit, as shown and described.

DESCRIPTION

FIG. 1 is a perspective view taken from the top and front of a base for a bathing enclosure showing our new design;

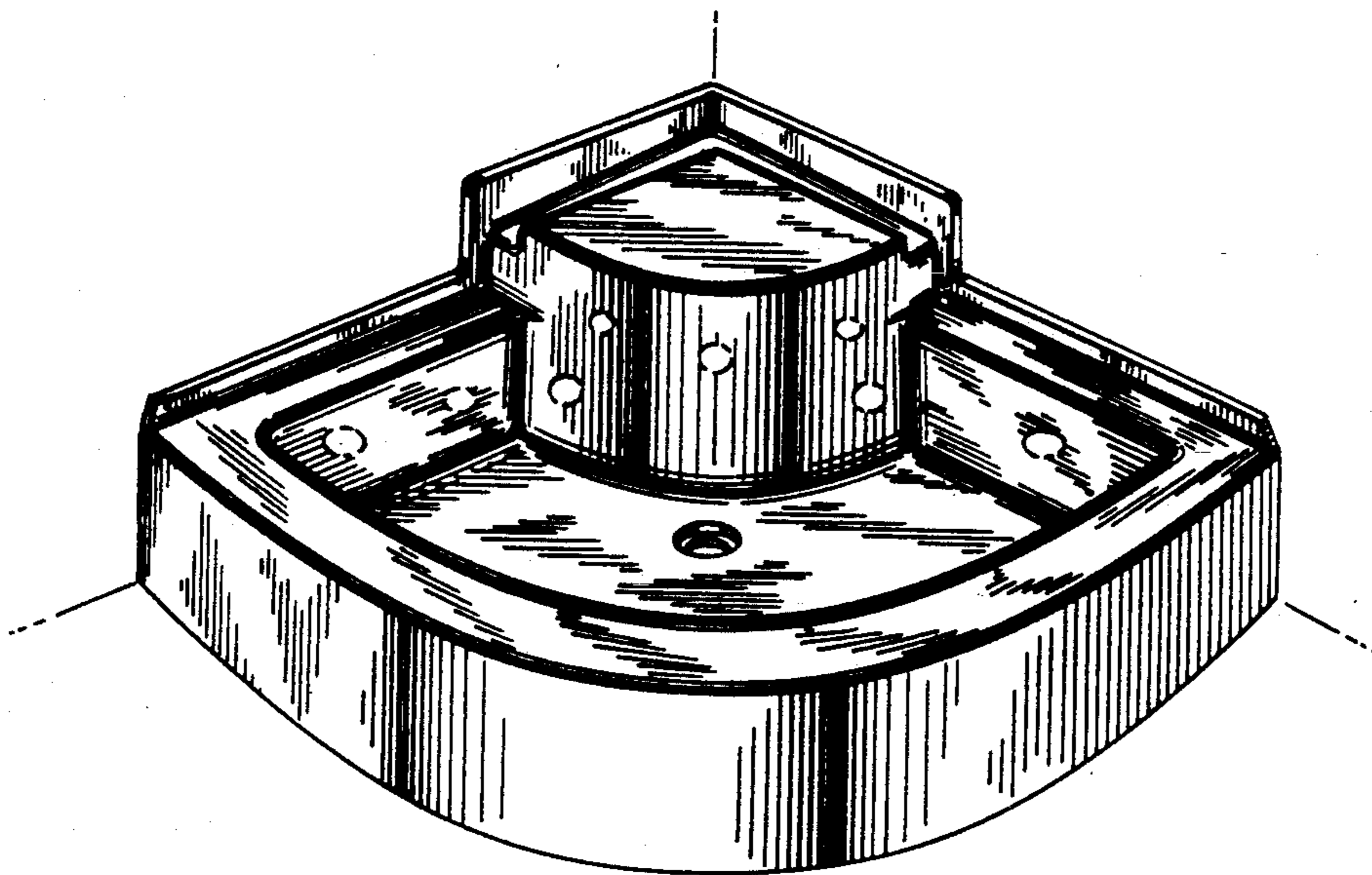
FIG. 2 is a left side elevational view thereof, the right side being a mirror image of the left side;

FIG. 3 is a top plan view thereof;

FIG. 4 is a cross-sectional view thereof taken on line 4-4 of FIG. 3; and,

FIG. 5 is a cross-sectional view thereof taken on line 5-5 of FIG. 3.

The broken line representation of openings and the fragmentary broken line representation of bathroom walls in FIG. 1 are for the purpose of illustration only and form no part of the claimed design.



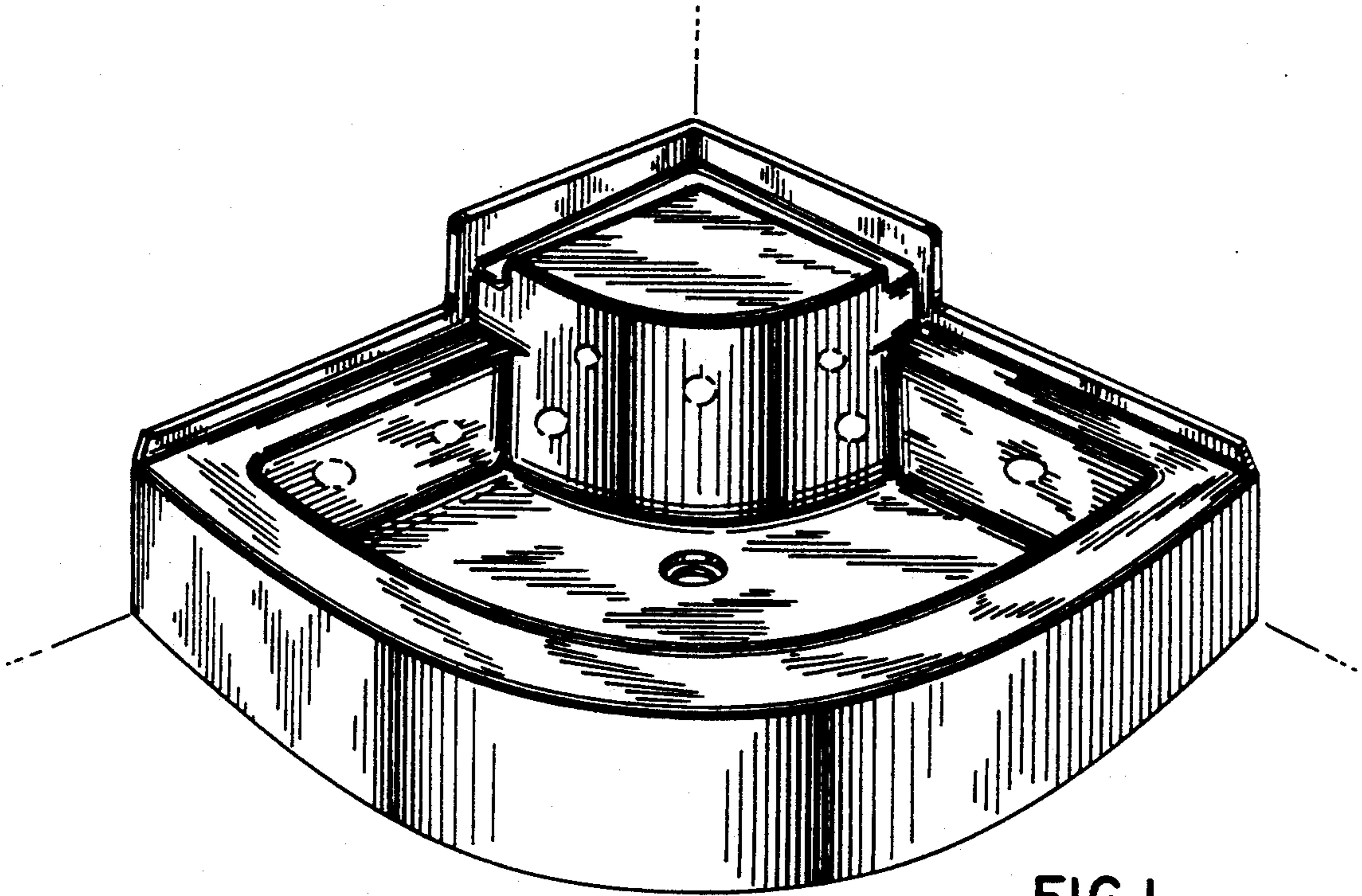


FIG. 1

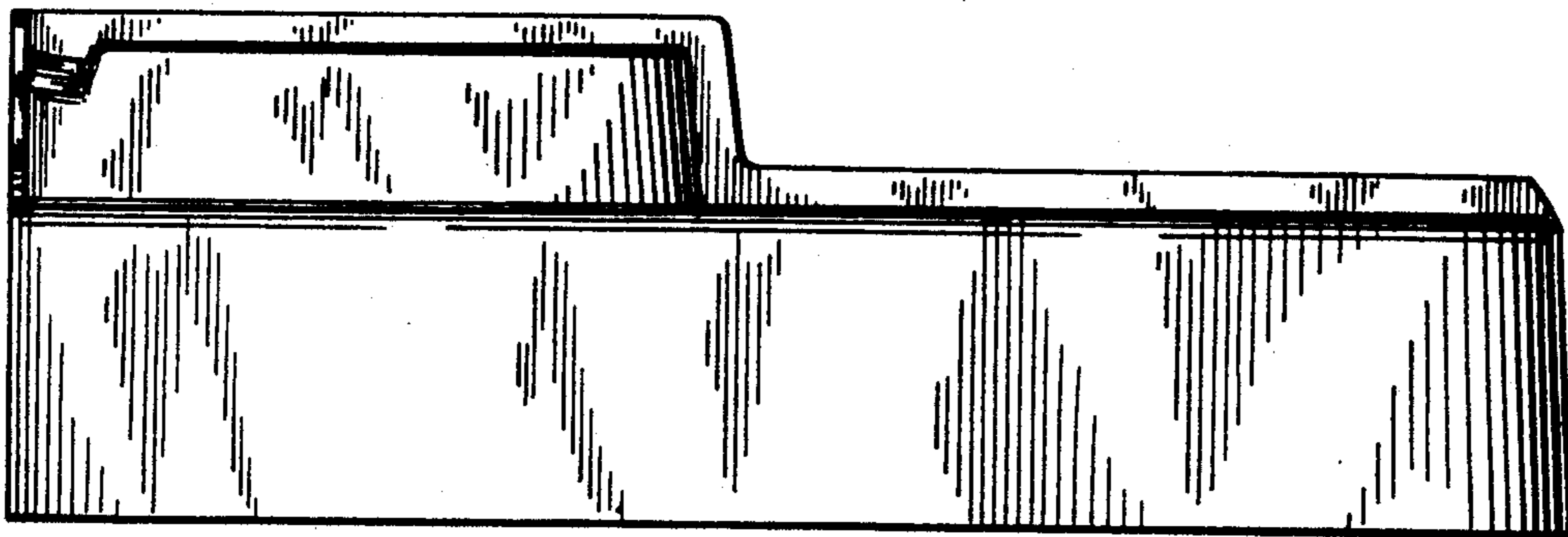


FIG. 2

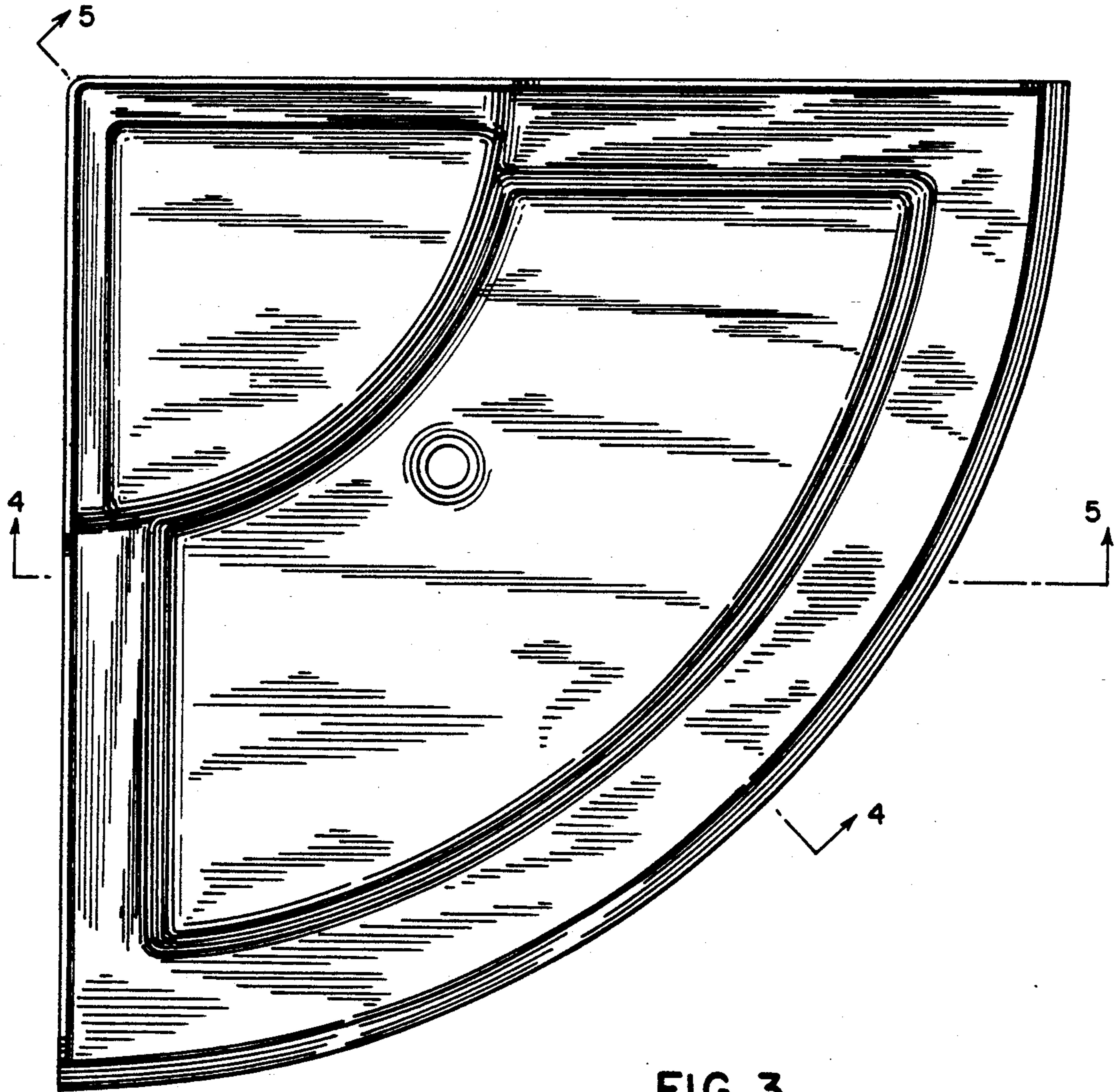


FIG. 4

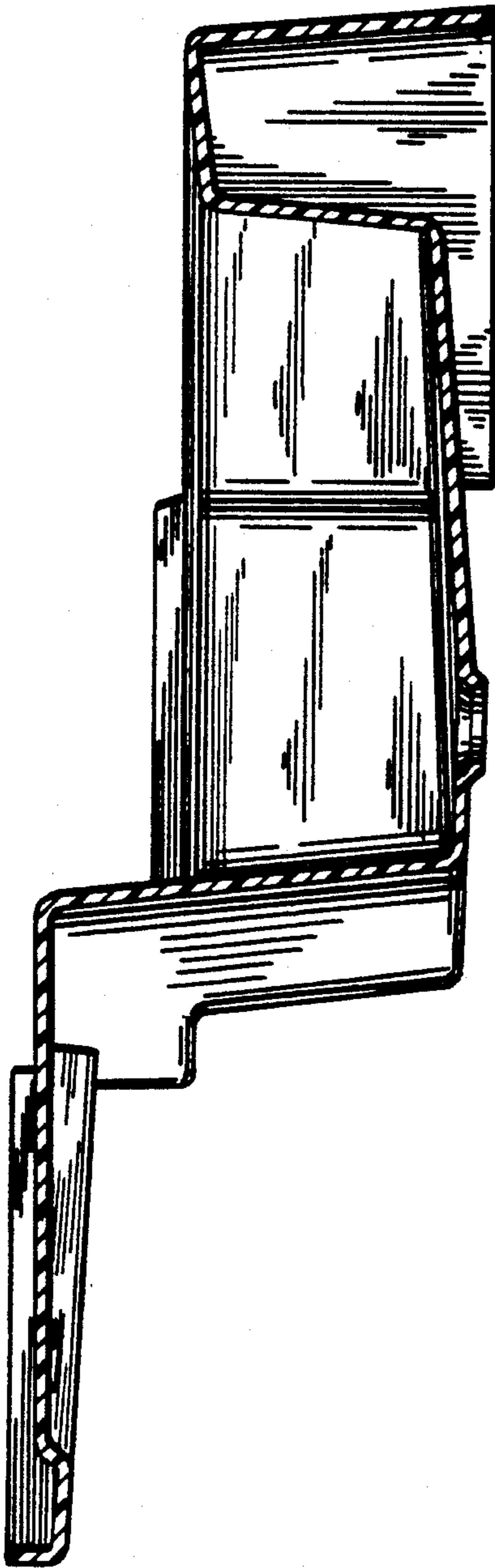


FIG. 5

