



US00D338257S

United States Patent [19]

Toohill et al.

[11] Patent Number: **Des. 338,257**

[45] Date of Patent: **** Aug. 10, 1993**

[54] **FILL VALVE FOR SWIMMING POOLS**

[76] Inventors: **Michael L. Toohill; Kathryn J. Toohill**, both of P.O. Box 674, 29576 Loop Dr., Cedar Glen, Calif. 92321

[**] Term: **14 Years**

[21] Appl. No.: **767,921**

[22] Filed: **Sep. 30, 1991**

[52] U.S. Cl. **D23/236**

[58] Field of Search **D23/233-237, D23/244-250; 4/507-512; 137/426, 434, 448**

[56] **References Cited**

U.S. PATENT DOCUMENTS

D. 257,544	11/1980	Johnson	D23/236
D. 257,566	11/1980	Kottmeier	D23/236
D. 292,821	11/1987	Tsolkas	D23/236
2,809,752	10/1957	Leslie	137/428 X
3,310,065	3/1967	Godshalk	137/426 X
3,908,206	9/1975	Grewing	137/426 X

4,342,125	8/1982	Hodge	4/508
4,586,532	5/1986	Tsolkas	137/426
4,741,358	5/1988	Cho	137/426

Primary Examiner—James R. Largen
Attorney, Agent, or Firm—Leon Gilden

[57] **CLAIM**

The ornamental design for a fill valve for swimming pools, as shown and described.

DESCRIPTION

FIG. 1 is a front elevational view of a fill valve for swimming pools showing our new design; FIG. 2 is a rear elevational view thereof; FIG. 3 is a left side elevational view thereof; FIG. 4 is a right side elevational view thereof; FIG. 5 is a top plan view thereof; and, FIG. 6 is a bottom plan view thereof. The fragmentary broken line representation of a swimming pool in FIG. 1 is for purposes of illustration only and forms no part of the claimed design.

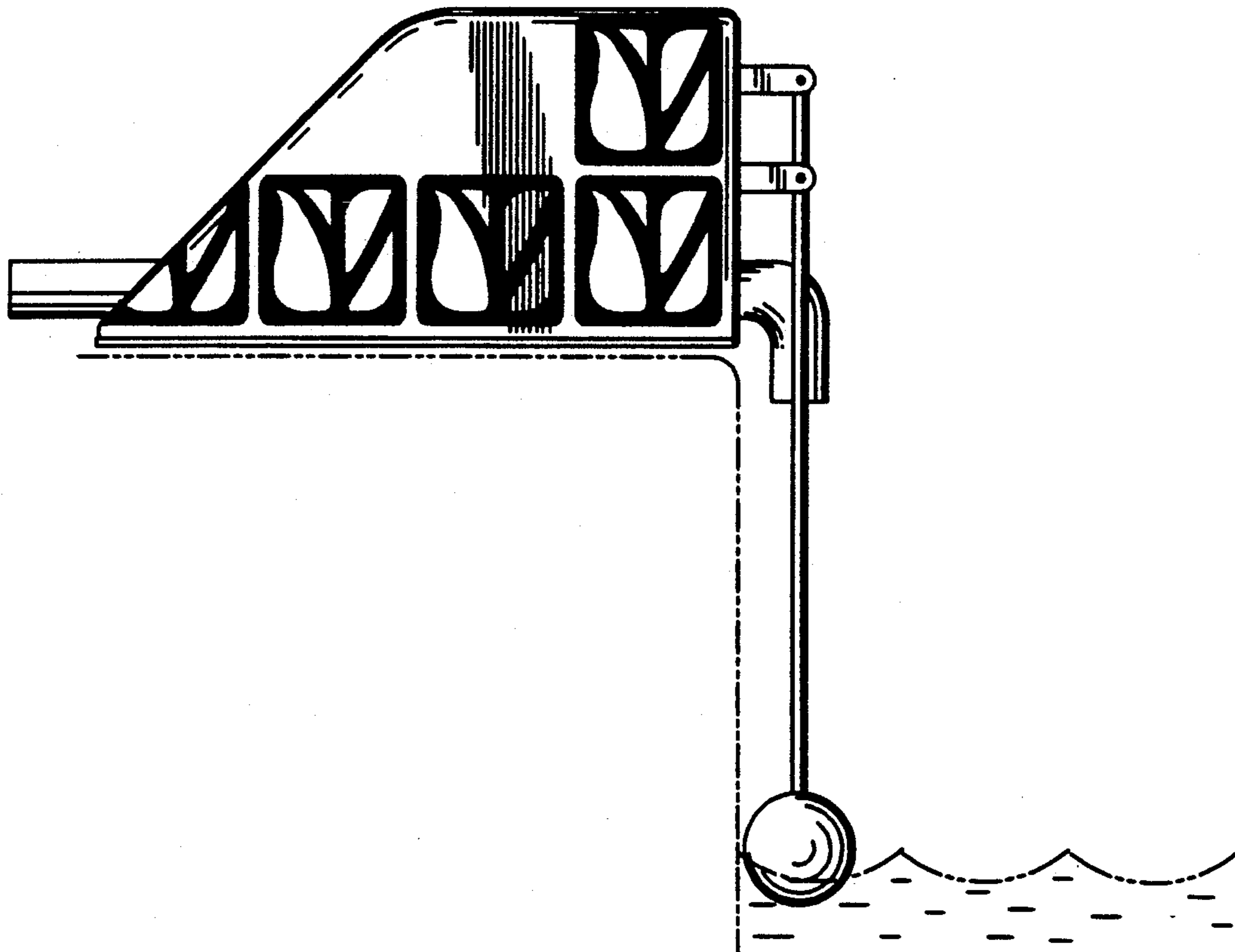


FIG. 1

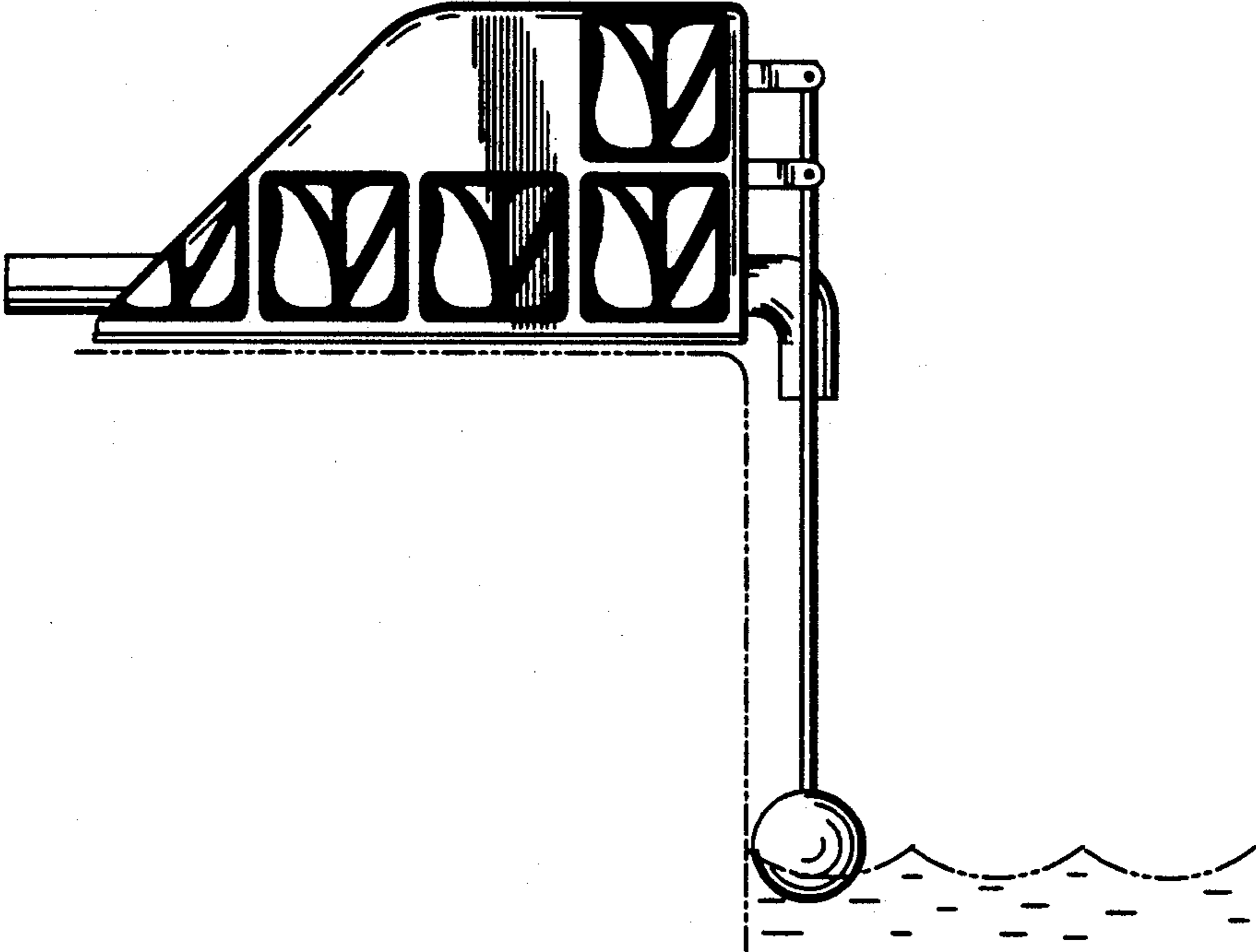


FIG. 2

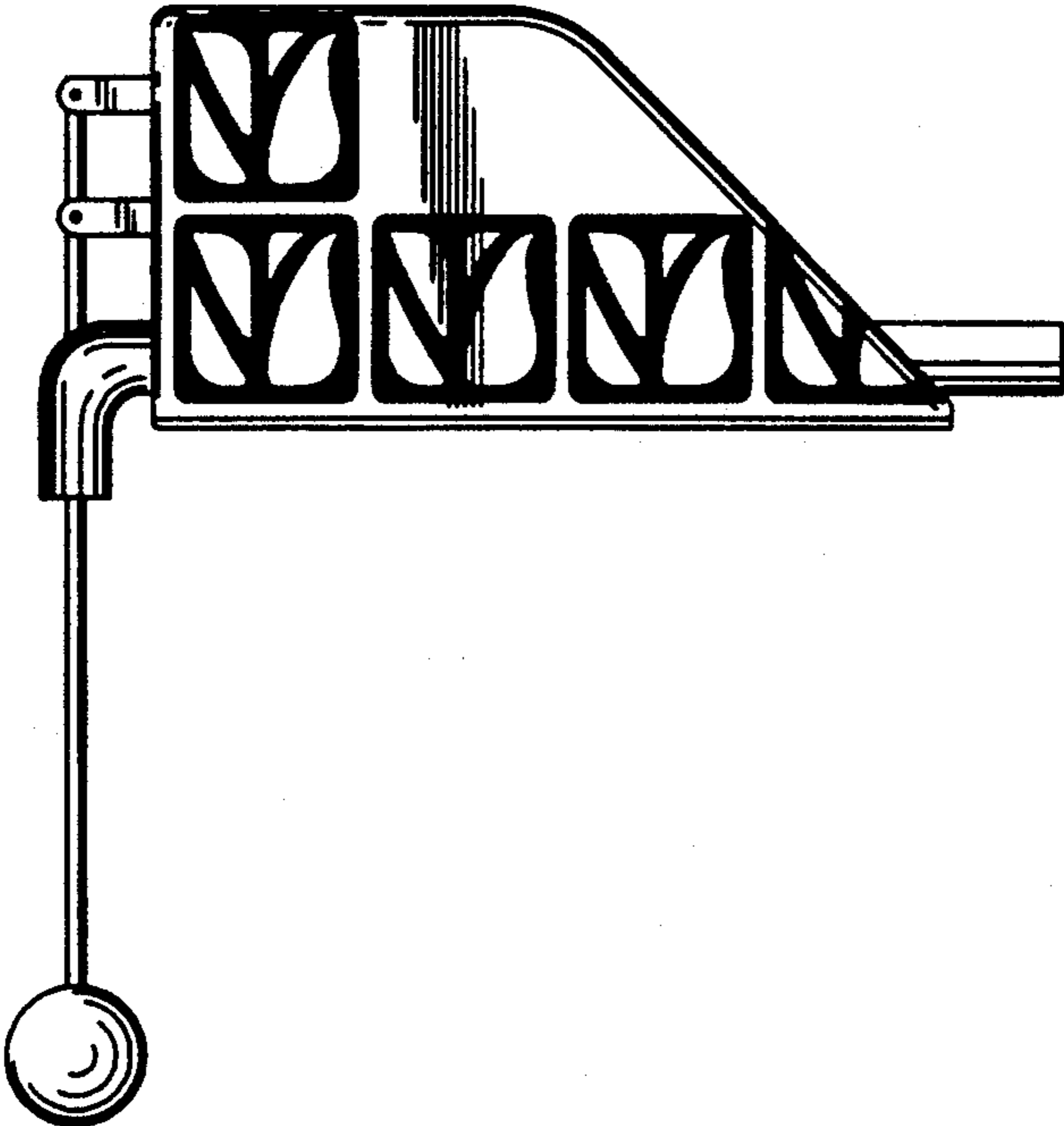


FIG. 3

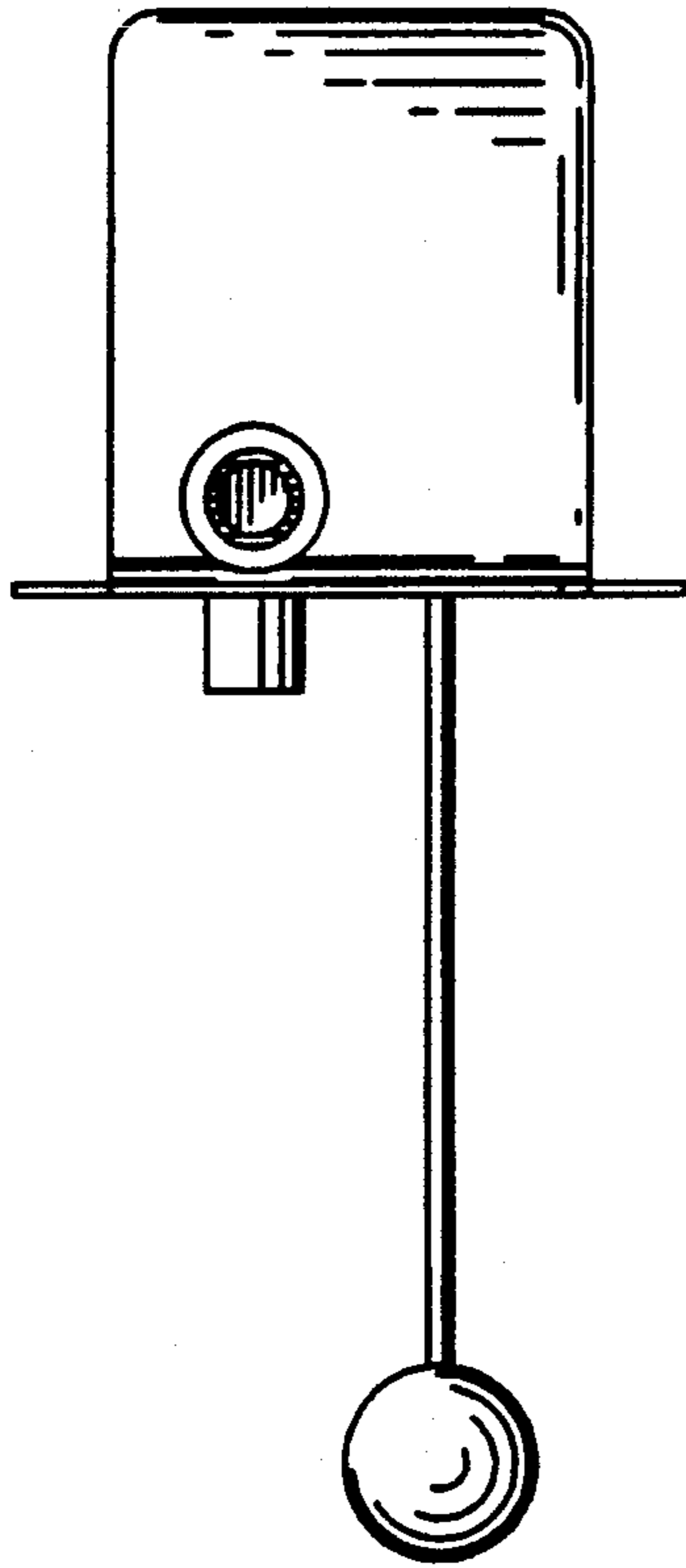


FIG. 4

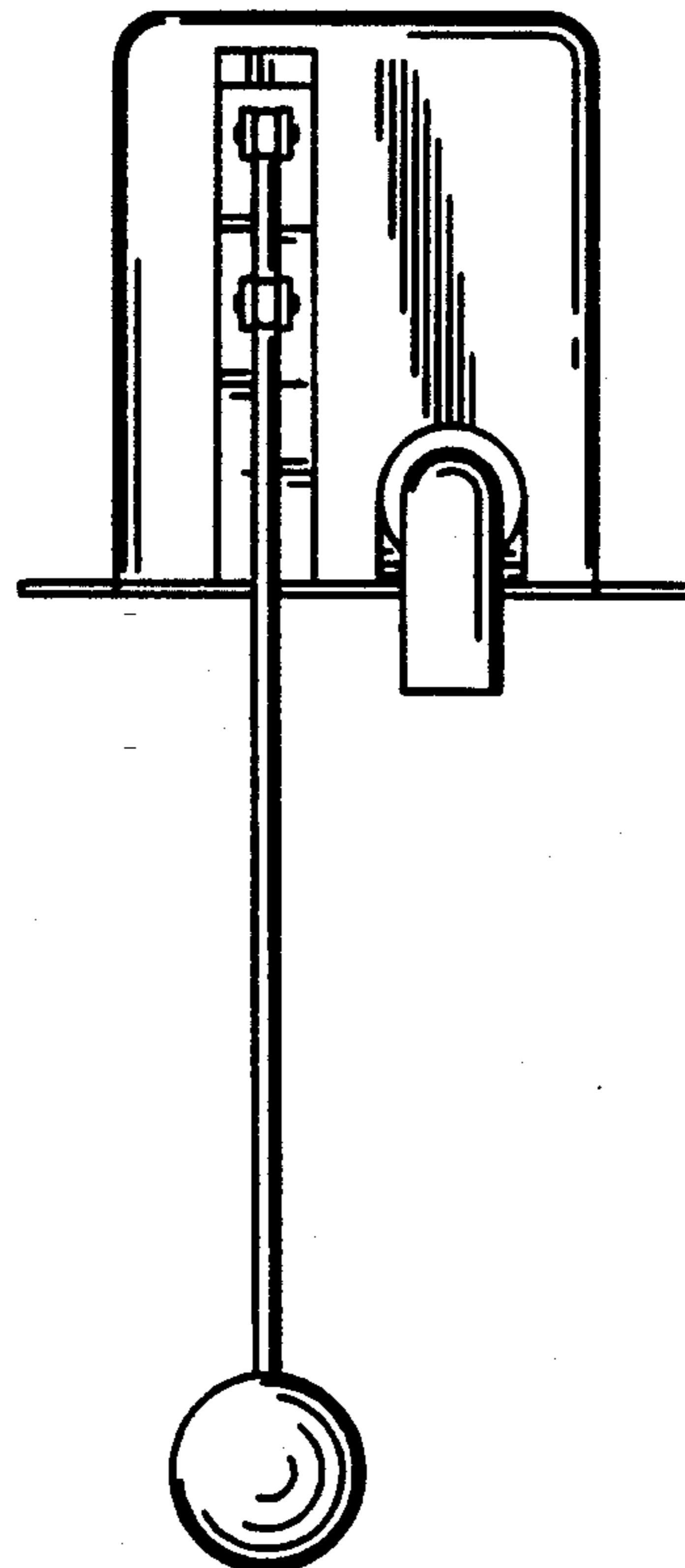


FIG. 5

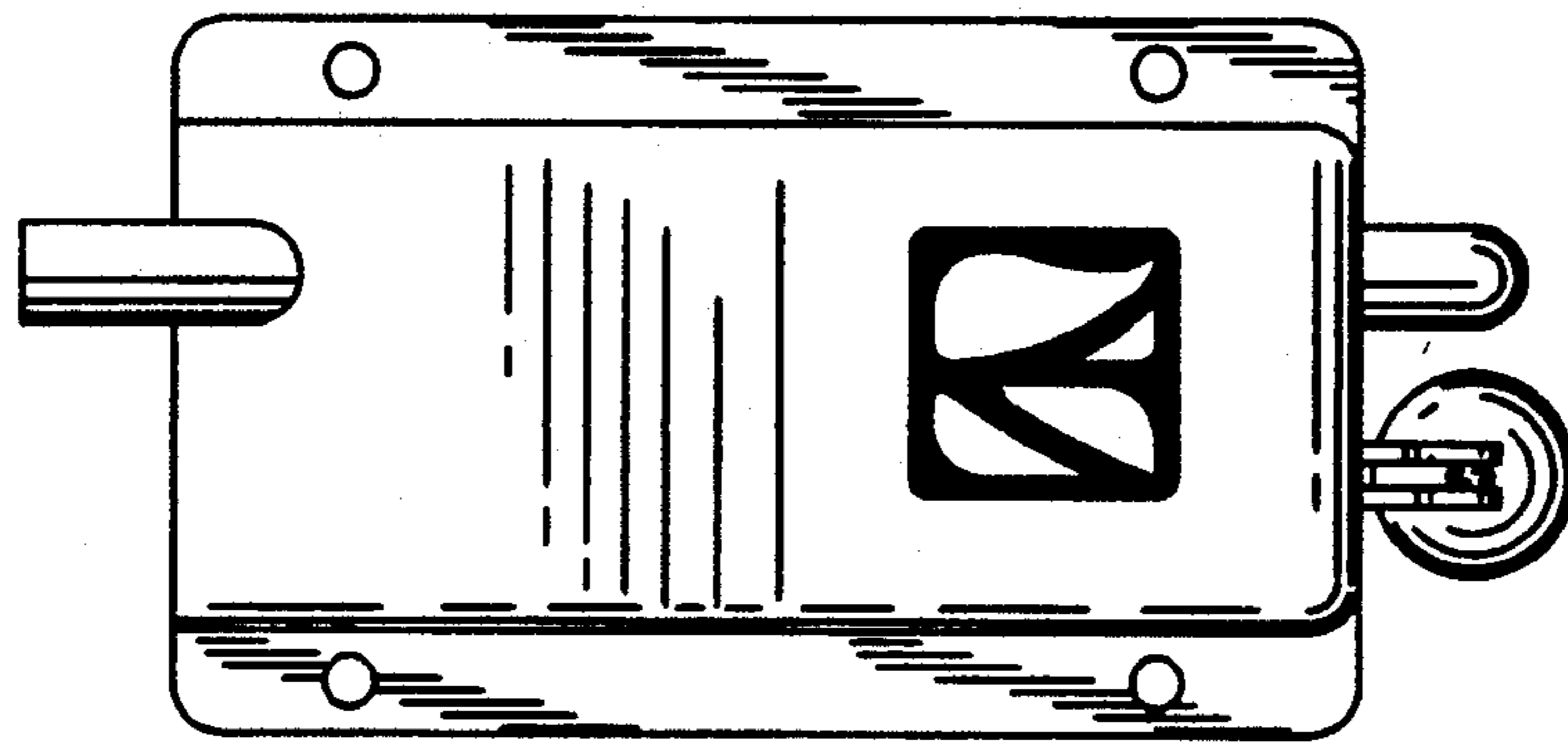


FIG. 6

