



US00D338254S

United States Patent [19]

[11] Patent Number: **Des. 338,254**

Ribbeck

[45] Date of Patent: **** Aug. 10, 1993**

[54] **GOLF ACCESSORY HOLDER**

3,753,519	8/1973	Gammon	224/5
4,449,310	5/1984	Kline	40/11
4,699,303	10/1987	Kline	224/252
4,830,248	5/1989	Pommenville	224/269

[76] Inventor: **Rick Ribbeck, 12021 E. 25th, Spokane, Wash. 99206**

[**] Term: **14 Years**

Primary Examiner—Melvin B. Feifer
Attorney, Agent, or Firm—Wells, St. John, Roberts, Gregory & Matkin

[21] Appl. No.: **718,835**

[57] **CLAIM**

[22] Filed: **Jun. 21, 1991**

[52] U.S. Cl. **D21/234; D3/104**

The ornamental design for a golf accessory holder, as shown and described.

[58] Field of Search **D21/234; D3/100, 103, D3/104; D6/552; 273/32 E, 32 R; 224/918, 919, 163; D8/373, 395**

DESCRIPTION

[56] **References Cited**

U.S. PATENT DOCUMENTS

- D. 156,928 1/1950 Wooden .
- D. 165,253 11/1951 Ward .
- D. 280,676 9/1985 Williams D3/104
- D. 296,156 6/1988 Deany et al. D3/104
- D. 301,286 5/1989 Hird D3/104
- 1,627,145 5/1927 Breed .
- 2,593,042 4/1952 Lynskey 224/5

FIG. 1 is a perspective view of the golf accessory holder, showing related accessories in dashed lines for illustrative purposes only and forms no part of my design;

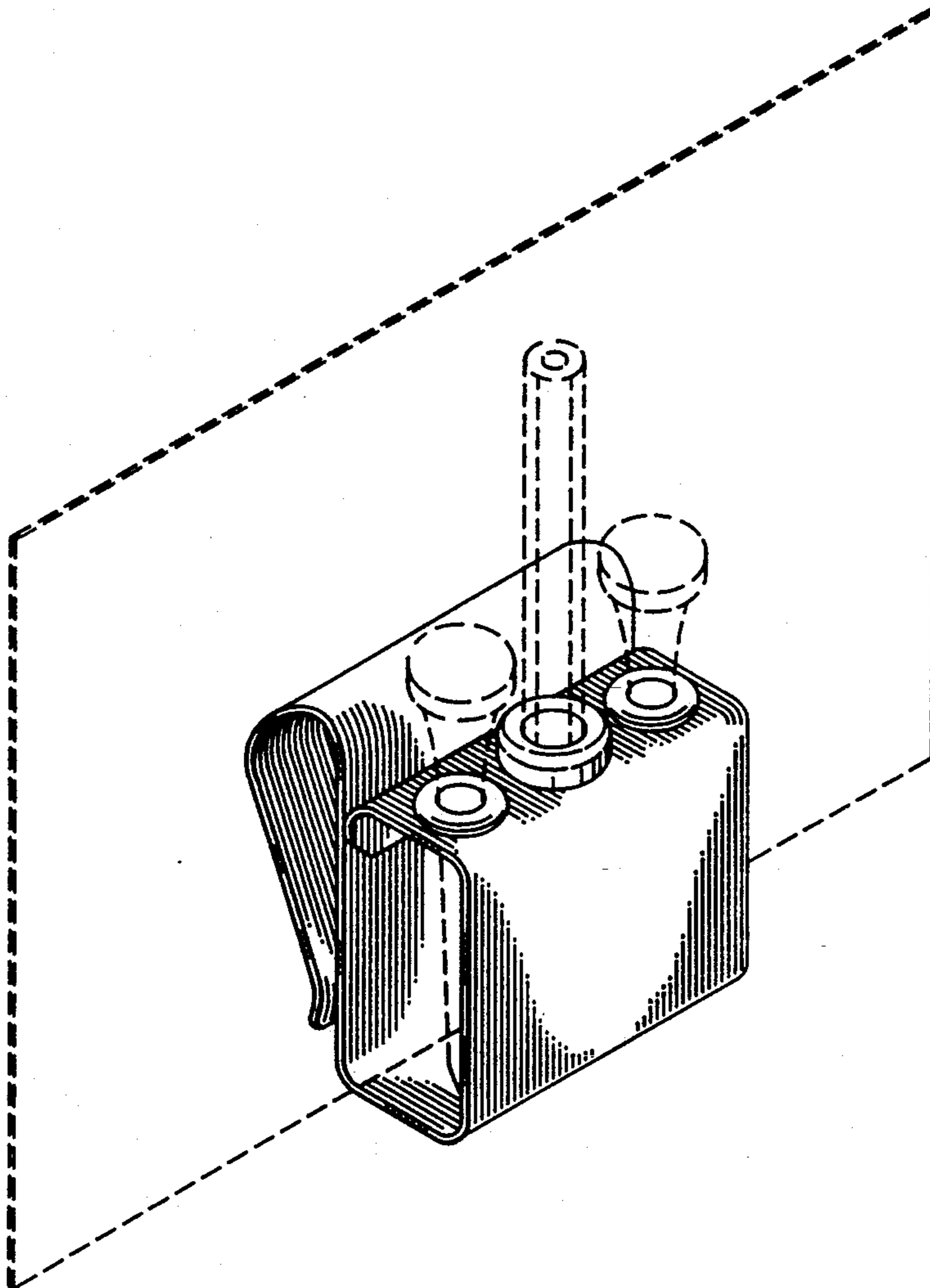
FIG. 2 is a front elevation view of the holder;

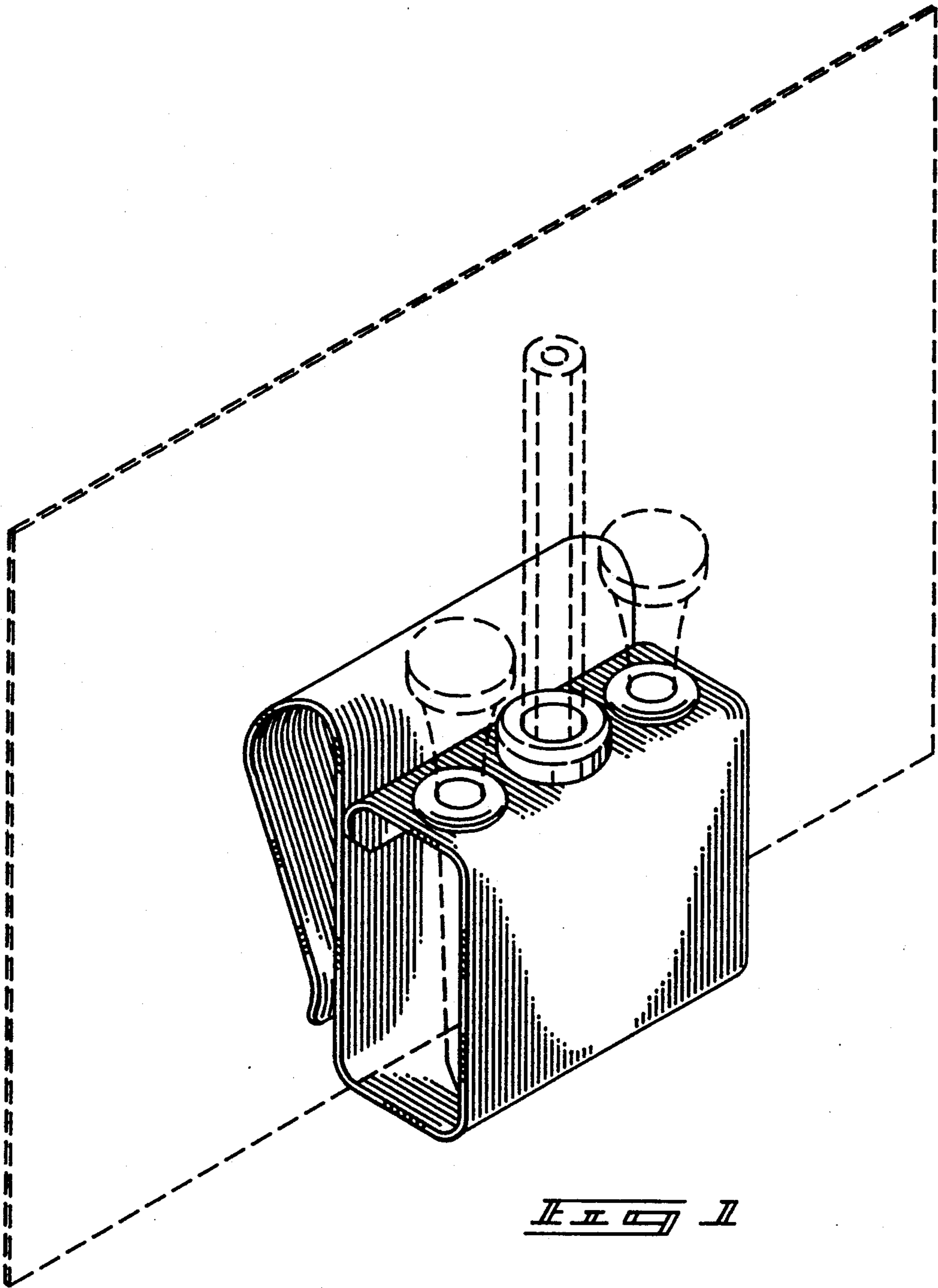
FIG. 3 is an end view, the opposite end being a mirror image;

FIG. 4 is a rear view;

FIG. 5 is a top view; and,

FIG. 6 is a bottom view.





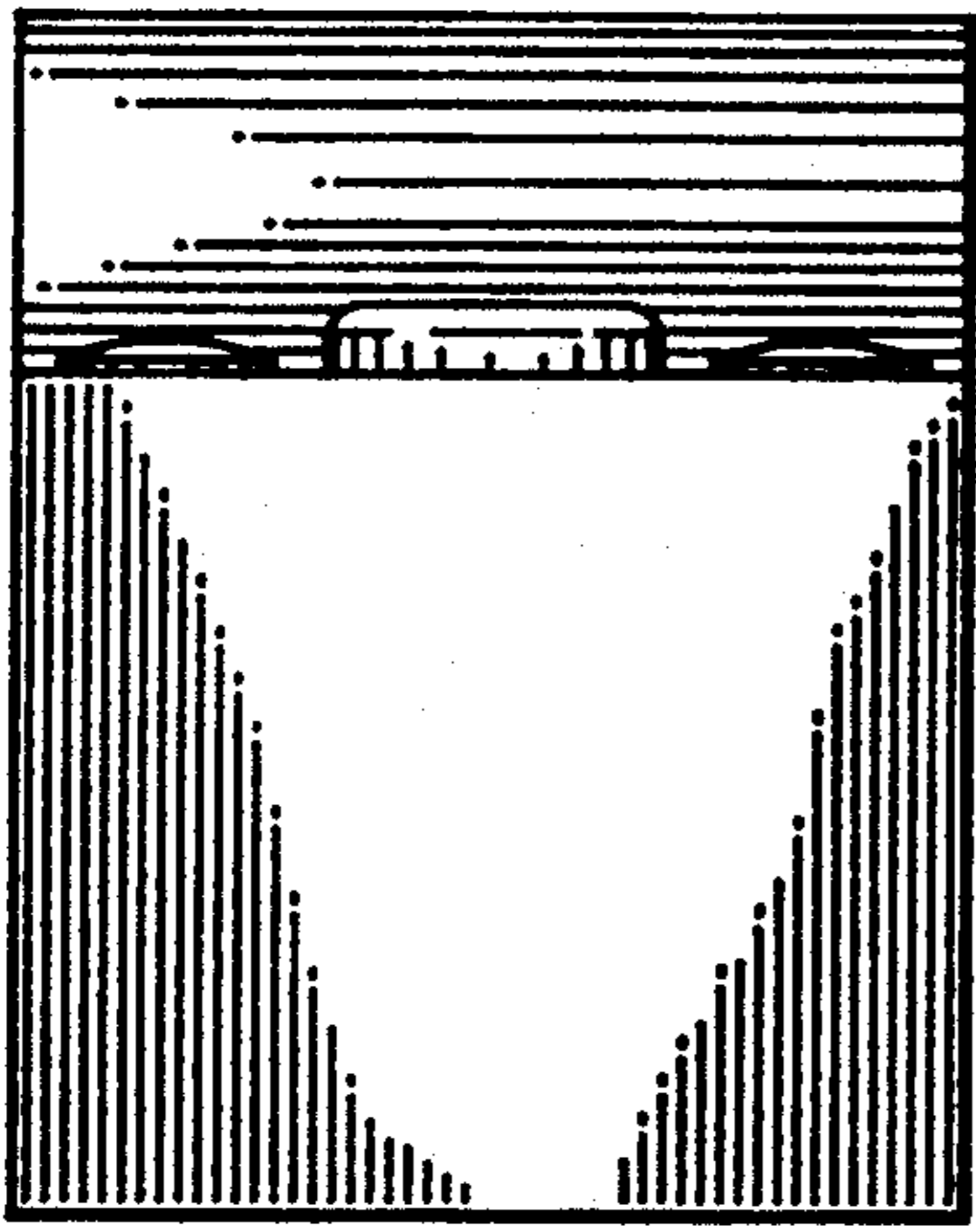


Fig. 2

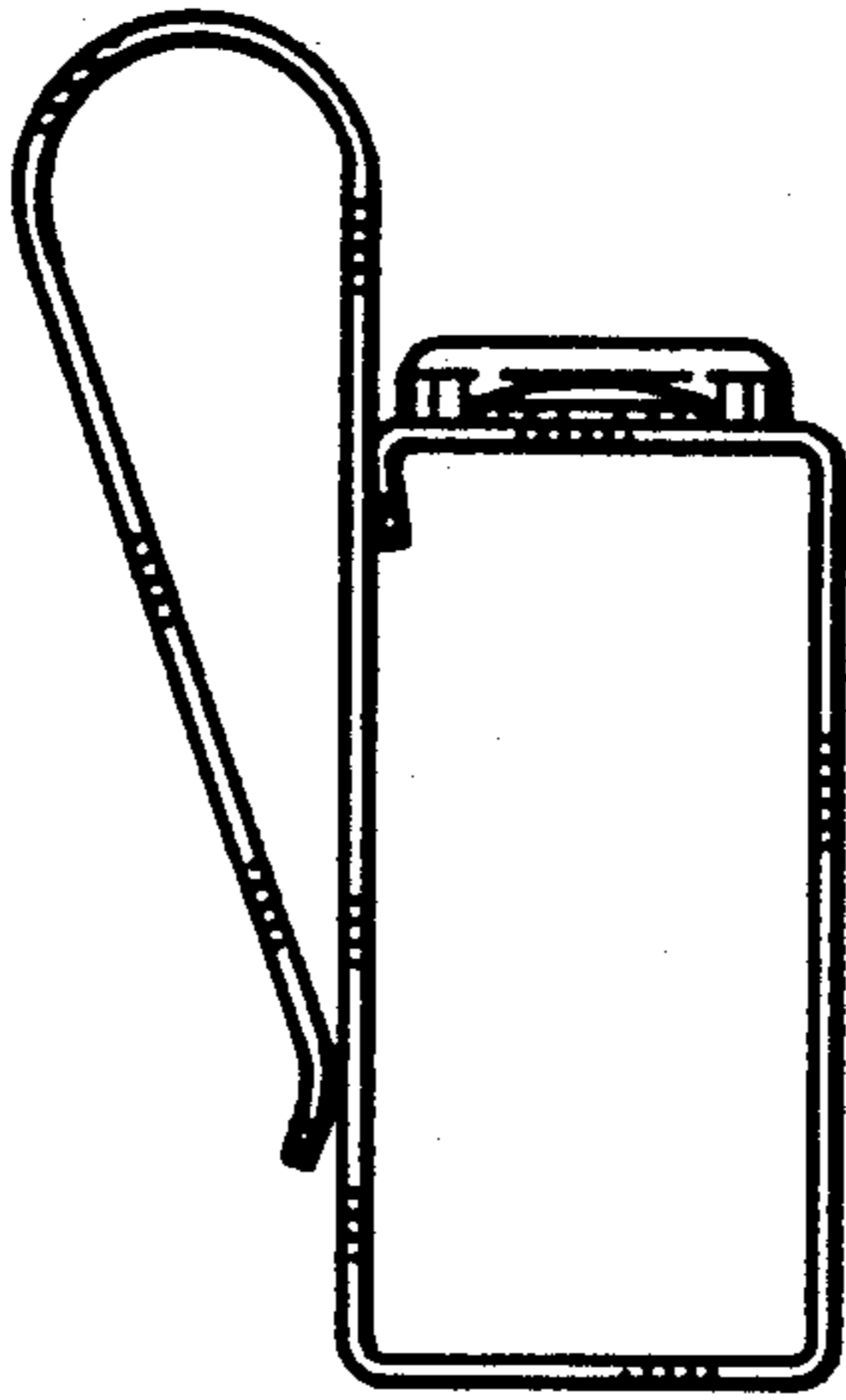


Fig. 3

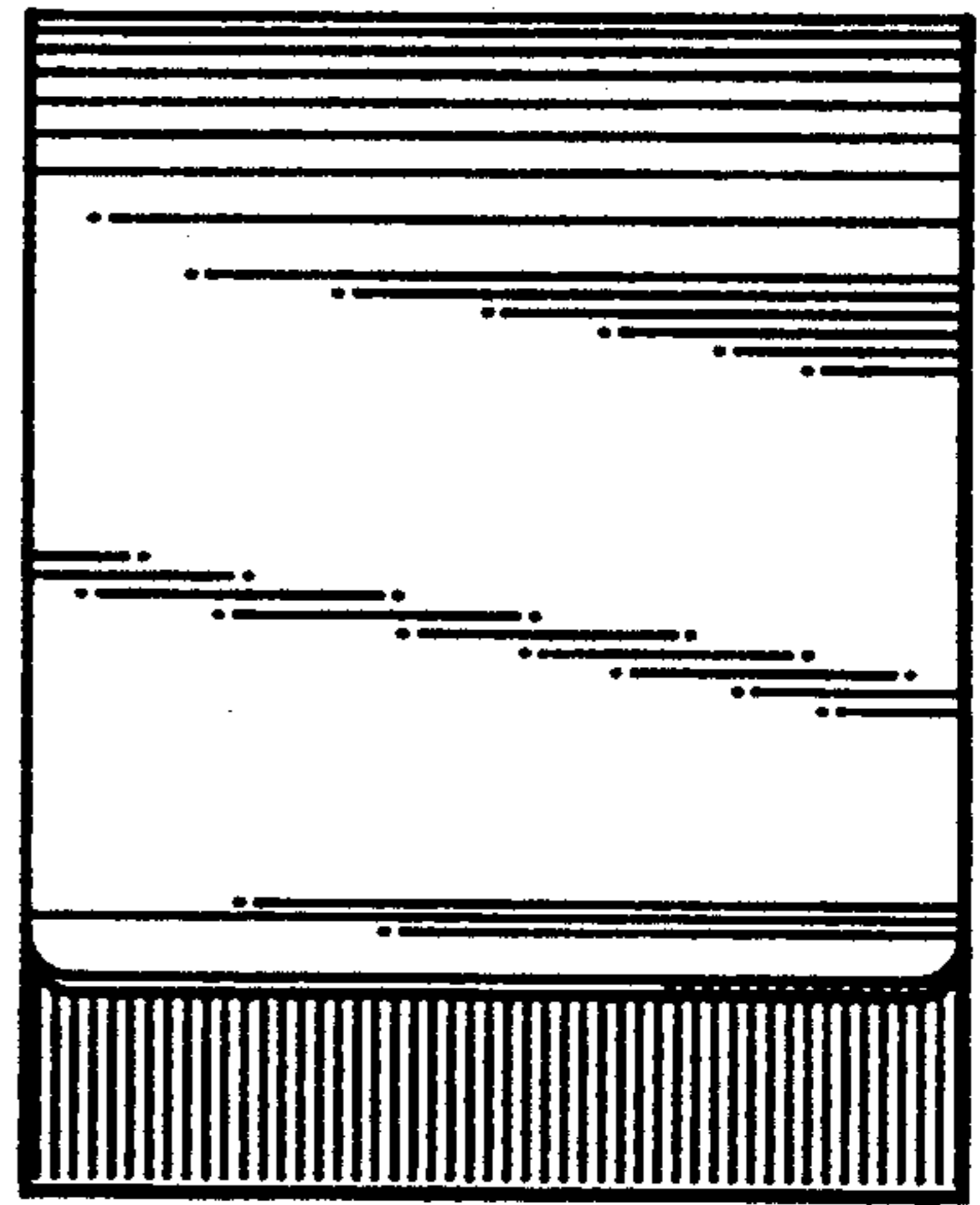


Fig. 4

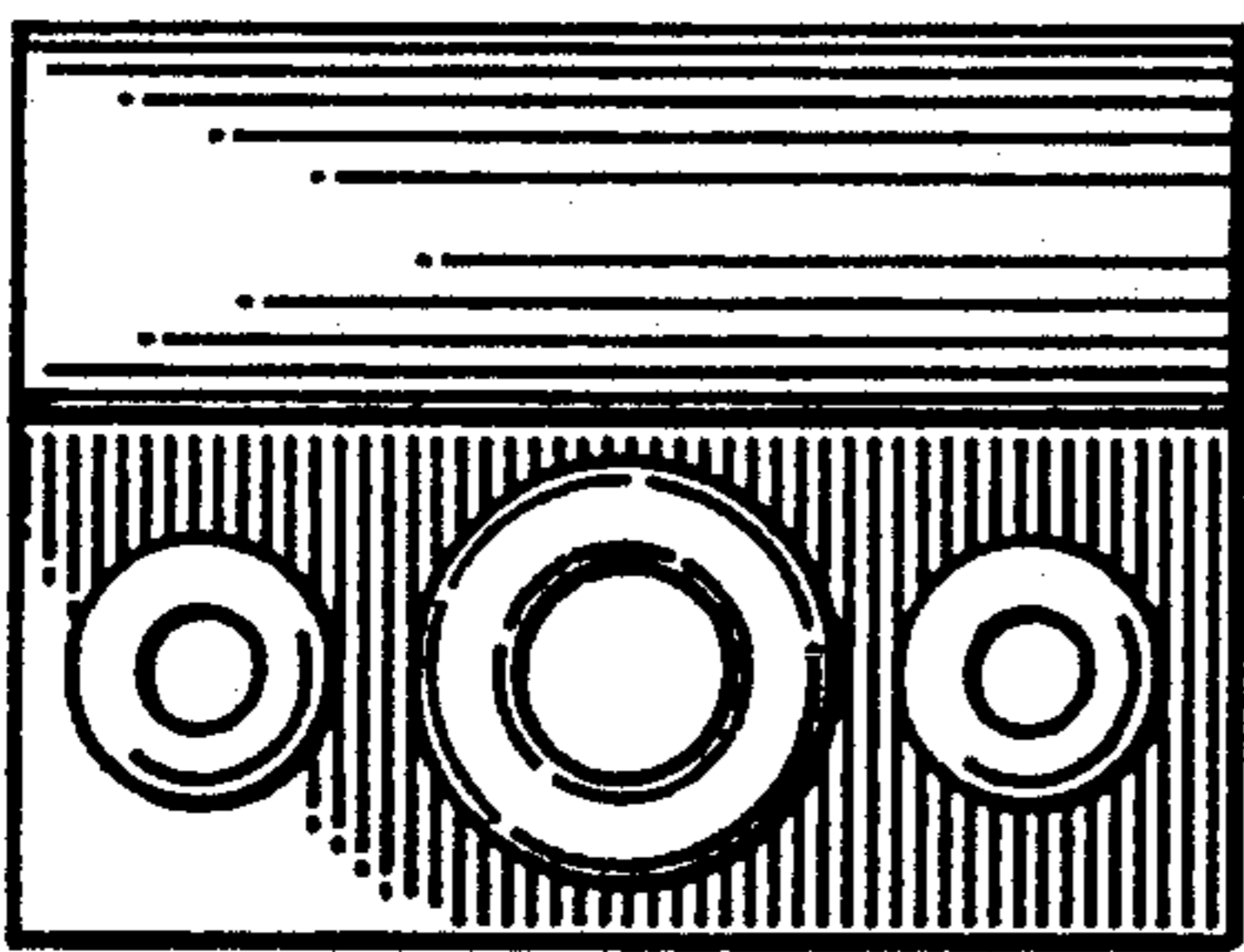


Fig. 5

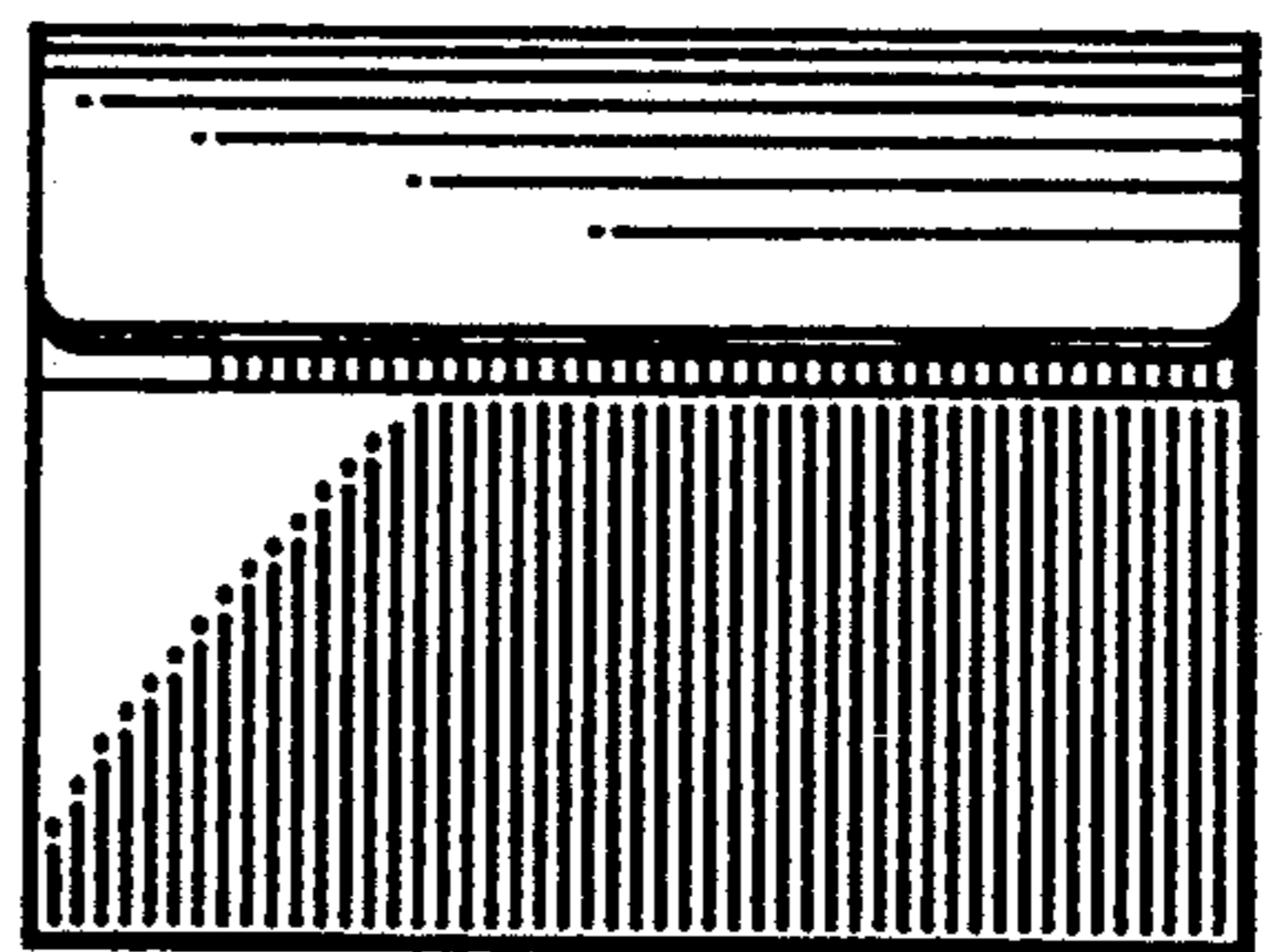


Fig. 6