



US00D338250S

United States Patent [19]

[11] Patent Number: **Des. 338,250**

Tvedt

[45] Date of Patent: **** Aug. 10, 1993**

[54] **FOOTBALL KICKING TEE**

[76] Inventor: **Kory V. Tvedt, 406 17th Ave. West, Williston, N. Dak. 58801**

[**] Term: **14 Years**

[21] Appl. No.: **677,835**

[22] Filed: **Apr. 1, 1991**

[52] U.S. Cl. **D21/209**

[58] Field of Search **D21/209; 273/55 B**

[56] **References Cited**

U.S. PATENT DOCUMENTS

D. 235,462	6/1975	Pennington	D21/209
3,462,145	8/1969	Shirley et al.	273/55 B
4,632,395	12/1986	Ferrebee	273/55 B
4,946,165	8/1990	Rambacher	273/55 B

Primary Examiner—Melvin B. Feifer
Attorney, Agent, or Firm—Leon Gilden

[57] **CLAIM**

The ornamental design for a football kicking tee, as shown and described.

DESCRIPTION

FIG. 1 is a front elevational view of the a football kicking tee showing my new design;
FIG. 2 is a rear elevational view thereof;
FIG. 3 is a left side elevational view thereof;
FIG. 4 is a right side elevational view thereof;
FIG. 5 is a top plan view thereof;
FIG. 6 is a bottom plan view thereof; and,
FIG. 7 is a perspective view thereof with the broken line showing being for illustrative purposes only.

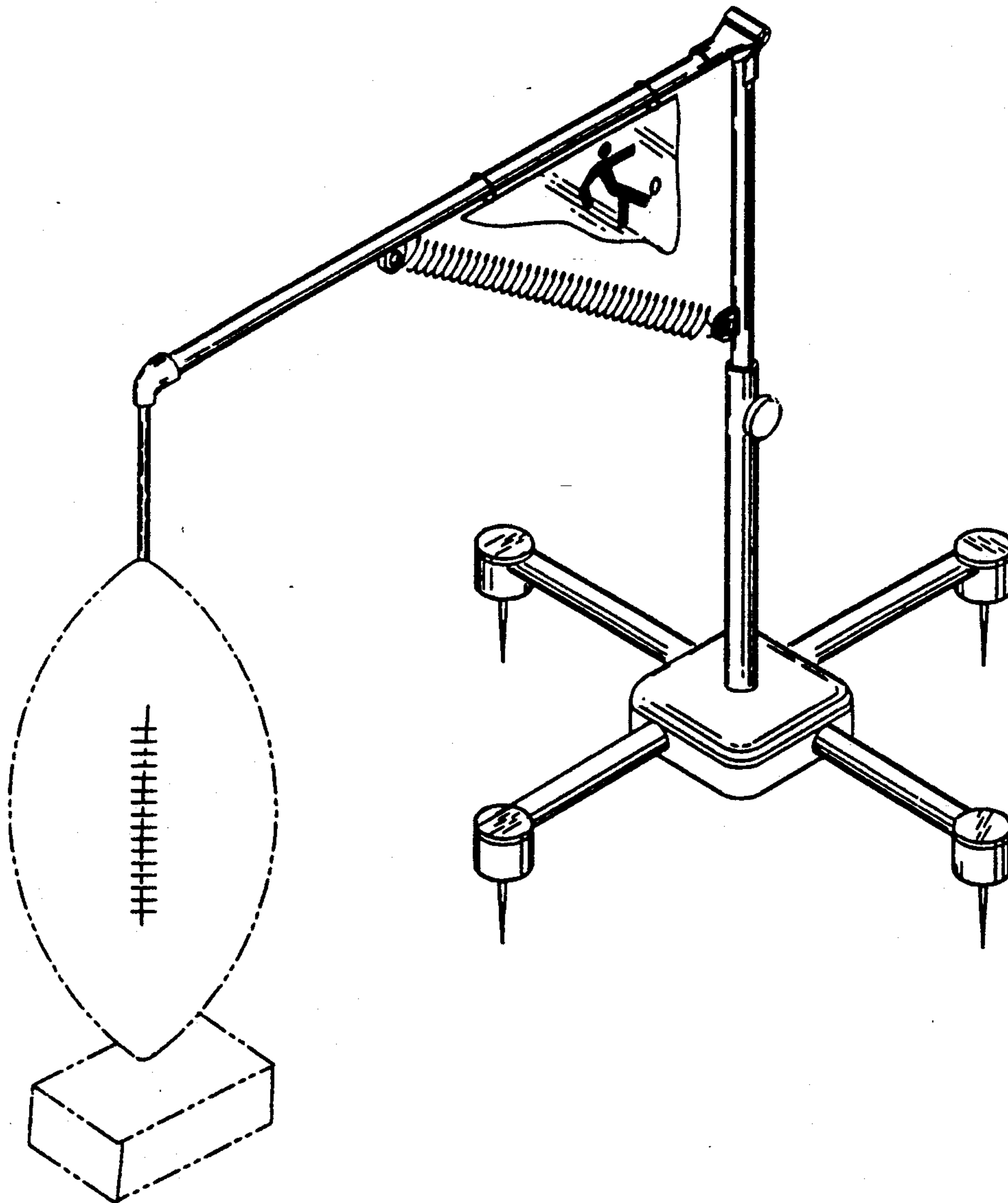


FIG. 1

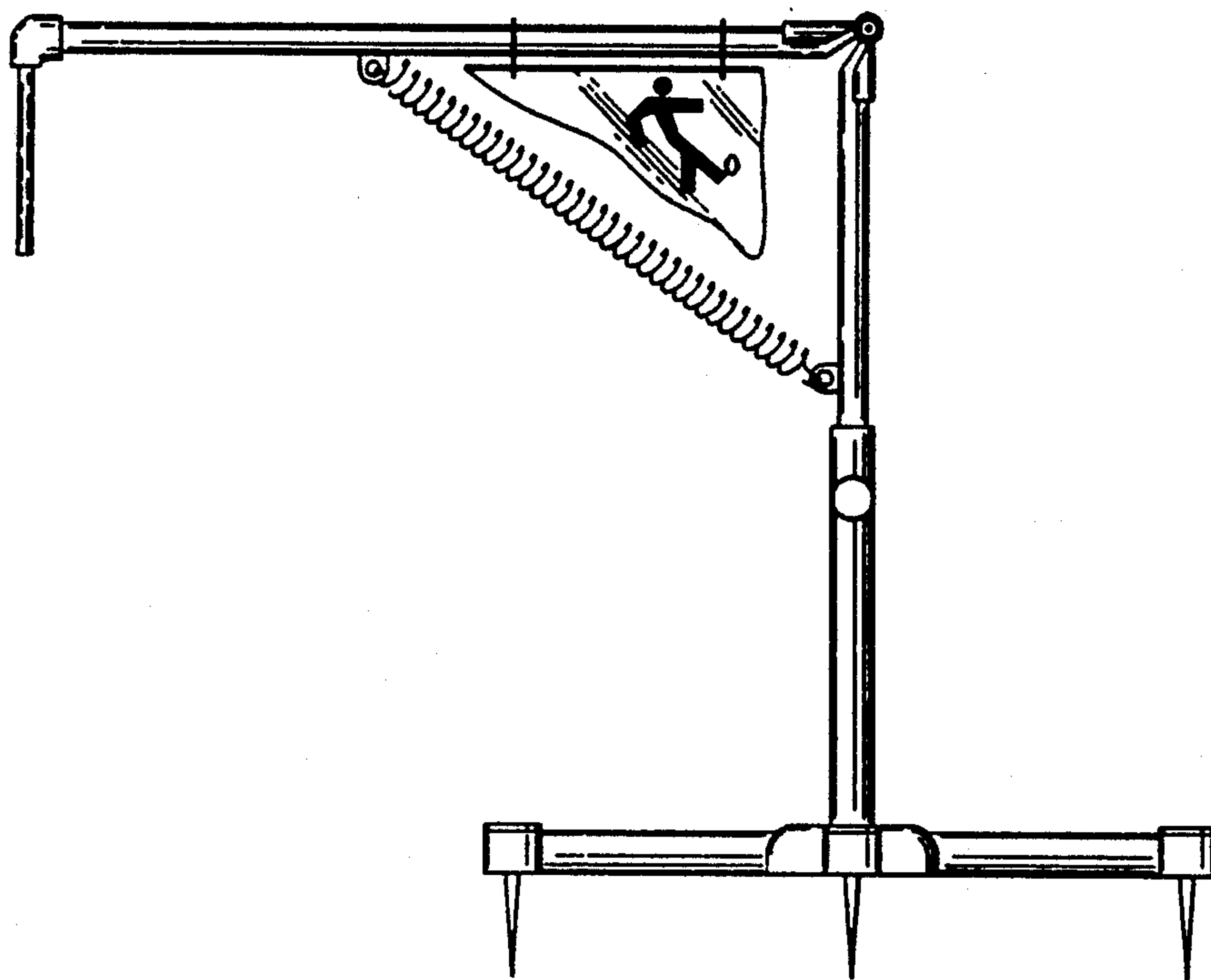


FIG. 2

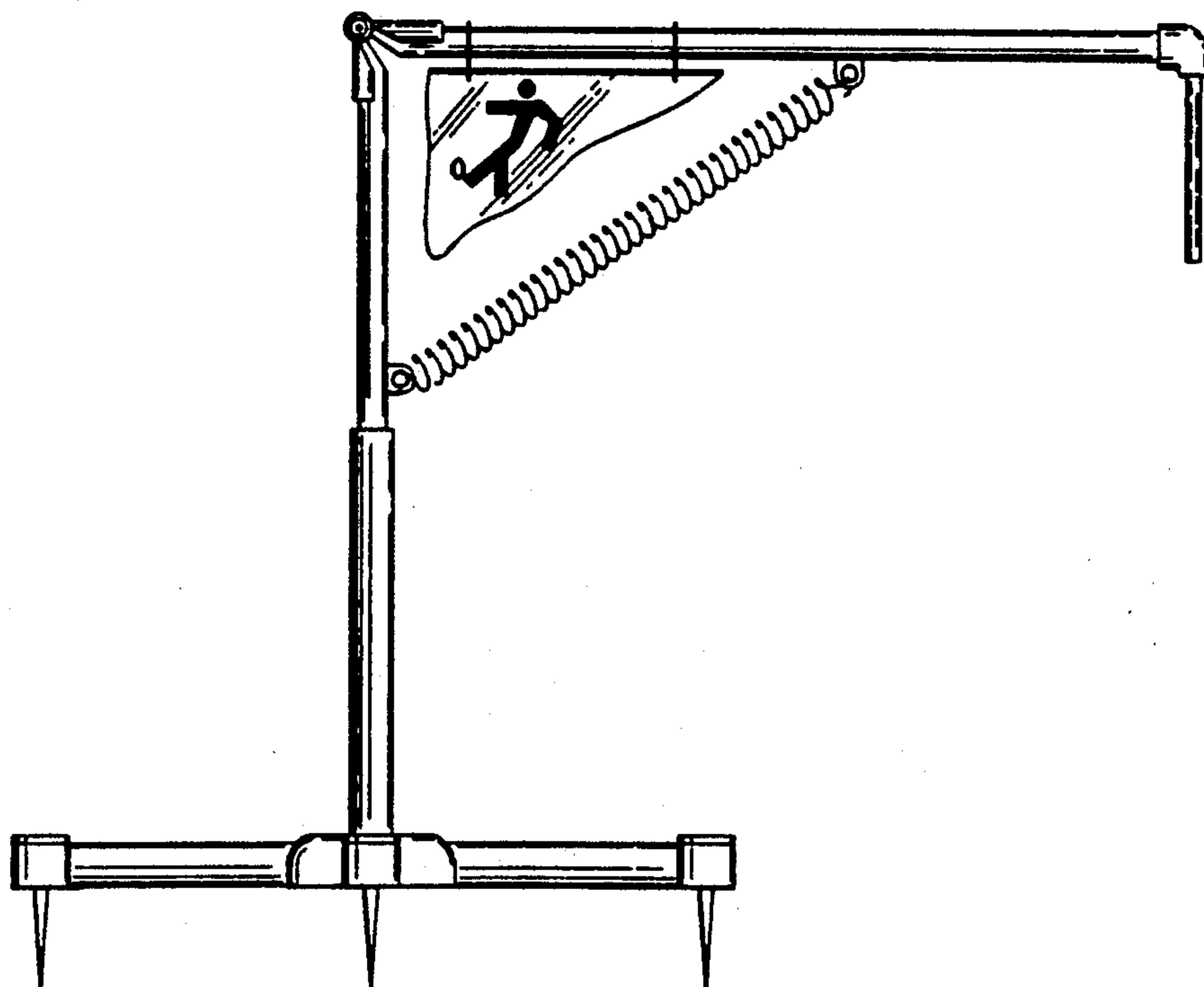


FIG. 3

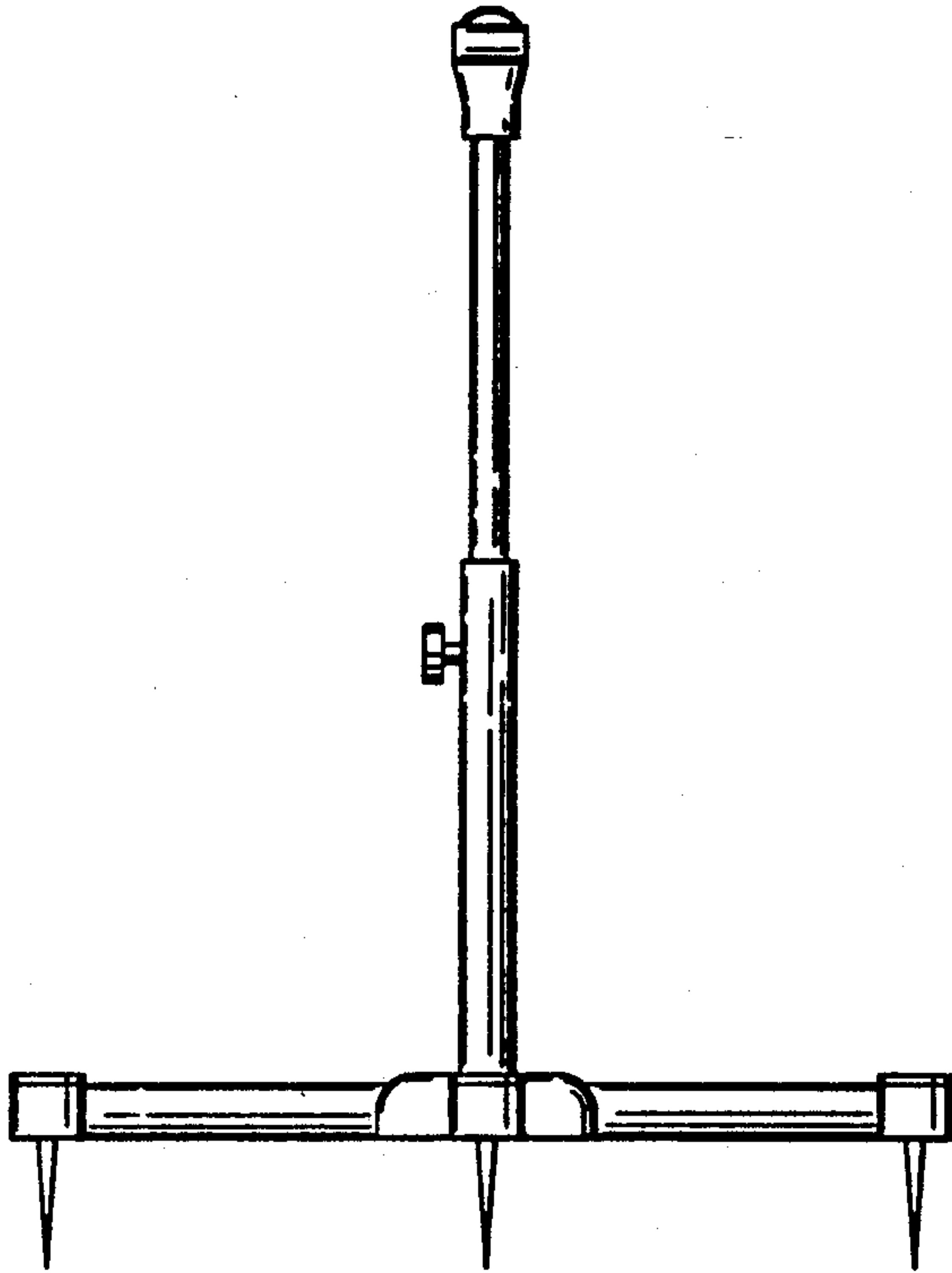


FIG. 4

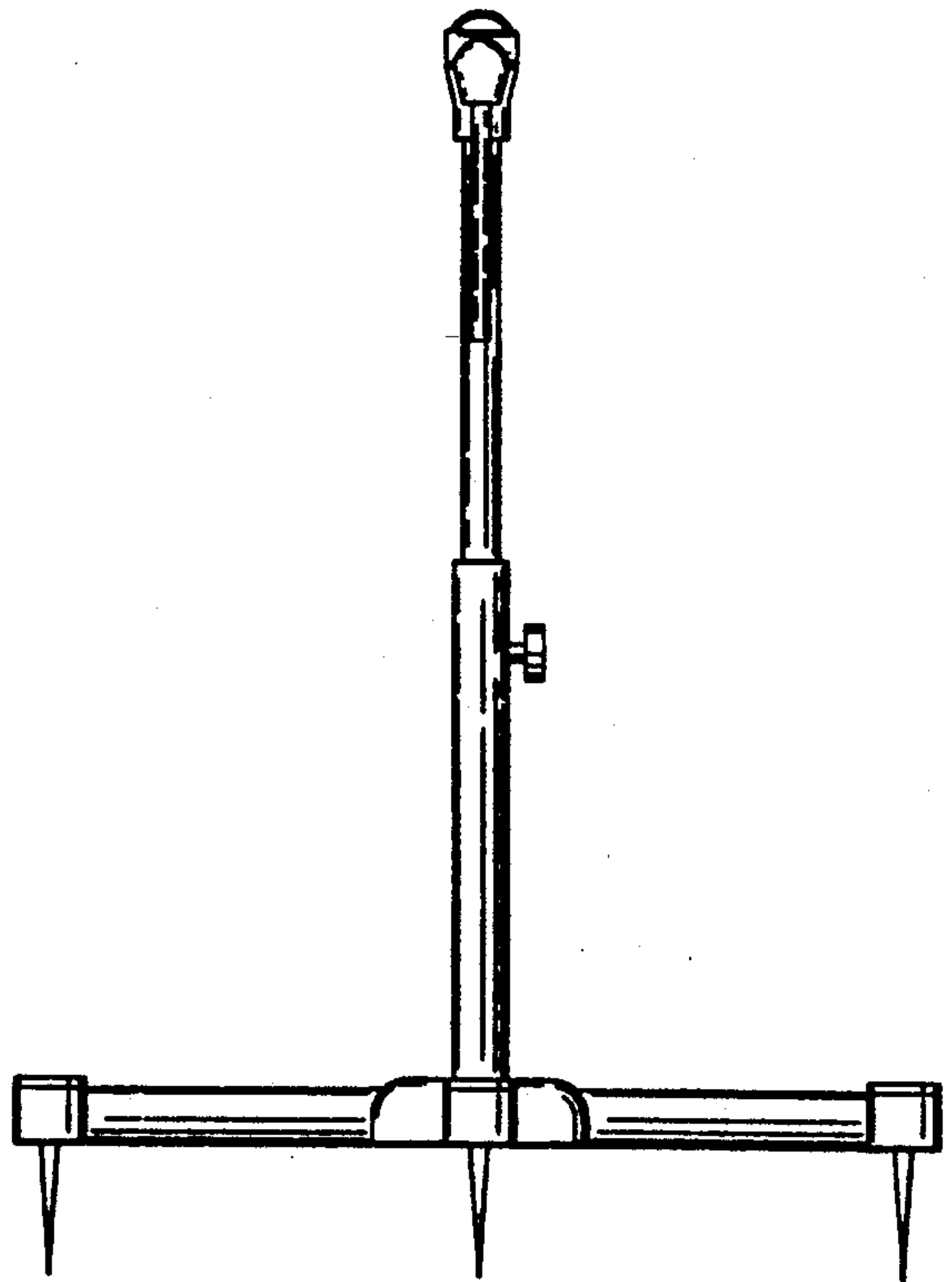


FIG. 5

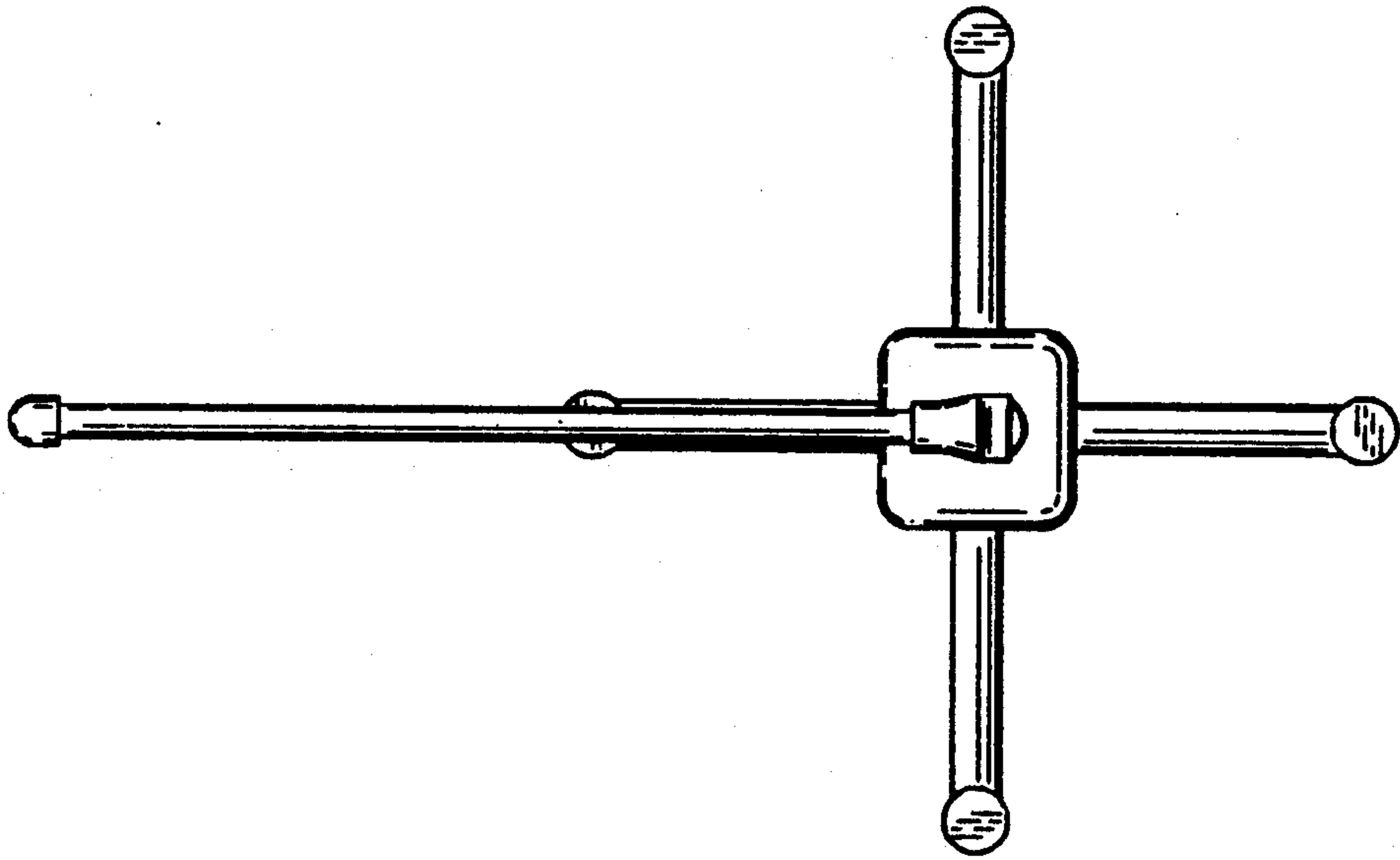


FIG. 6

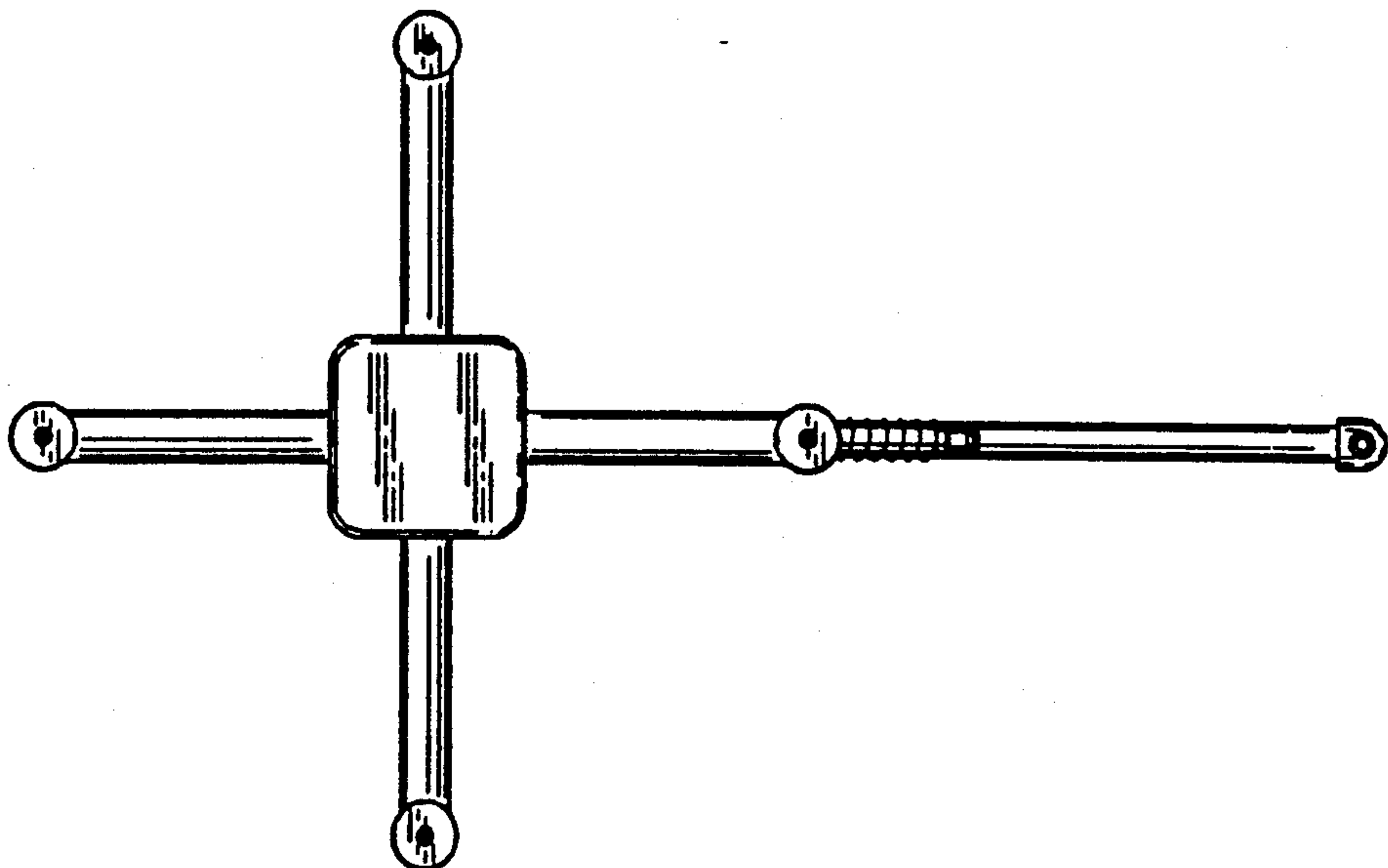


FIG. 7

