



US00D338244S

United States Patent [19]

[11] Patent Number: **Des. 338,244**

Gault

[45] Date of Patent: **** Aug. 10, 1993**

[54] RIDING TOY

[76] Inventor: **Robert L. Gault, 7317 Tanbark Way, Raleigh, N.C. 27615**

[**] Term: **14 Years**

[21] Appl. No.: **876,219**

[22] Filed: **Apr. 30, 1992**

[52] U.S. Cl. **D21/78**

[58] Field of Search **D21/76, 78, 131, 134, D21/136, 137; D12/92, 91; D2/30; 446/465, 7, 433, 462, 470-471; 280/87.01; 296/107, 216; 180/190**

D. 241,960 10/1976 Huffman D21/78
D. 252,816 9/1979 Goldfarb D21/76
D. 295,304 4/1988 Shibukawa D21/136

Primary Examiner—Bernard Ansher
Assistant Examiner—R. Barkai
Attorney, Agent, or Firm—Rhodes, Coats & Bennett

[57] CLAIM

The ornamental design for a riding toy, as shown.

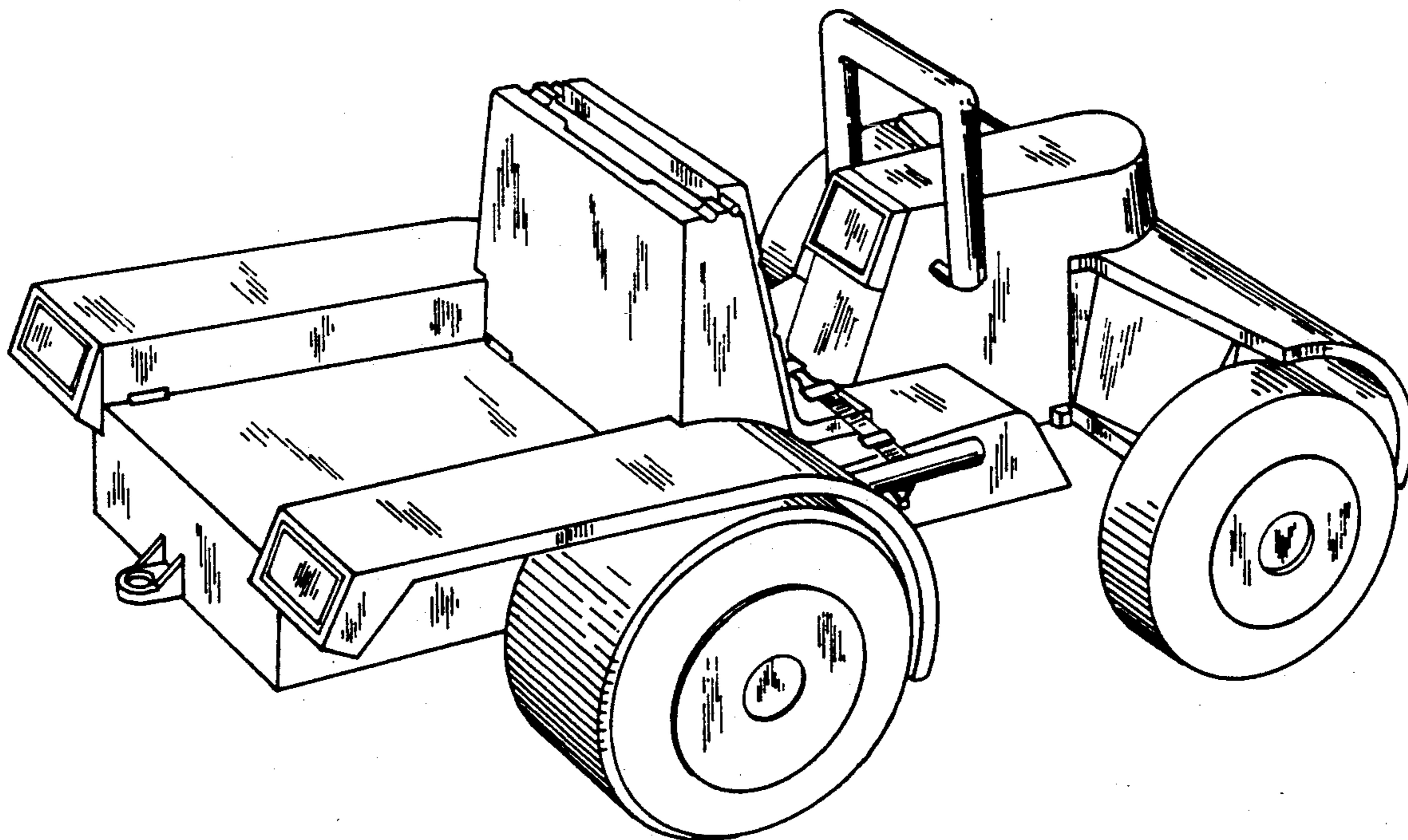
DESCRIPTION

FIG. 1 is a perspective view of the riding toy of the present invention;
FIG. 2 is a top plan view of the riding toy;
FIG. 3 is a bottom plan view of the riding toy;
FIG. 4 is a front elevational view of the riding toy;
FIG. 5 is a side elevational view of the riding toy;
FIG. 6 is a side elevational view of the other side of the riding toy; and,
FIG. 7 is a rear elevational view of the riding toy.

[56] References Cited

U.S. PATENT DOCUMENTS

D. 67,617 6/1925 Salom D21/78
D. 220,509 4/1971 Schreckengost D21/78
D. 227,244 6/1973 Keene D12/92



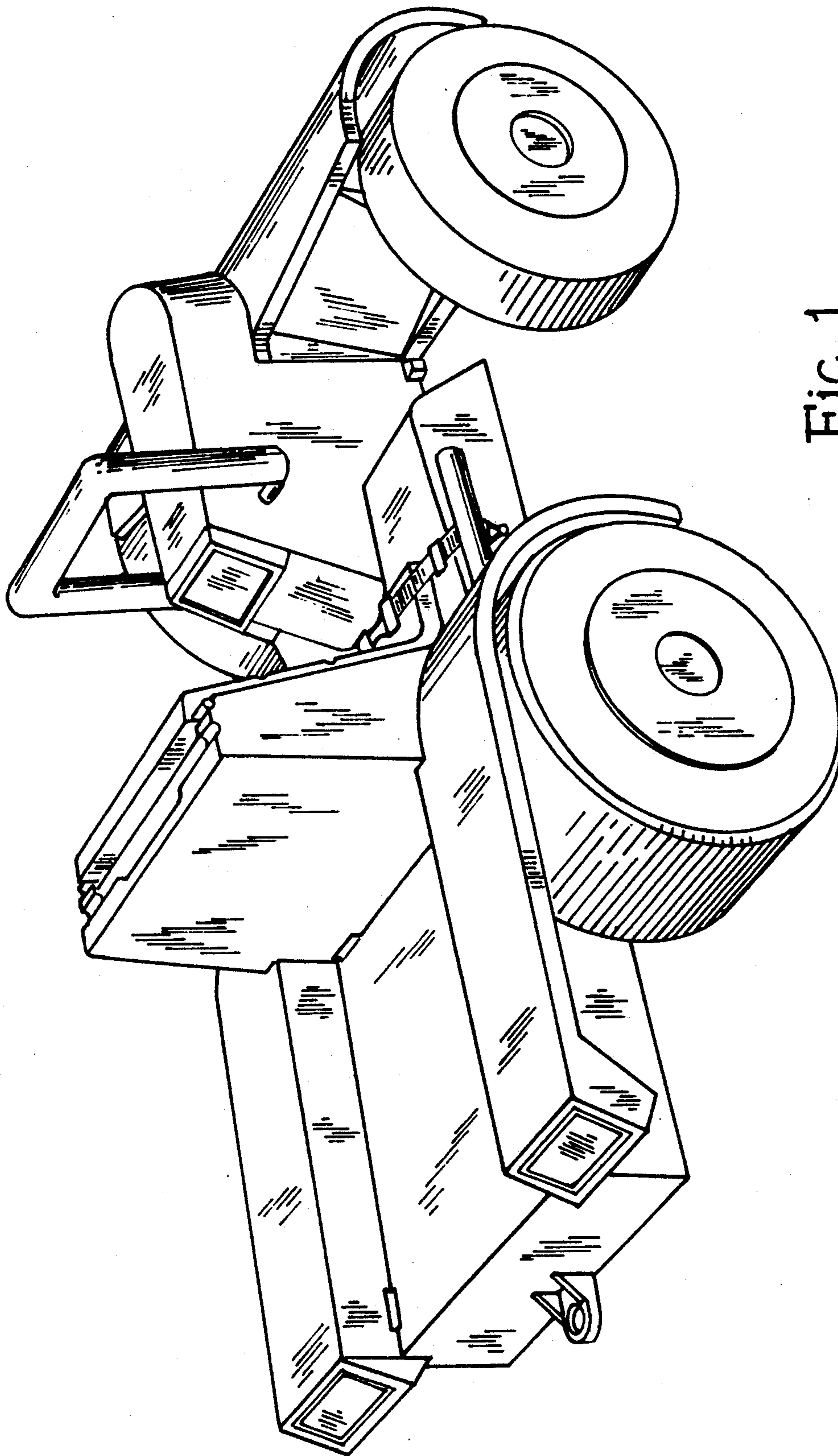


Fig. 1

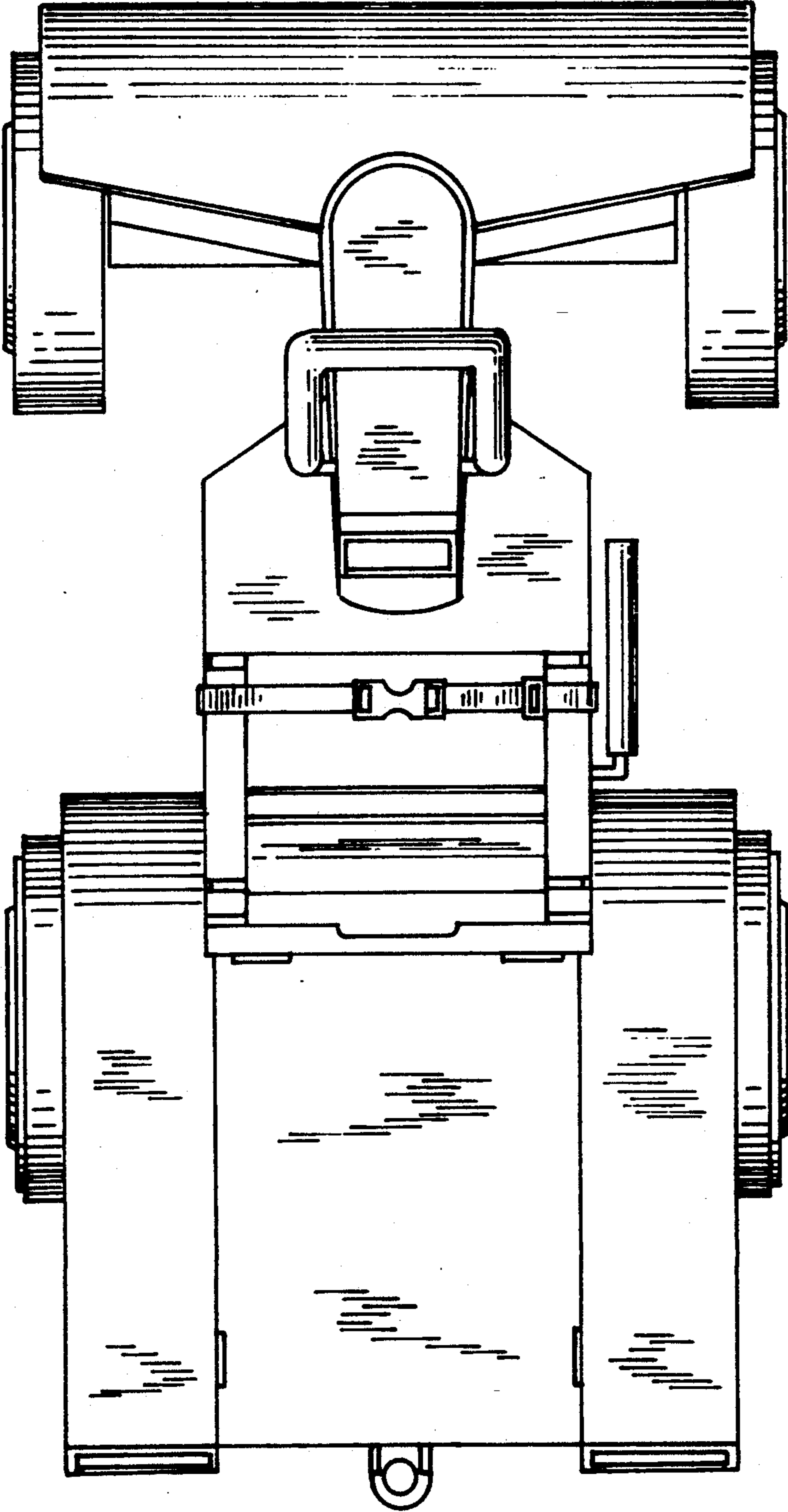


Fig. 2

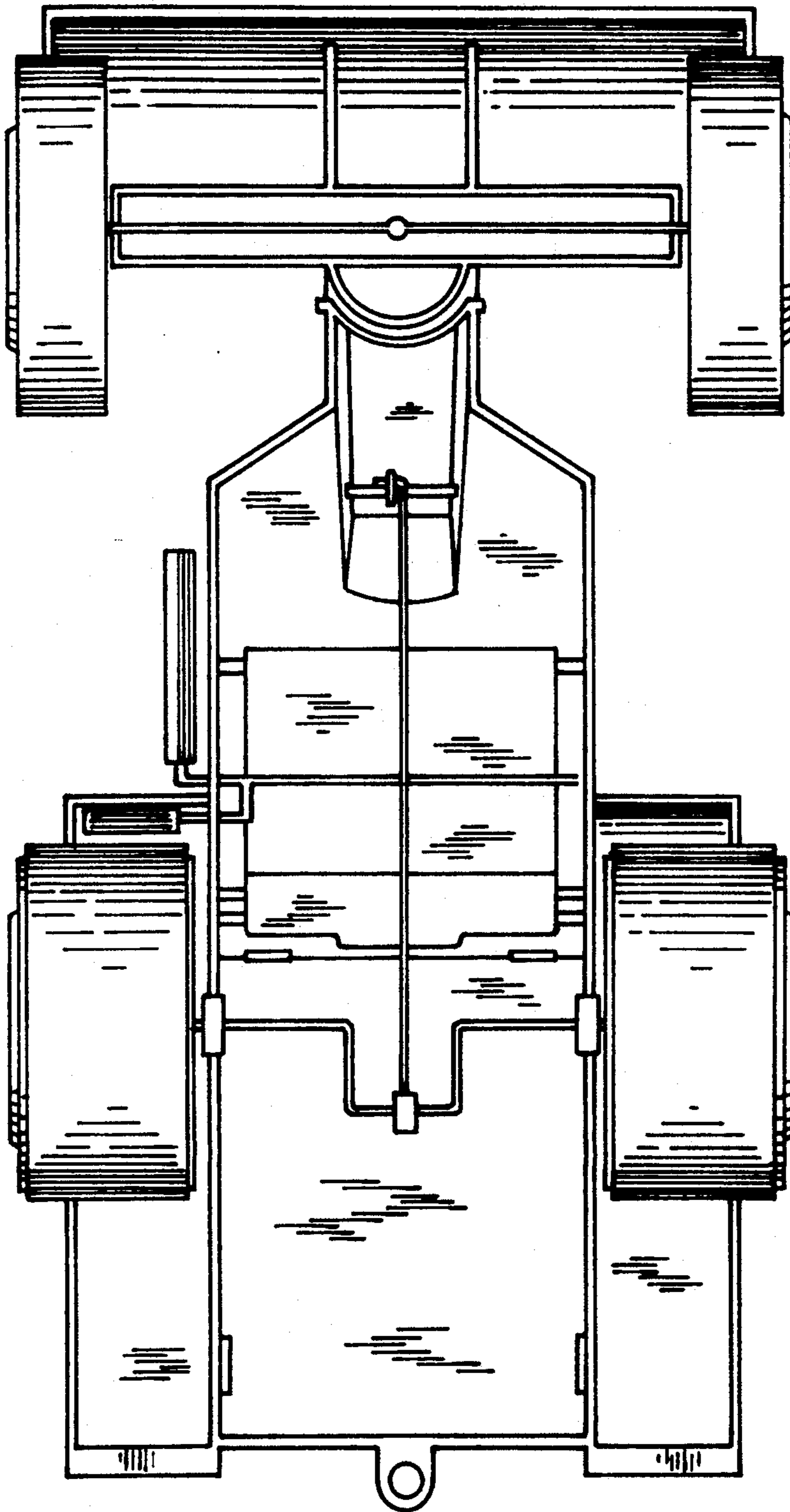


Fig. 3

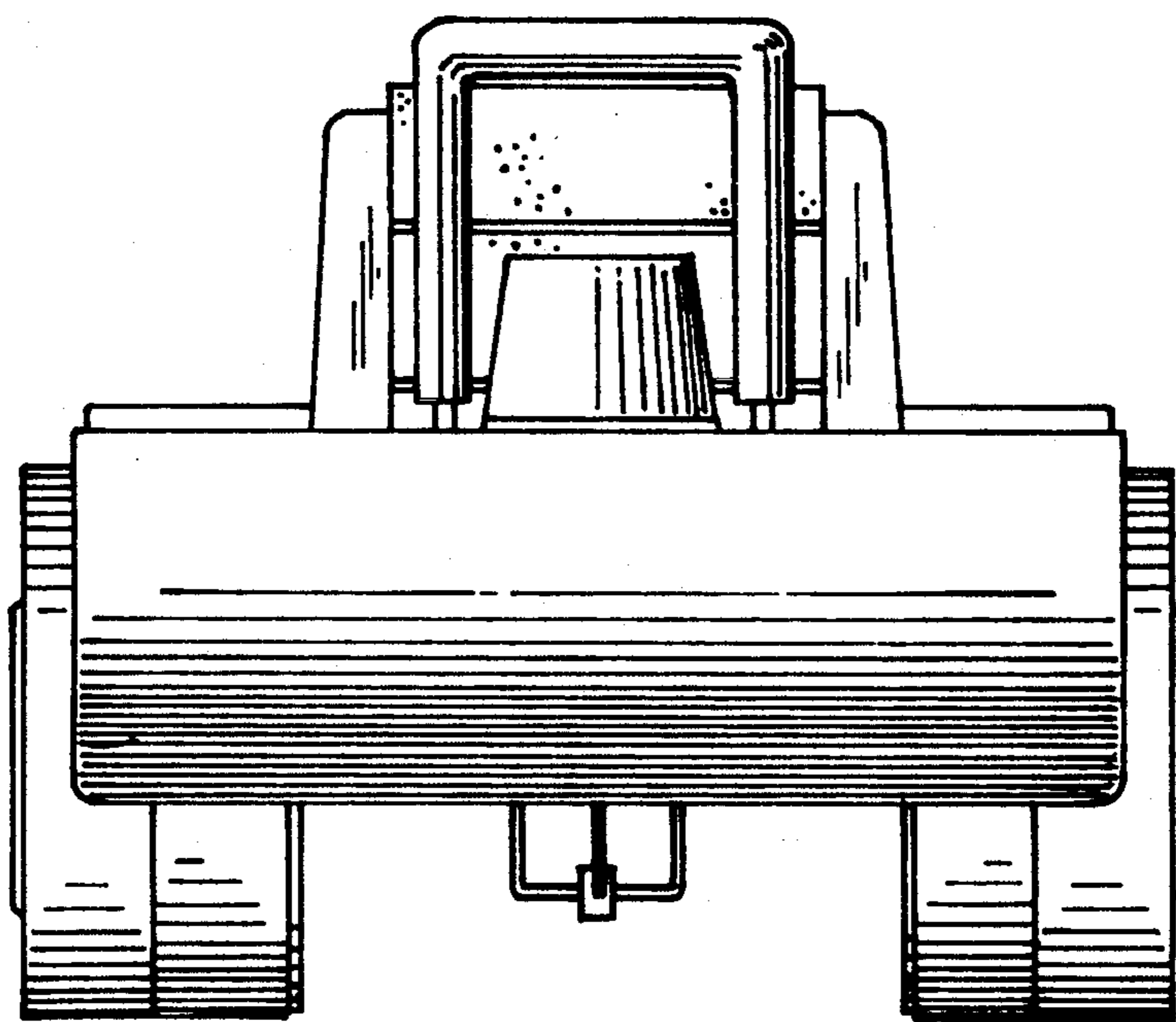


FIG. 4

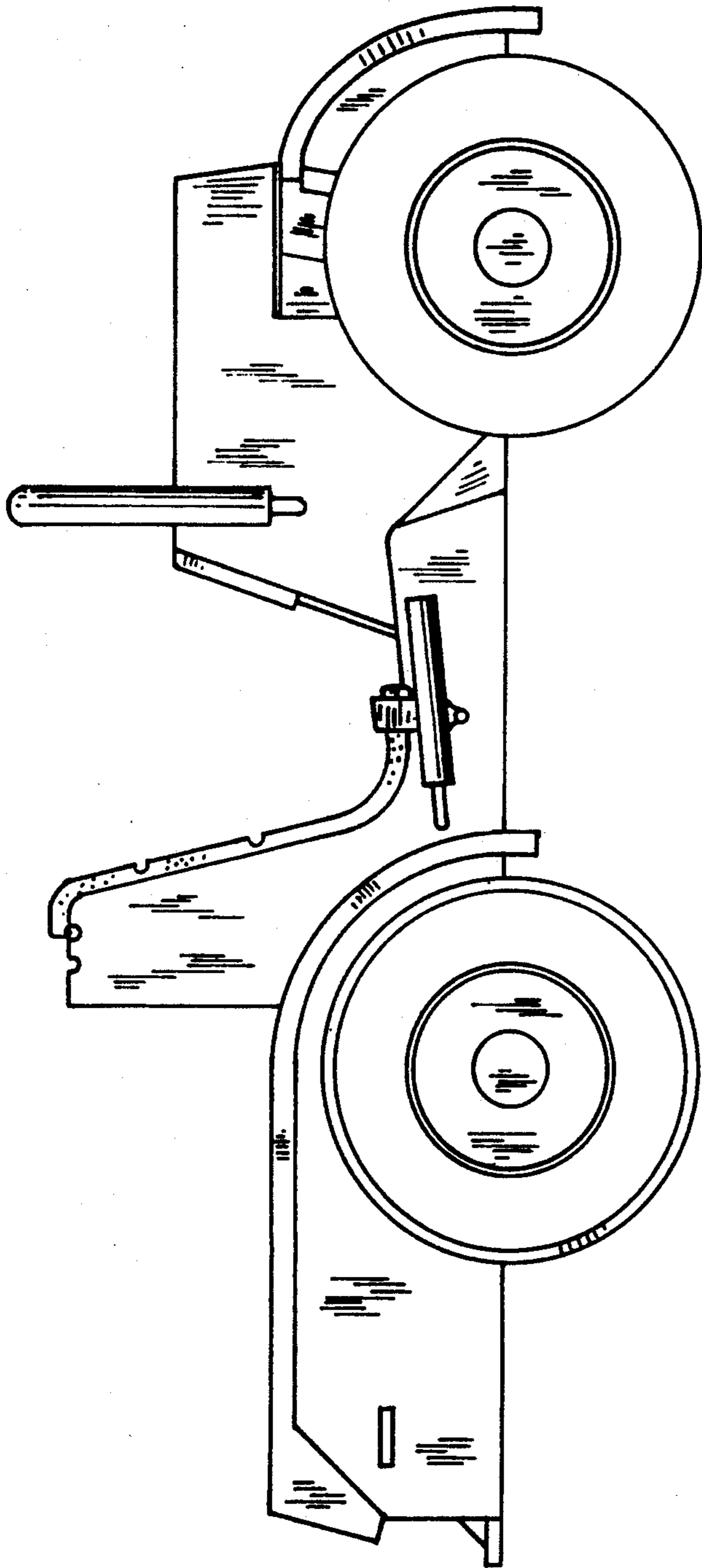


FIG. 5

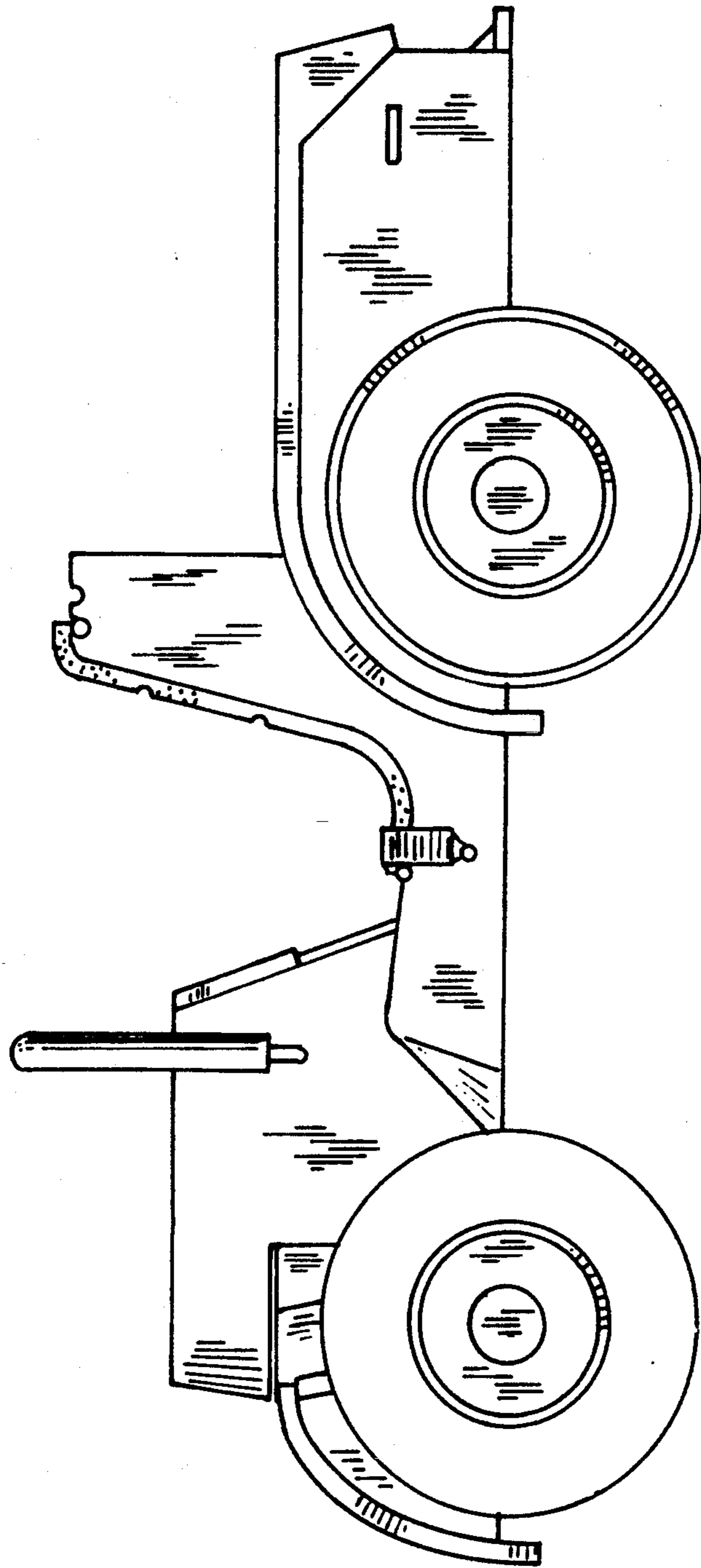


Fig. 6

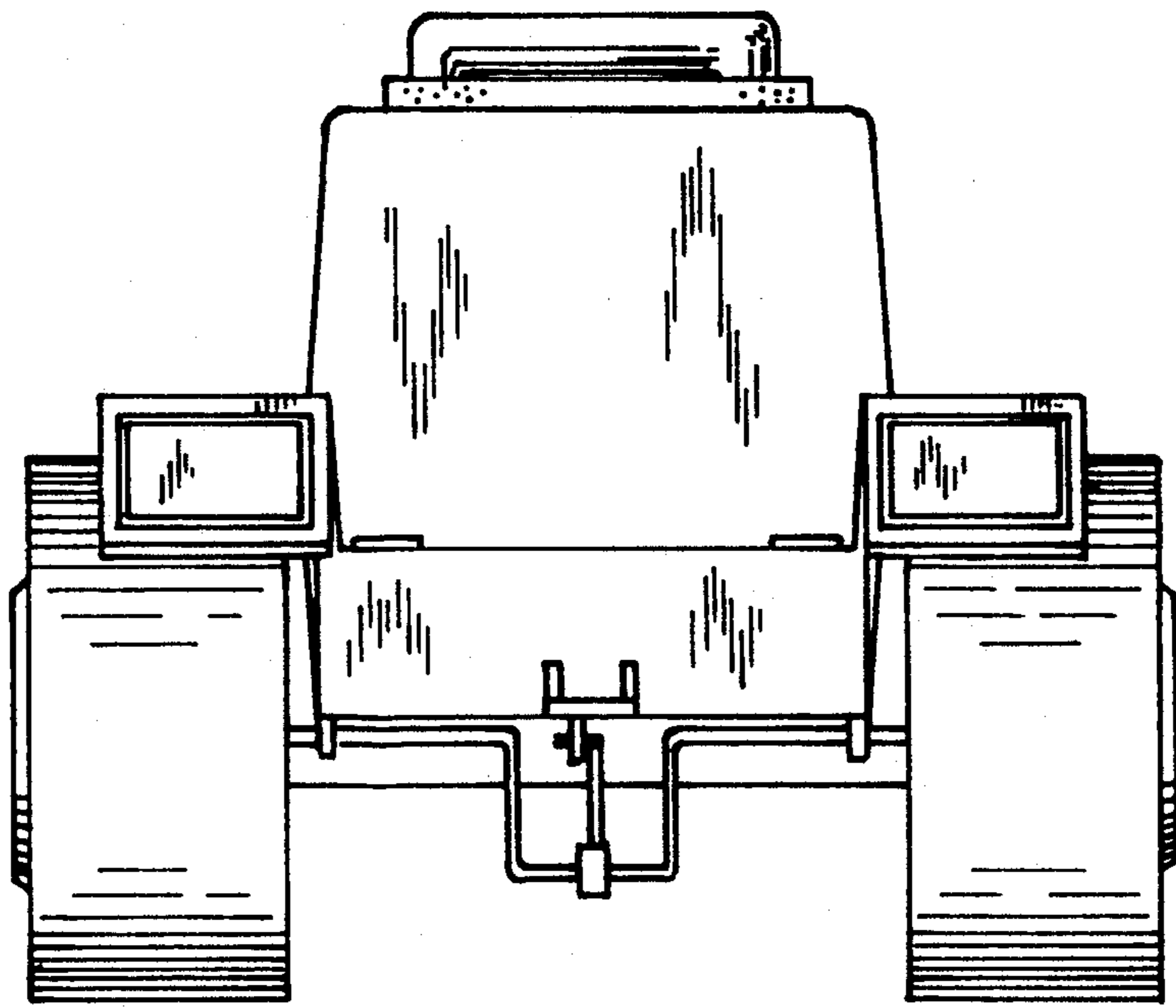


Fig. 7