



US00D338241S

United States Patent [19]

[11] Patent Number: **Des. 338,241**

Landa

[45] Date of Patent: **** Aug. 10, 1993**

[54] **ADVERTISING PRODUCT DISPALY SIGN**

[75] Inventor: **Alfred Landa, Westmont, Ill.**

[73] Assignee: **Wm. Wrigley Jr. Company, Chicago, Ill.**

[**] Term: **14 Years**

[21] Appl. No.: **867,878**

[22] Filed: **Apr. 13, 1992**

[52] U.S. Cl. **D20/43**

[58] Field of Search **D20/10, 39, 40, 41, D20/42, 43, 44; 40/1, 124, 124.2, 124.4, 642, 124.1, 641, 649, 658**

3,711,977 1/1973 Blankenhorn 40/124.1
 4,161,074 7/1979 De Pinna 40/124.1
 4,179,138 12/1979 Bogdanovic .
 4,657,612 4/1987 Schoenleber et al. .
 4,798,014 1/1989 Stoerzinger et al. 40/124.1
 4,821,437 4/1989 Abramson et al. .

Primary Examiner—Wallace R. Burke
Assistant Examiner—Marcus Jackson
Attorney, Agent, or Firm—Willian Brinks Olds Hofer Gilson & Lione

[56] **References Cited**
U.S. PATENT DOCUMENTS

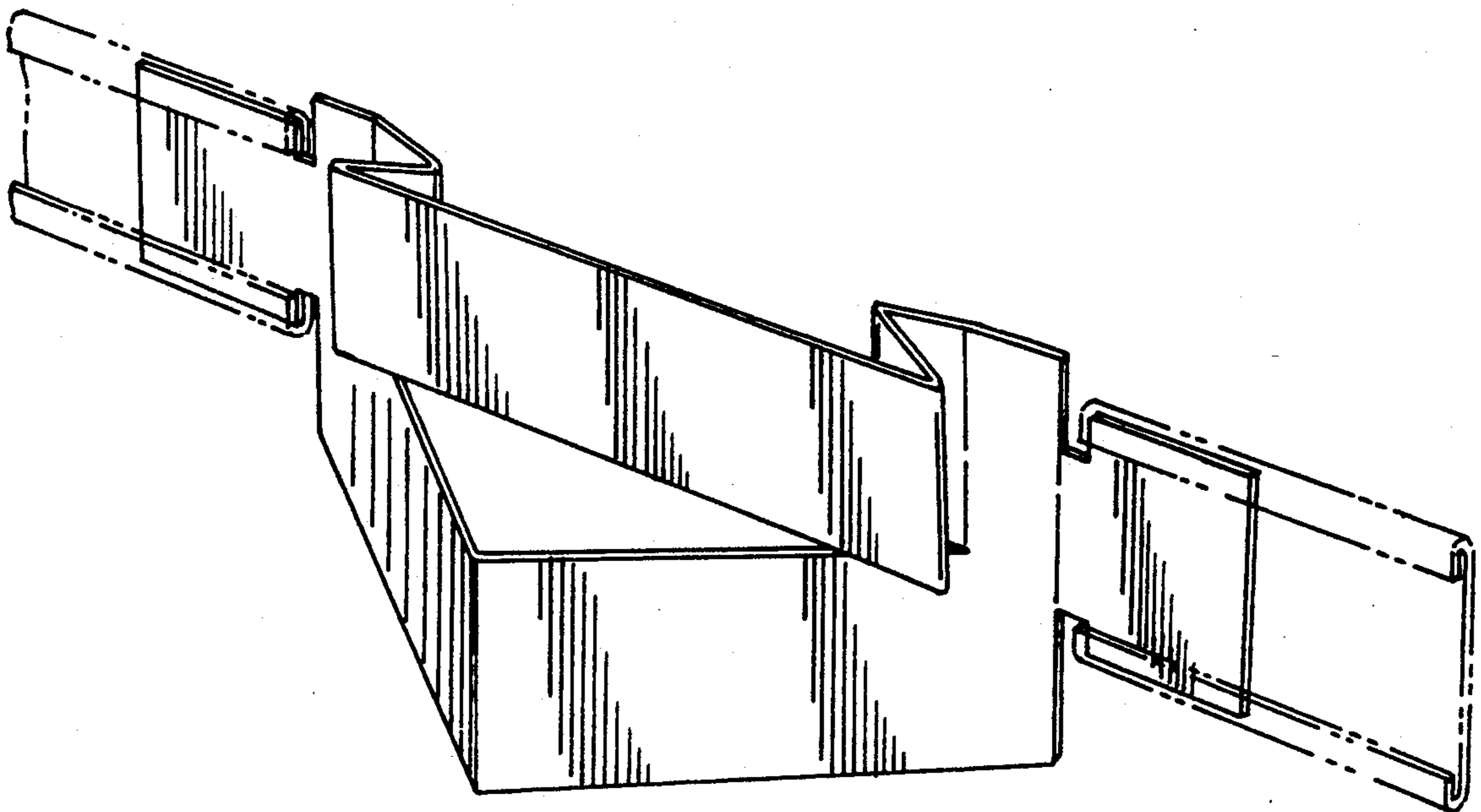
D. 229,452 11/1973 Bentley .
 D. 236,559 9/1975 Taub D20/42
 D. 270,358 8/1983 Errigo .
 1,879,554 9/1932 Simkins .
 2,871,598 2/1959 Pawelka .
 2,928,197 3/1960 Zuckerman .
 2,984,031 5/1961 Giesecke 40/124.1
 3,181,260 5/1965 Scherotto .

[57] **CLAIM**

The ornamental design for an advertising product display sign, as shown and described.

DESCRIPTION

FIG. 1 is a perspective view of an advertising product display sign showing my new design, with the sign shown in use;
 FIG. 2 is a front plan view;
 FIG. 3 is a top plan view; and,
 FIG. 4 is a front perspective view thereof.
 The broken lines showing in FIGS. 1 and 2 are for illustrative purposes only and form no part of the claimed design.



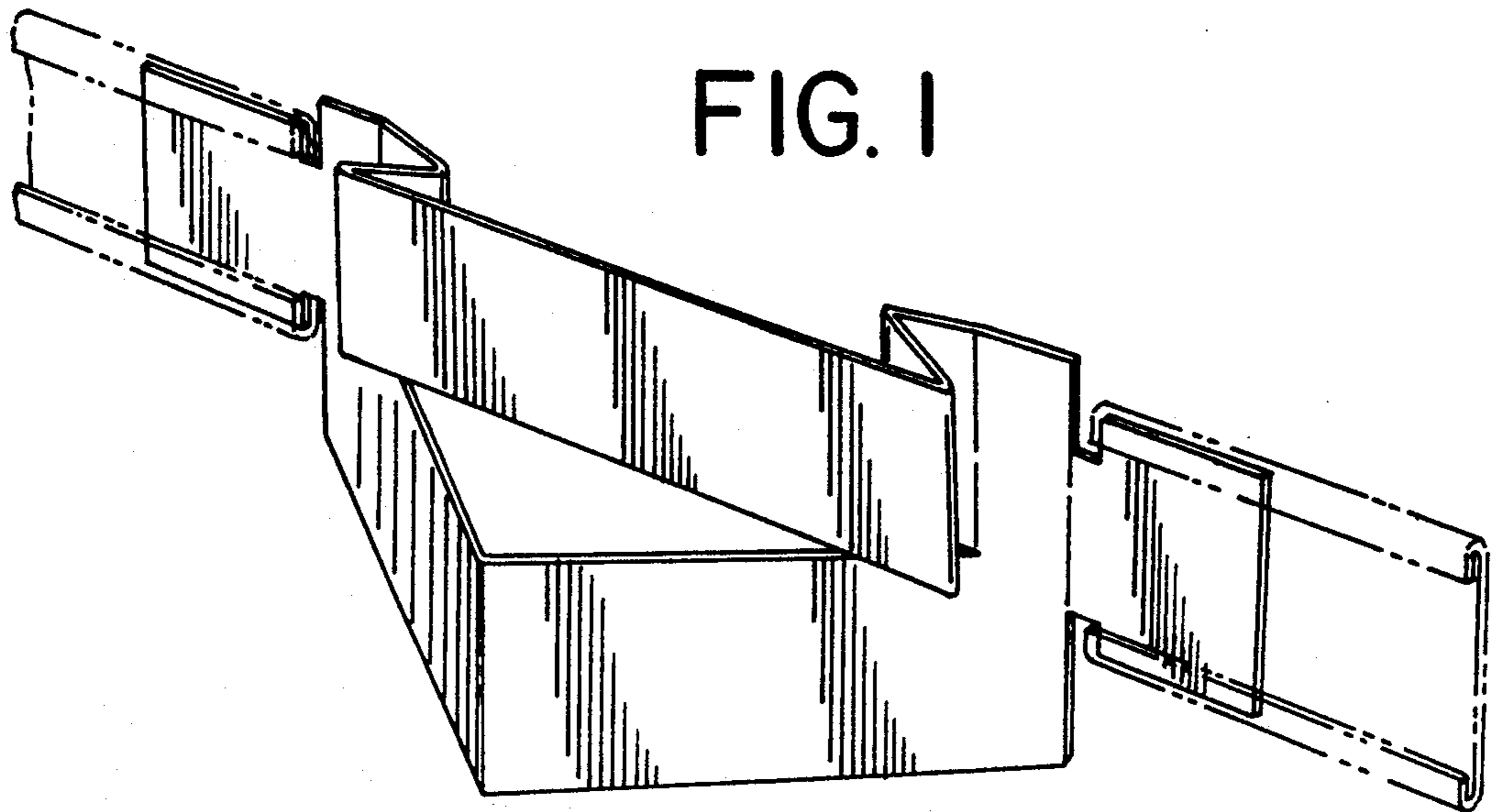


FIG. 2

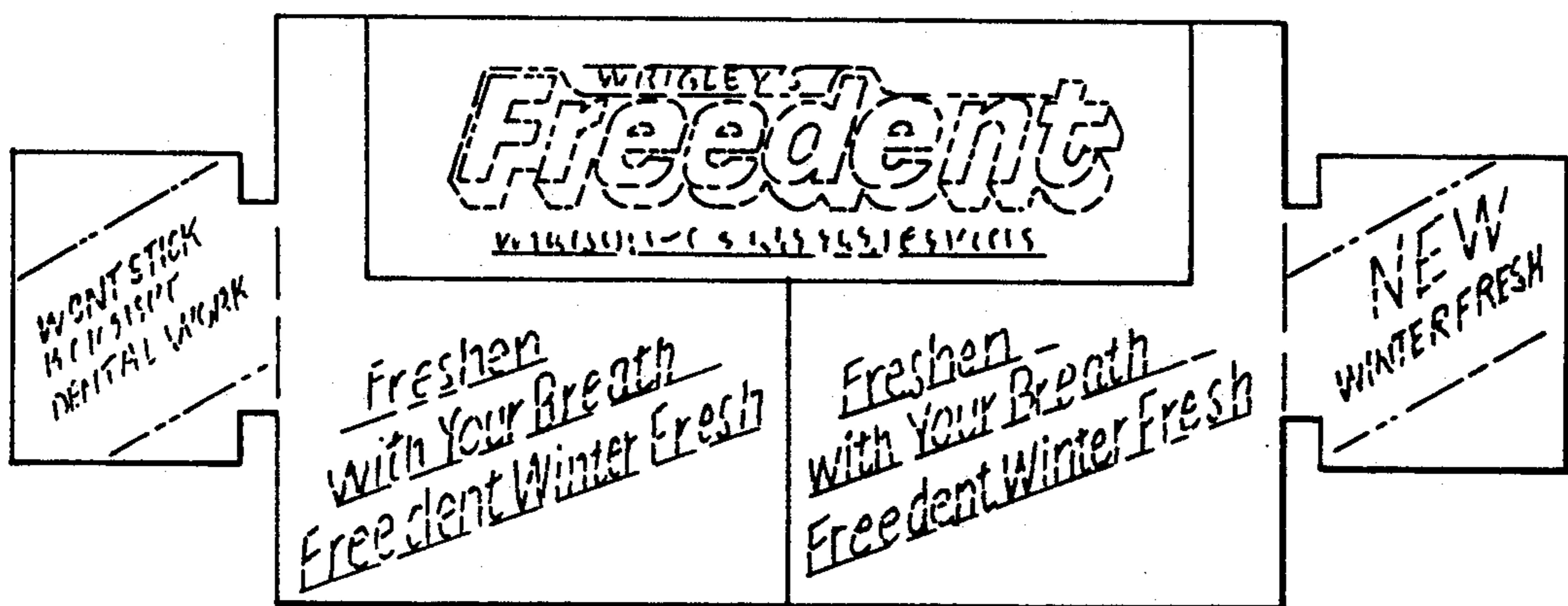


FIG. 3

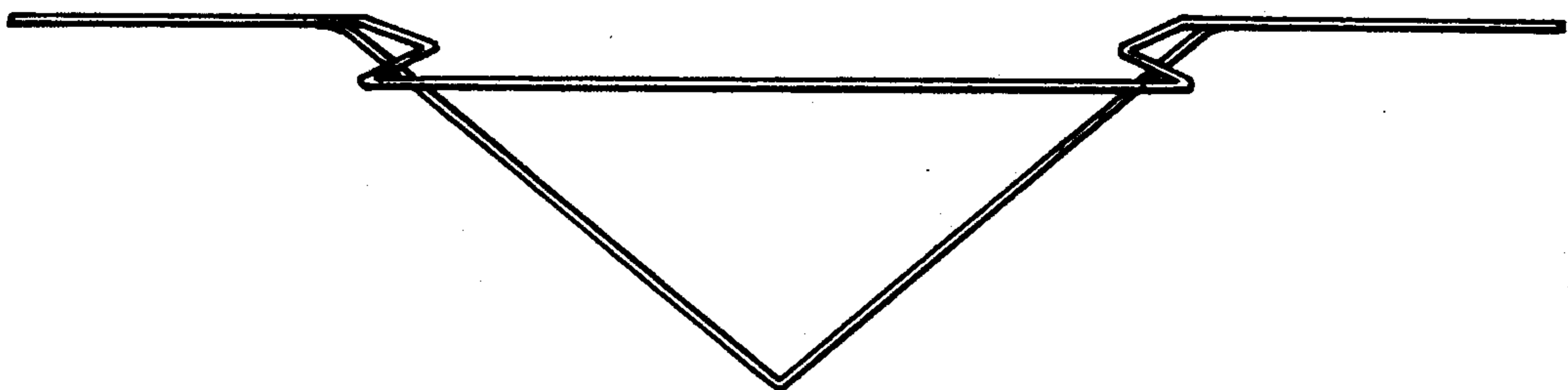
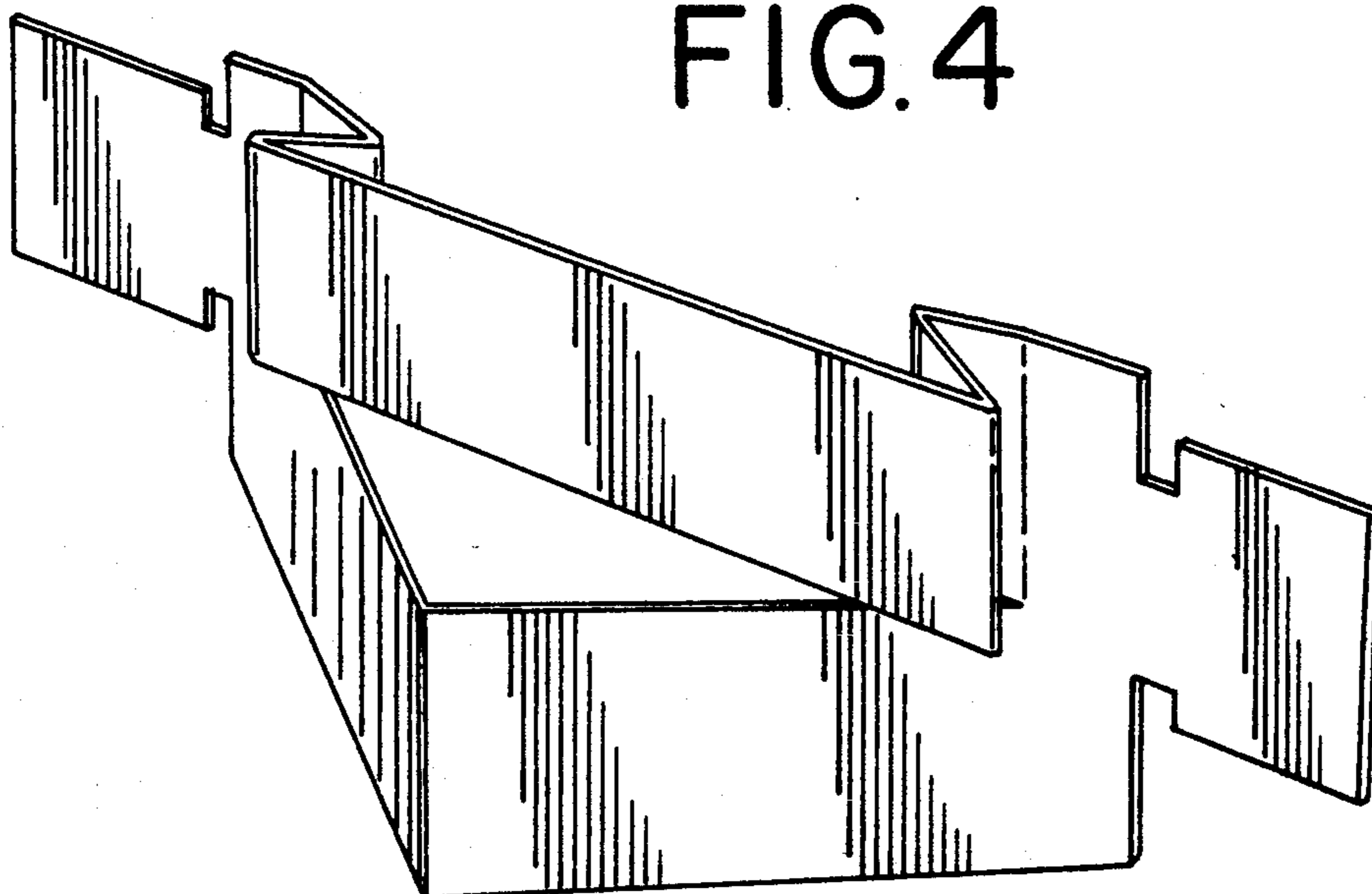


FIG. 4



UNITED STATES PATENT AND TRADEMARK OFFICE
CERTIFICATE OF CORRECTION

PATENT NO. : Des. 338,241
DATED : August 10, 1993
INVENTOR(S) : ALFRED LANDA

It is certified that error appears in the above-identified patent and that said Letters Patent is hereby corrected as shown below:

ON THE TITLE PAGE:

Column 1, in the Title, please delete "DISPALY" and substitute therefor --DISPLAY--.

Column 2, under "DESCRIPTION", in the fifth line, after "and" please delete ",,".

Signed and Sealed this

Twenty-eighth Day of June, 1994

Attest:



BRUCE LEHMAN

Attesting Officer

Commissioner of Patents and Trademarks