



US00D338238S

United States Patent [19]

[11] Patent Number: **Des. 338,238**

Aaldenberg et al.

[45] Date of Patent: **** Aug. 10, 1993**

[54] **PORTABLE FILE BOX**

[75] Inventors: **Eric R. Aaldenberg, Bayside; Andrzej L. Soporowski, Freeport, both of N.Y.**

[73] Assignee: **Esselte Pendaflex Corporation, Garden City, N.Y.**

[**] Term: **14 Years**

[21] Appl. No.: **816,085**

[22] Filed: **Dec. 30, 1991**

[52] U.S. Cl. **D19/75; D3/30.1; D3/35; D19/86; D19/90**

[58] Field of Search **D3/30.1, 35; D19/65, D19/75, 77, 78, 86, 90, 91, 95, 99, 100; 206/425, 555, 444, 449, 387; 211/10, 11, 13; 312/183, 184; D9/420**

[56] **References Cited**

U.S. PATENT DOCUMENTS

- D. 179,601 1/1957 Husted D3/35 X
- D. 182,967 6/1958 Leopold et al. D3/35

- D. 243,860 3/1977 Simpson, Jr. D3/35 X
- D. 300,583 4/1989 Smith D3/35 X
- D. 302,491 8/1989 Brush, Jr. et al. D3/30.1
- D. 327,705 7/1992 Aaldenberg et al. D19/75
- D. 328,313 7/1992 Evenson et al. D19/75
- 4,848,574 7/1989 Murphy et al. 206/444

Primary Examiner—Nelson C. Holtje
Assistant Examiner—Martha Thompson
Attorney, Agent, or Firm—Pennie & Edmonds

[57] **CLAIM**

The ornamental design for a portable file box, as shown and described.

DESCRIPTION

FIG. 1 is a top, right front perspective view of a portable file box showing our new design; FIG. 2 is a front elevational view thereof; FIG. 3 is a right side elevational view thereof, the left side view being a mirror image thereof; FIG. 4 is a rear elevational view thereof; FIG. 5 is a top plan view thereof; and, FIG. 6 is a bottom plan view thereof.

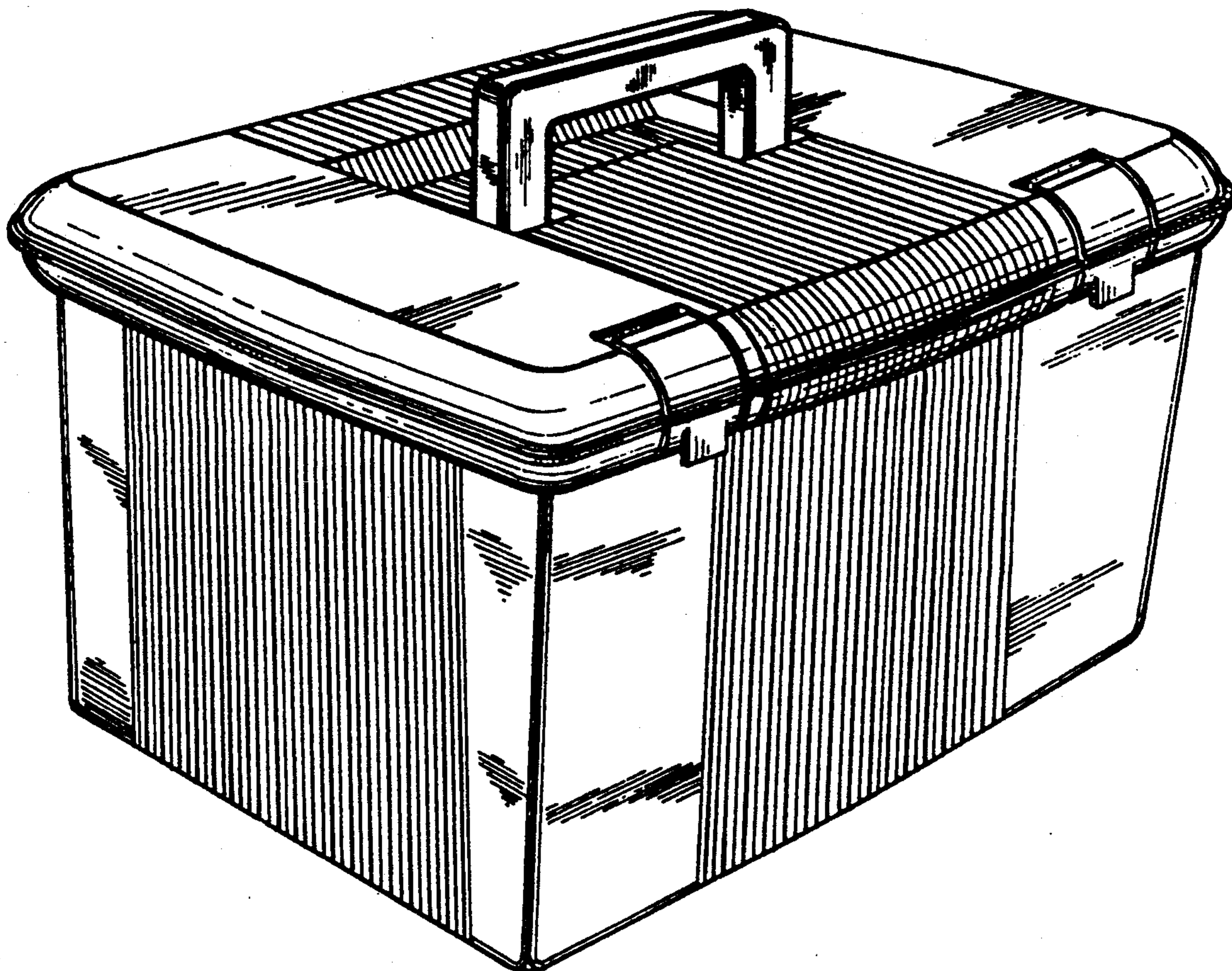


FIG. 1

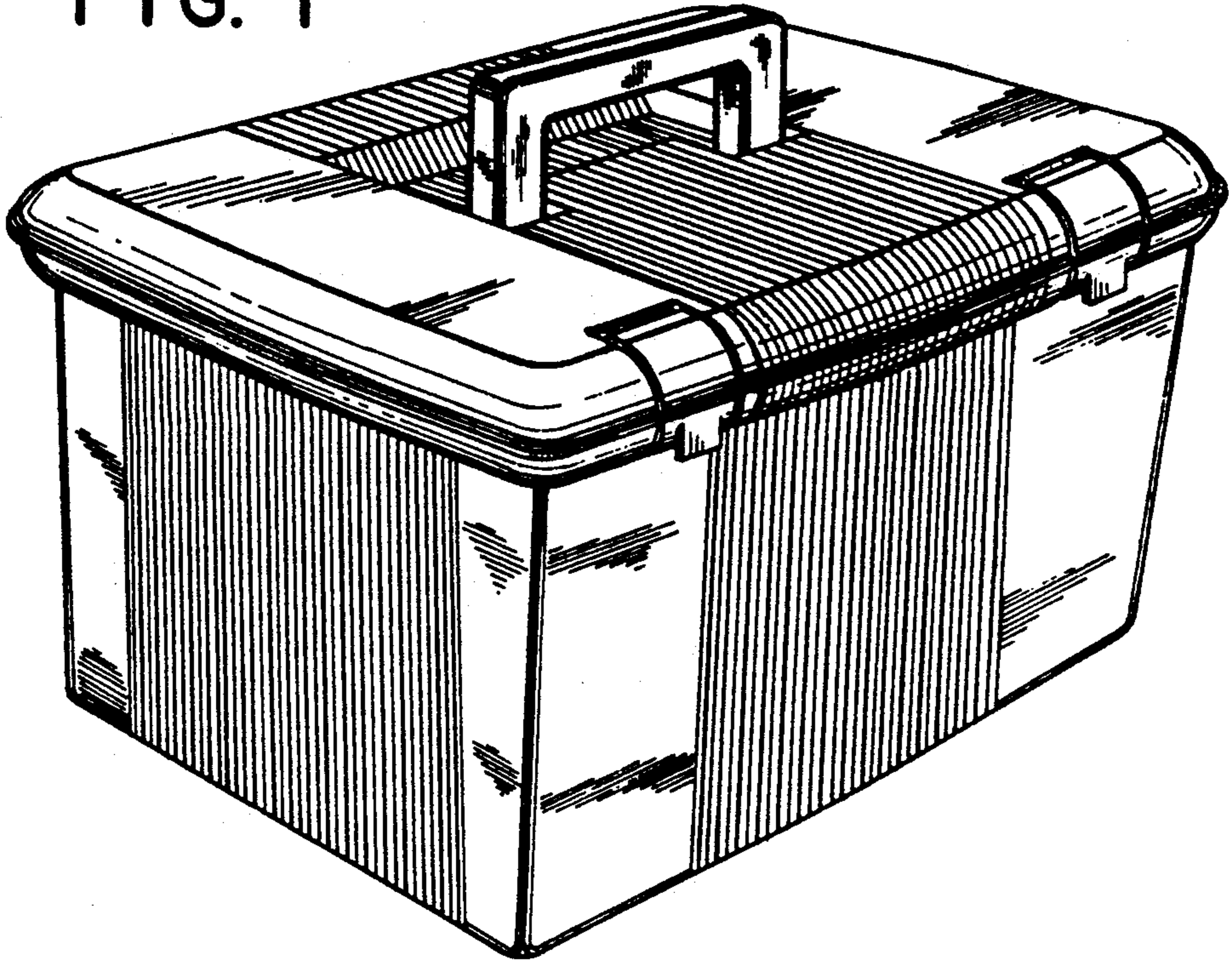


FIG. 2

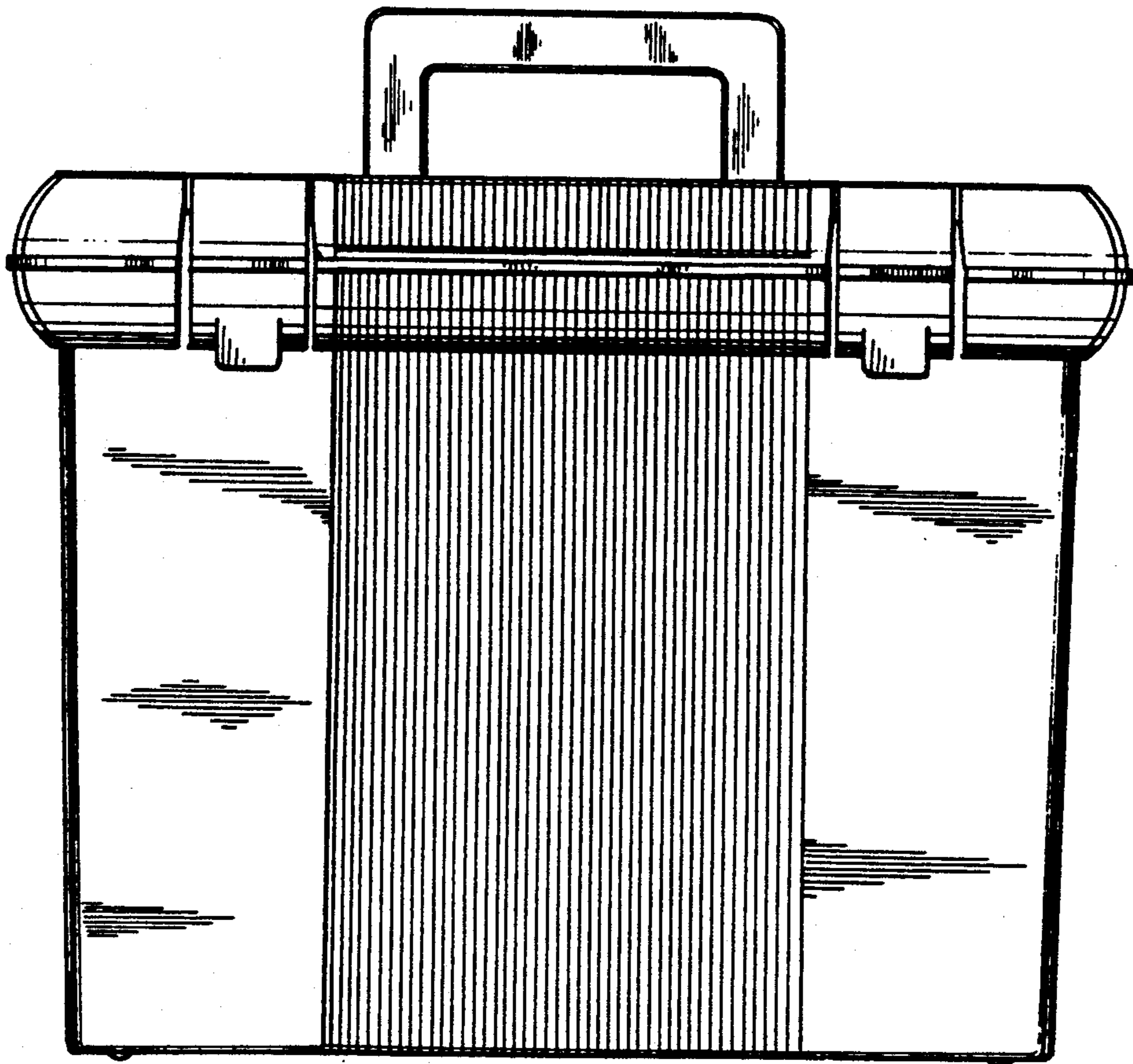


FIG. 3

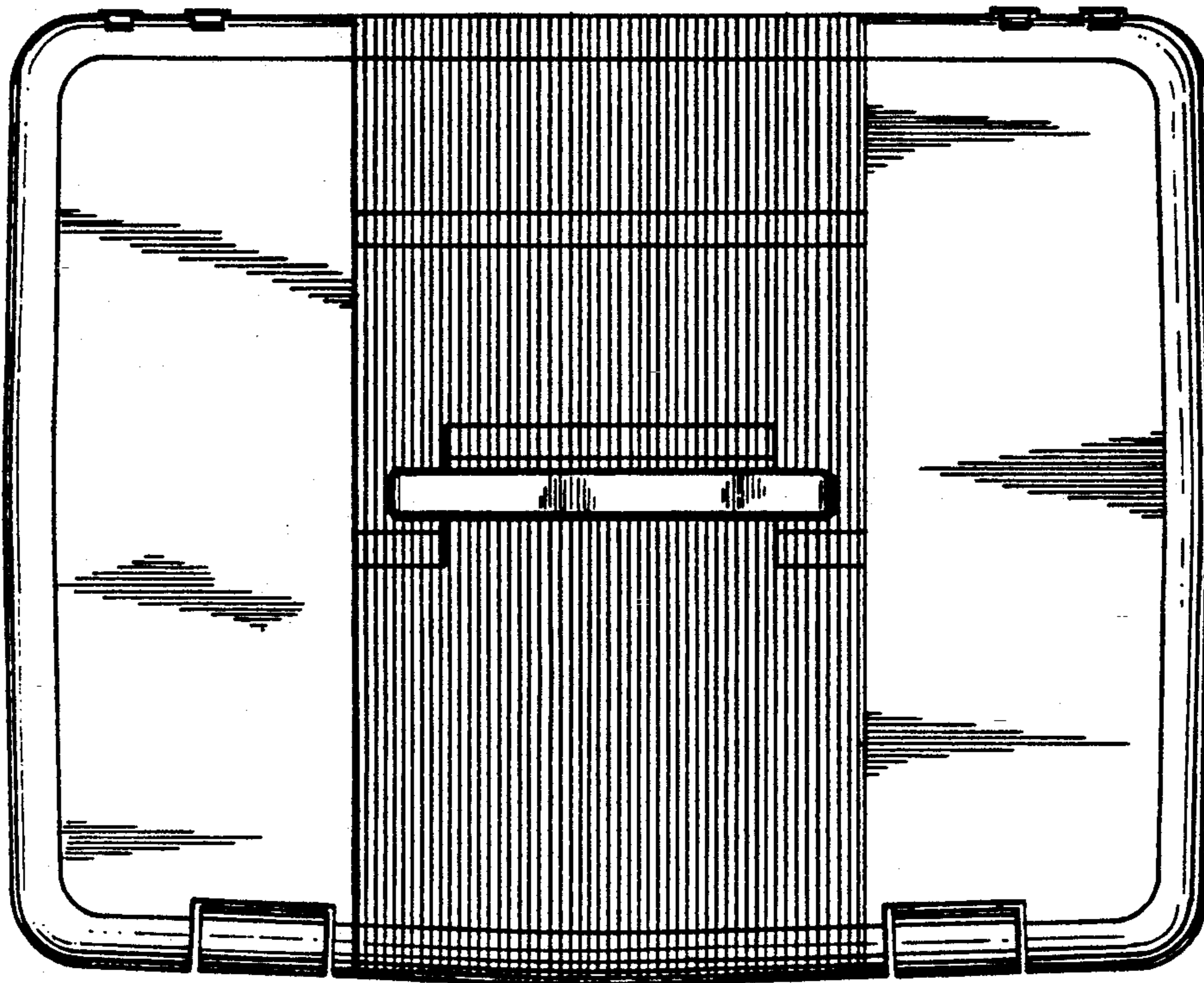


FIG. 4

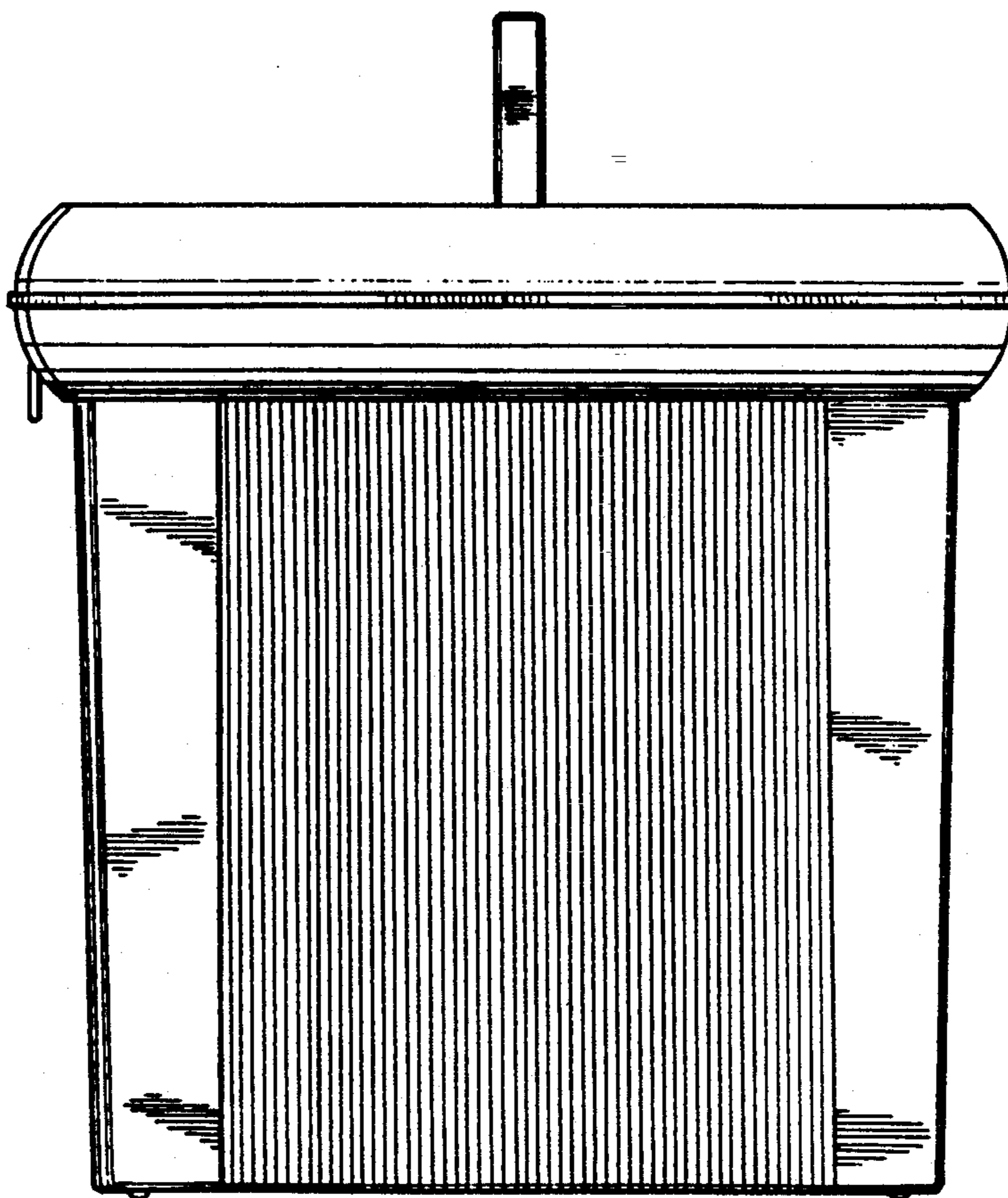


FIG. 5

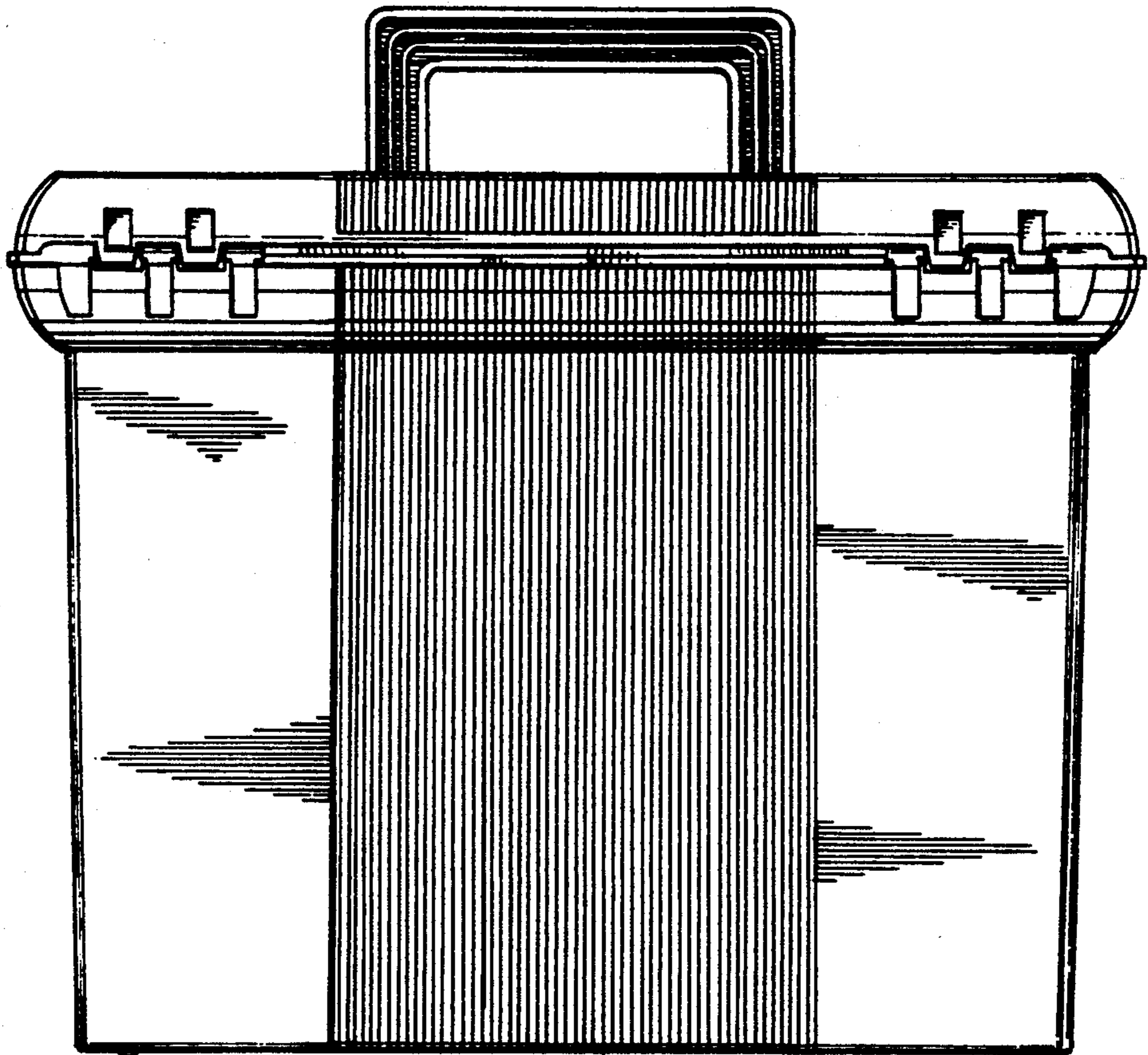


FIG. 6

