



US00D338233S

# United States Patent [19]

[11] Patent Number: **Des. 338,233**

**Boleen et al.**

[45] Date of Patent: **\*\* Aug. 10, 1993**

[54] **COVER FOR A PRINTING PLATE DEVELOPER TANK**

4,958,666 9/1990 Kocourek et al. .... 354/324

[75] Inventors: **Ronald C. Boleen, White Bear Lake; Charles R. Smith, Marine, both of Minn.**

**FOREIGN PATENT DOCUMENTS**

[73] Assignee: **Minnesota Mining and Manufacturing Company, St. Paul, Minn.**

0004326 10/1979 European Pat. Off. .... 354/326  
17205 of 1900 United Kingdom .... 354/331

[\*\*] Term: **14 Years**

*Primary Examiner*—A. Hugo Word  
*Assistant Examiner*—Cathy Anne MacCormac  
*Attorney, Agent, or Firm*—Gary L. Griswold; Walter N. Kirn; Mark A. Litman

[21] Appl. No.: **695,709**

[57] **CLAIM**

[22] Filed: **May 3, 1991**

The ornamental design for a cover for a printing plate developer tank, as shown.

[52] U.S. Cl. .... **D18/56; D16/250**

[58] Field of Search ..... **D18/56; D16/246, 249-250; 101/463.1; 354/319-324, 326, 331, 336**

**DESCRIPTION**

[56] **References Cited**

**U.S. PATENT DOCUMENTS**

D. 146,760	5/1947	Carpenter	.....	D16/249
D. 244,446	5/1977	Maass	.....	D16/249
D. 326,784	6/1992	Beery et al.	.....	D16/250
3,856,395	12/1974	Comstock	.....	354/331
4,645,324	2/1987	Wnukiewicz, Jr.	.....	354/331

FIG. 1 is a top, back side, left and perspective view of a cover for a printing plate developer tank, showing our new design;

FIG. 2 is a top view thereof, being a mirror image thereof;

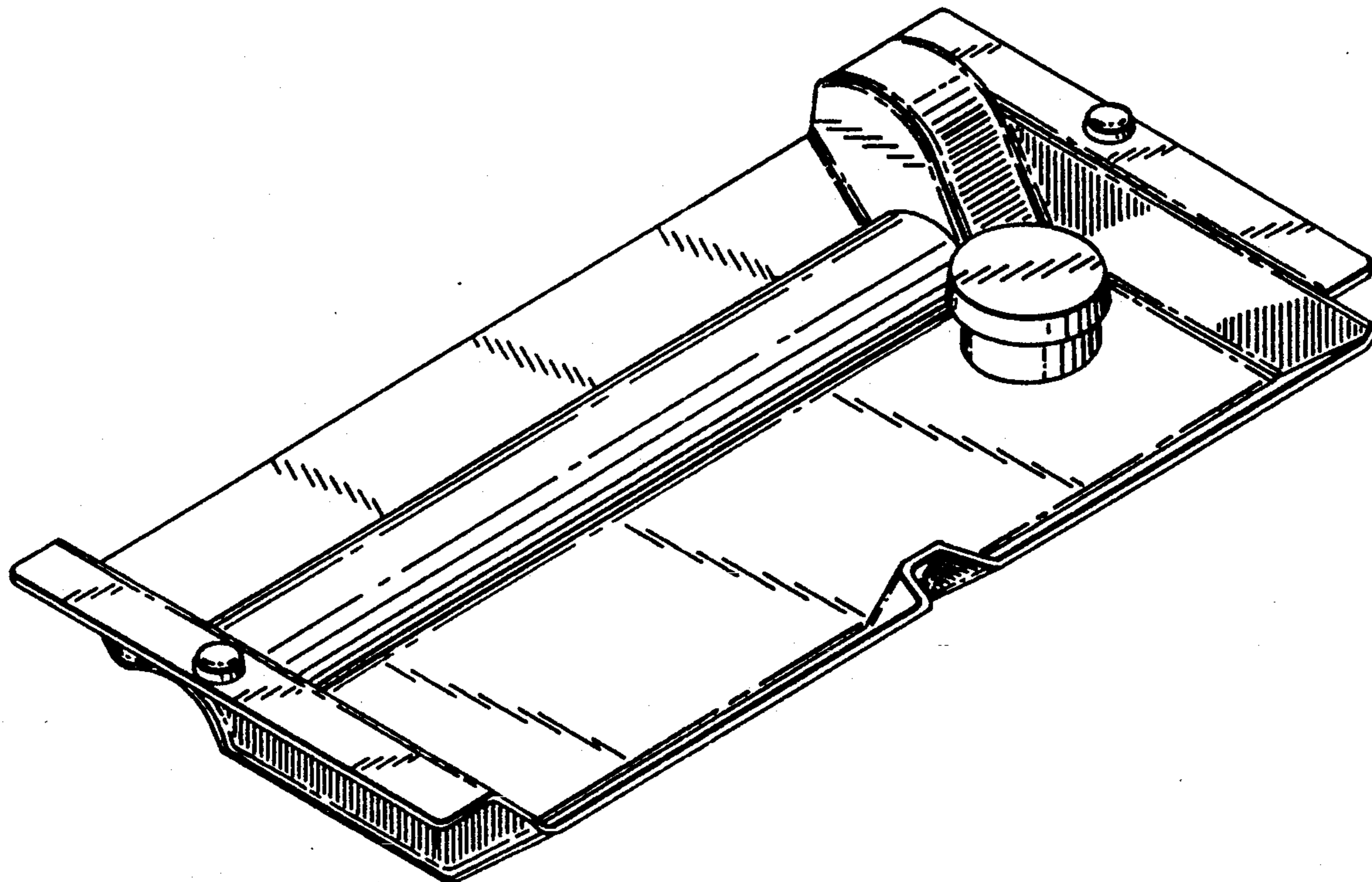
FIG. 3 is a rear view thereof;

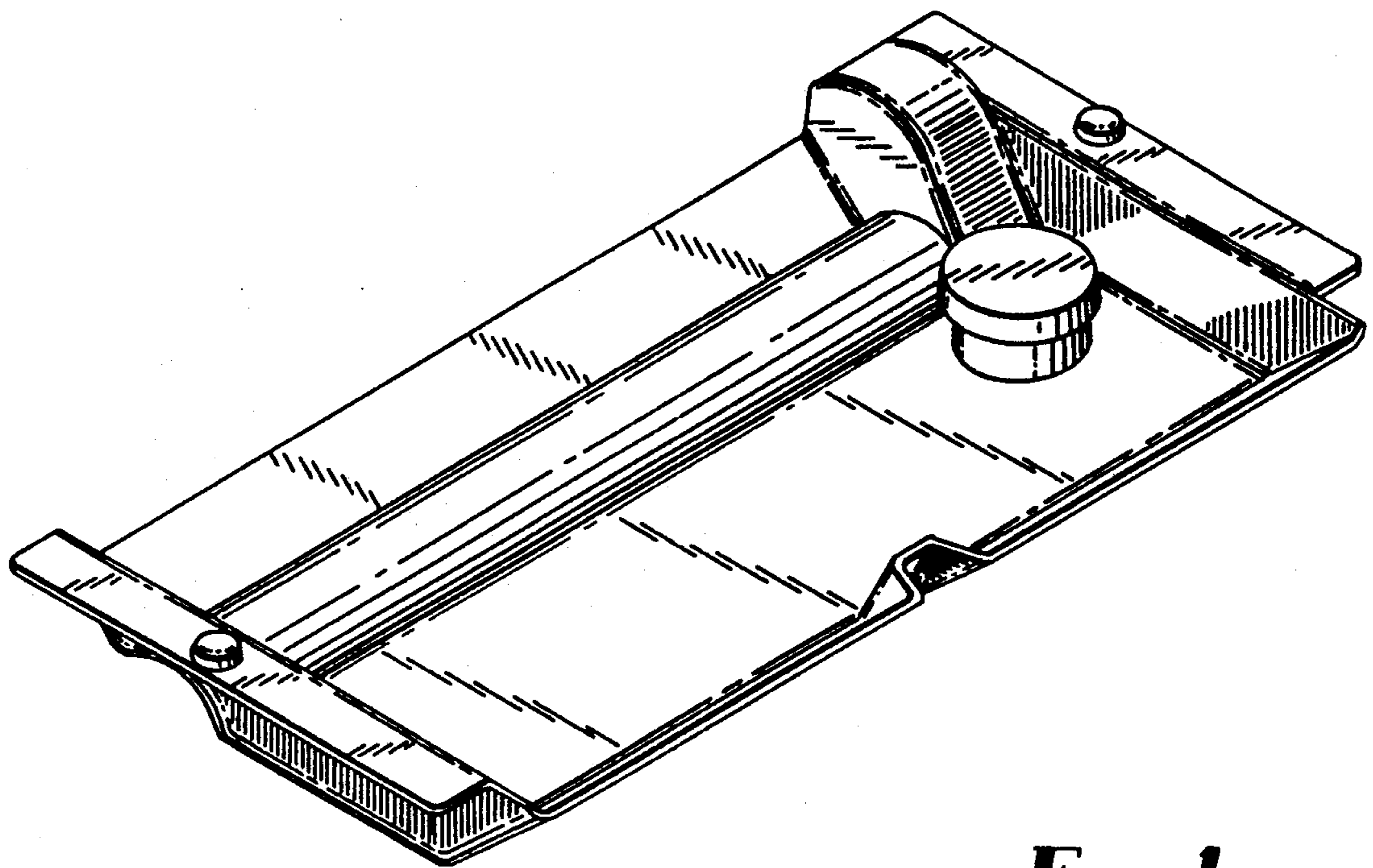
FIG. 4 is a front view thereof;

FIG. 5 is a bottom view thereof;

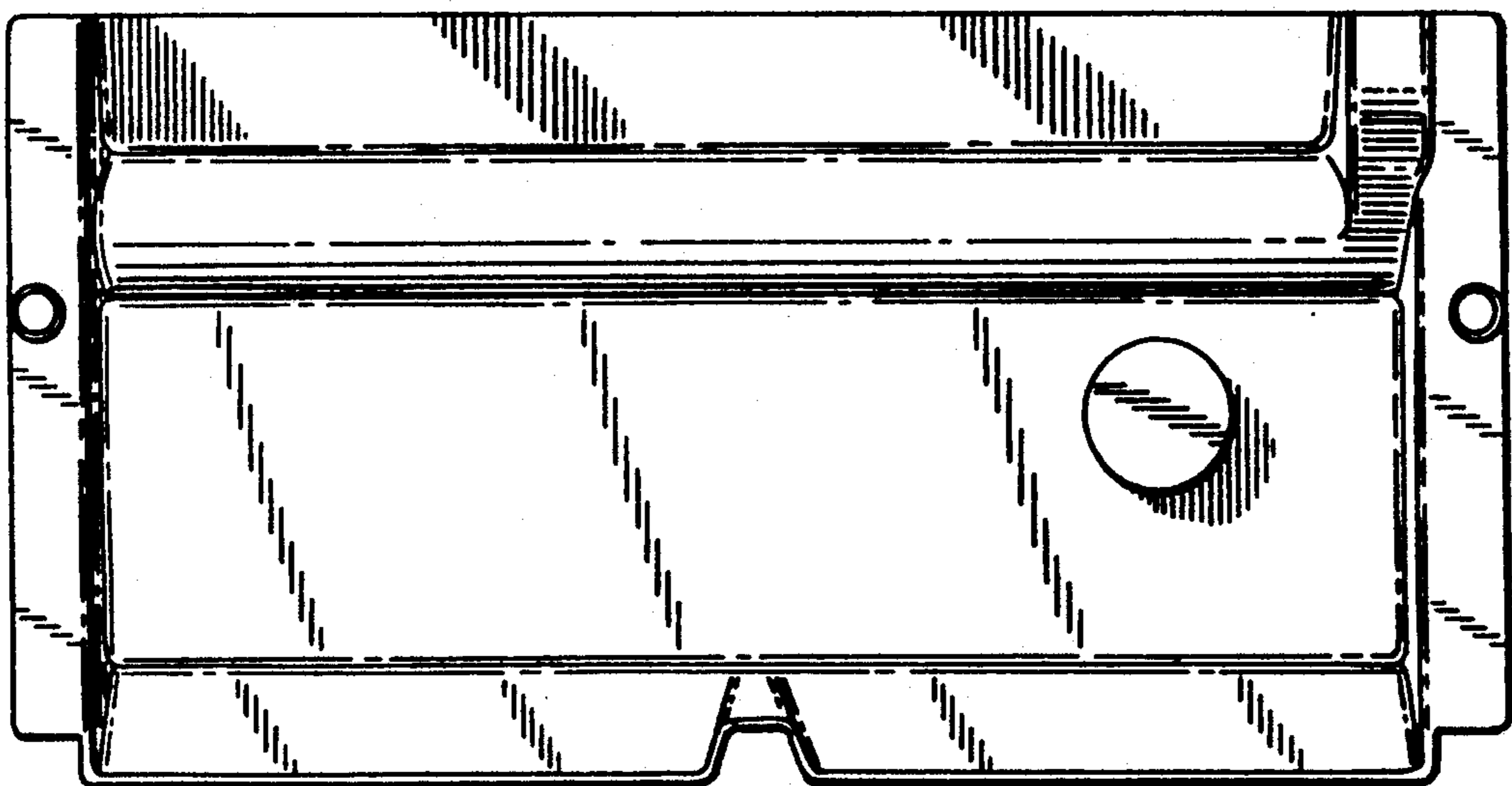
FIG. 6 is a left view thereof; and,

FIG. 7 is a right view thereof.





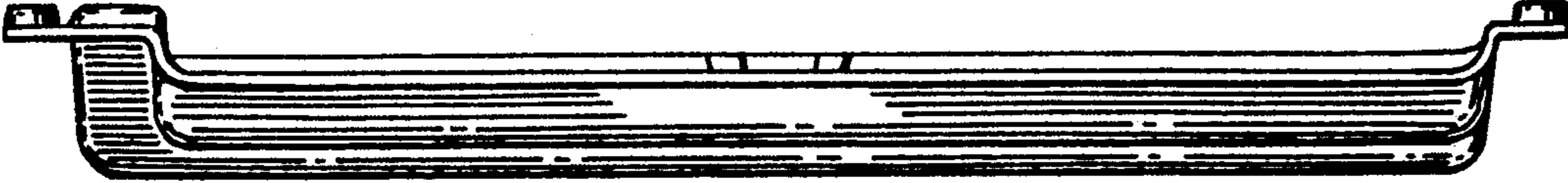
*Fig. 1*



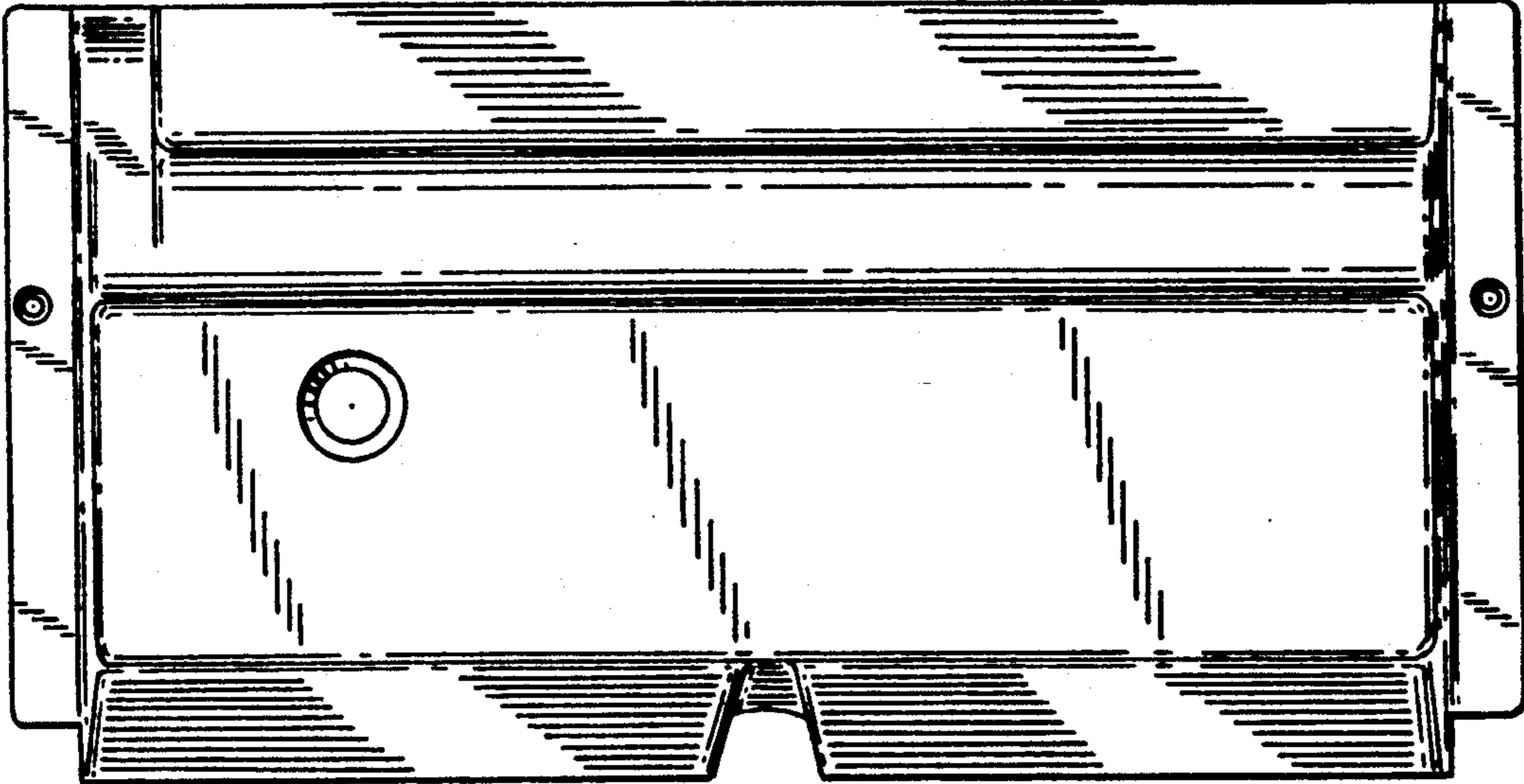
*Fig. 2*



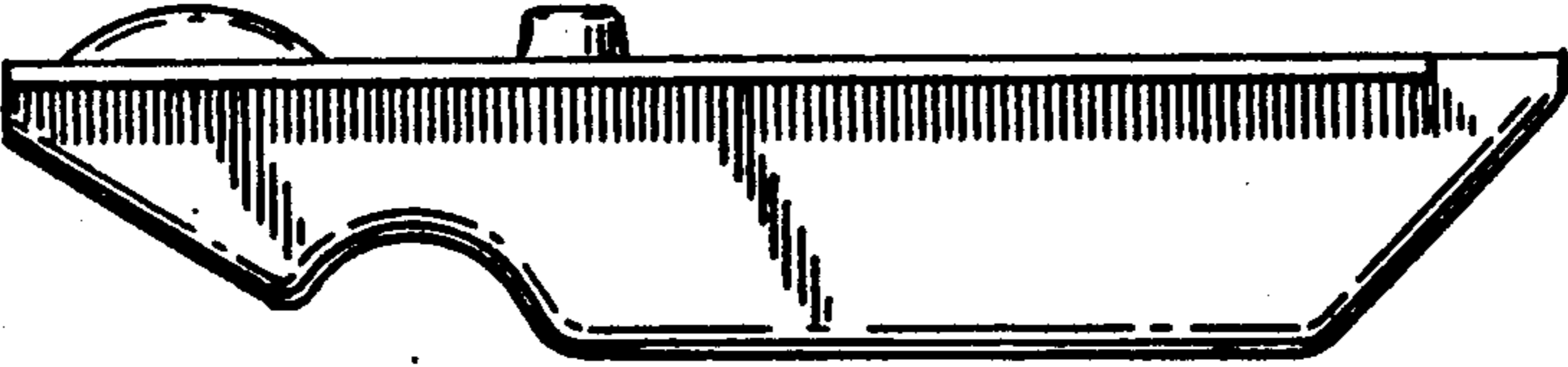
*Fig. 3*



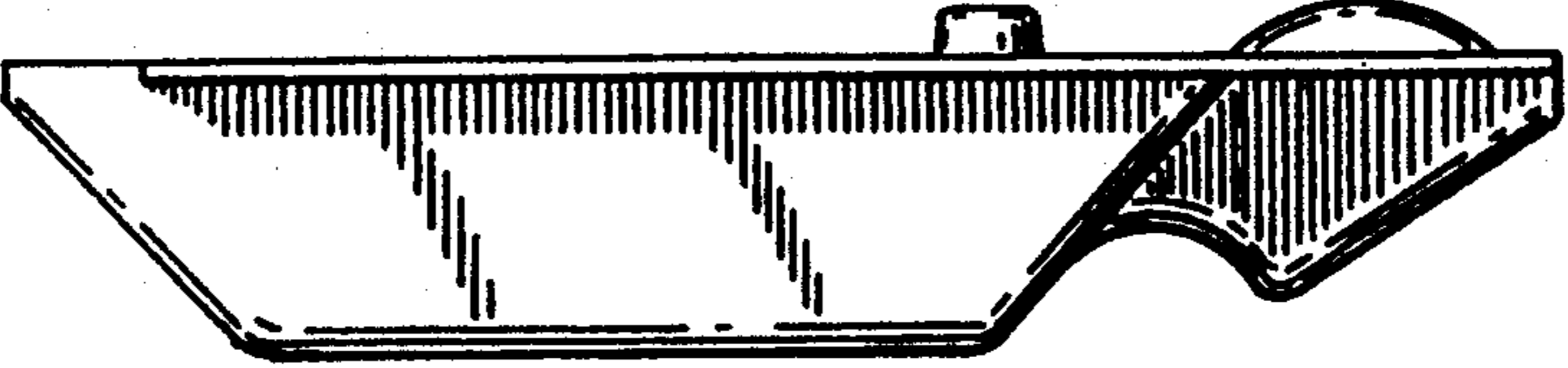
*Fig. 4*



*Fig. 5*



*Fig. 6*



*Fig. 7*