



US00D338230S

# United States Patent [19]

[11] Patent Number: **Des. 338,230**

**Pruitt et al.**

[45] Date of Patent: **\*\* Aug. 10, 1993**

[54] **COMPUTER PRINTER**

[75] Inventors: **Mark F. Pruitt, Sunnyvale; Douglas M. Patton, Irvine; Richard K. Jung, Laguna Niguel; Dennis L. Grudt, Long Beach, all of Calif.**

[73] Assignee: **Apple Computer, Inc., Cupertino, Calif.**

[\*\*] Term: **14 Years**

[21] Appl. No.: **738**

[22] Filed: **Oct. 23, 1992**

D. 286,639	11/1986	Strand .....	D18/55
D. 293,445	12/1987	Pensavecchia .....	D18/55
D. 293,577	1/1988	Gauffin .....	D18/54
D. 318,066	7/1991	Moro .....	D18/54
D. 323,183	1/1992	Irie et al. ....	D18/55
4,634,304	1/1987	Narushima et al. ....	400/691
4,744,681	5/1988	Sheldon .....	D18/55
4,828,416	5/1989	Pensavecchia et al. ....	400/691
5,028,935	7/1991	Warmack et al. ....	D18/55

*Primary Examiner*—A. Hugo Word  
*Assistant Examiner*—Cathy Anne MacCormac  
*Attorney, Agent, or Firm*—Franklyn C. Weiss

[57] **CLAIM**

The ornamental design for a computer printer, as shown and described.

**Related U.S. Application Data**

- [62] Division of Ser. No. 640,172, Jan. 11, 1991.
- [52] U.S. Cl. .... **D18/55; D18/50**
- [58] Field of Search ..... **D18/50, 54-55, D18/36-37, 34; 400/691-693, 613, 613.1-613.4, 120; 101/420**

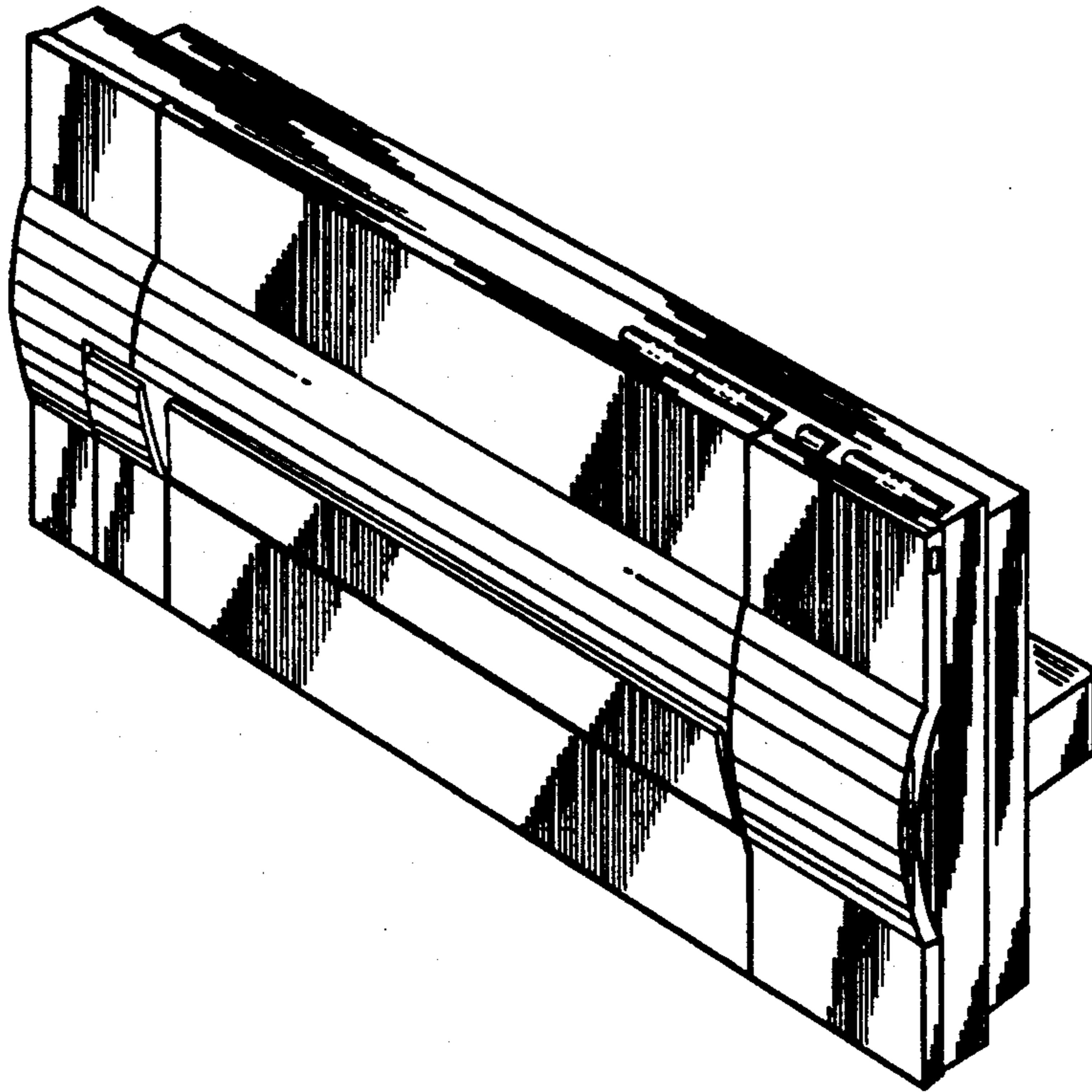
**DESCRIPTION**

FIG. 1 is a top, front, right side perspective view of a computer printer, showing our new design on a slightly reduced scale from FIGS. 2-7;  
FIG. 2 is a front elevational view thereof;  
FIG. 3 is a rear elevational view thereof;  
FIG. 4 is a right elevational view thereof;  
FIG. 5 is a left elevational view thereof;  
FIG. 6 is a top plan view thereof; and,  
FIG. 7 is a bottom view thereof.

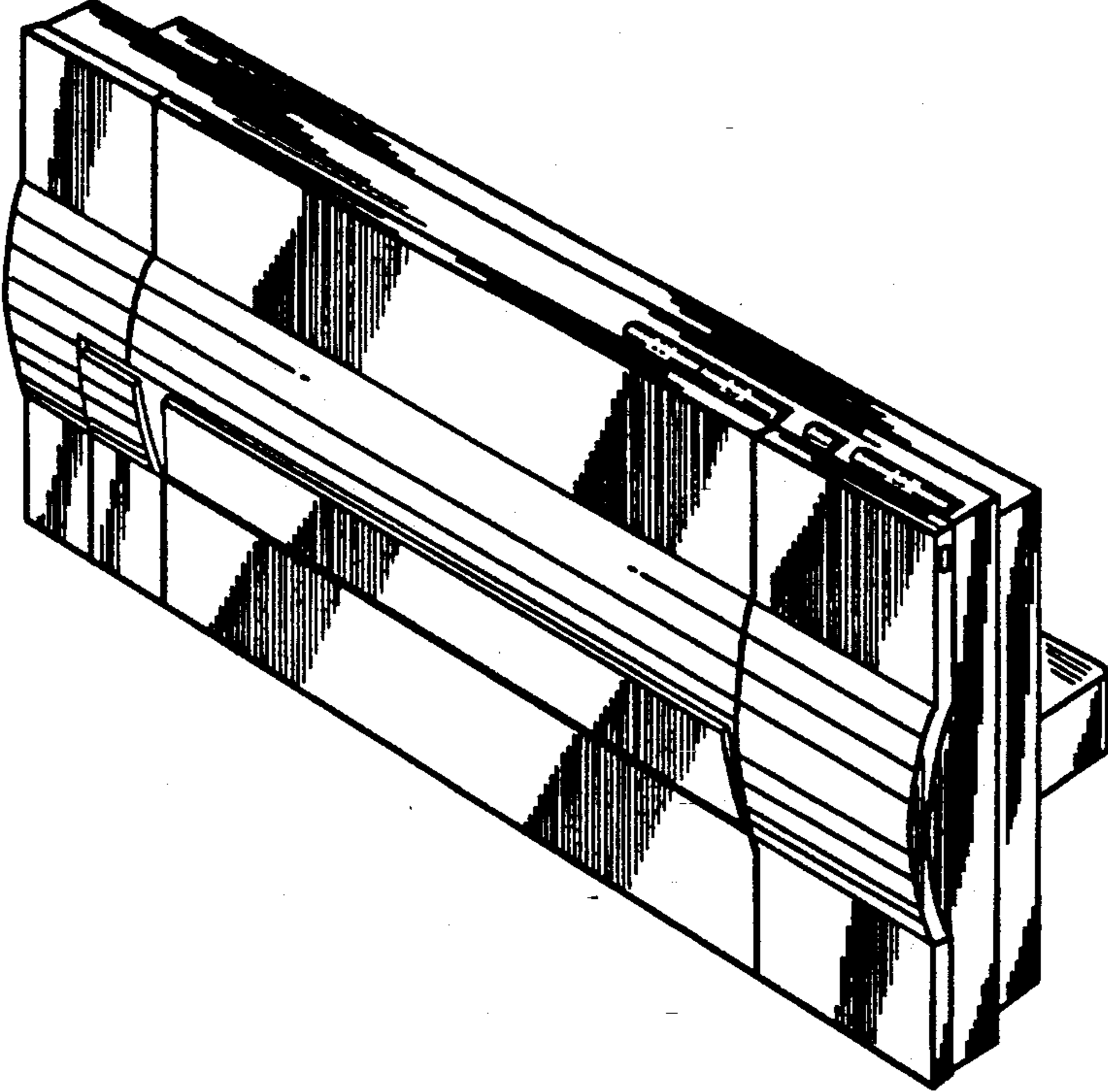
[56] **References Cited**

**U.S. PATENT DOCUMENTS**

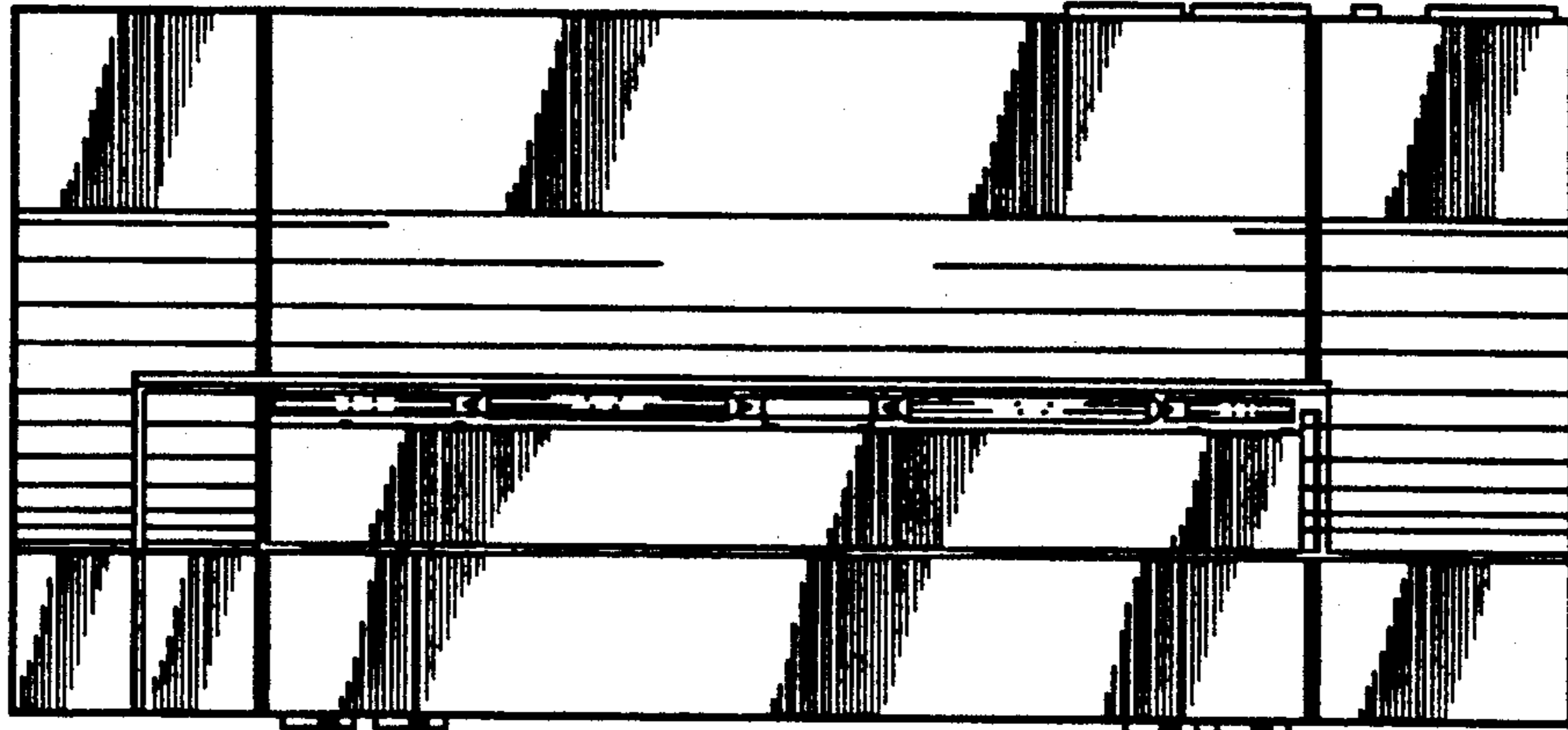
- D. 274,823 7/1984 Leach et al. .... D18/54
- D. 280,211 8/1985 Overman ..... D18/55



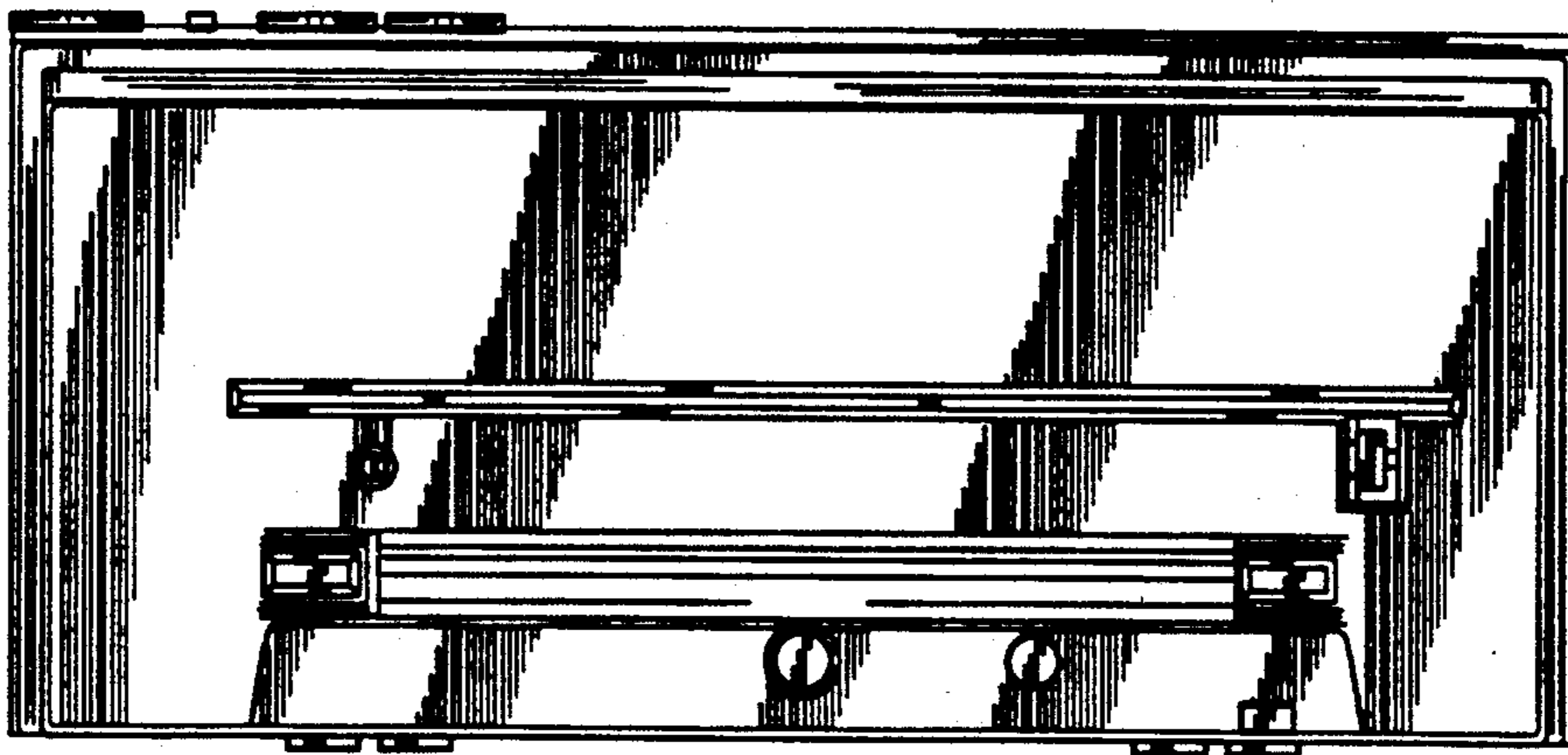
**FIG 1**



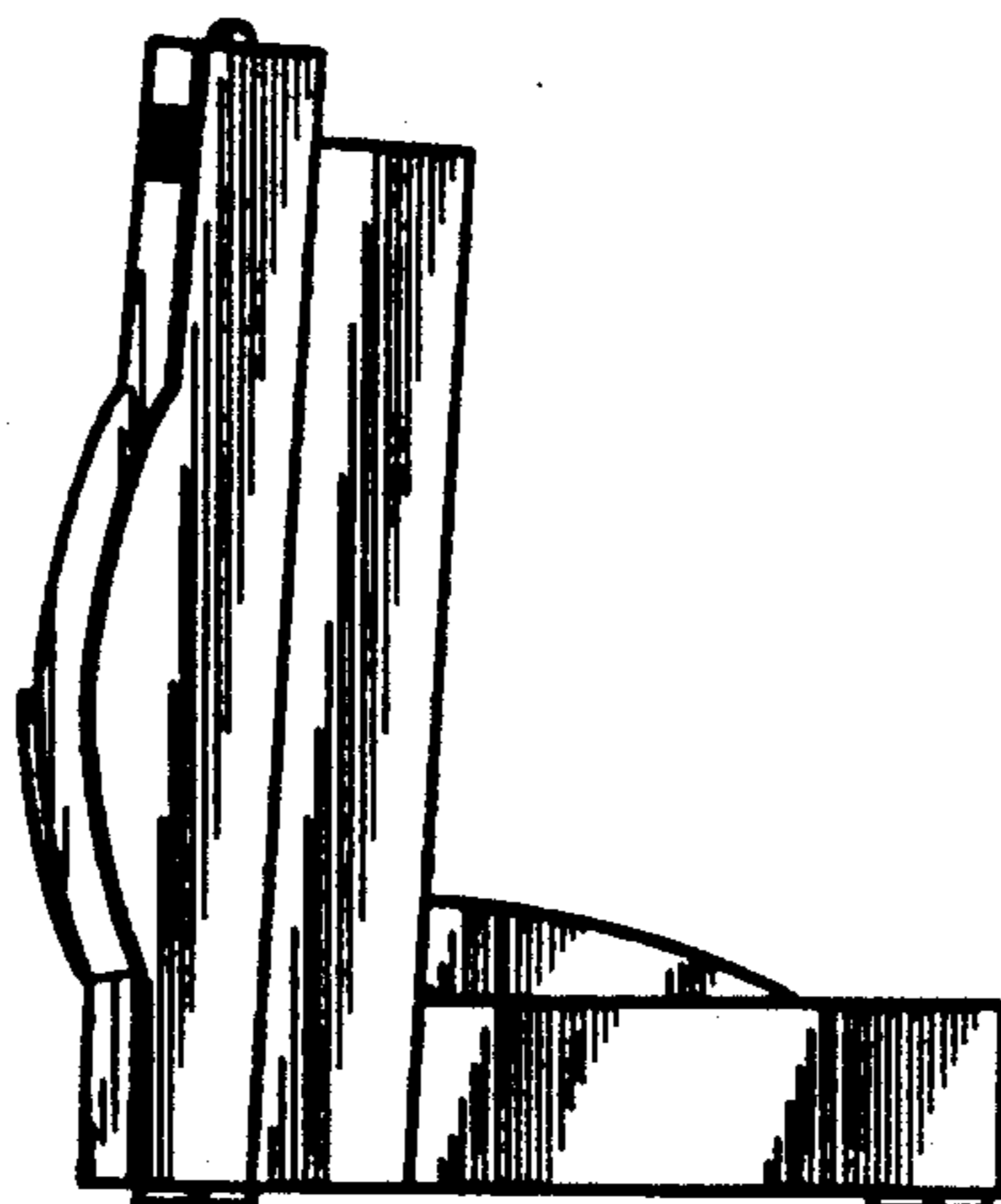
**FIG 2**



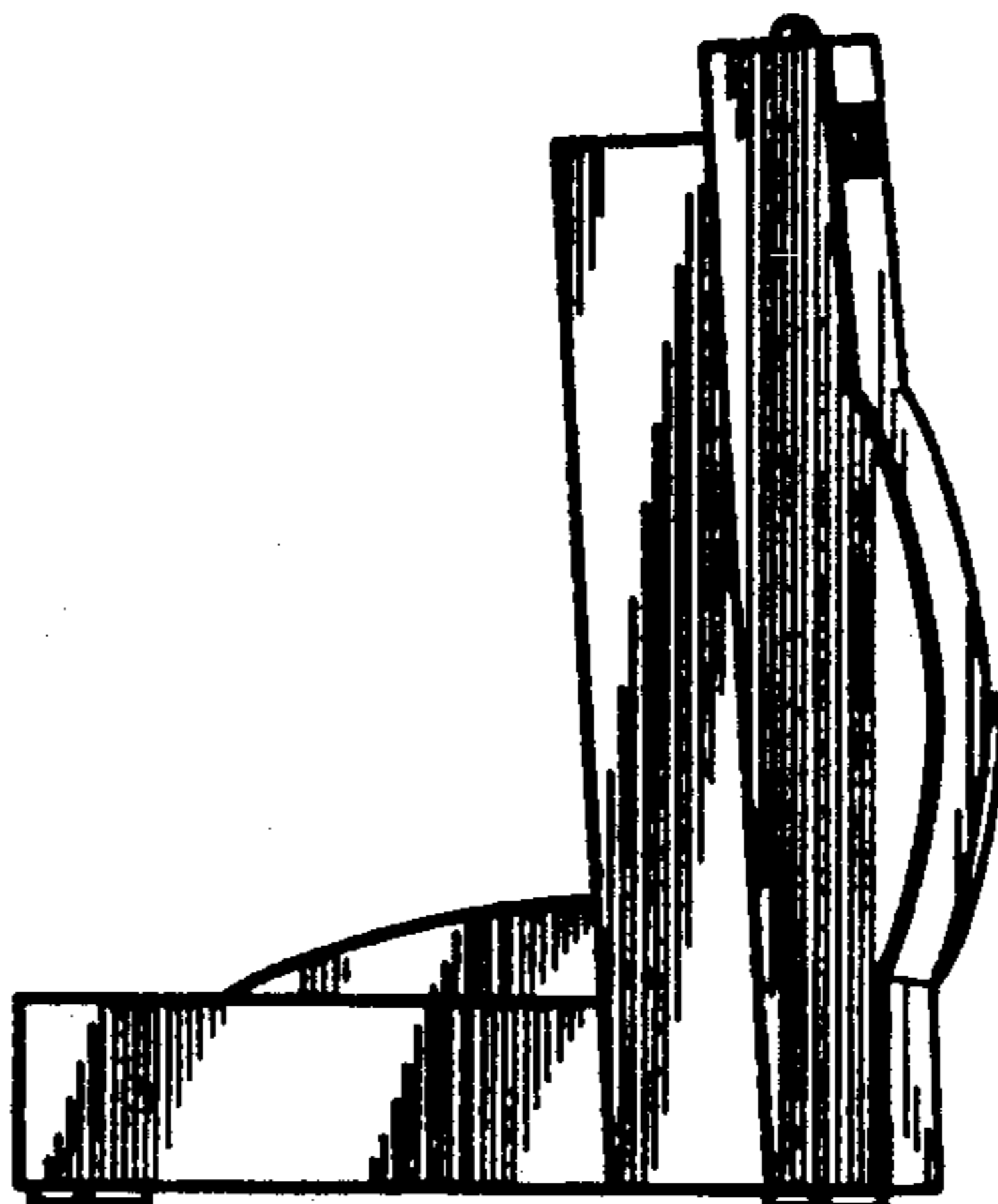
**FIG 3**



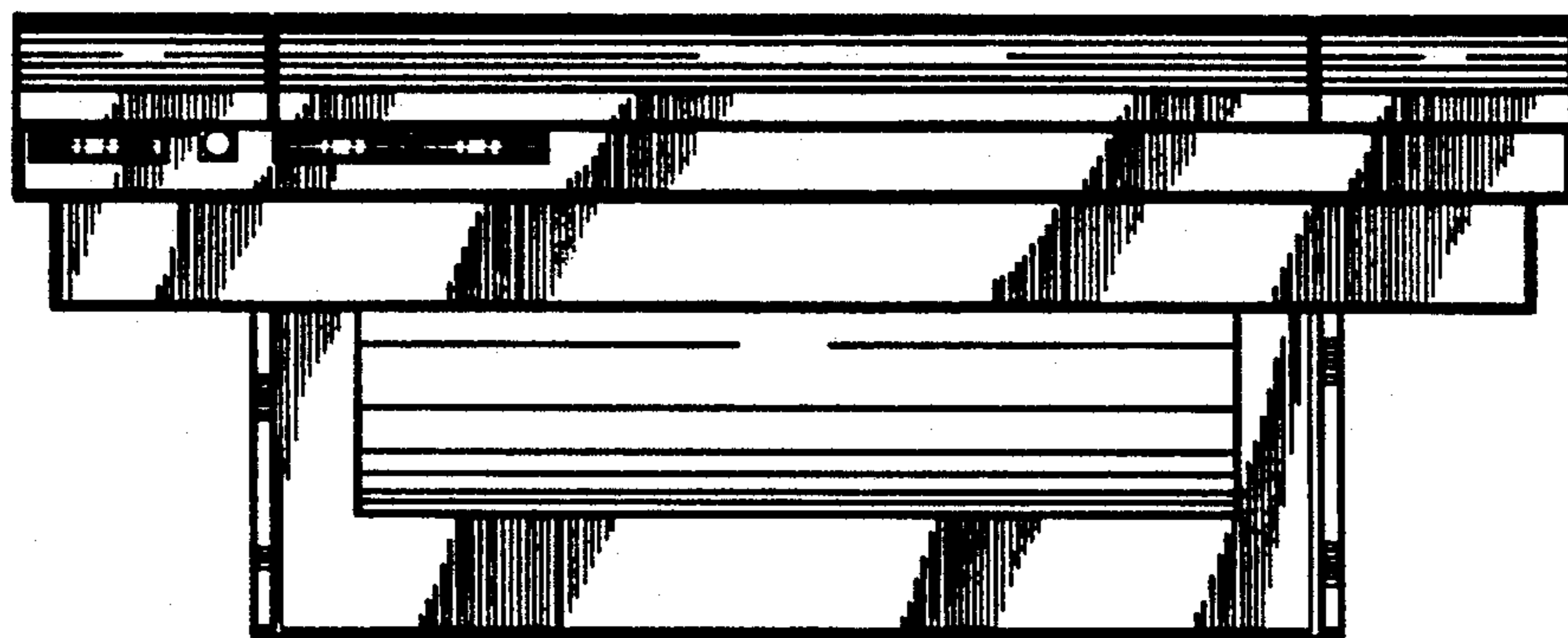
**FIG 4**



**FIG 5**



**FIG 6**



**FIG 7**

