



US00D338219S

United States Patent [19]

[11] Patent Number: **Des. 338,219**

Takahashi

[45] Date of Patent: **** Aug. 10, 1993**

[54] **LENS FOR SINGLE-LENS REFLEX CAMERA**

[75] Inventor: **Akio Takahashi, Tokyo, Japan**

[73] Assignee: **Asahi Kogaku Kogyo K.K., Tokyo, Japan**

[**] Term: **14 Years**

[21] Appl. No.: **778,719**

[22] Filed: **Oct. 18, 1991**

[30] **Foreign Application Priority Data**

Apr. 18, 1991 [JP] Japan 3-11329

[52] U.S. Cl. **D16/134**

[58] Field of Search **D16/134; 354/286, 288 R, 354/195.1, 195.12; 359/819, 811, 815, 826, 827, 704, 823, 703**

[56] **References Cited**

U.S. PATENT DOCUMENTS

D. 179,518	1/1957	Martinez	D16/134
D. 203,882	2/1966	Hoogesteger	D16/134
D. 271,698	12/1983	Shishido	D16/134 X
3,138,060	6/1964	Egeert et al.	359/703 X
4,005,263	1/1977	Collét	359/826 X

OTHER PUBLICATIONS

Popular Photography, Apr. 1989, p. 42, Sigma APO Lens.

Primary Examiner—A. Hugo Word
Assistant Examiner—Doris V. Coles
Attorney, Agent, or Firm—Sughrue, Mion, Zinn, Macpeak & Seas

[57] **CLAIM**

The ornamental design for a lens for single-lens reflex camera, as shown and described.

DESCRIPTION

FIG. 1 is an end view of one end of a camera lens showing my new design;
FIG. 2 is an end view of the opposite end thereof;
FIG. 3 is a side elevational view of a first side thereof;
FIG. 4 is a side elevational view of a second side thereof opposite said first side;
FIG. 5 is a side elevational view of a third side thereof; and,
FIG. 6 is a side elevational view of a fourth side thereof opposite said third side.

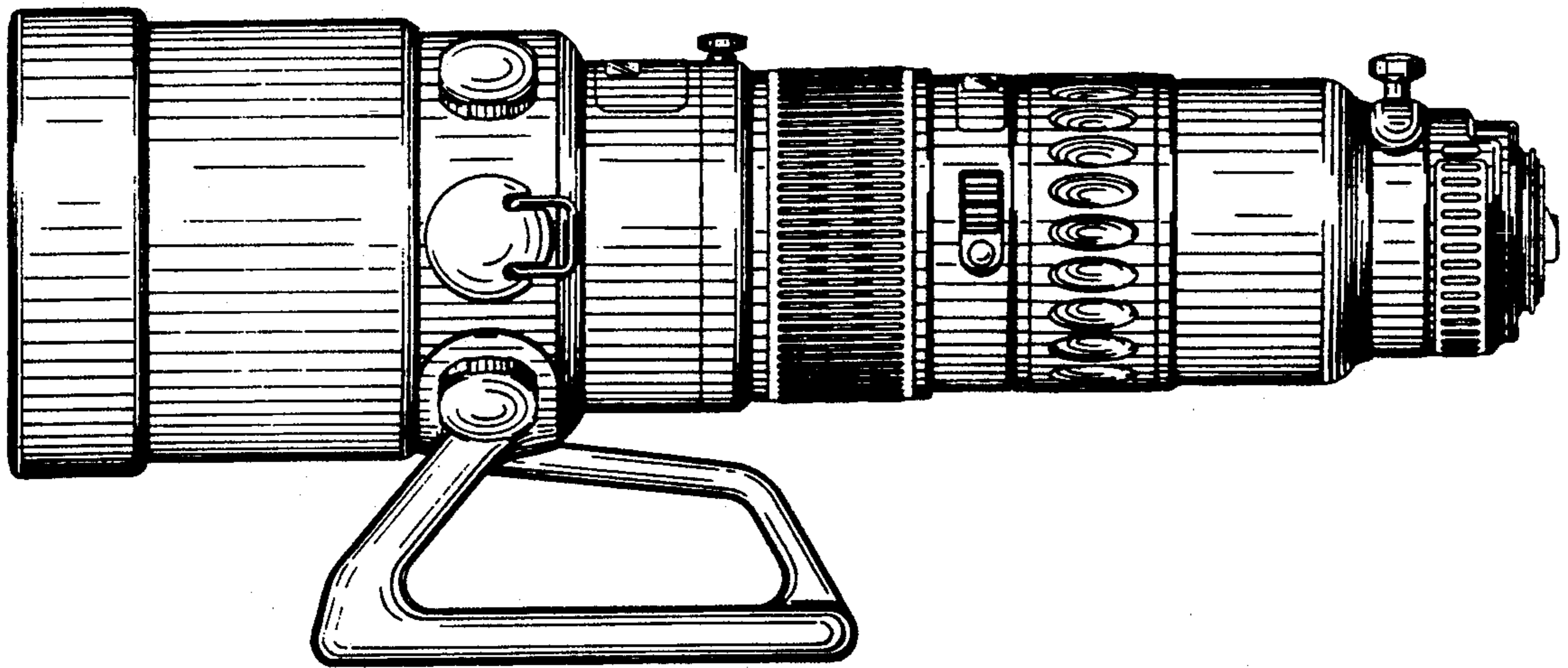


FIG. 1

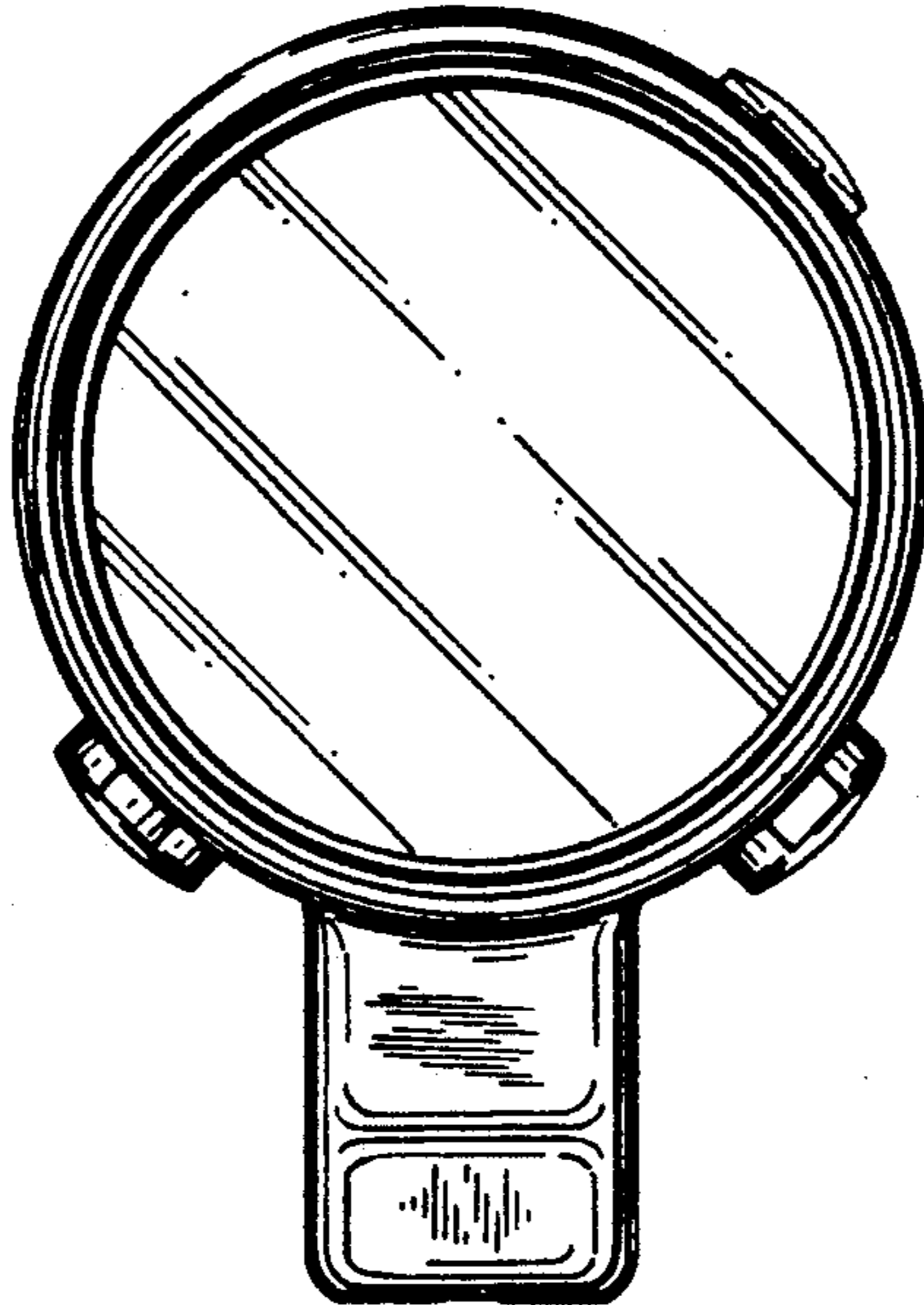


FIG. 2

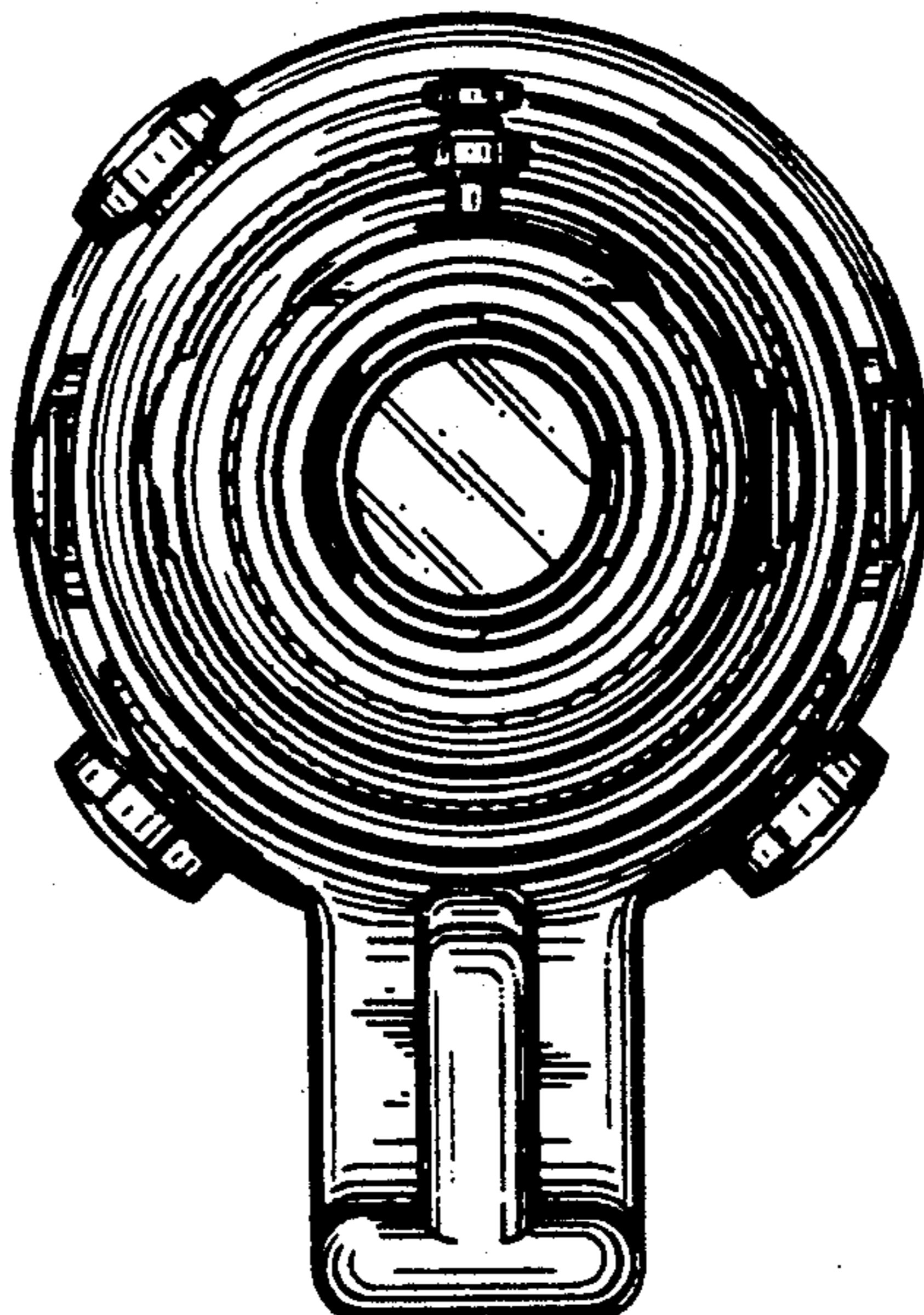


FIG. 3

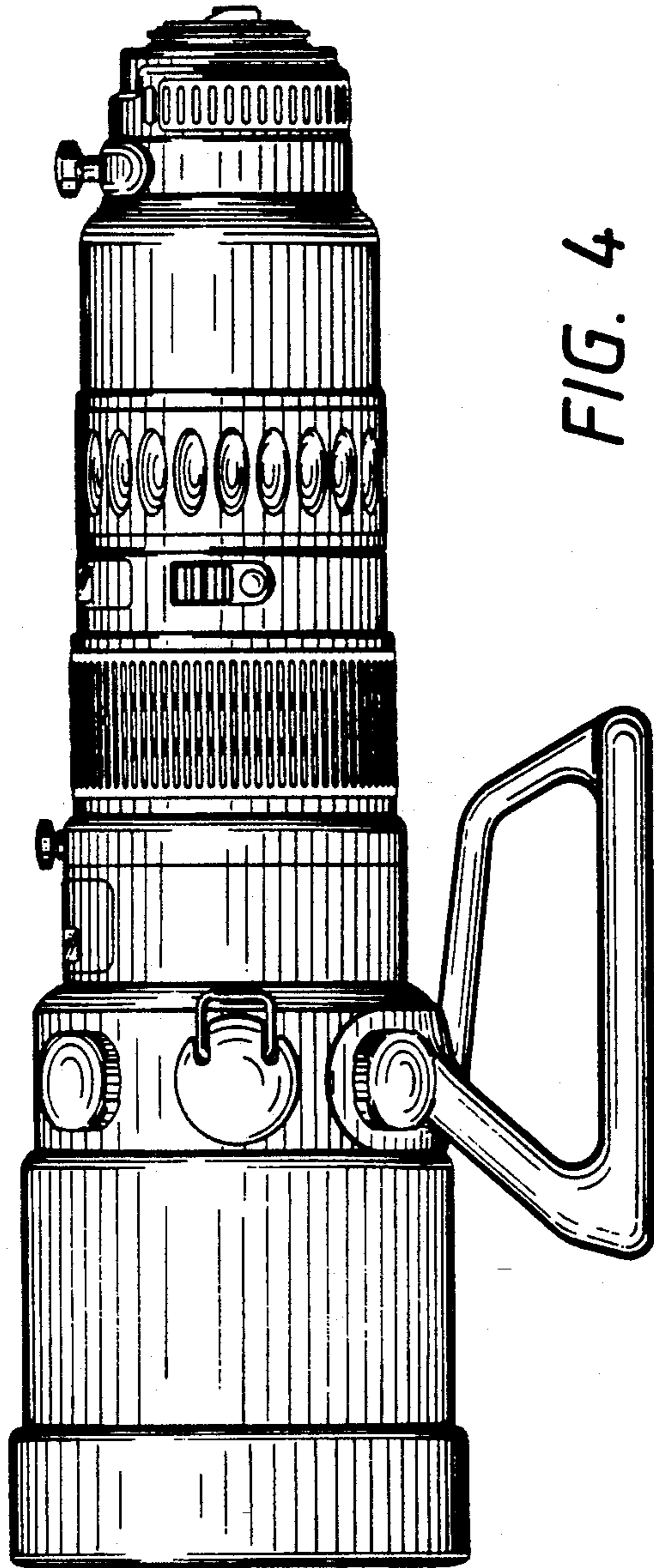


FIG. 4

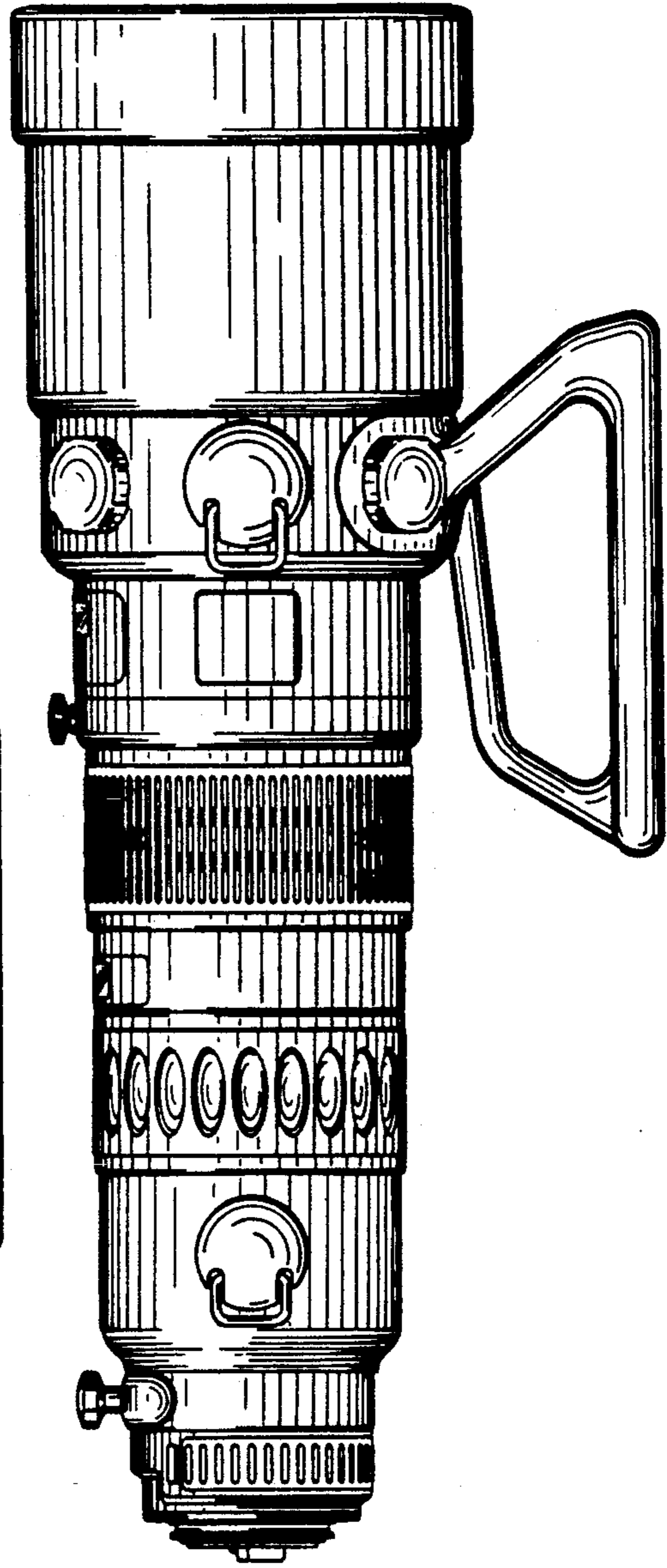


FIG. 5

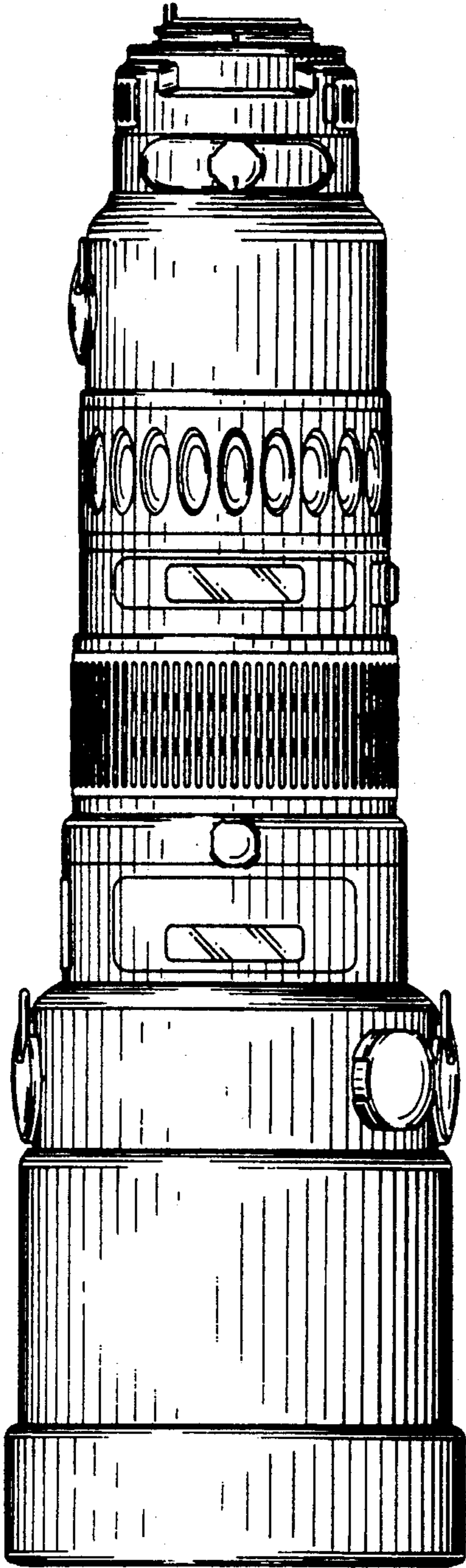


FIG. 6

