



US00D338215S

United States Patent [19]

[11] Patent Number: **Des. 338,215**

Maruyama

[45] Date of Patent: **** Aug. 10, 1993**

[54] **SEALING DEVICE FOR PACKING**

[75] Inventor: **Ichiro Maruyama, Osaka, Japan**

[73] Assignee: **Fuji Impulse Co., Ltd., Osaka, Japan**

[**] Term: **14 Years**

[21] Appl. No.: **766,164**

[22] Filed: **Sep. 26, 1991**

[30] **Foreign Application Priority Data**

Jul. 30, 1991 [JP]	Japan	3-22944
[52] U.S. Cl.		D15/146
[58] Field of Search	D15/145, 146; 53/373.2,	
	53/374.8, 374.9, 510, 511, 512, DIG. 2;	
	156/583.8, 583.9	

[56] **References Cited**

U.S. PATENT DOCUMENTS

3,597,587	8/1971	Baum	156/583.9 X
4,045,272	8/1977	Lombardi	156/583.9 X

Primary Examiner—Alan P. Douglas
Assistant Examiner—Antoine D. Davis

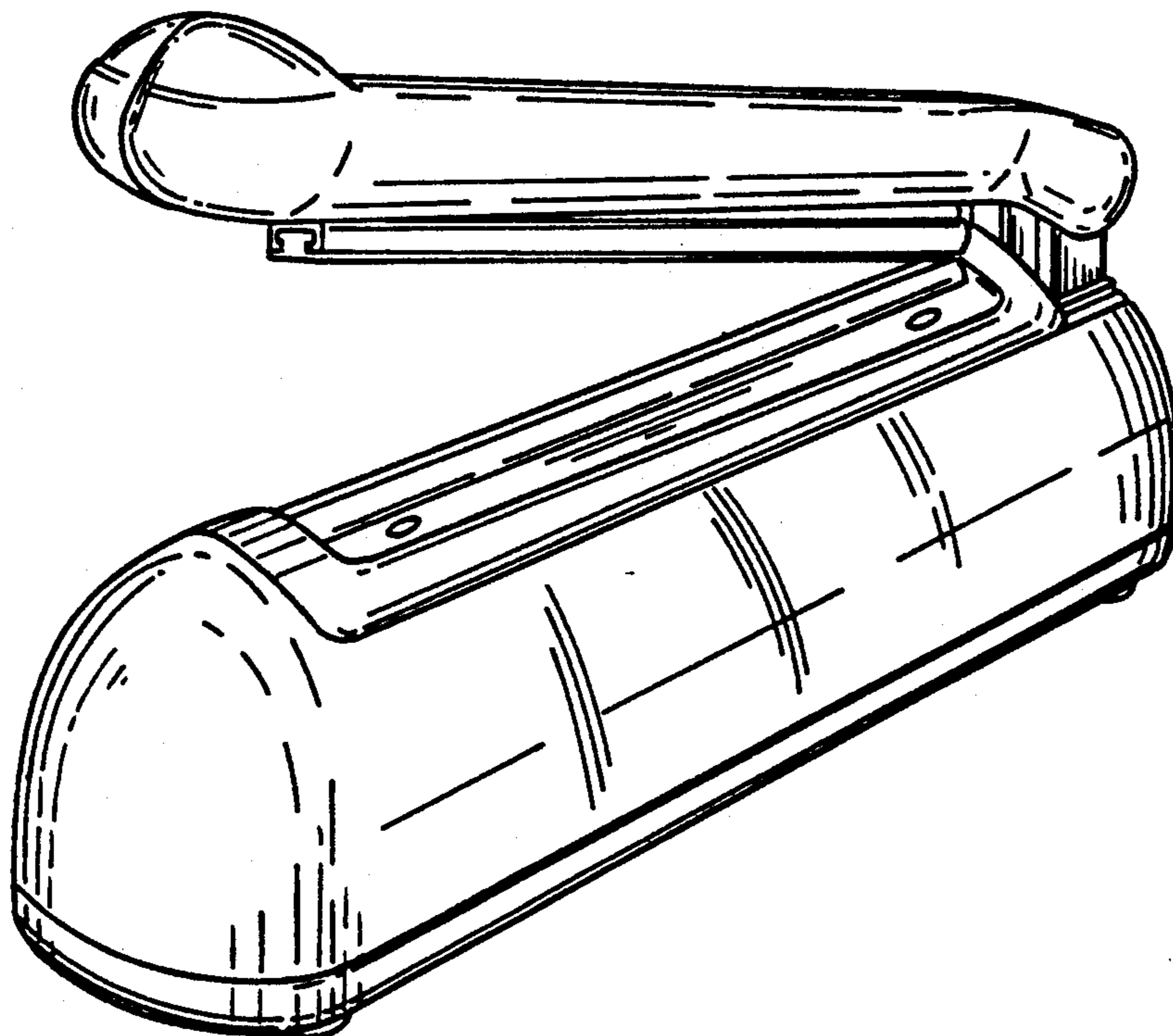
Attorney, Agent, or Firm—Webb, Burden, Ziesenheim & Webb

[57] **CLAIM**

The ornamental design for a sealing device for packing, as shown and described.

DESCRIPTION

FIG. 1 is a top plan view of a sealing device for packing according to the present design;
 FIG. 2 is a front view of the device;
 FIG. 3 is a bottom view of the device;
 FIG. 4 is a left side view of the device;
 FIG. 5 is a right side view of the device;
 FIG. 6 is a section taken along a line B—B not showing an internal mechanism;
 FIG. 7 is a section taken along a line A—A not showing an internal mechanism;
 FIG. 8 is a reference perspective view showing a lever-staying condition;
 FIG. 9 is a front view showing a lever-staying condition; and,
 FIG. 10 is a front view showing a lever lift-up condition.



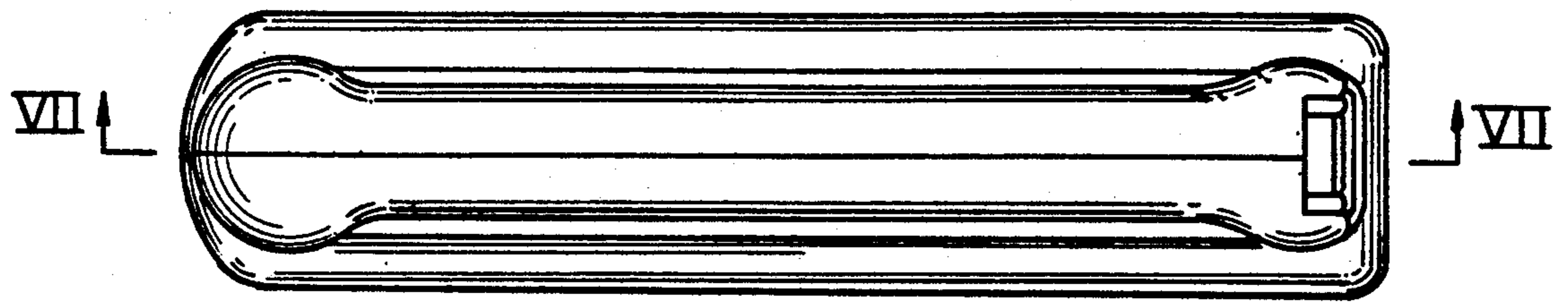


FIG. 1

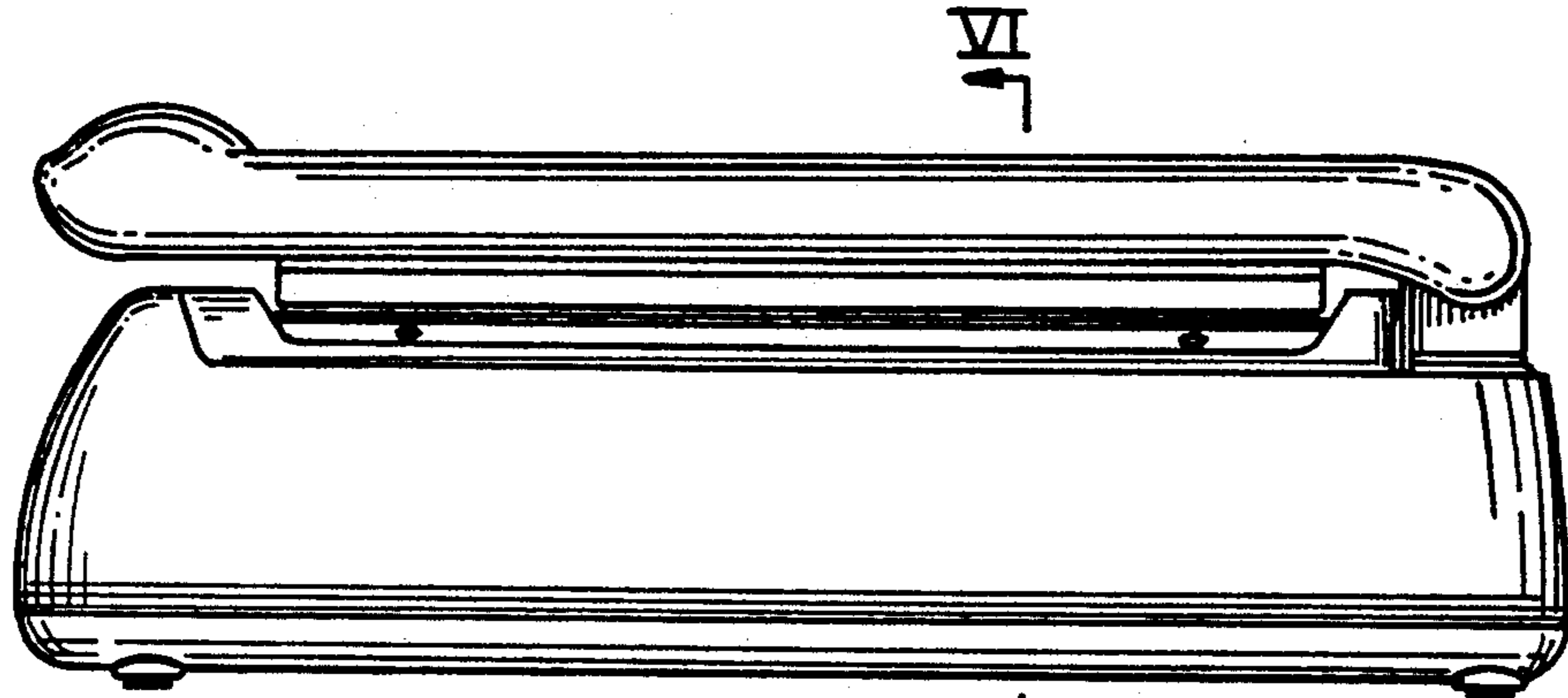


FIG. 2

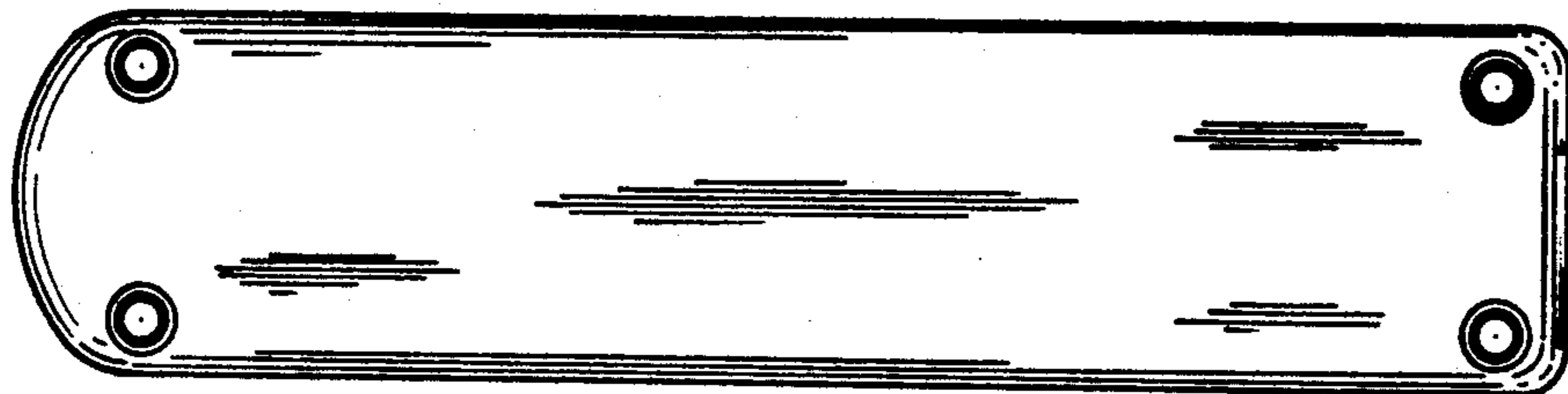


FIG. 3

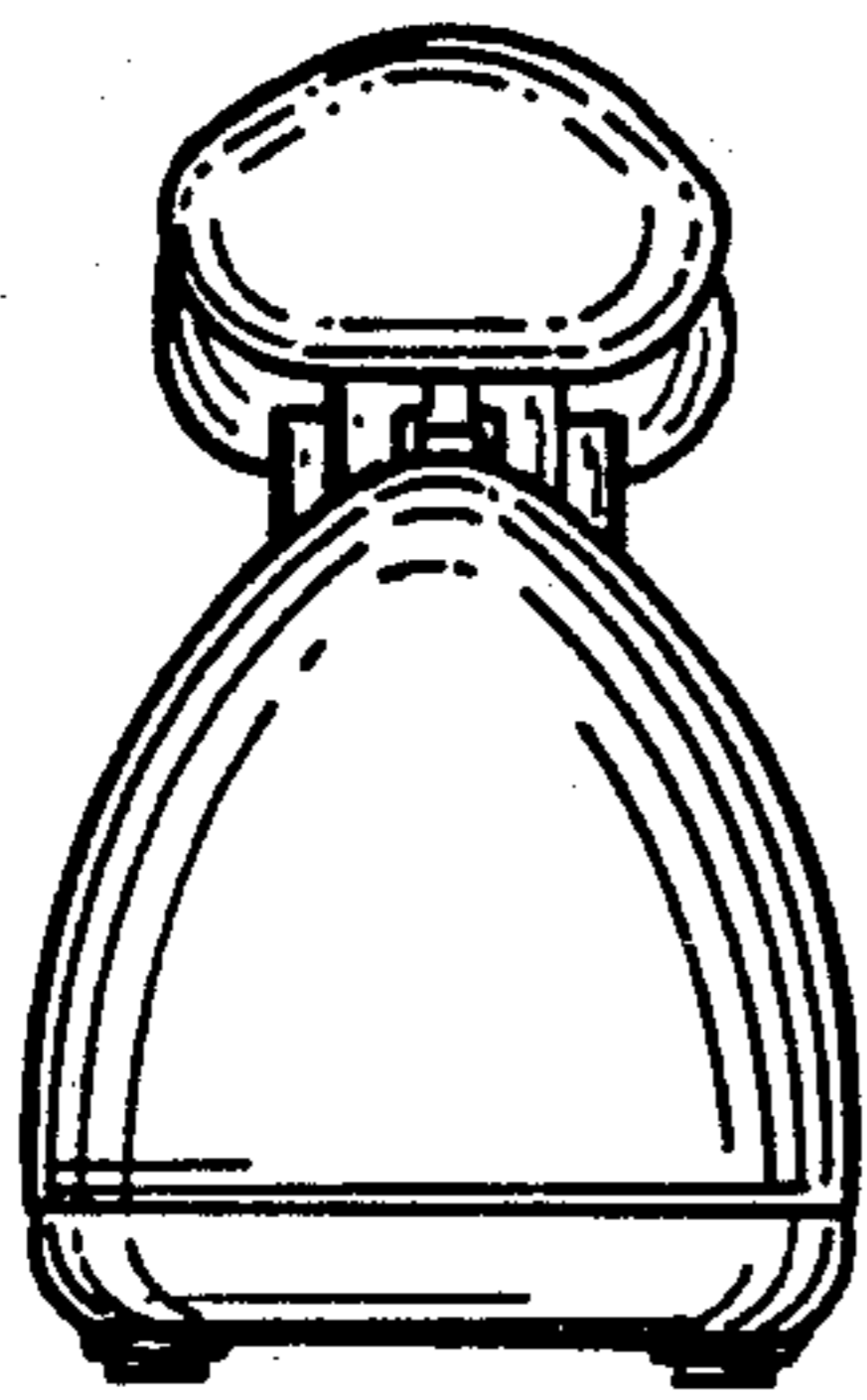


FIG. 4

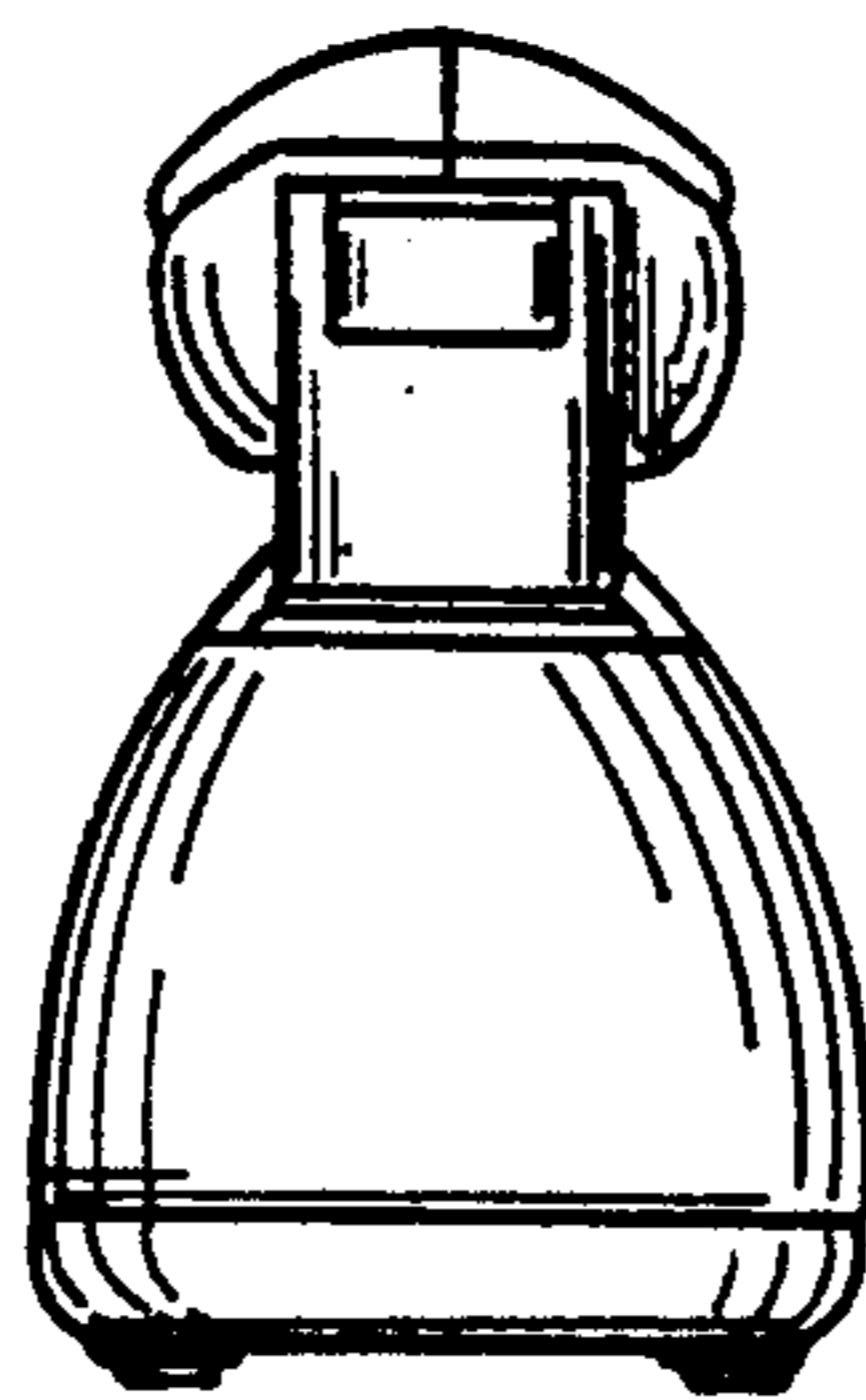


FIG. 5

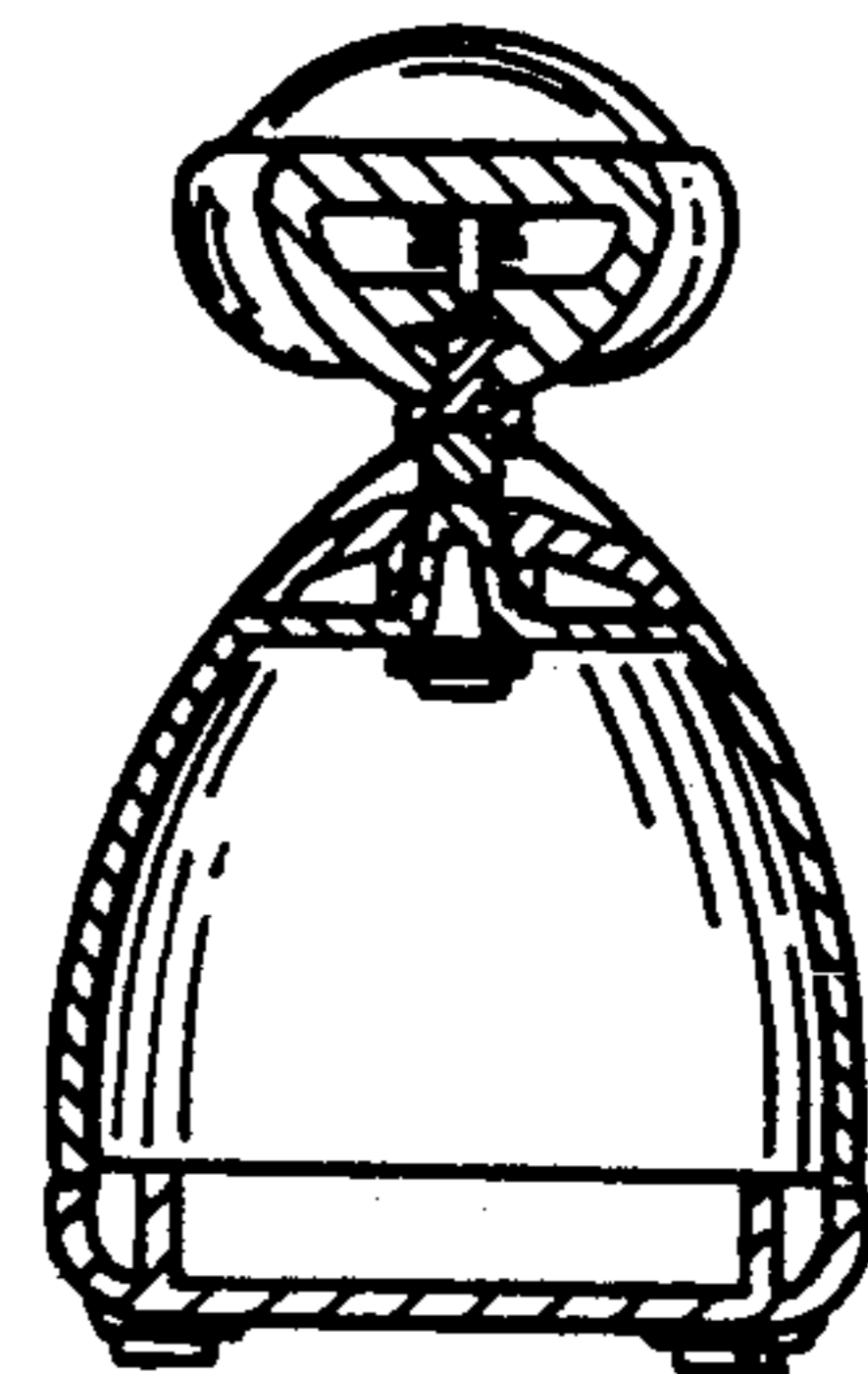


FIG. 6

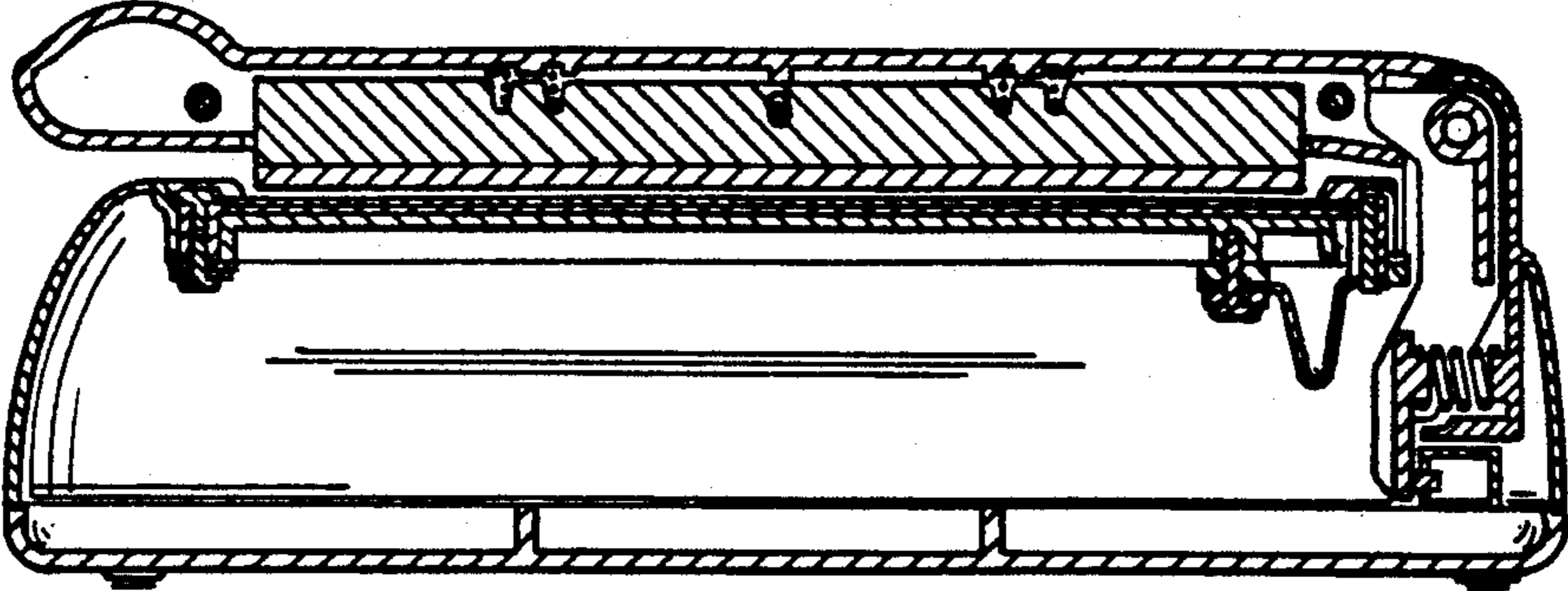


FIG. 7

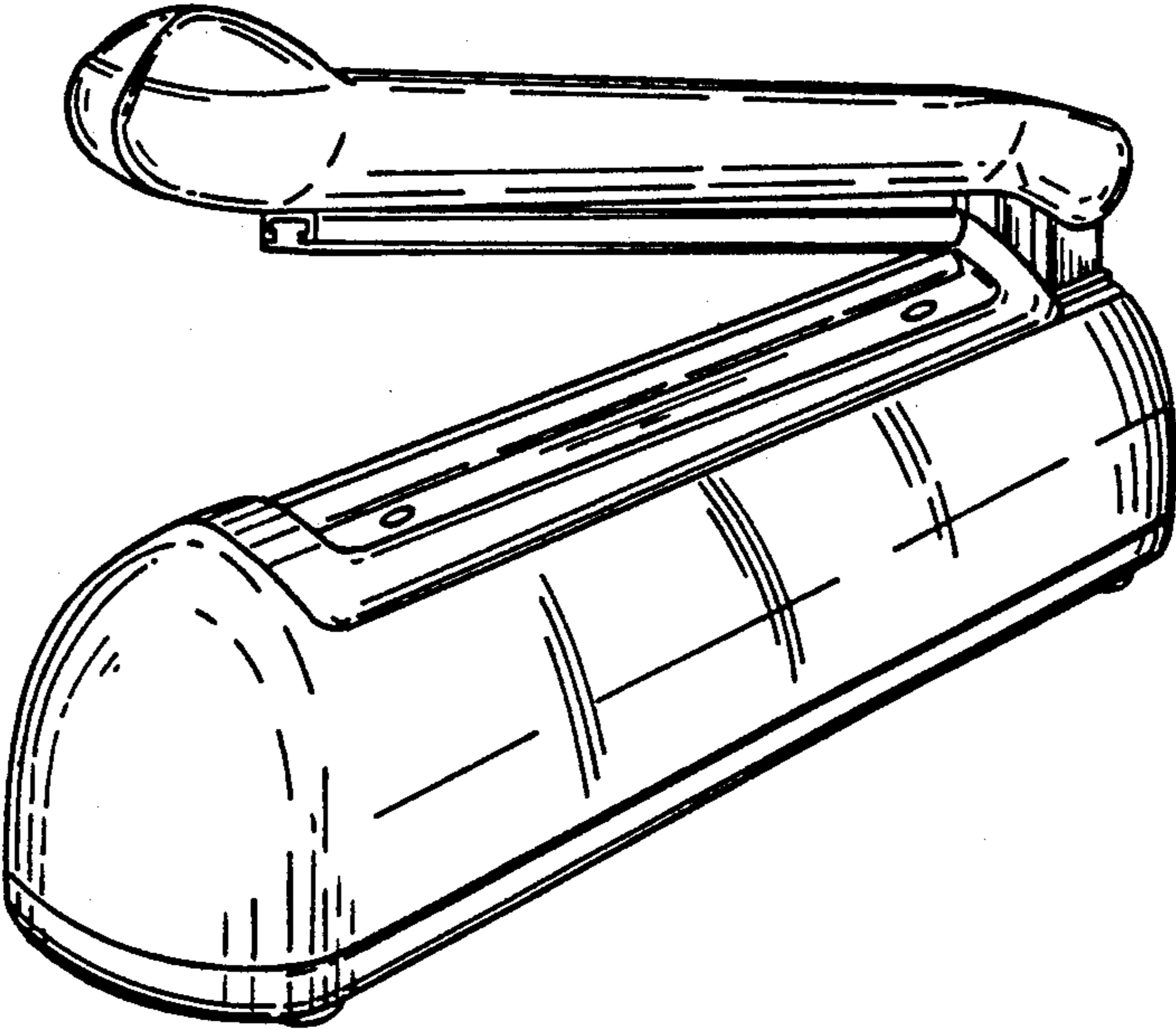


FIG. 8

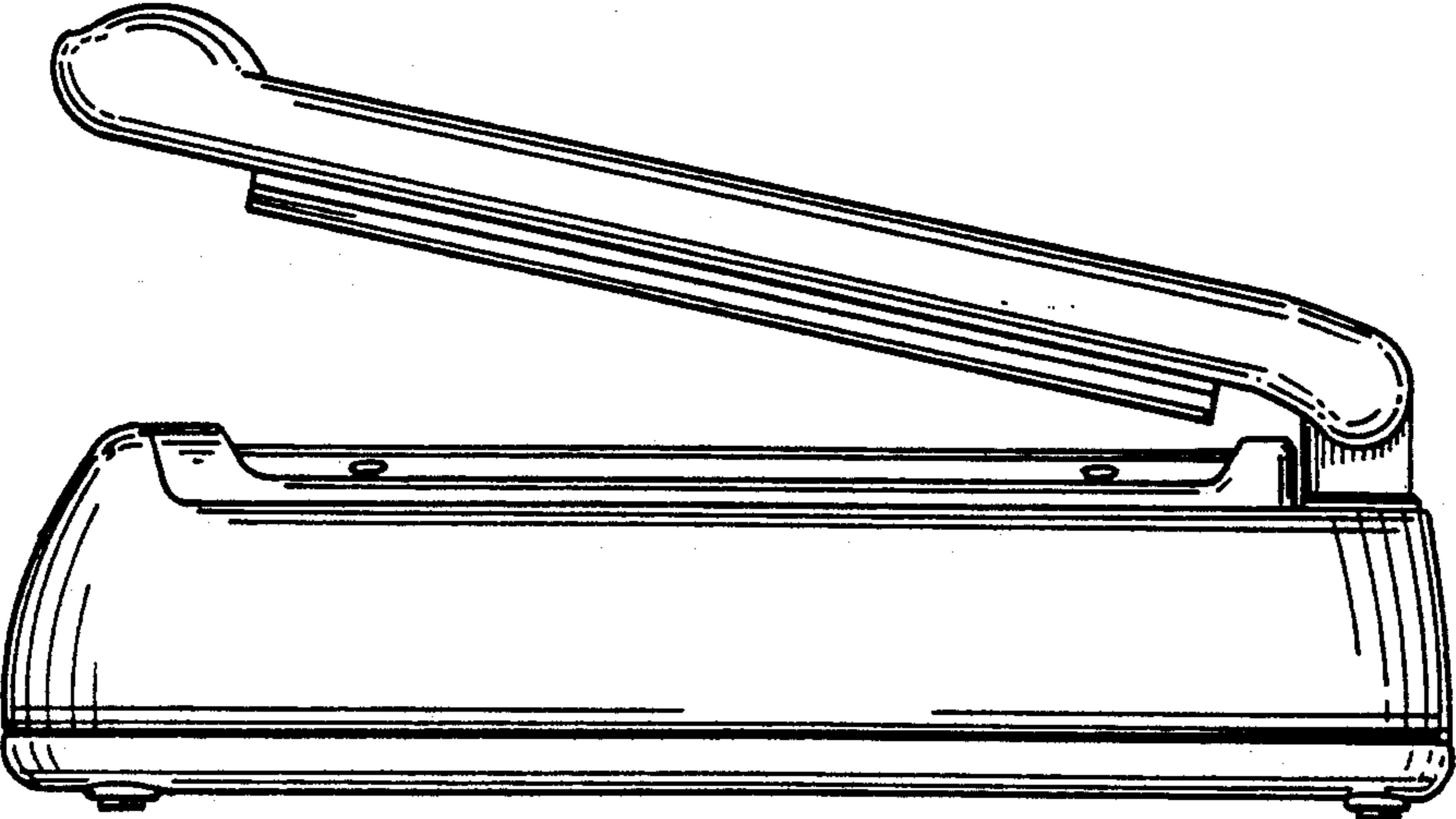


FIG. 9

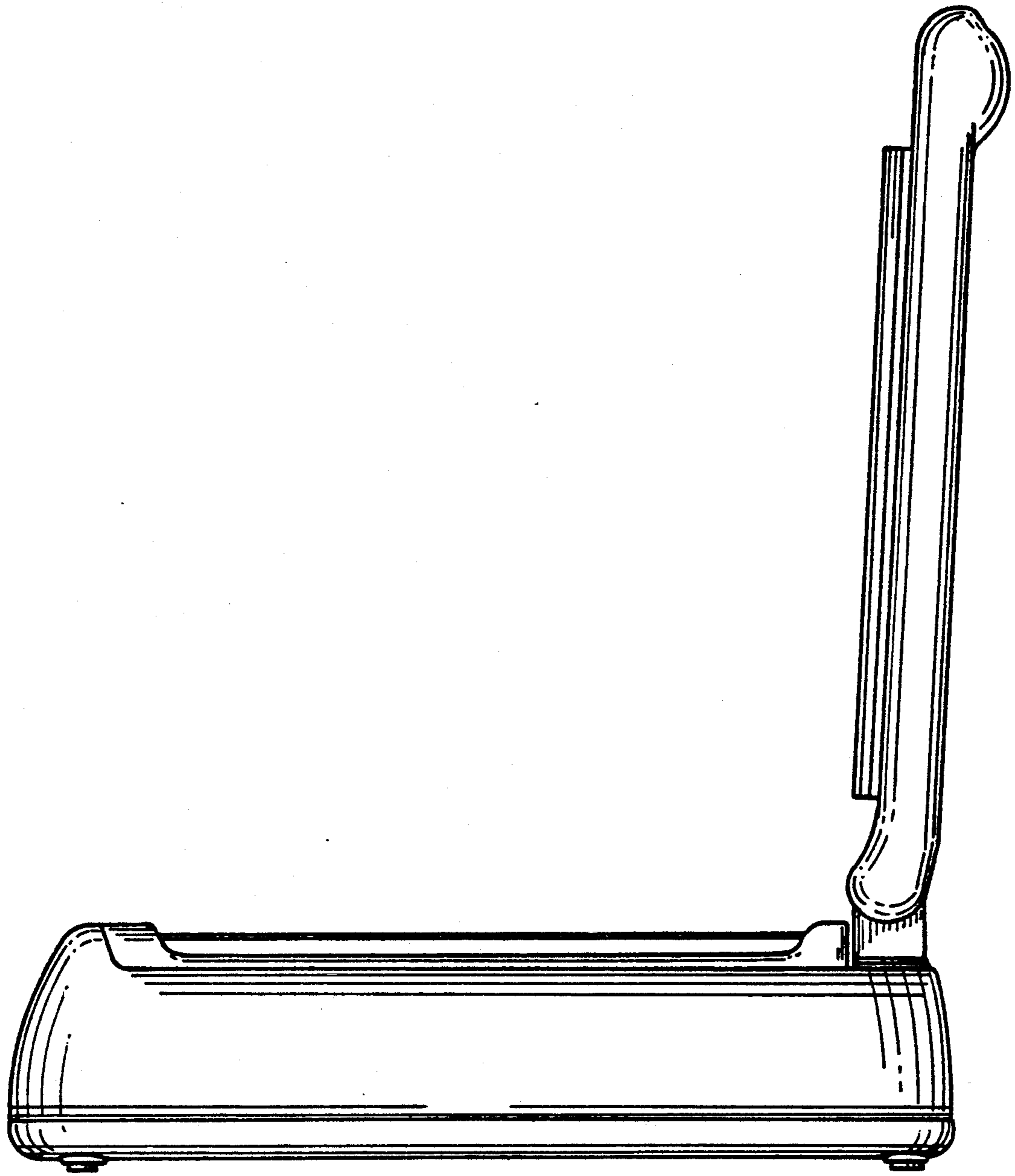


FIG. 10