



US00D338214S

# United States Patent [19]

[11] Patent Number: **Des. 338,214**

Crittenden et al.

[45] Date of Patent: **\*\* Aug. 10, 1993**

[54] **HAND OPERATED STRAPPING TOOL**

4,015,643 4/1977 Cheung ..... 140/93.4

[75] Inventors: **David E. Crittenden, Schaumburg; Charles Pycha, Chicago; Robert J. Nix, Algonquin, all of Ill.**

### OTHER PUBLICATIONS

Signode Corp., Signode Model ASD Combination Strapping Tool, p. 69.

[73] Assignee: **Signode Corporation, Glenview, Ill.**

*Primary Examiner*—Alan P. Douglas  
*Assistant Examiner*—Antoine D. Davis  
*Attorney, Agent, or Firm*—T. W. Buckman; D. J. Breh

[\*\*] Term: **14 Years**

[21] Appl. No.: **784,822**

### [57] CLAIM

The ornamental design for a hand operated strapping tool, as shown and described.

[22] Filed: **Oct. 30, 1991**

[52] U.S. Cl. .... **D15/145**

[58] Field of Search ..... **D15/145; D8/44; D19/66-69; 53/375.9, 582; 140/93.4; 156/73.5, 73.6, 157, 361, 268, 502, 520, 522, 530, 580; 254/218**

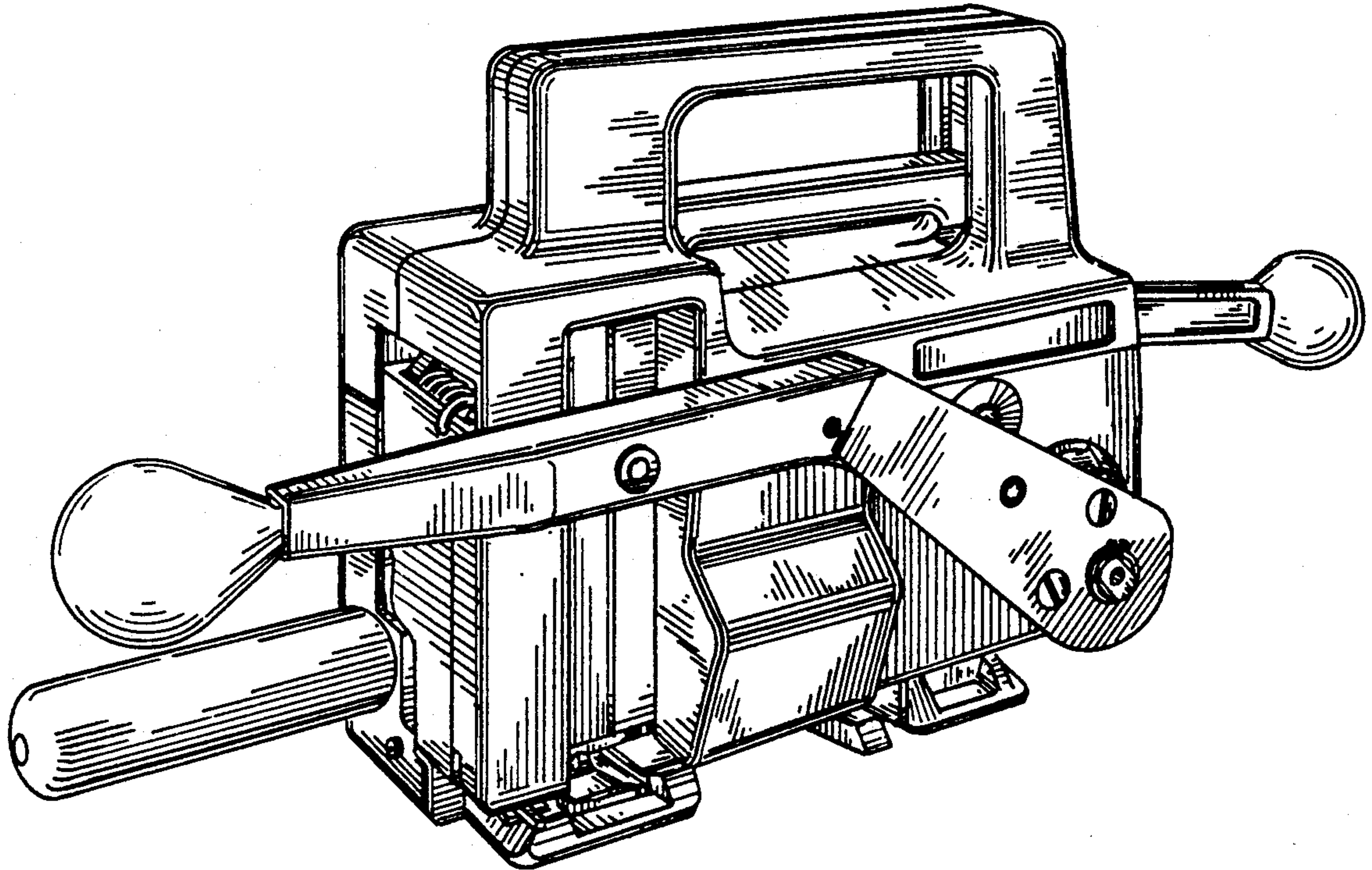
### DESCRIPTION

FIG. 1 is a rear and left side perspective view of a hand operated strapping tool showing our new design; FIG. 2 is a rear elevational view thereof; FIG. 3 is a front elevational view thereof; FIG. 4 is a top plan view thereof; FIG. 5 is a left side elevational view thereof; FIG. 6 is a bottom plan view thereof; and, FIG. 7 is a right side elevational view thereof.

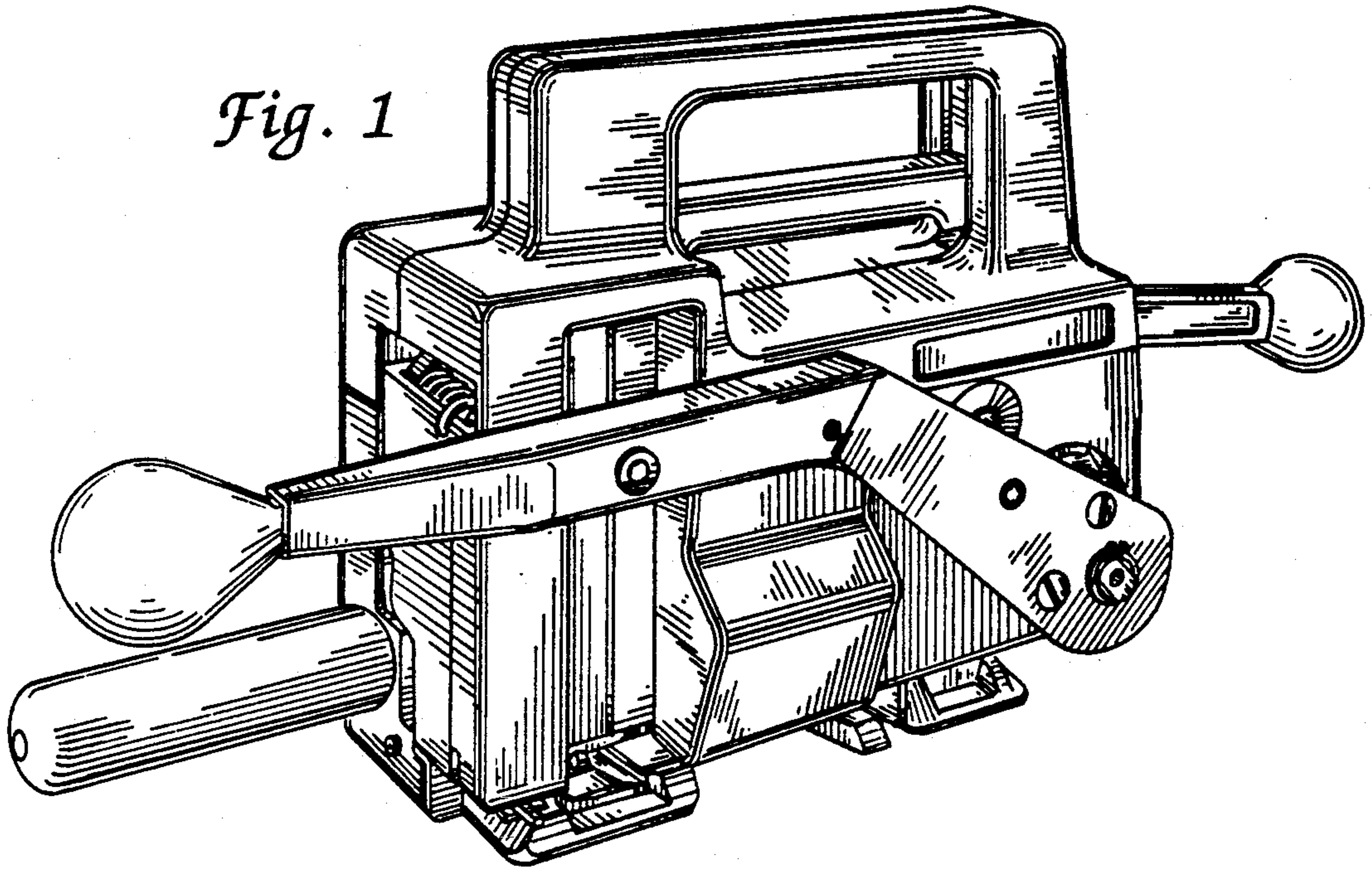
### [56] References Cited

#### U.S. PATENT DOCUMENTS

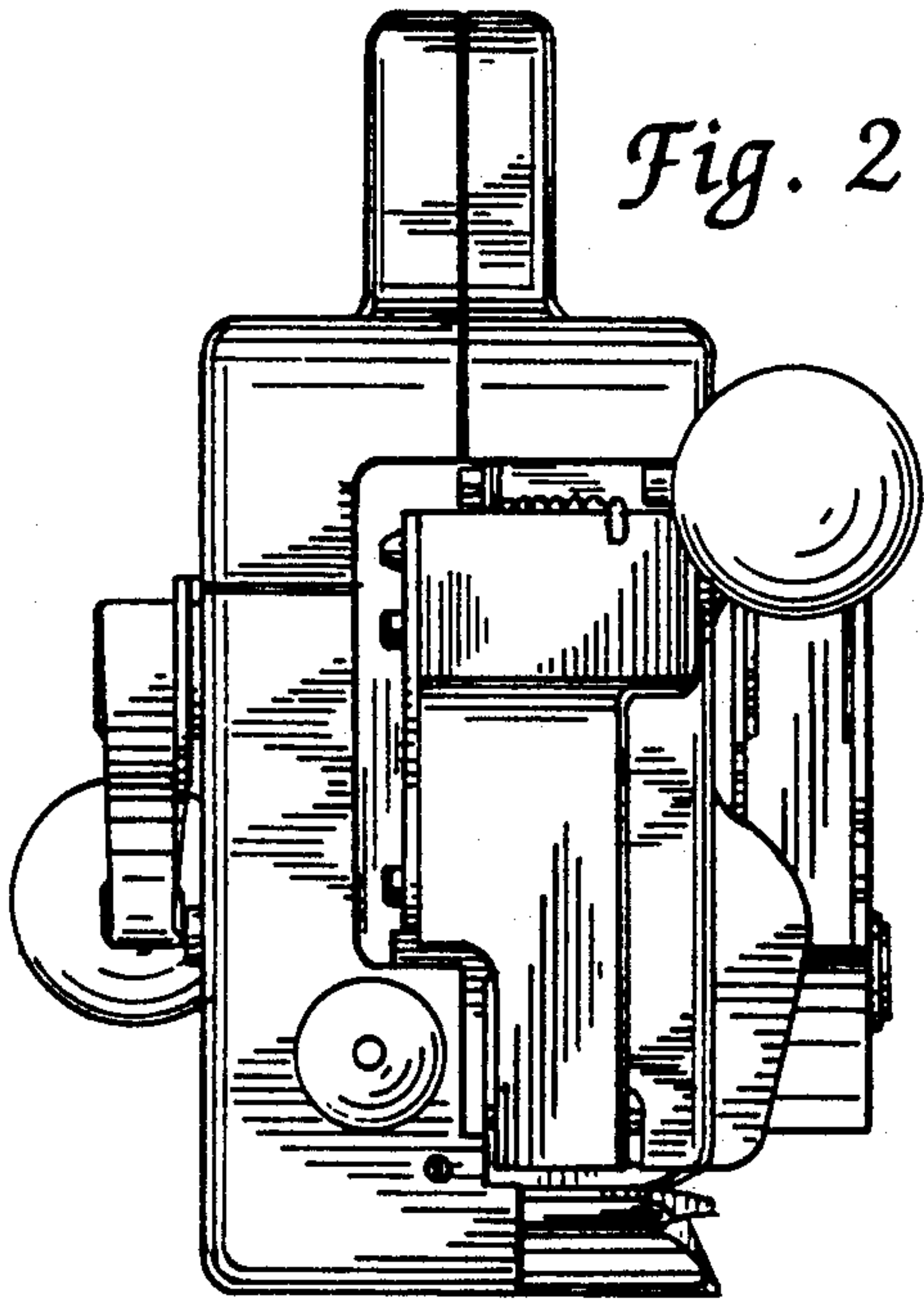
3,650,301 3/1972 Kacass ..... 140/93.4  
3,944,460 3/1976 Kacr ..... 53/582 X



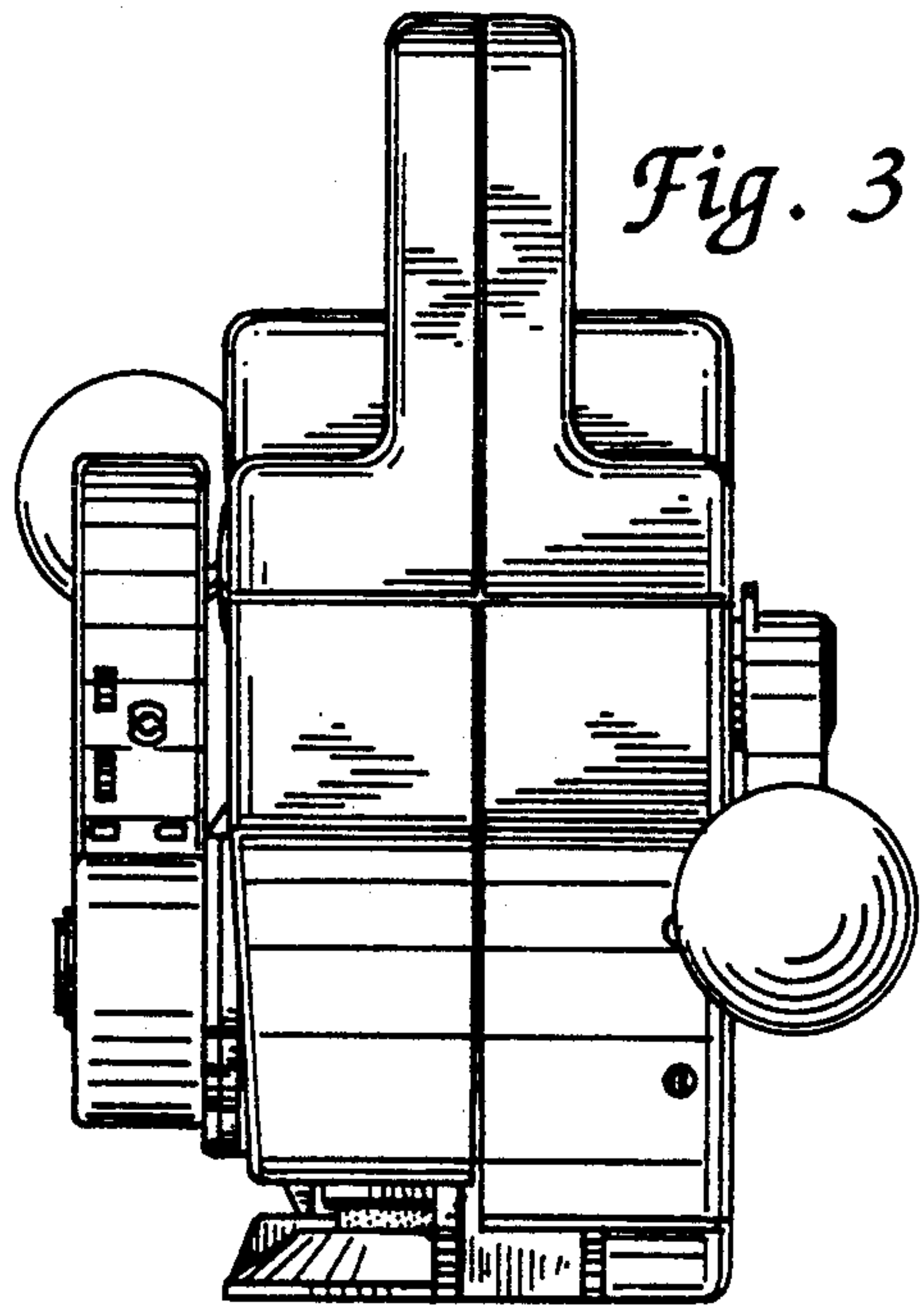
*Fig. 1*



*Fig. 2*



*Fig. 3*





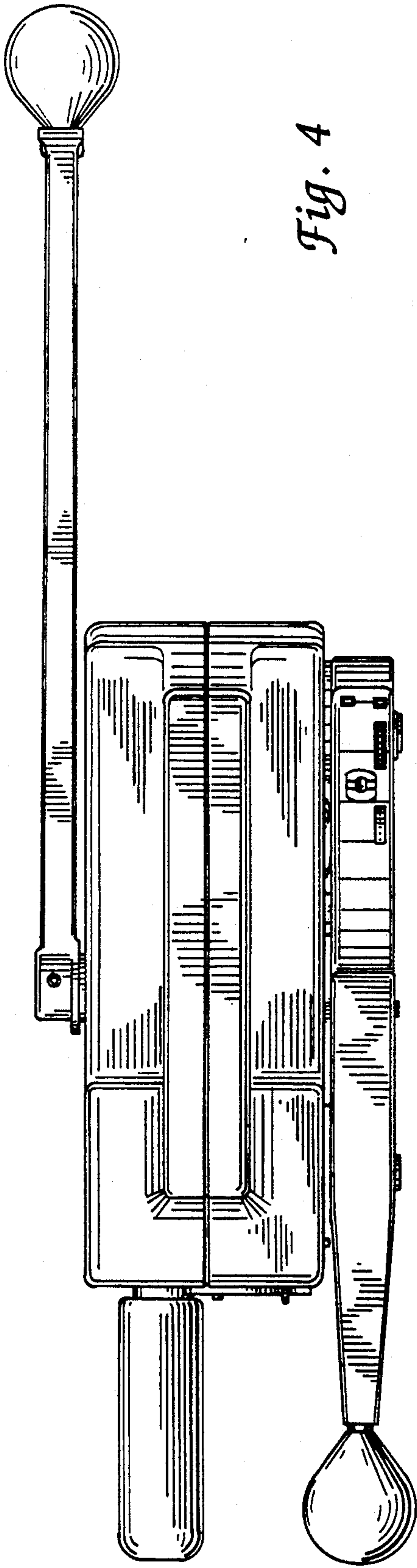


Fig. 4

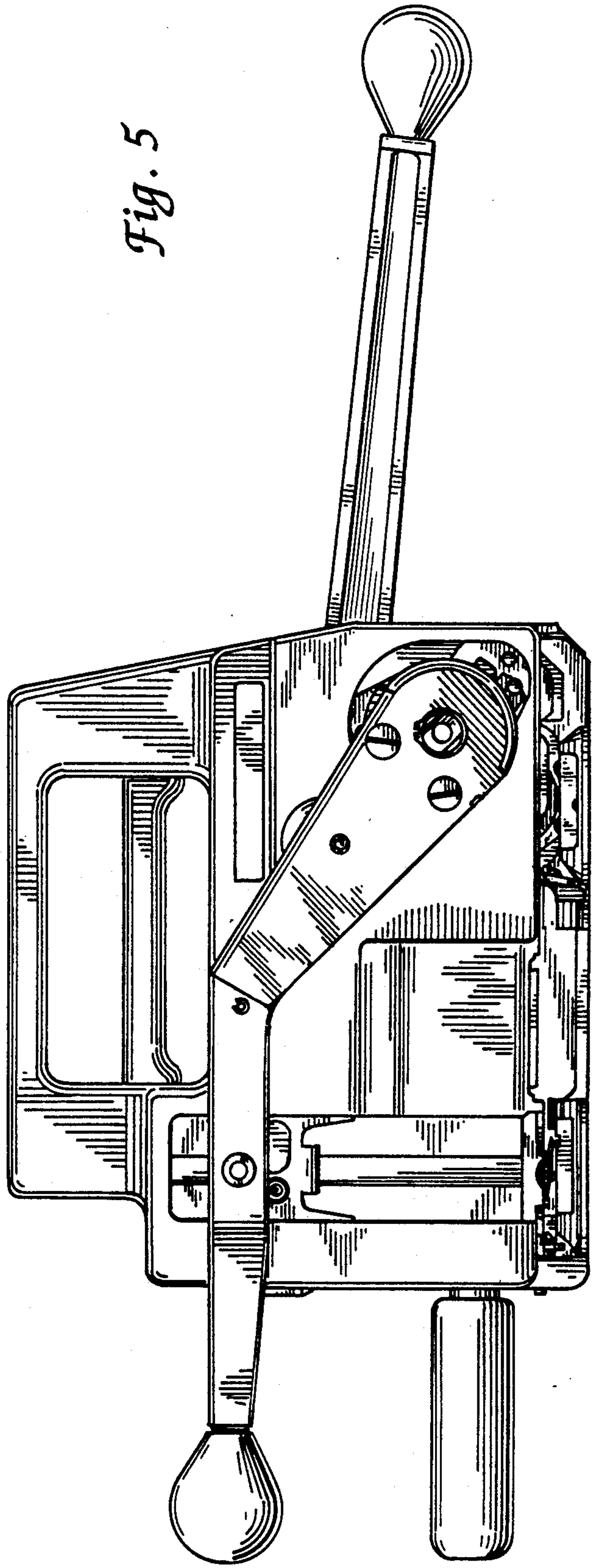


Fig. 5

