



US00D338213S

# United States Patent [19]

[11] Patent Number: **Des. 338,213**

Witt

[45] Date of Patent: **\*\* Aug. 10, 1993**

[54] **ROUTER BIT**

3,491,422 1/1970 Kelly et al. .... 407/63  
4,219,292 8/1980 Hoffmann et al. .... 407/63

[76] Inventor: **Bradley R. Witt, 5323 W. Kimberly Rd., Davenport, Iowa 52806**

*Primary Examiner*—Alan P. Douglas  
*Assistant Examiner*—A. D. Davis  
*Attorney, Agent, or Firm*—Robert O. Richardson

[\*\*] Term: **14 Years**

[57] **CLAIM**

[21] Appl. No.: **758,079**

The ornamental design for a router bit, as shown and described.

[22] Filed: **Sep. 12, 1991**

[52] U.S. Cl. .... **D15/139**

[58] Field of Search ..... **D15/138, 139; 175/393, 175/427; 299/79, 81, 86, 92; 407/61, 63, 114**

**DESCRIPTION**

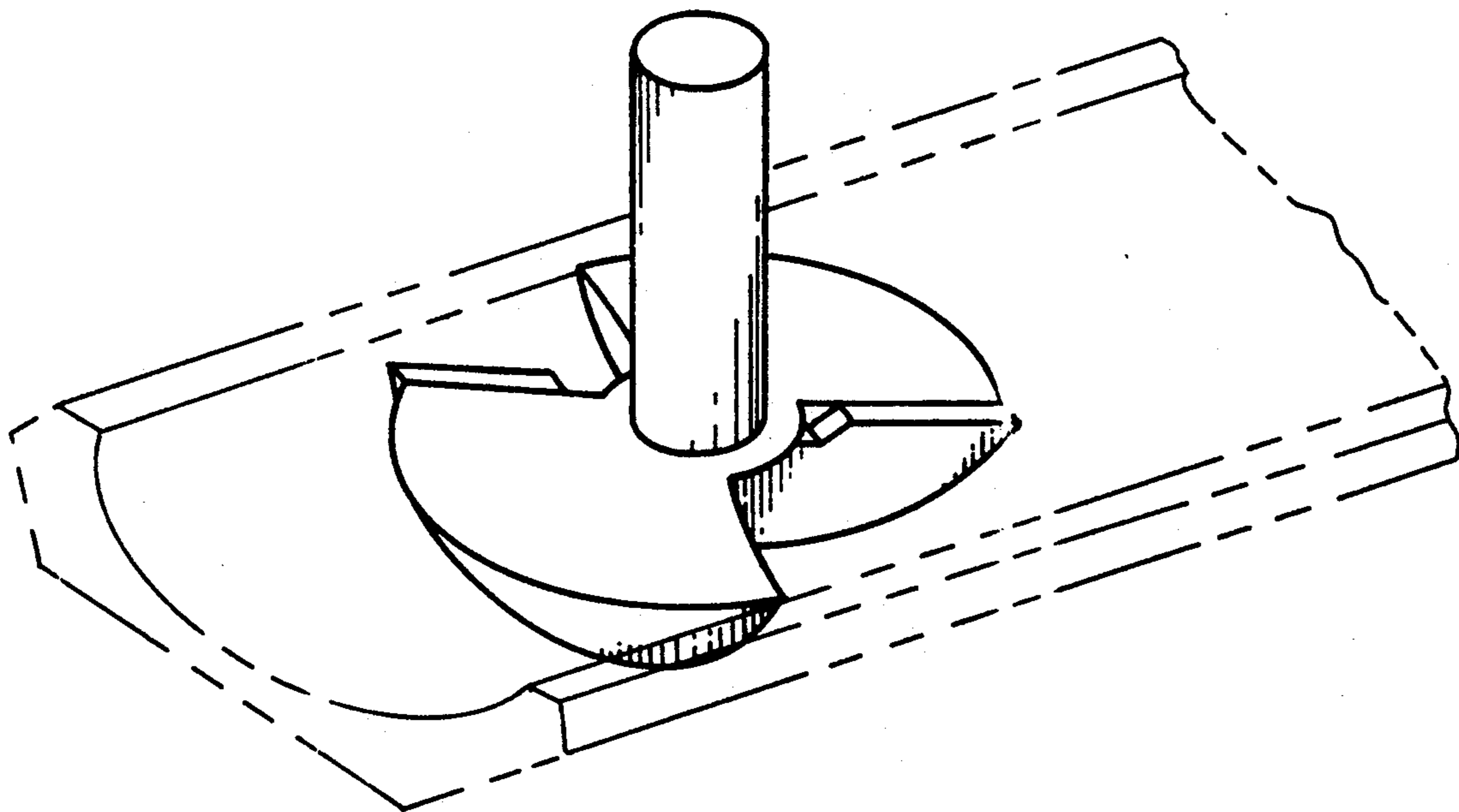
[56] **References Cited**

**U.S. PATENT DOCUMENTS**

D. 246,524	11/1977	Lauber	.....	D15/139
D. 263,598	3/1982	Lassiter	.....	D15/139
2,113,178	4/1938	Gase	.....	407/63 X
2,782,489	2/1957	Hargrove et al.	.....	407/63
2,861,323	11/1958	Ebel	.....	407/61

FIG. 1 is a perspective view of the router bit and a cutout portion of a ceiling trim made thereby;  
FIG. 2 is a bottom view;  
FIG. 3 is a side view;  
FIG. 4 is an end view; and,  
FIG. 5 is a top view.

The broken line showing of partial ceiling trim is for illustrative purposes only and forms no part of the claimed design.



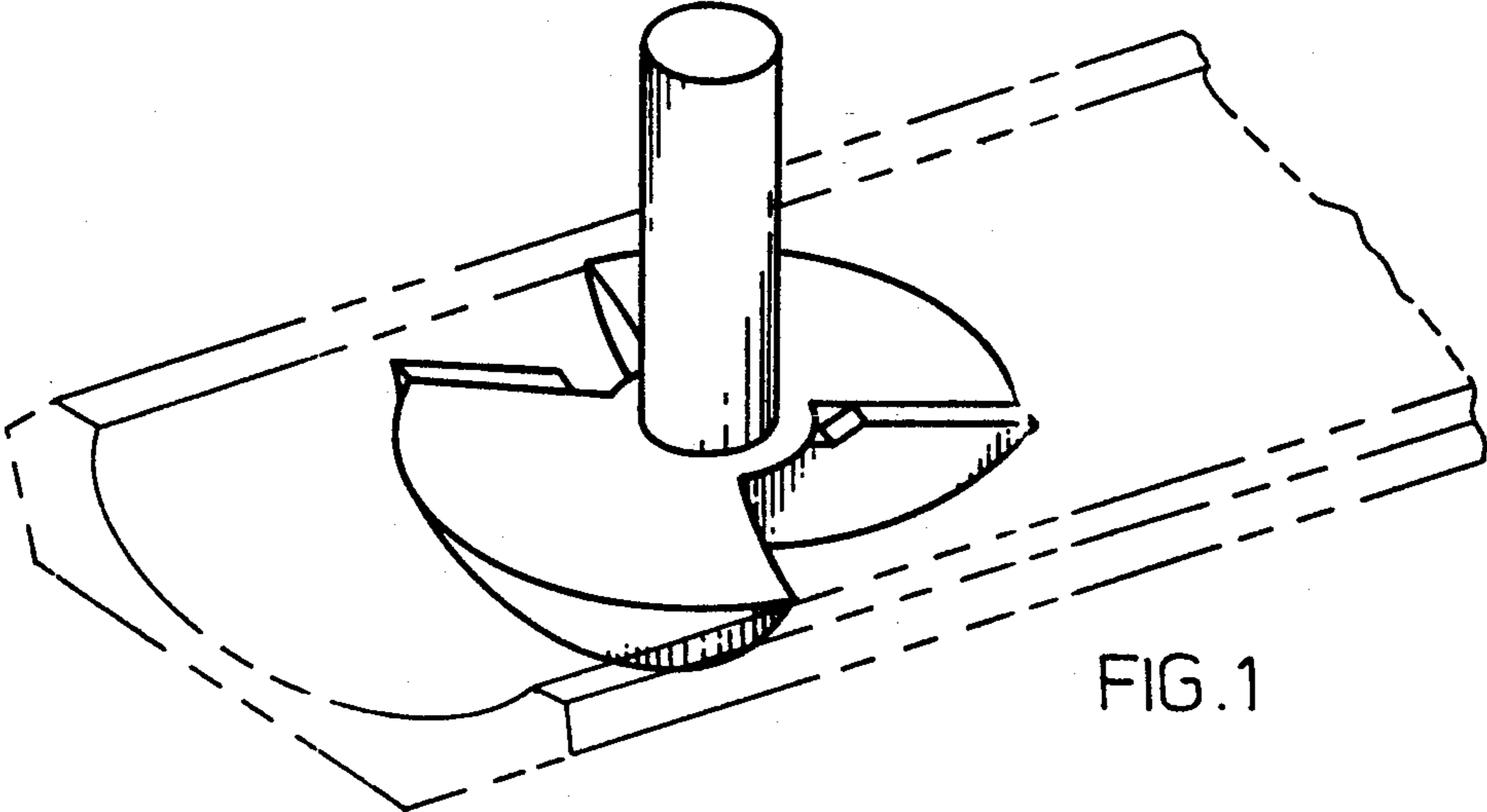


FIG. 1

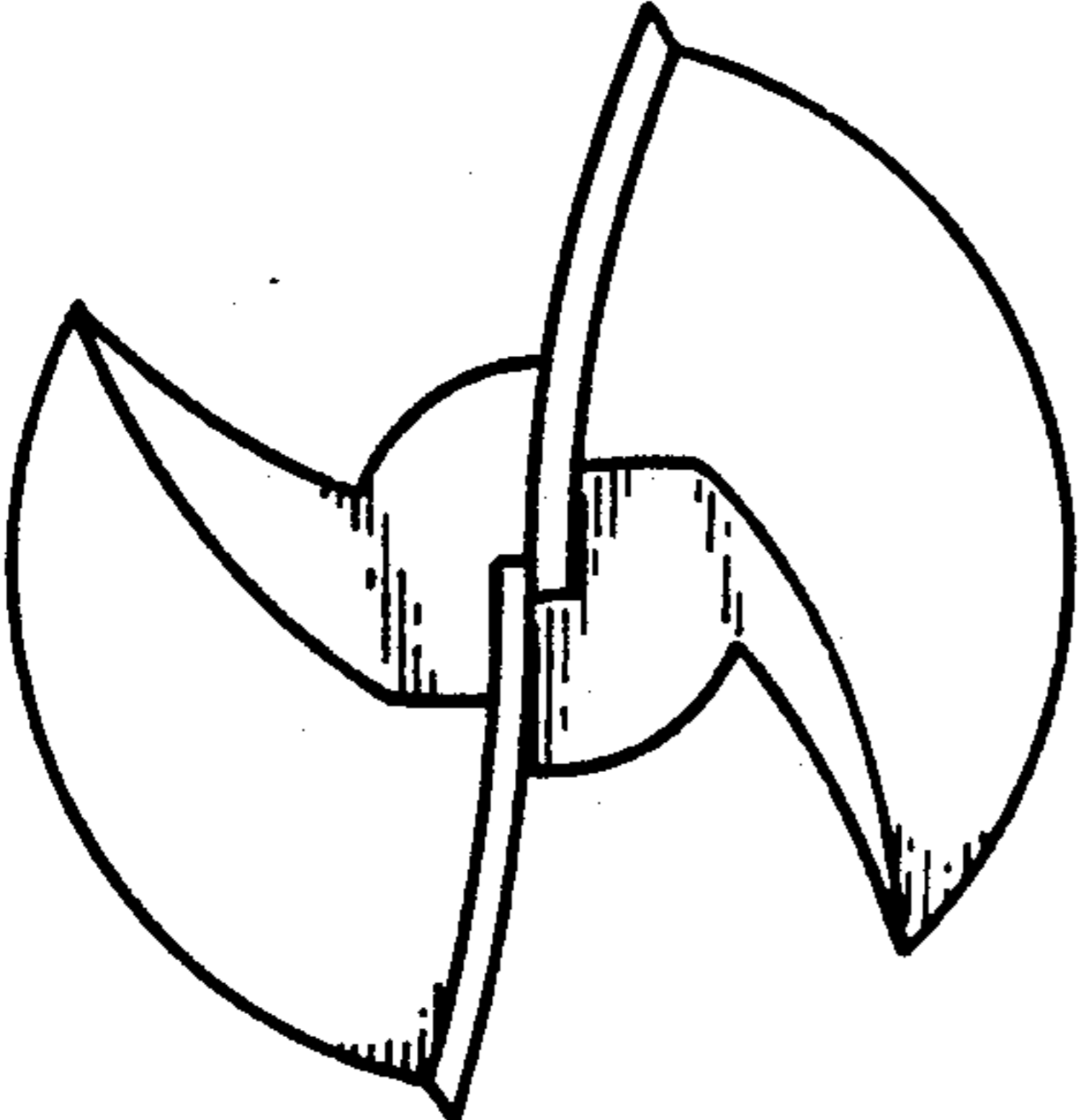


FIG. 2

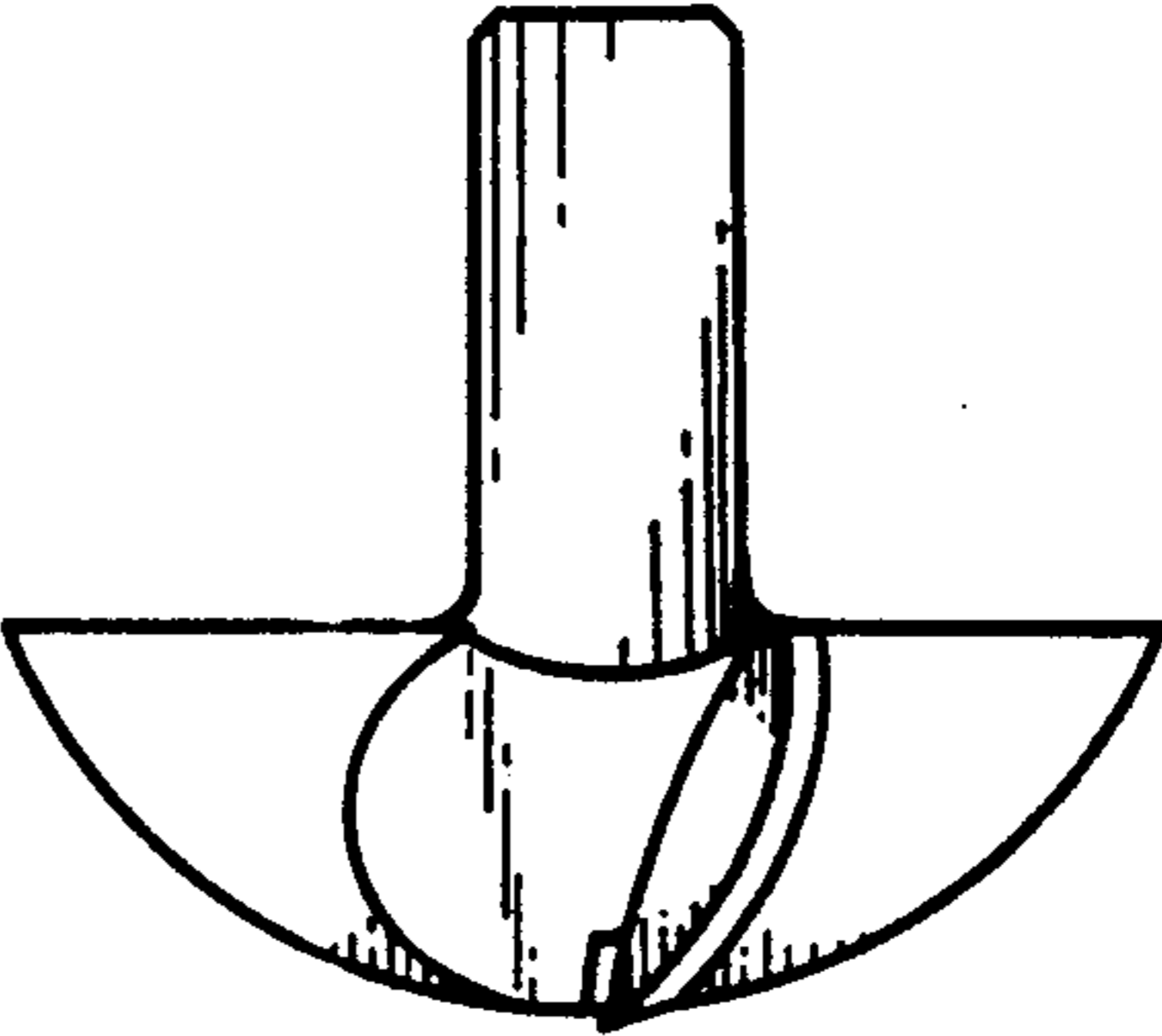


FIG. 3

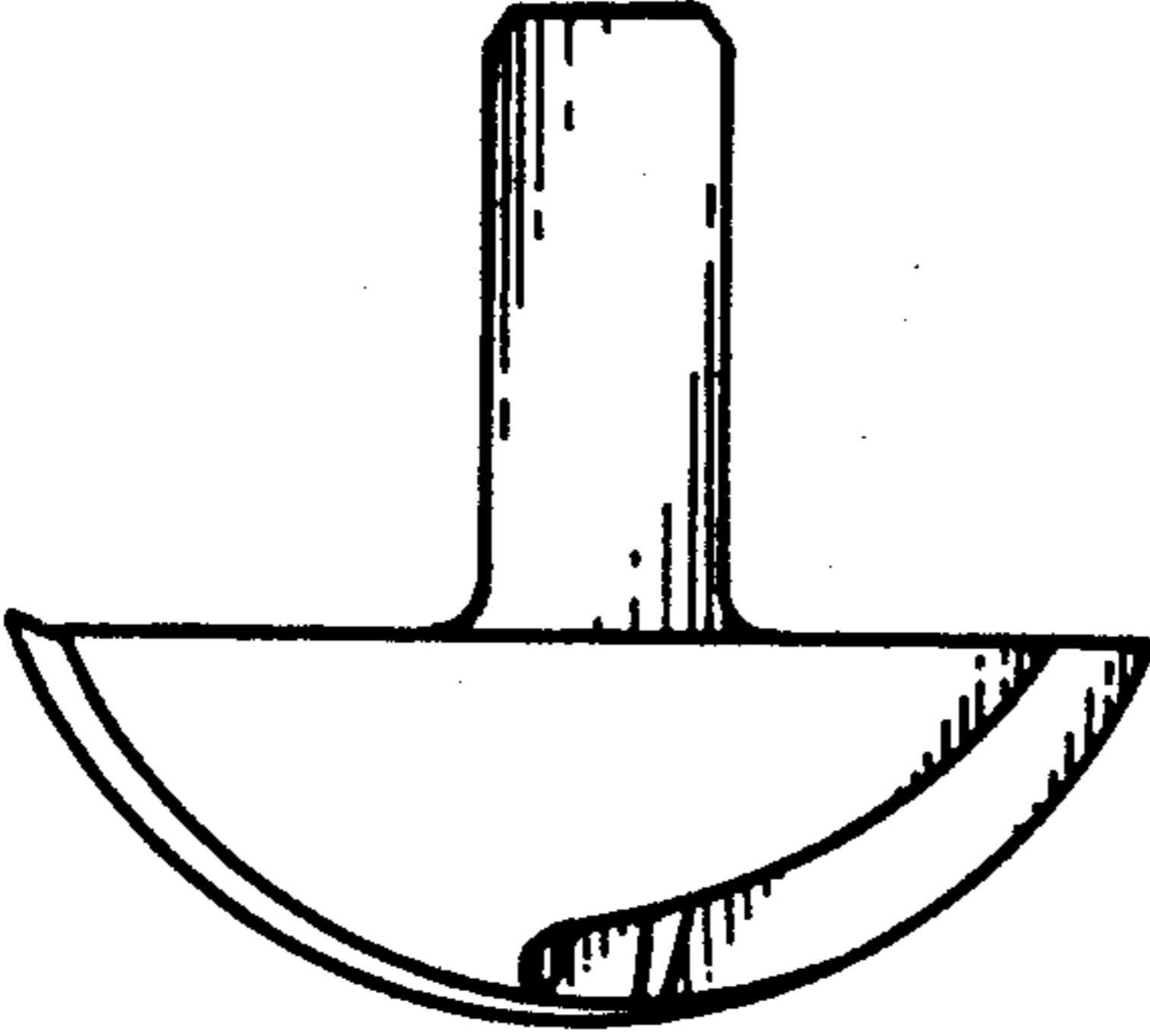


FIG. 4

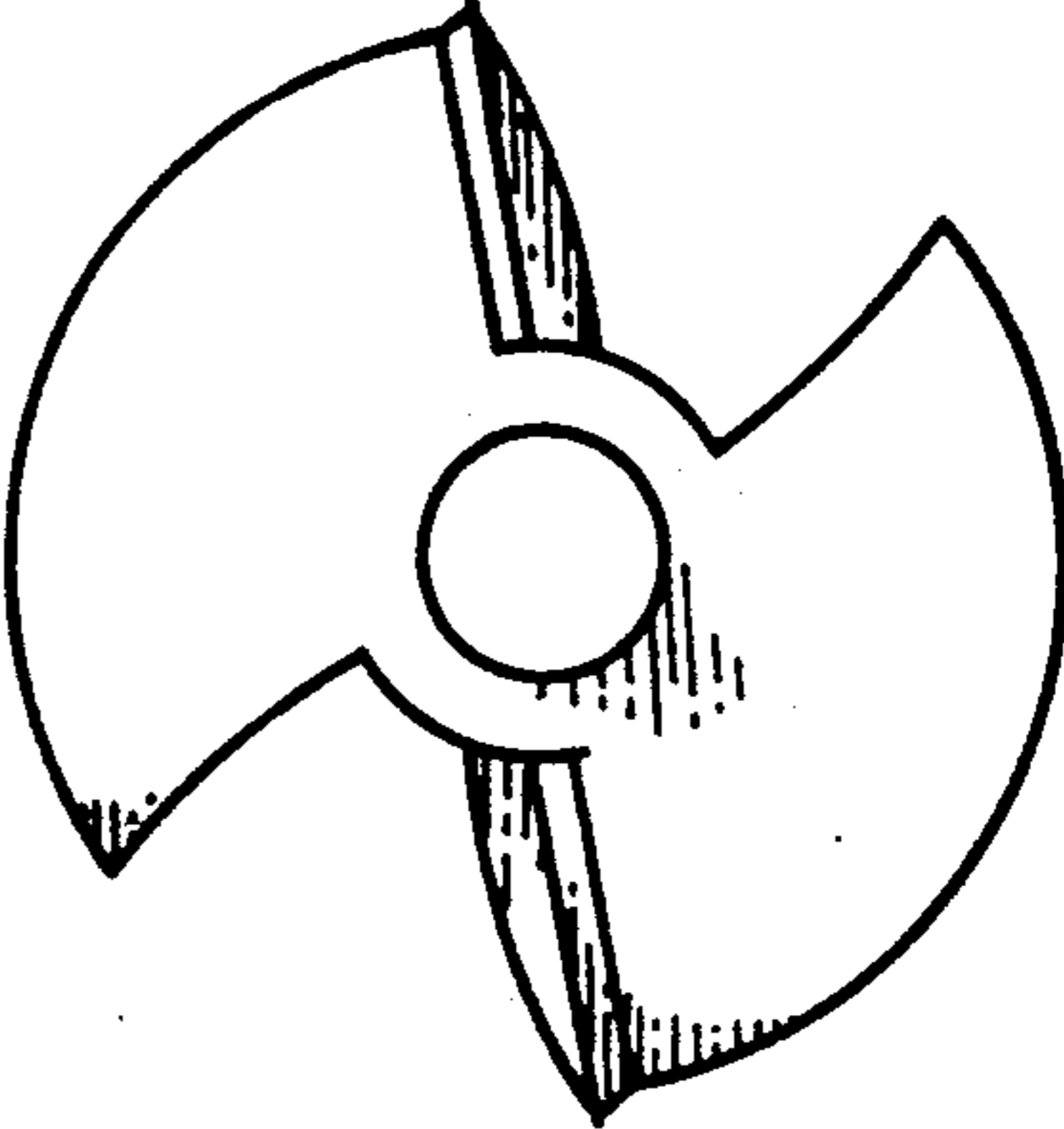


FIG. 5