



US00D338212S

United States Patent [19]

[11] Patent Number: **Des. 338,212**

Corsi

[45] Date of Patent: **** Aug. 10, 1993**

[54] CABIN AUTOMATIC TOOL MACHINE

[75] Inventor: Armando Corsi, Piacenza, Italy

[73] Assignee: JOBS S.p.A., Piacenza, Italy

[**] Term: 14 Years

[21] Appl. No.: 664,649

[22] Filed: Mar. 4, 1991

[30] Foreign Application Priority Data

Sep. 11, 1990 [IT] Italy 33516/90[U]

[52] U.S. Cl. D15/131

[58] Field of Search D10/46, 63; D15/127, D15/131; 33/1 M, 1 N, 18.1, 18.3, 25.1, 25.2, 25.3, 25.4, 25.5

[56] References Cited

U.S. PATENT DOCUMENTS

D. 309,146 7/1990 Nemetz D15/131

D. 319,834	9/1991	Rütschle	D15/131
D. 328,467	8/1992	Maleschew	D15/131
3,466,974	9/1969	Stuart et al.	33/25.3 X
3,555,690	1/1971	Matthey	33/25.3 X
4,797,989	1/1989	Cherko	29/568

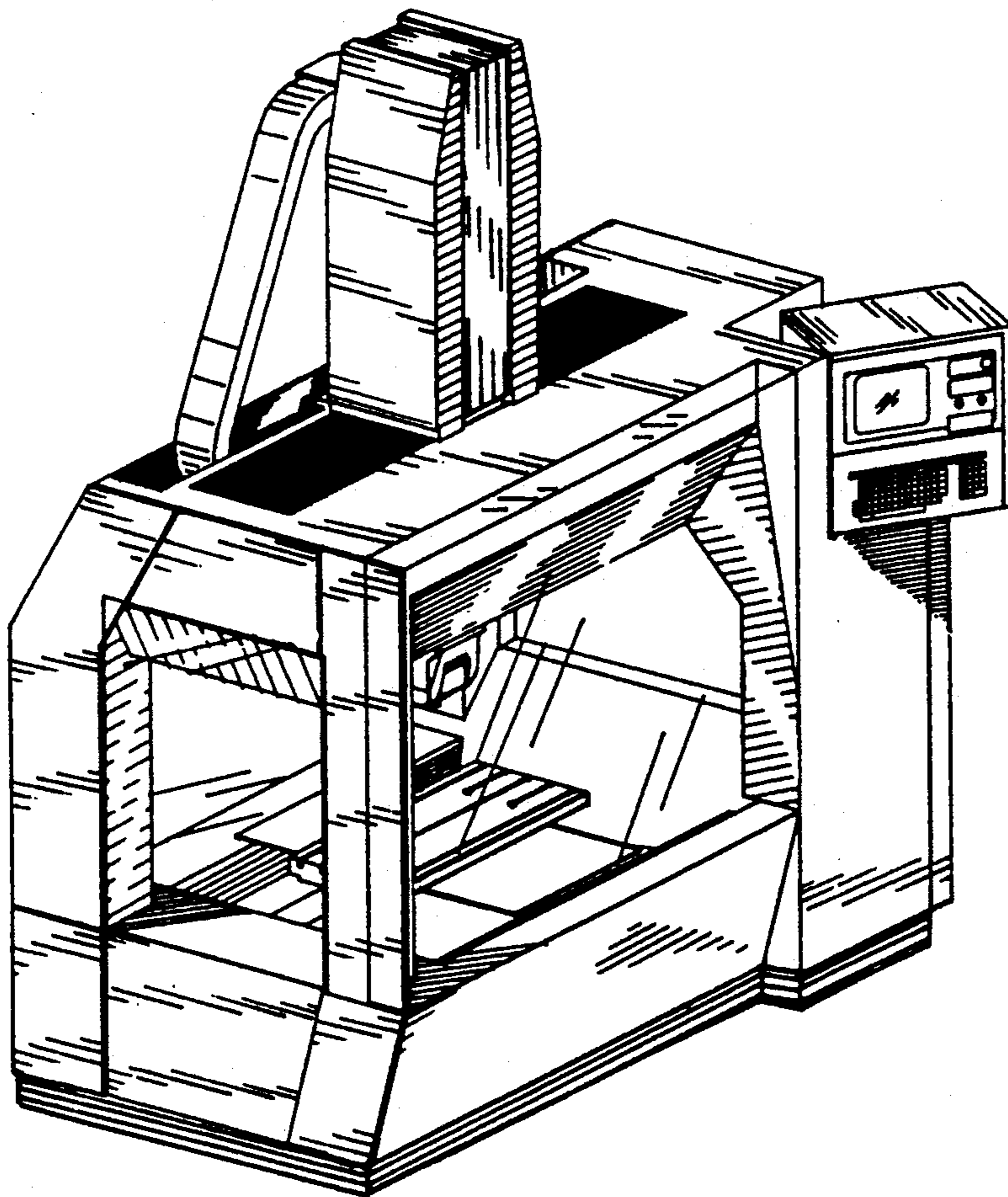
Primary Examiner—Alan P. Douglas
Assistant Examiner—A. D. Davis
Attorney, Agent, or Firm—Notaro & Michalos

[57] CLAIM

The ornamental design for a cabin automatic tool machine, as shown and described.

DESCRIPTION

FIG. 1 is a top, left, front perspective view of a cabin automatic tool machine showing my new design; FIG. 2 is a top plan view thereof; FIG. 3 is a front elevational view thereof; FIG. 4 is a left side elevational view thereof; FIG. 5 is a right side elevational view thereof; and, FIG. 6 is a rear elevational view thereof.



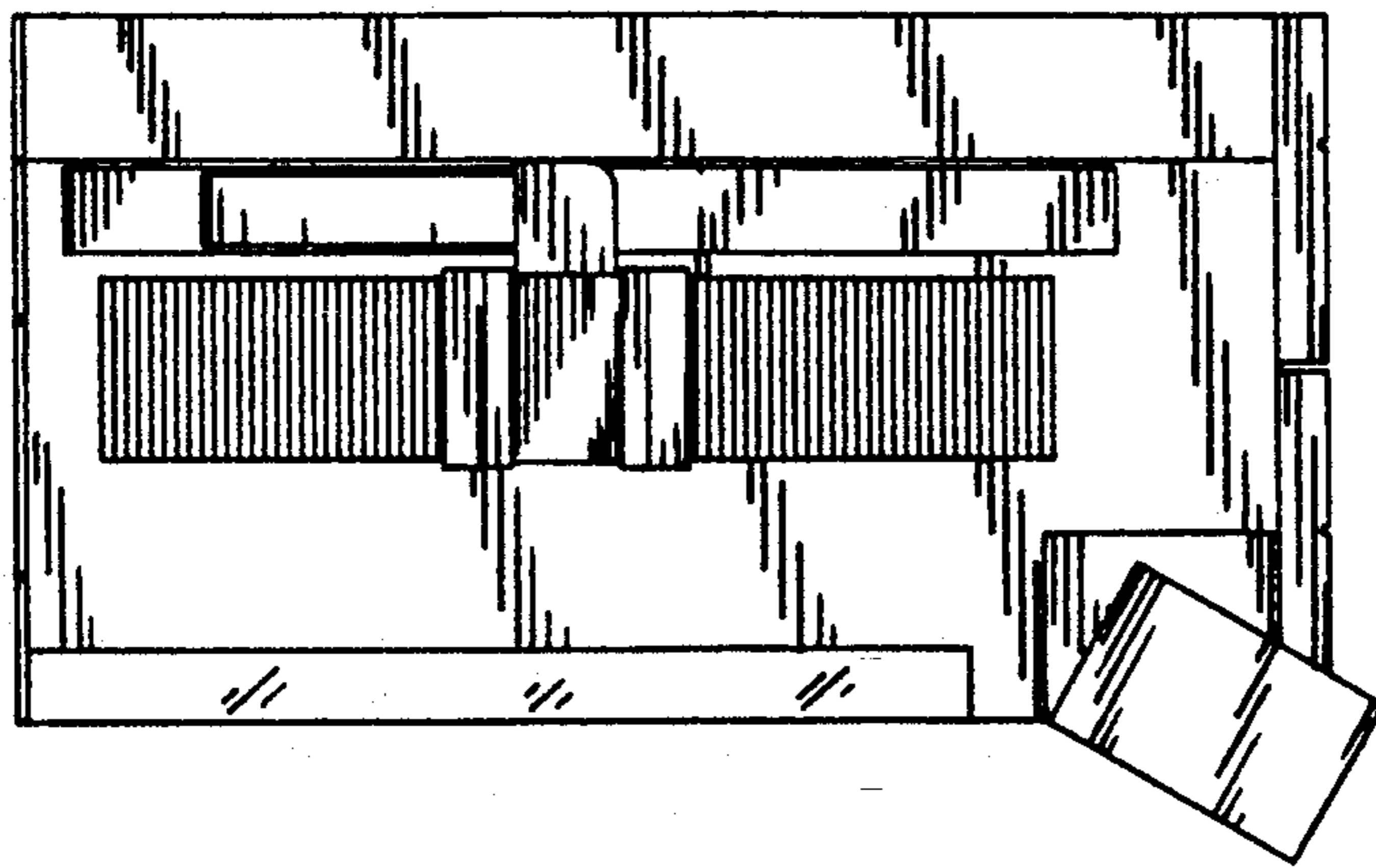


FIG. 2

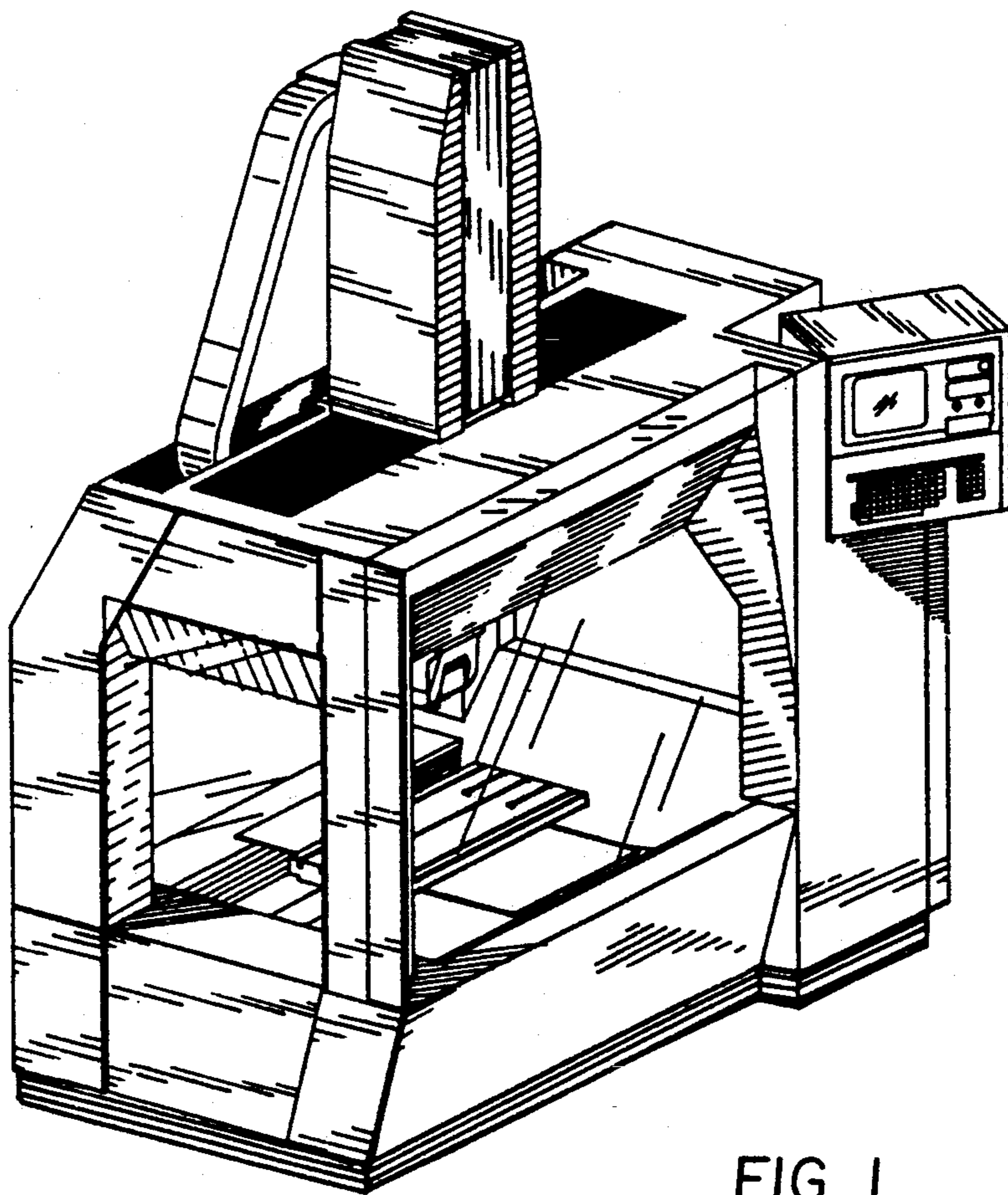


FIG. 1

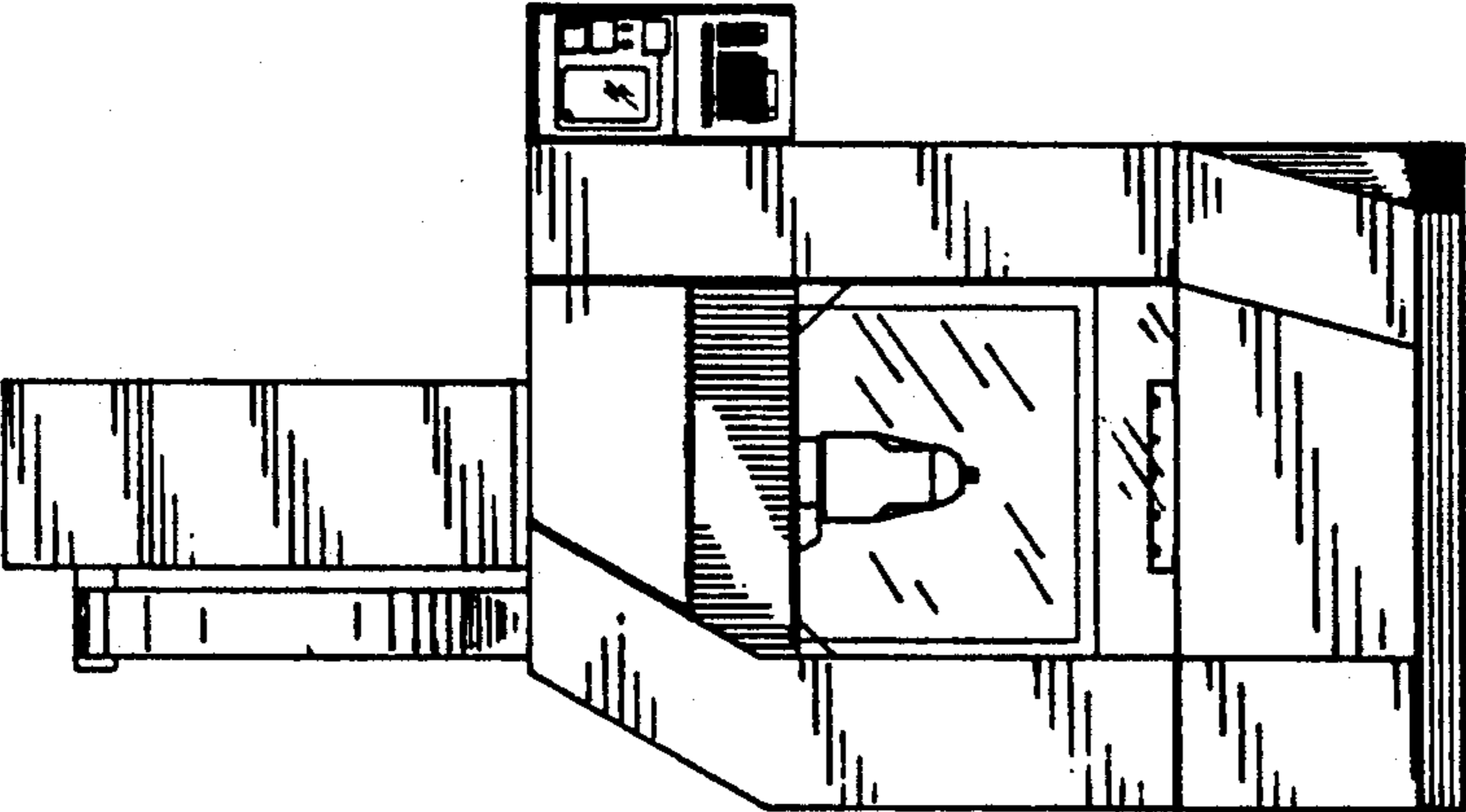


FIG. 4

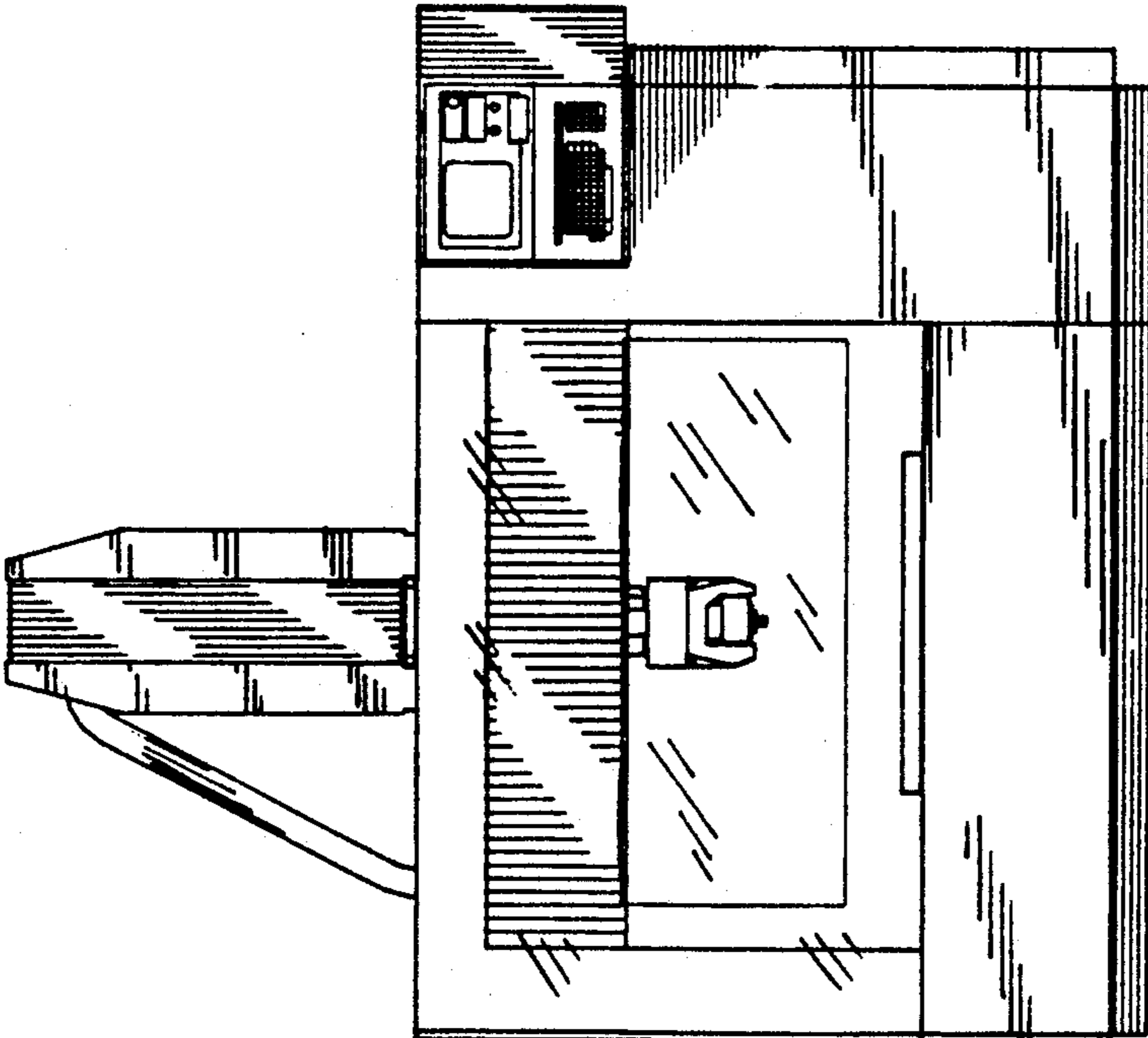


FIG. 3

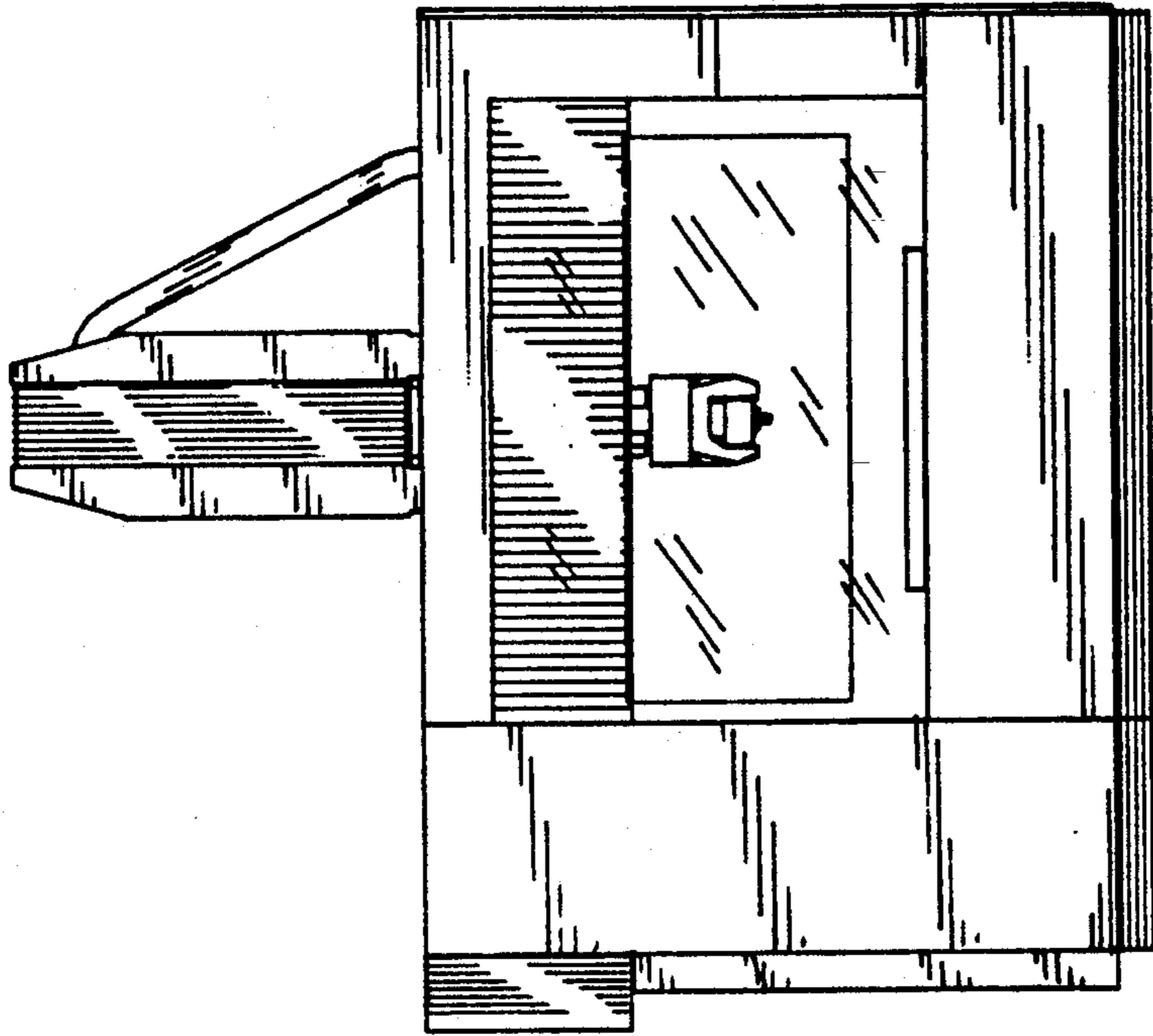


FIG. 6

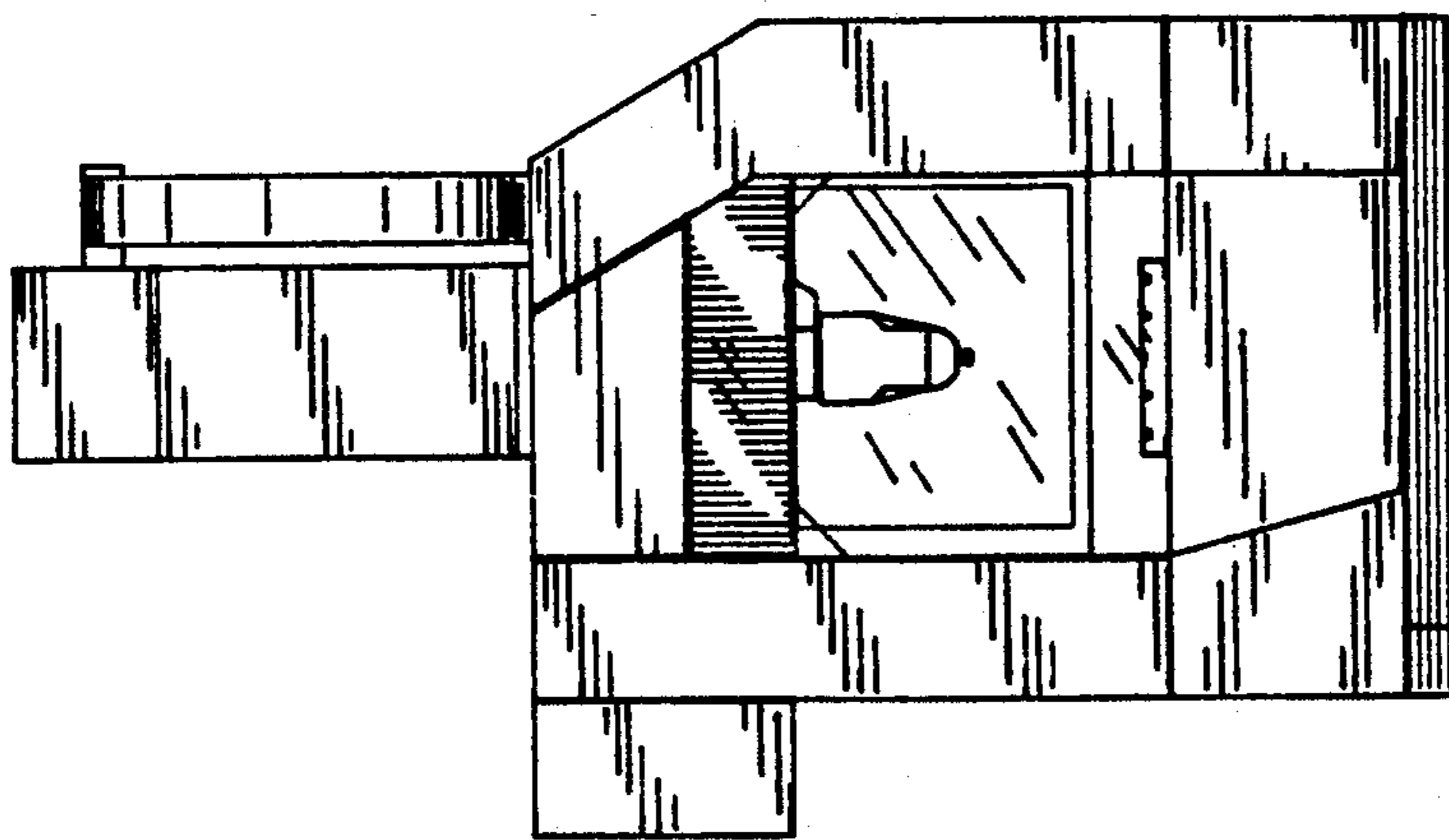


FIG. 5