



US00D338208S

United States Patent [19]

[11] Patent Number: Des. 338,208

Reents et al.

[45] Date of Patent: ** Aug. 10, 1993

[54] TURBINE UNIT

4,072,429	2/1978	Terzian et al.	401/146
4,639,156	1/1987	Stern et al.	401/146
4,790,679	12/1988	Murphy	401/146
5,071,278	12/1991	Chen	401/146

[75] Inventors: Terry R. Reents; Scott T. Mehring, both of Burnsville, Minn.

[73] Assignee: Wagner Spray Tech Corporation, Minneapolis, Minn.

Primary Examiner—A. Hugo Word
Assistant Examiner—R. Seifert
Attorney, Agent, or Firm—Faegre & Benson

[**] Term: 14 Years

[57] CLAIM

[21] Appl. No.: 712,242

The ornamental design for a turbine unit, as shown and described.

[22] Filed: Jun. 7, 1991

[52] U.S. Cl. D15/9; D15/7

[58] Field of Search D15/7, 8, 9; 366/605; 417/234; 401/196, 197, 203, 204, 218, 219

DESCRIPTION

[56] References Cited

U.S. PATENT DOCUMENTS

D. 243,690	3/1977	Doyel	D15/7 X
D. 289,402	4/1987	Carlson	D15/7
D. 290,126	6/1987	Krapowicz	D15/7
D. 294,147	2/1988	Charney et al.	D15/7
D. 327,274	6/1992	Matré et al.	D15/7

FIG. 1 is a perspective view of a turbine unit showing my new design, the broken line showing of a spray gun is for illustrative purposes only and forms no part of the claim design;

FIG. 2 is a left side elevational view thereof;

FIG. 3 is a rear elevational view thereof;

FIG. 4 is a front elevational view thereof;

FIG. 5 is a top plan view thereof;

FIG. 6 is a bottom plan view thereof; and,

FIG. 7 is a right side elevational view thereof.

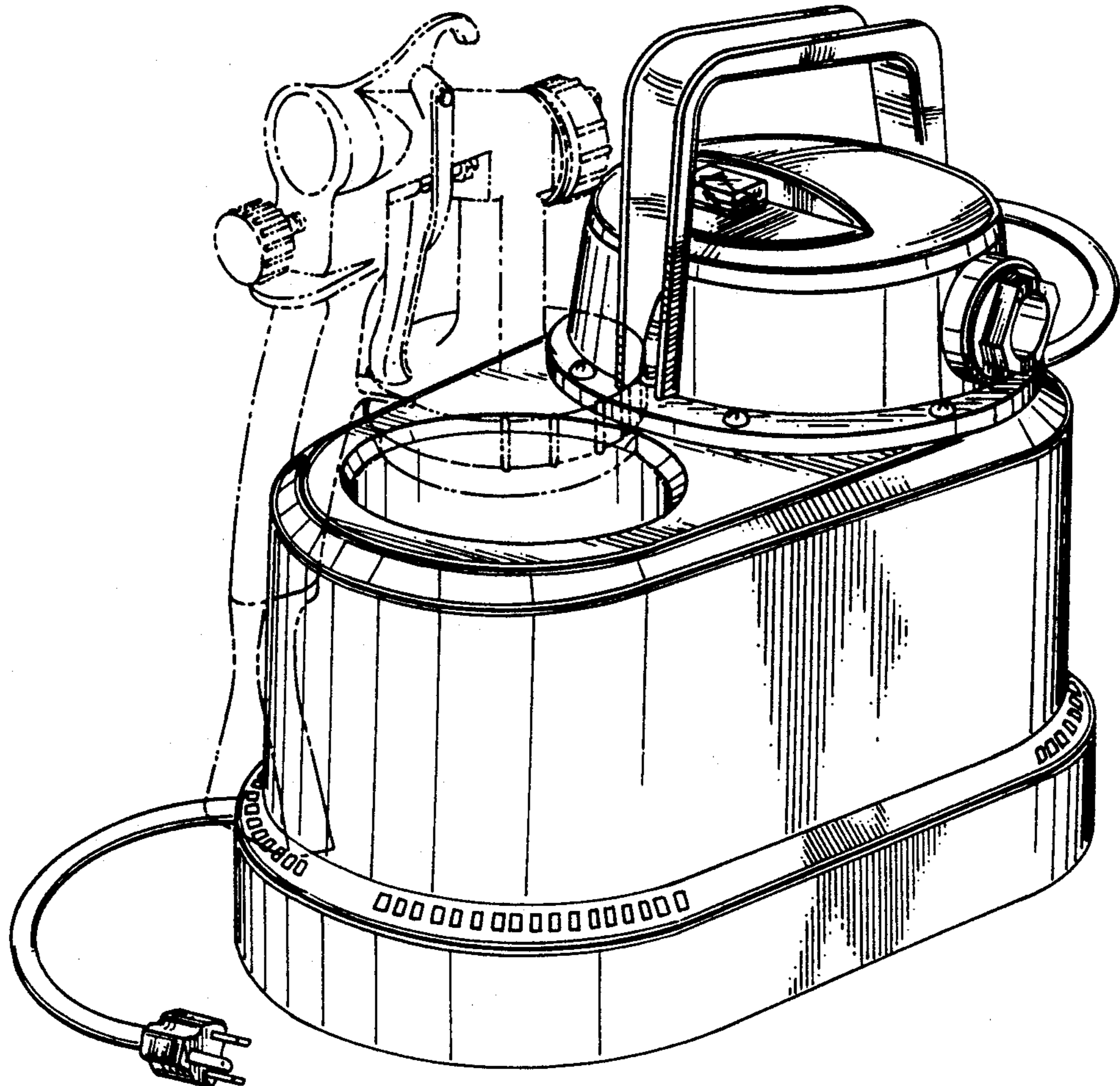


Fig. 1

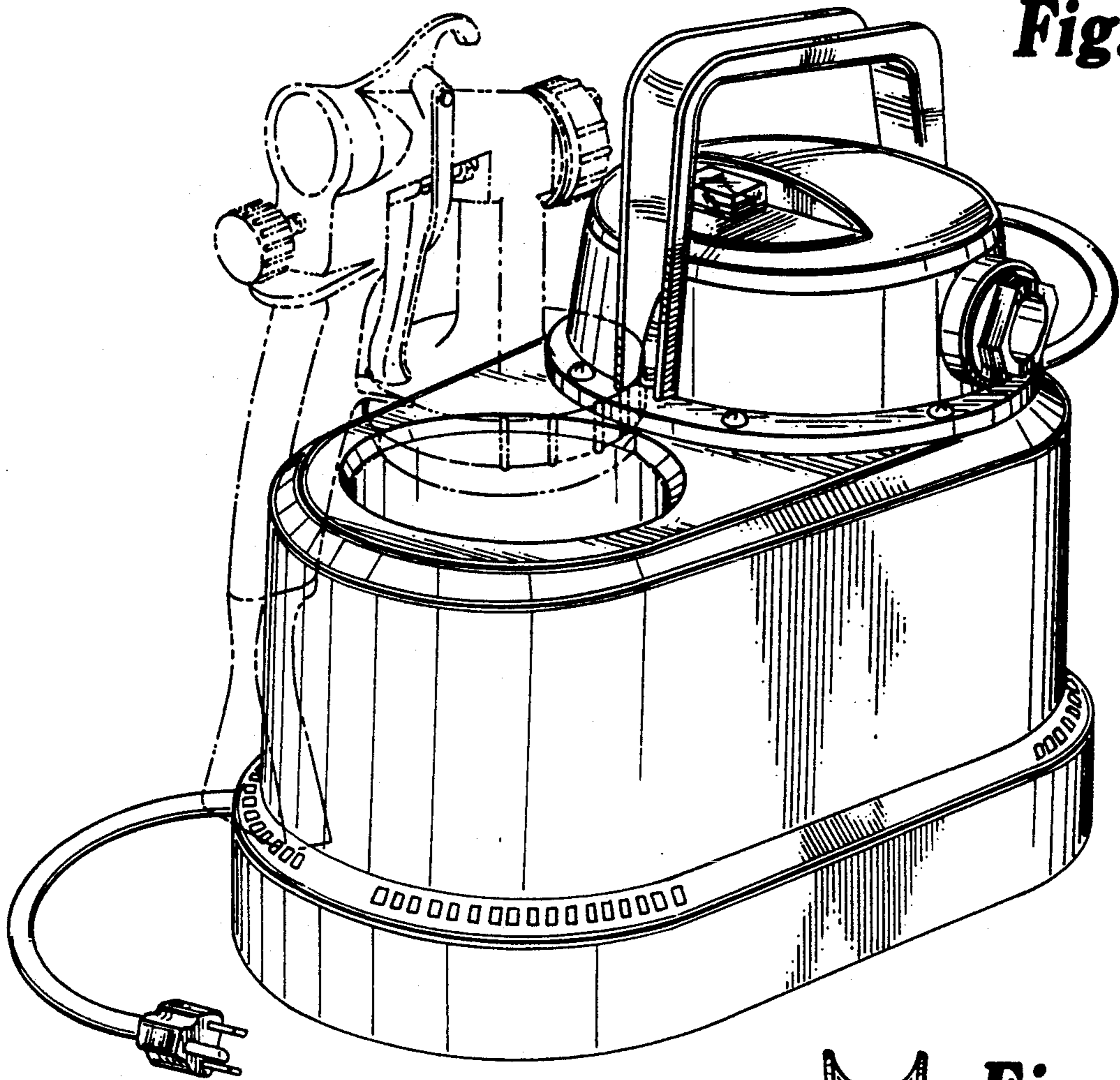


Fig. 2

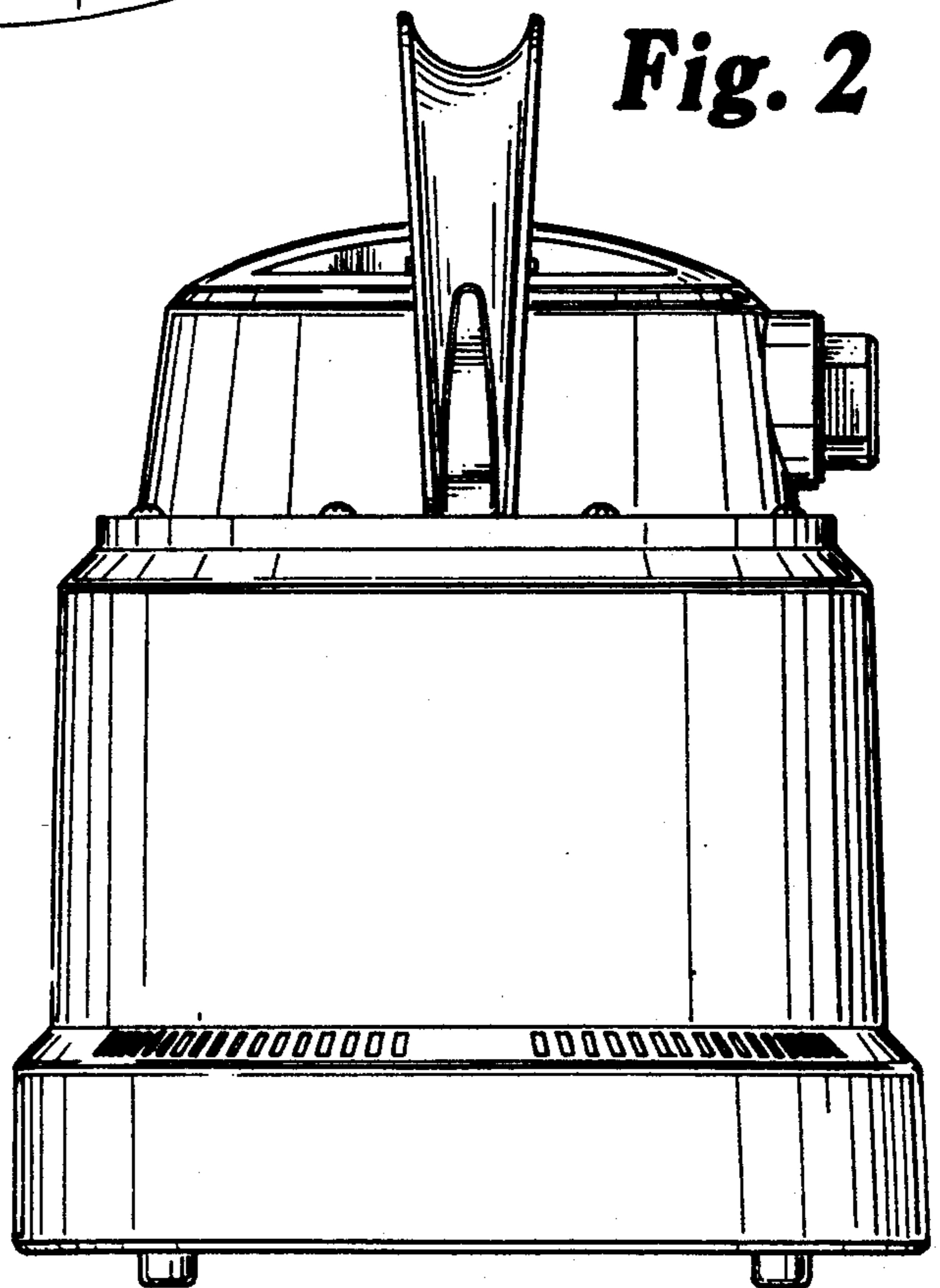


Fig. 3

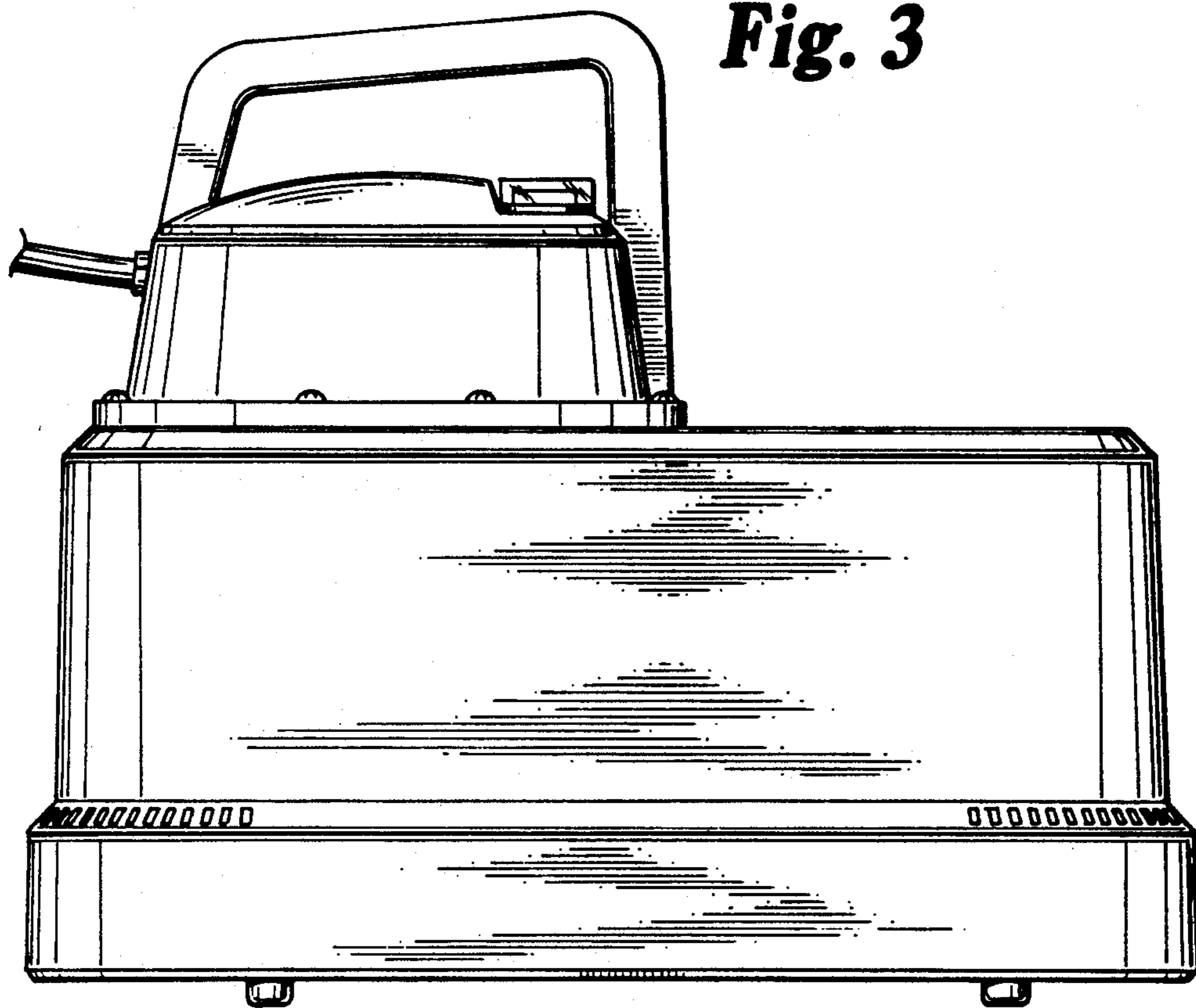


Fig. 4

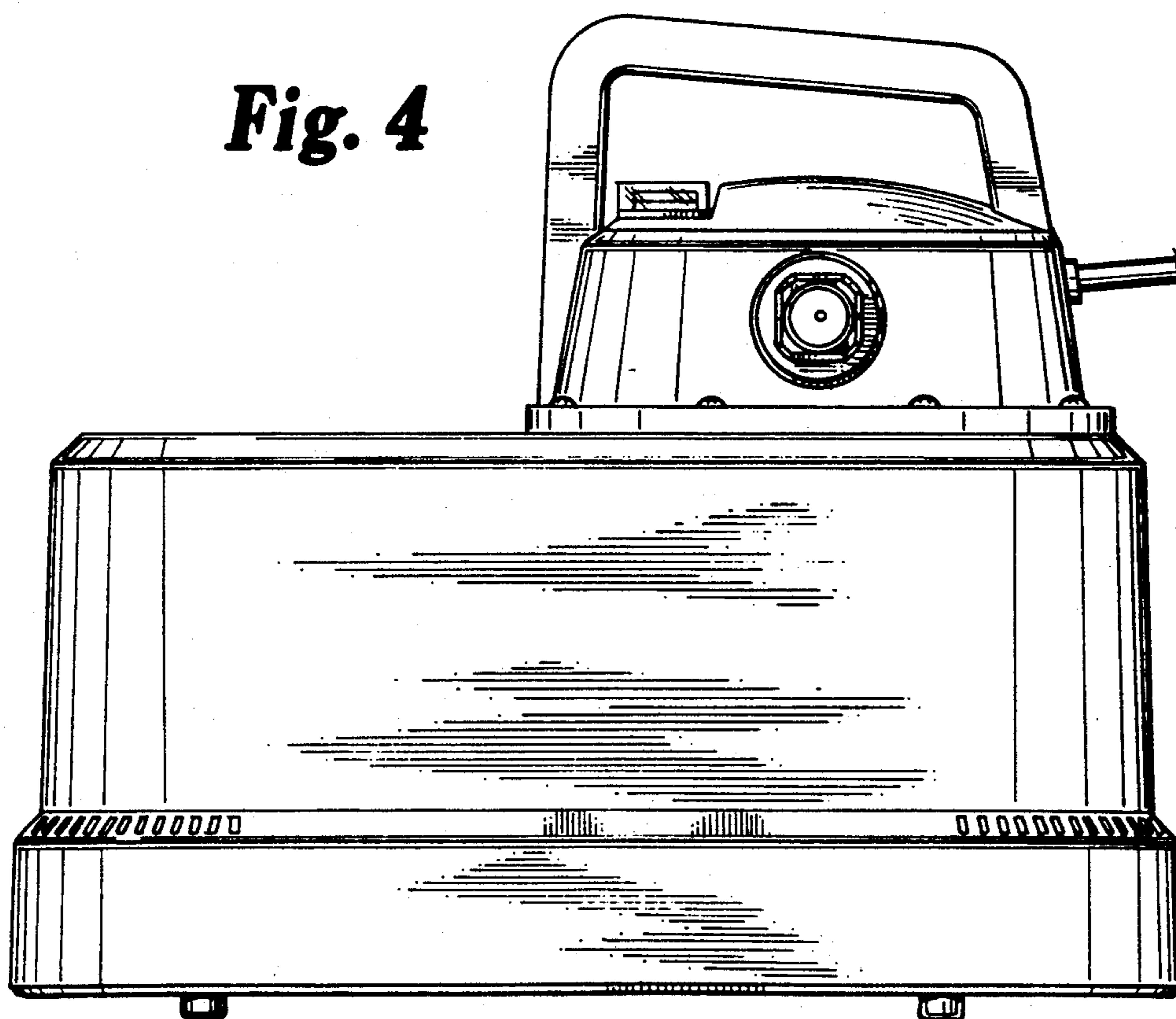


Fig. 5

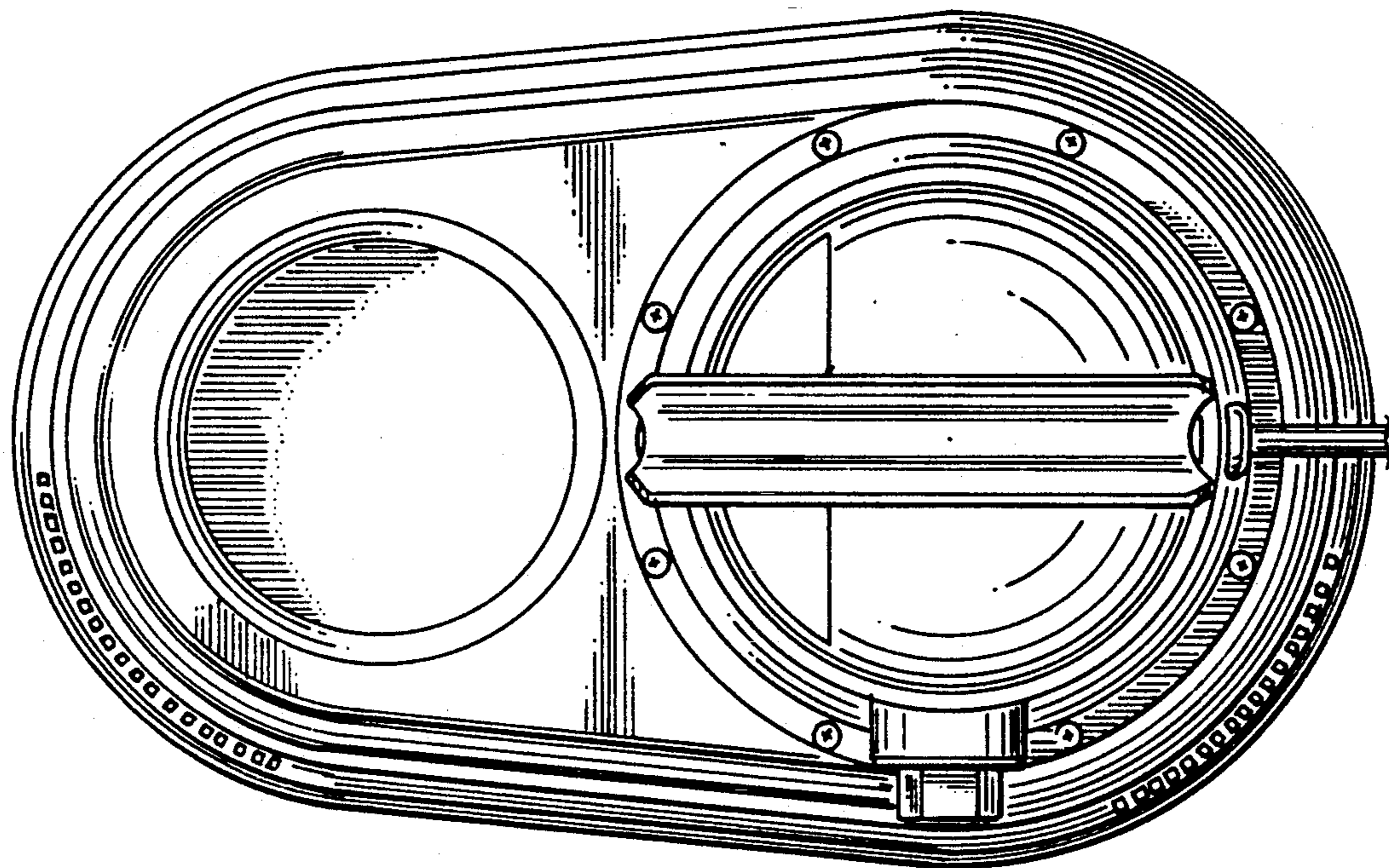


Fig. 6

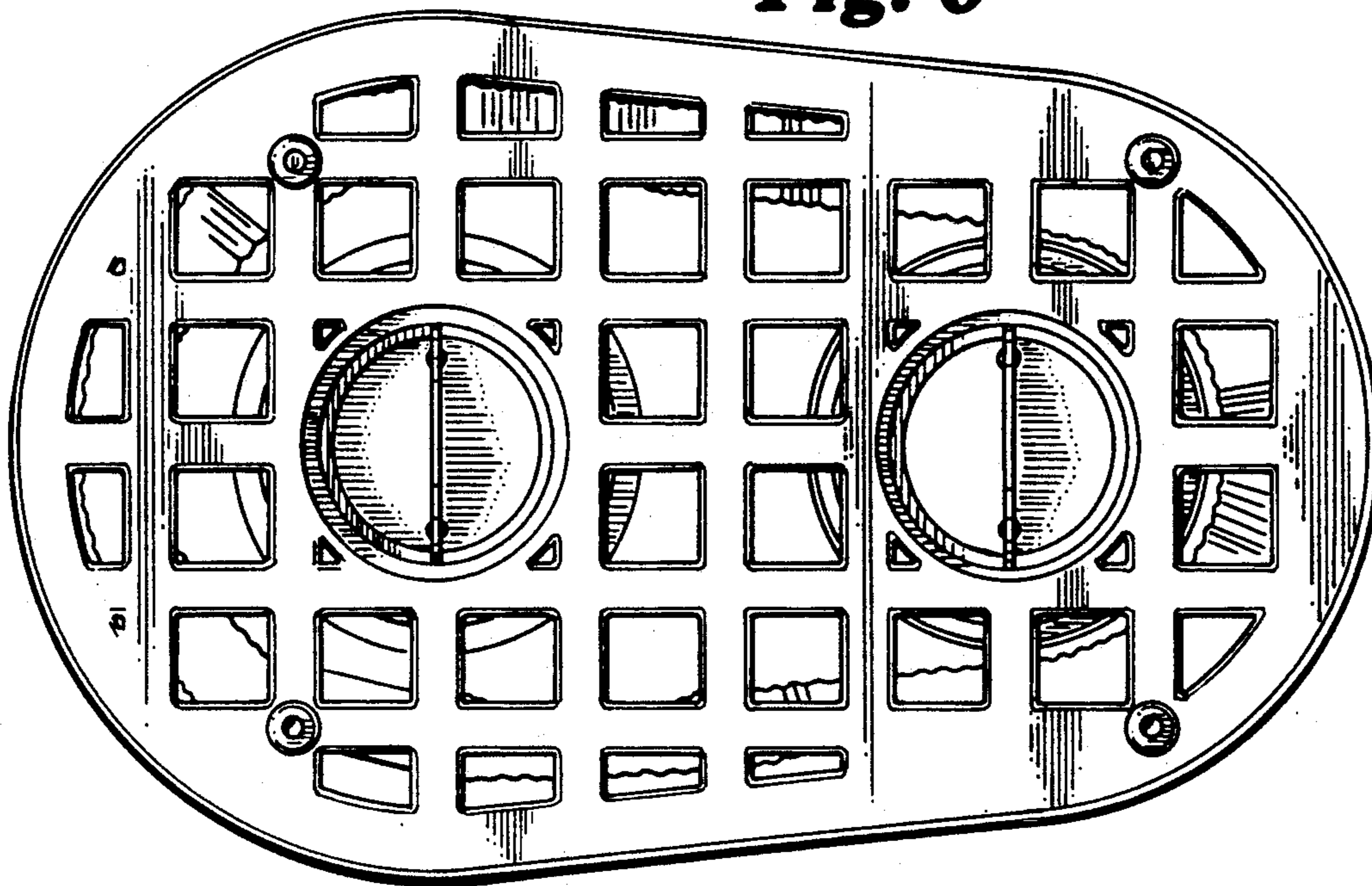


Fig. 7

