



US00D338205S

United States Patent [19]

Egashira et al.

[11] Patent Number: **Des. 338,205**

[45] Date of Patent: **** Aug. 10, 1993**

[54] **ANTENNA FOR AUTOMOBILES**

[75] Inventors: **Yoshimi Egashira; Hiroyuki Touyama**, both of Tokyo, Japan

[73] Assignee: **Harada Ind. Co., Ltd.**, Tokyo, Japan

[**] Term: **14 Years**

[21] Appl. No.: **561,591**

[22] Filed: **Aug. 1, 1990**

[30] **Foreign Application Priority Data**

Feb. 2, 1990 [JP] Japan 2-2783

[52] U.S. Cl. **D14/230; D14/234**

[58] Field of Search **D14/230-238, D14/124, 217, 219; 343/711-713, 715, 872, 900, 906, 741, 748, 882, 720, 808, 805, 878, 795, 912, 873, 745, 749, 901, 903**

[56] **References Cited**

U.S. PATENT DOCUMENTS

- D. 130,434 11/1941 Martin D14/234
- D. 325,914 5/1992 Tezuka D14/230
- 2,850,305 9/1958 Chadowski et al. 343/711 X

- 4,649,398 3/1987 Yamamoto et al. 343/903
- 4,721,965 1/1988 Elliott 343/903 X
- 4,847,629 7/1989 Shimazaki 343/715 X

OTHER PUBLICATIONS

Fordham 1987 Catalog, p. 139, top right—Harada antenna models XMX-2 and XMT-2.

Primary Examiner—Theodore M. Shooman
Attorney, Agent, or Firm—Bacon & Thomas

[57] **CLAIM**

The ornamental design for antenna for automobiles, as shown.

DESCRIPTION

FIG. 1 is a front and right side perspective view of antenna for automobiles showing our new design; FIG. 2 is a front elevational view thereof; FIG. 3 is a right side elevational view thereof; FIG. 4 is a top plan view thereof; FIG. 5 is a bottom plan view thereof; FIG. 6 is a left side elevational view thereof; FIG. 7 is a rear elevational view thereof; and, FIG. 8 is a reduced front elevational view thereof, with the antenna rod extended.

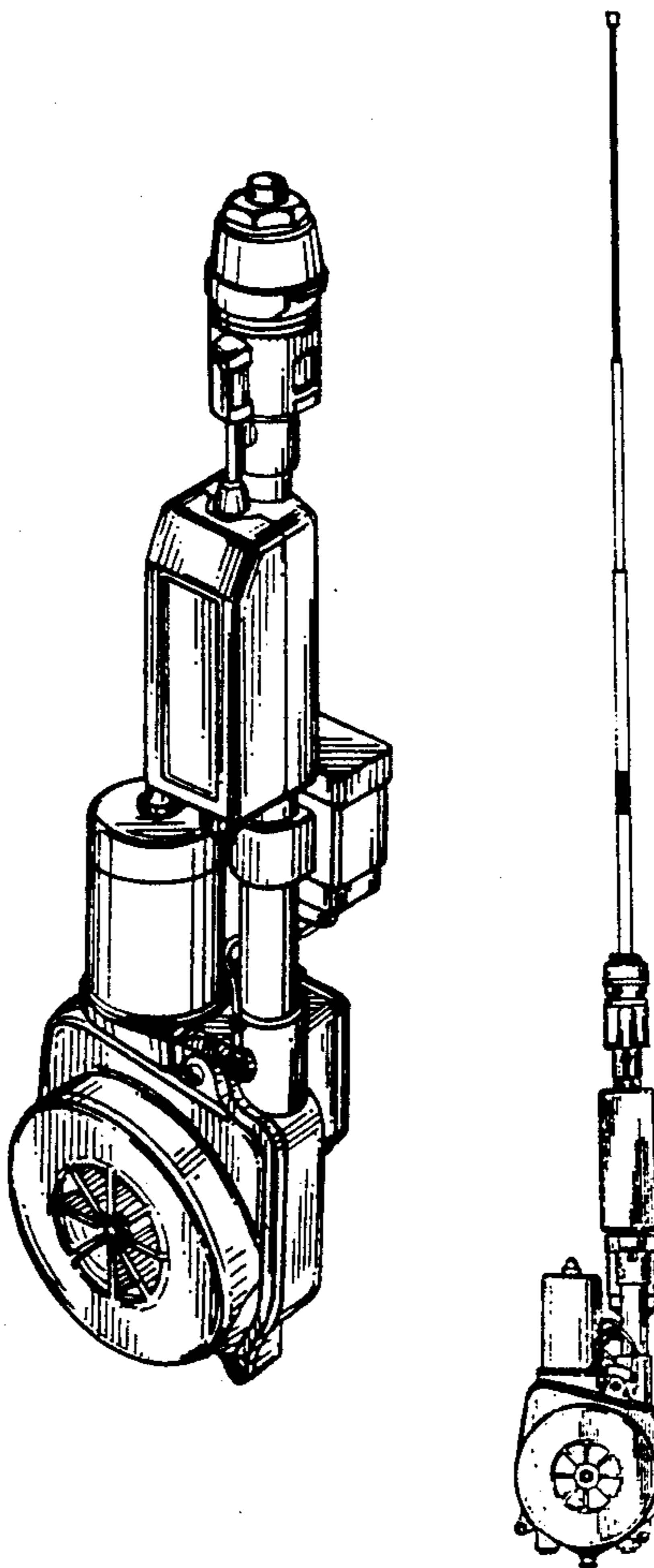


FIG. 1

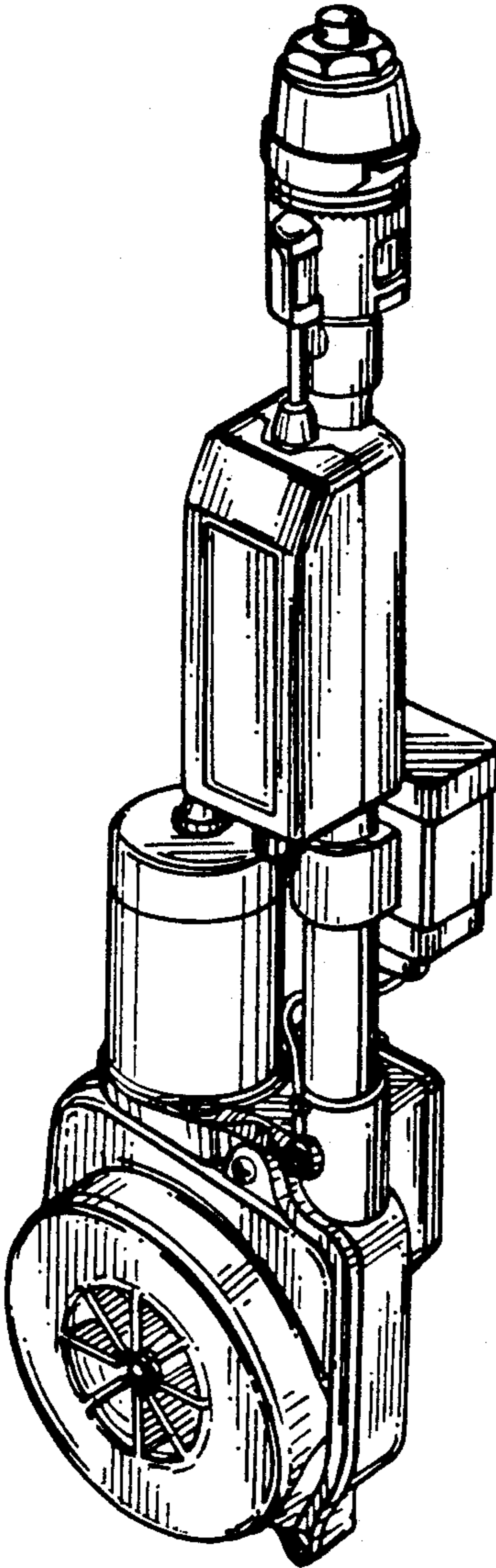


FIG. 2

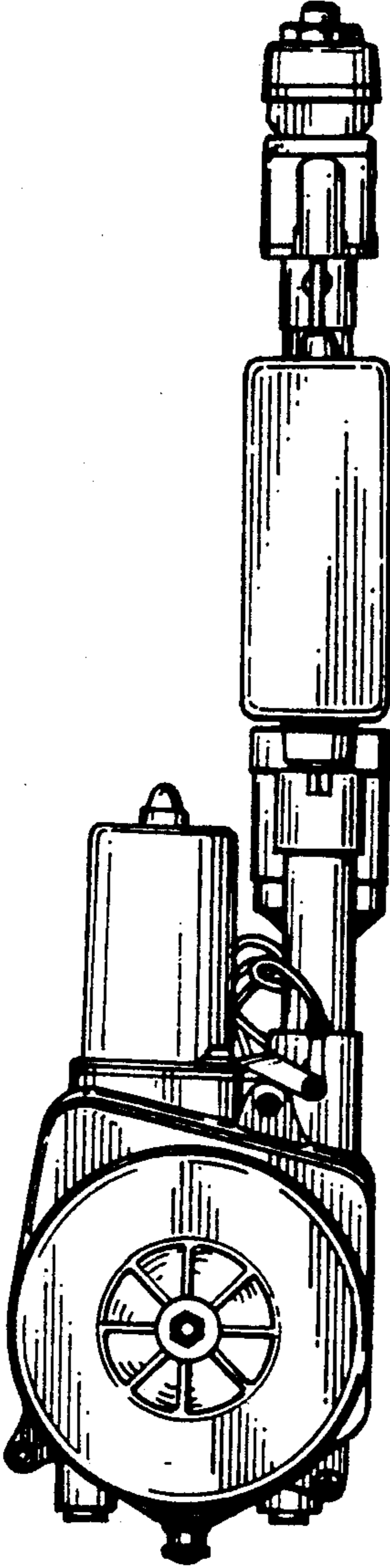


FIG. 3

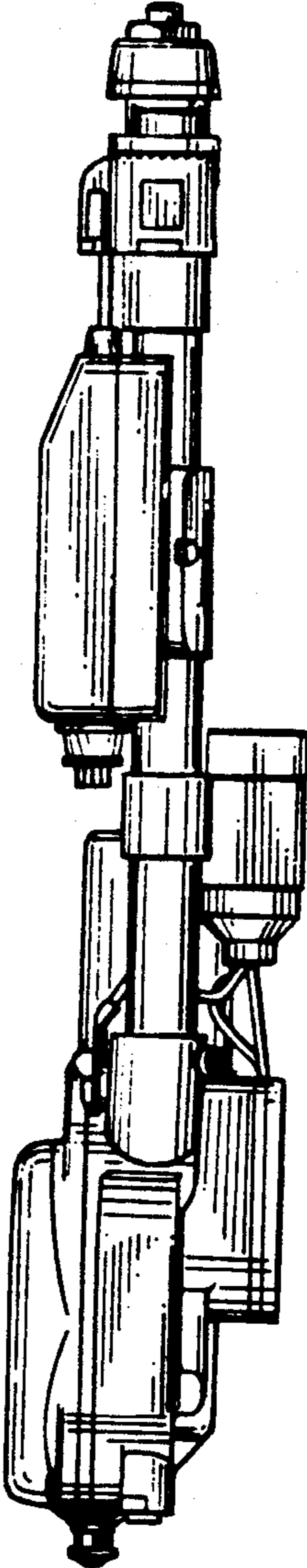


FIG. 4

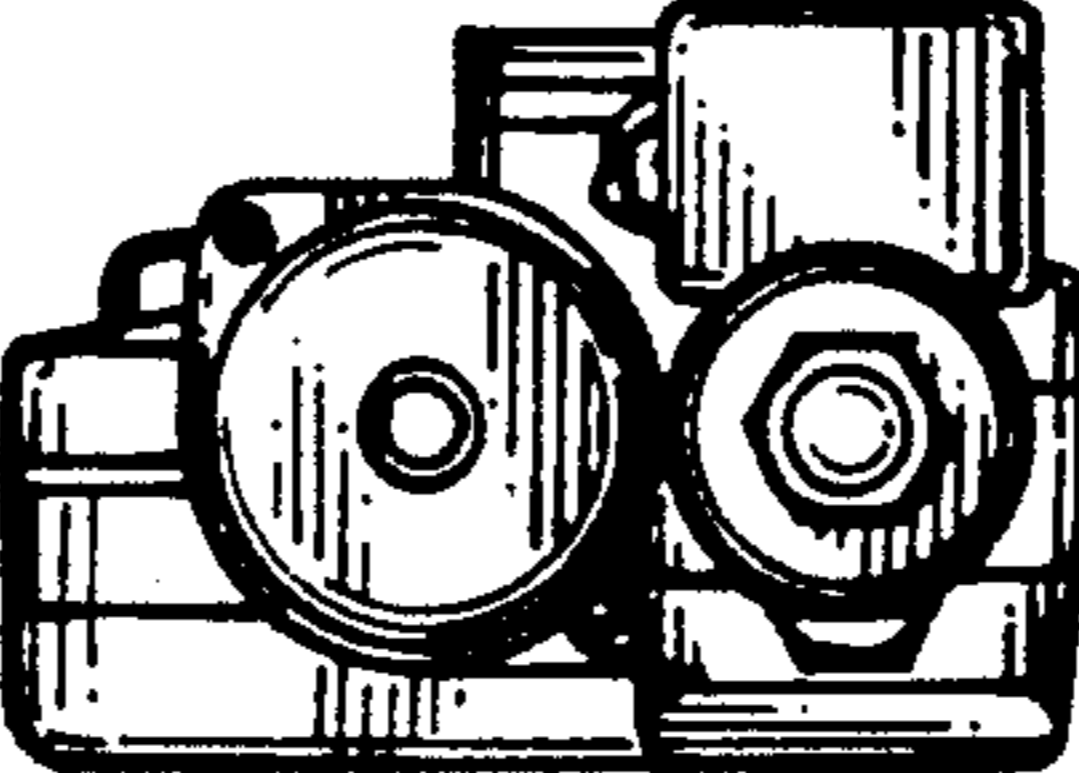


FIG. 5

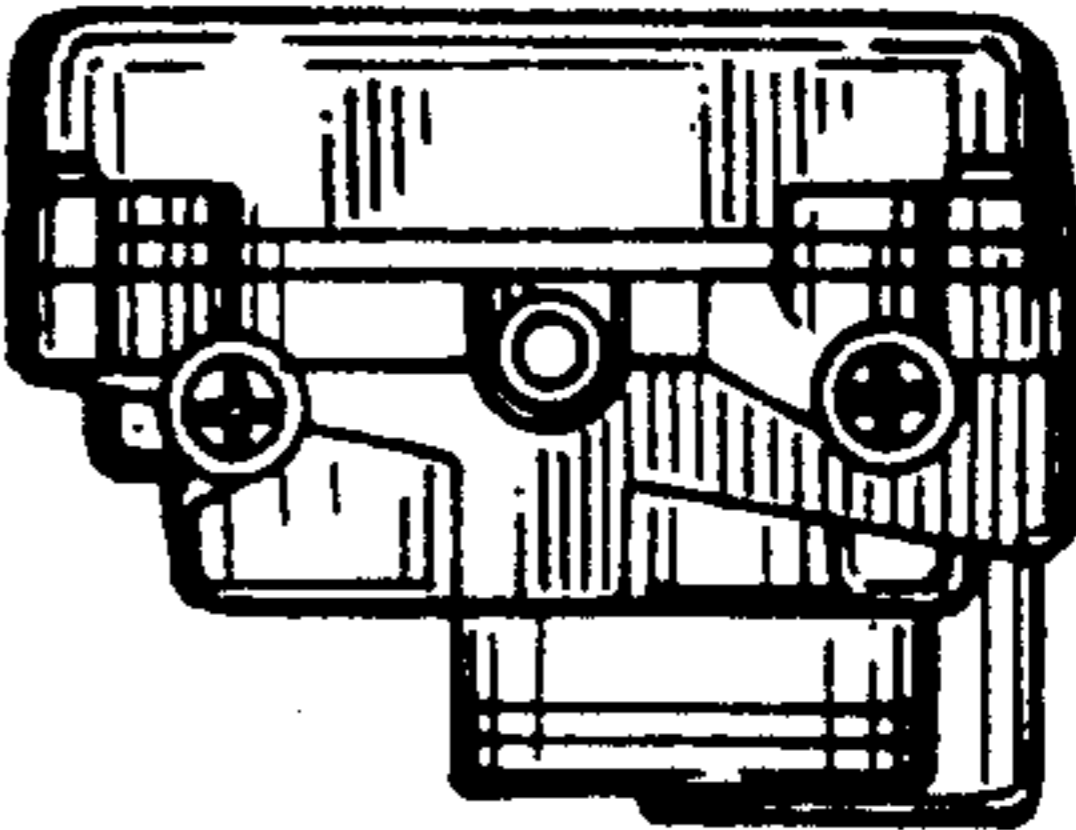


FIG. 6

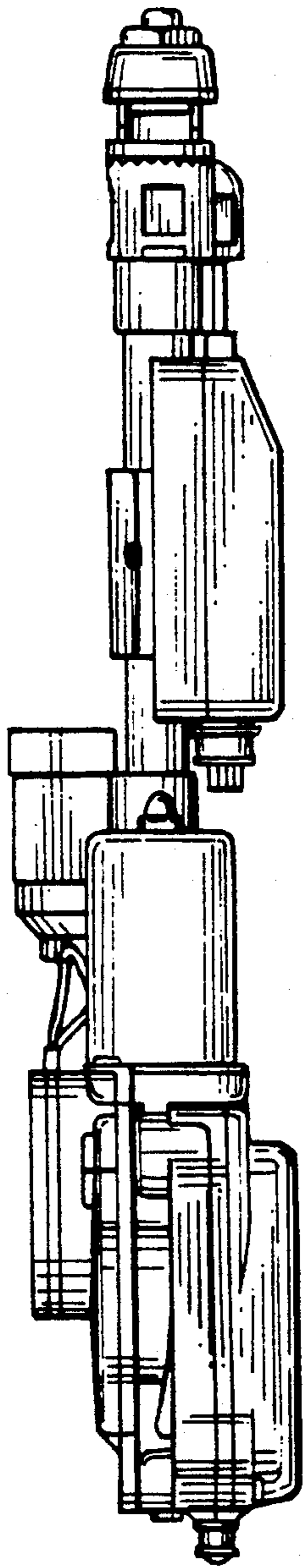


FIG. 7

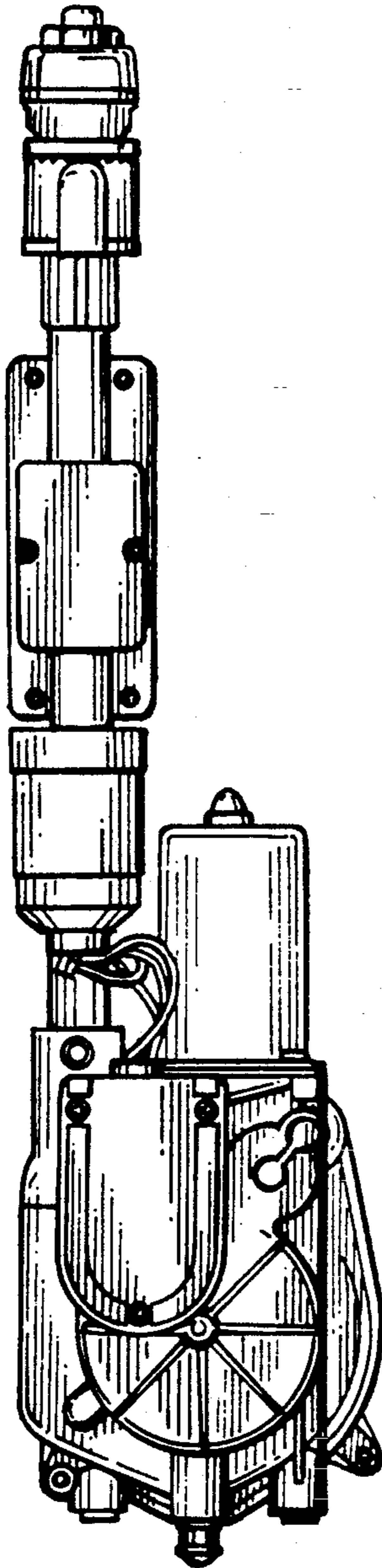


FIG. 8

