



US00D338203S

United States Patent [19]

[11] Patent Number: Des. 338,203

Yuen et al.

[45] Date of Patent: ** Aug. 10, 1993

[54] COMBINED VCR AND CABLE BOX CONTROLLER

[75] Inventors: Henry C. Yuen, Pasadena; Daniel S. Kwoh, Rolling Hills Estates, both of Calif.

[73] Assignee: Gemstar Development Corporation, Pasadena, Calif.

[**] Term: 14 Years

[21] Appl. No.: 612,279

[22] Filed: Nov. 13, 1990

[52] U.S. Cl. D14/218

[58] Field of Search D14/100, 114, 138, 157, D14/218; D13/168

[56] References Cited

U.S. PATENT DOCUMENTS

- D. 288,199 2/1987 Stoddard et al. D14/157
- D. 307,890 5/1990 Kim D14/100
- D. 323,816 2/1992 Büchin D14/100

OTHER PUBLICATIONS

NEC Catalog; "Portable Terminal N6919"; Aug. 1985.

Primary Examiner—Bernard Ansher

Assistant Examiner—Mitchell I. Siegel

Attorney, Agent, or Firm—Christie, Parker & Hale

[57] CLAIM

The ornamental design for combined VCR and cable box controller, as shown and described.

DESCRIPTION

FIG. 1 is a top, front and left side perspective view of a combined VCR and cable box controller showing our new design;

FIG. 2 is a top, front and left side perspective view shown in an alternate position thereof;

FIG. 3 is a top plan view of FIG. 1;

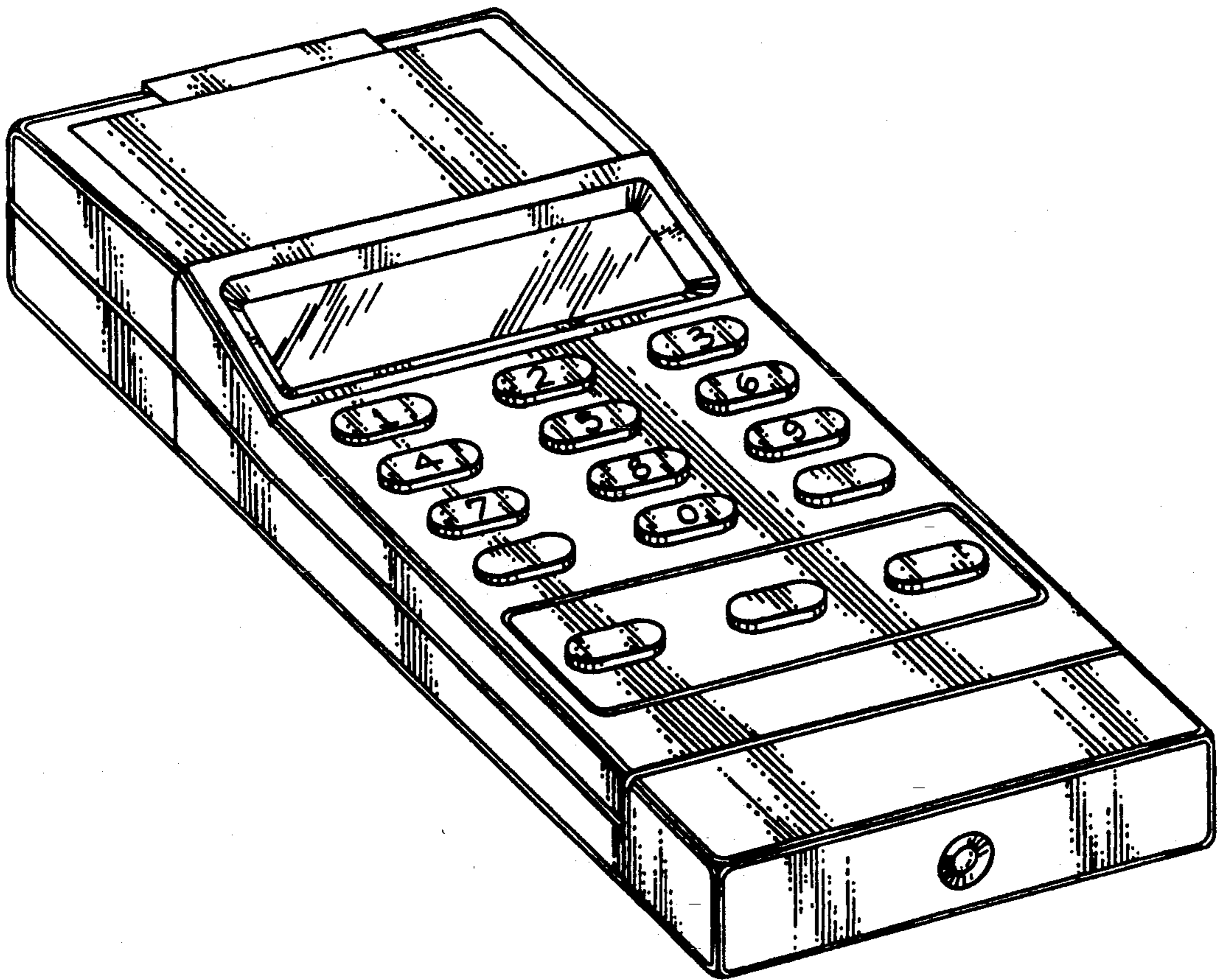
FIG. 4 is a bottom plan view of FIG. 1;

FIG. 5 is a left side elevational view of FIG. 1;

FIG. 6 is a right side elevational view of FIG. 1;

FIG. 7 is a front elevational view of FIG. 1; and,

FIG. 8 is a rear elevational view of FIG. 1.



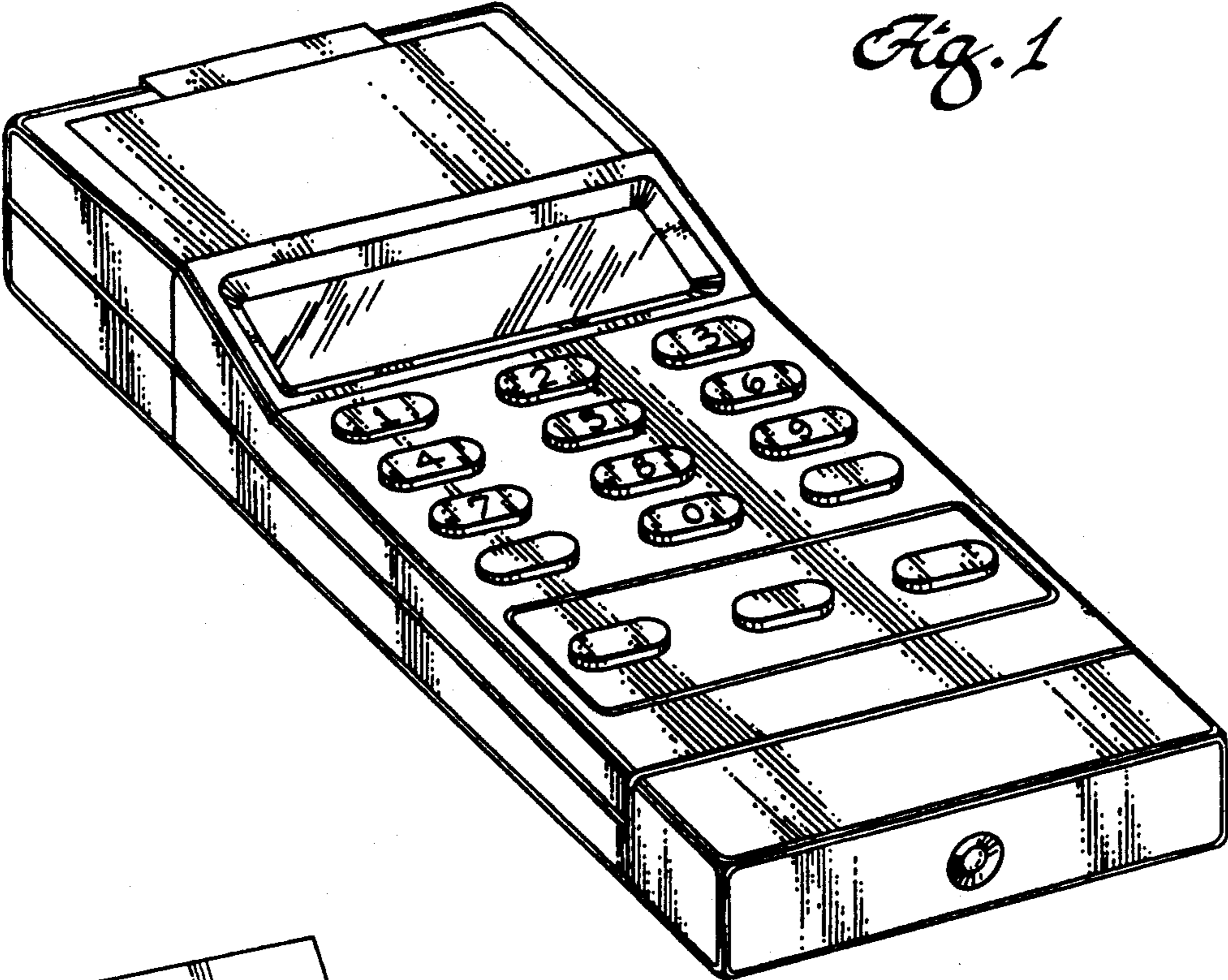


Fig. 1

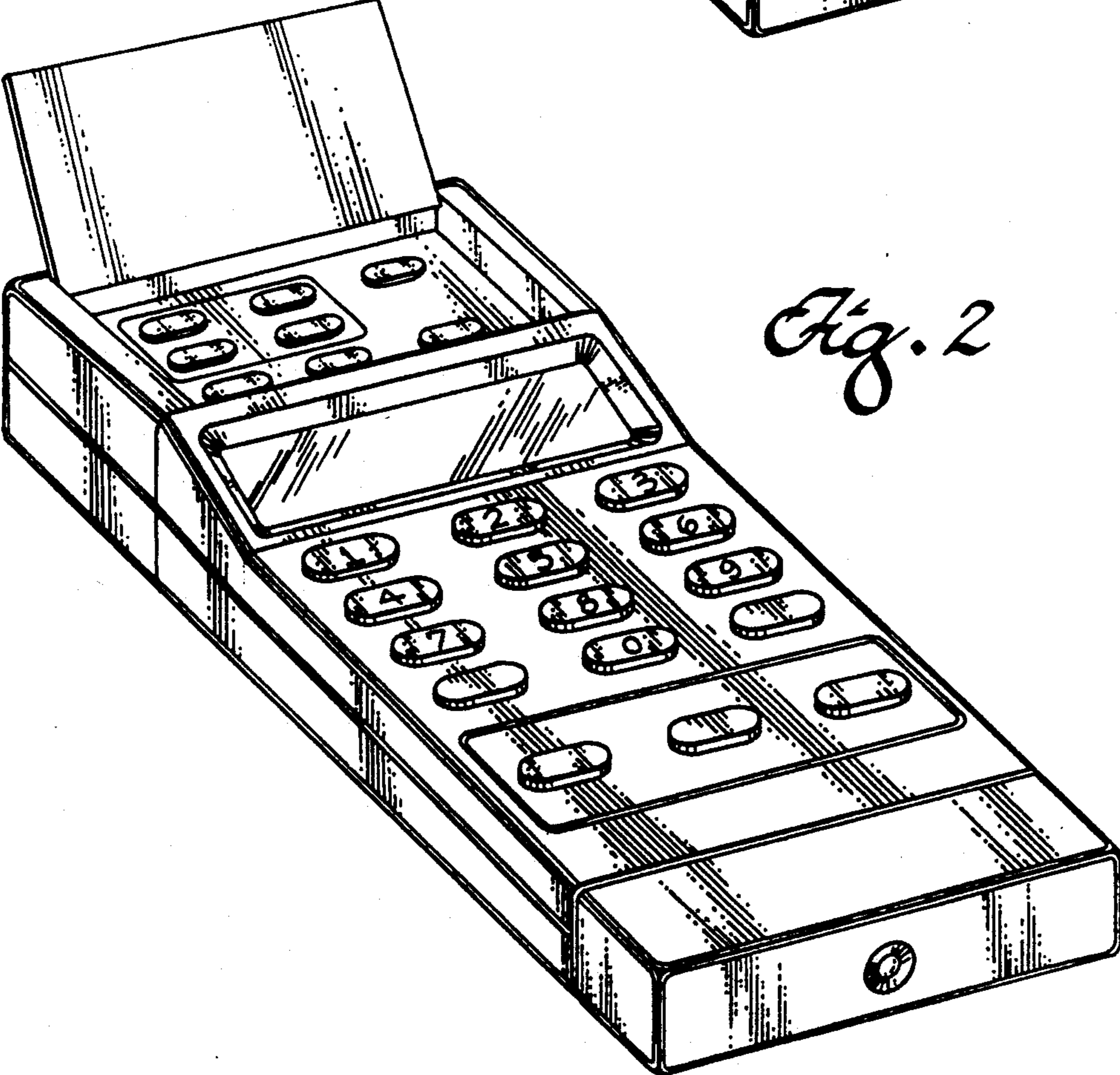


Fig. 2

Fig. 3

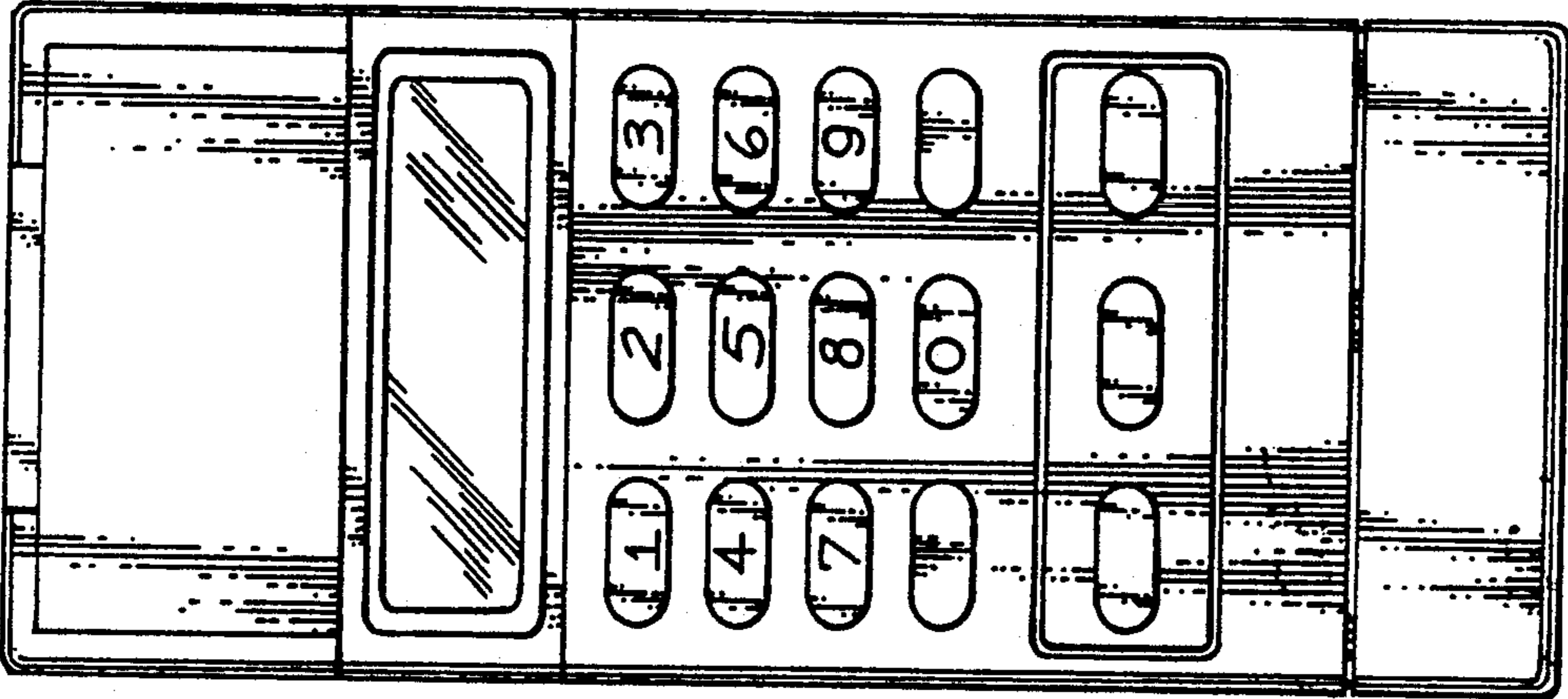


Fig. A

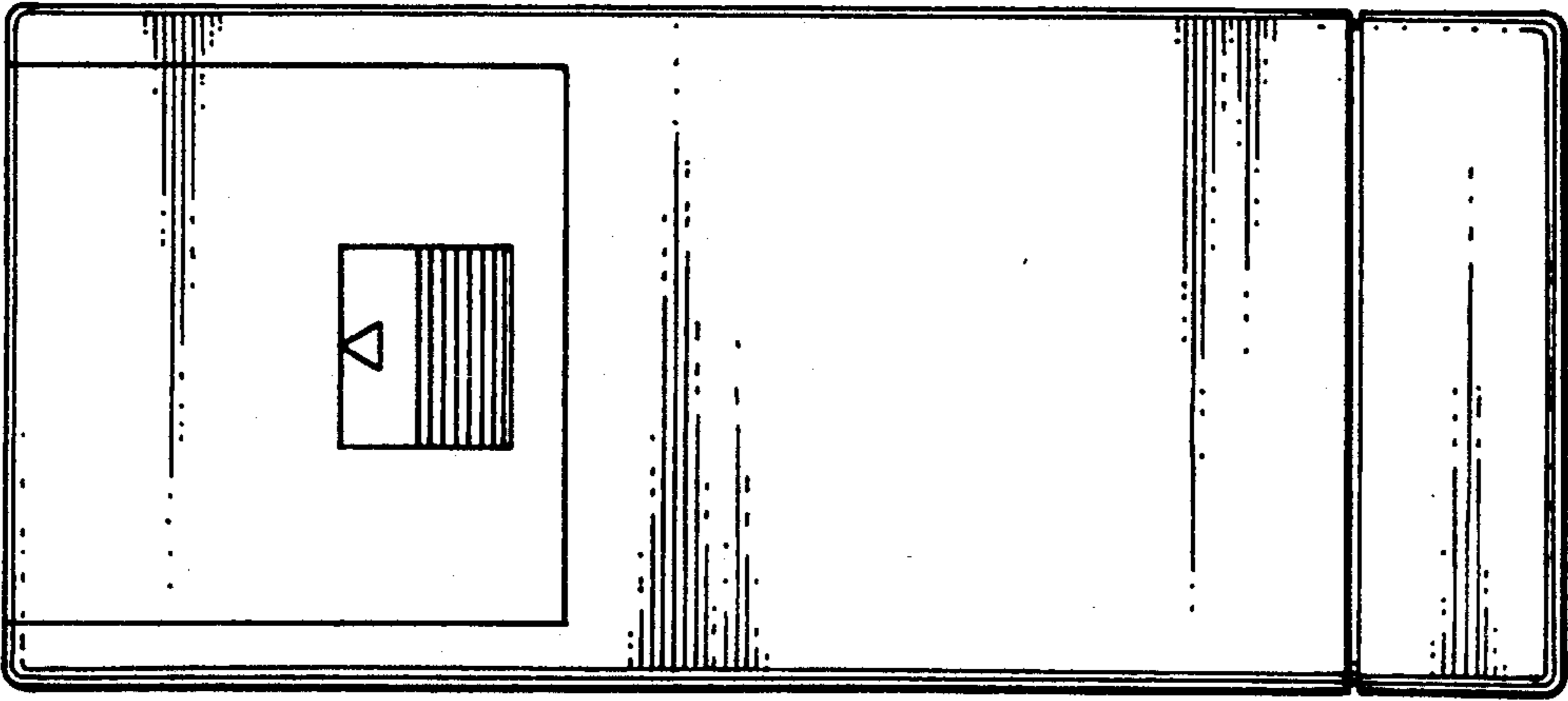


Fig. 5



Fig. 6

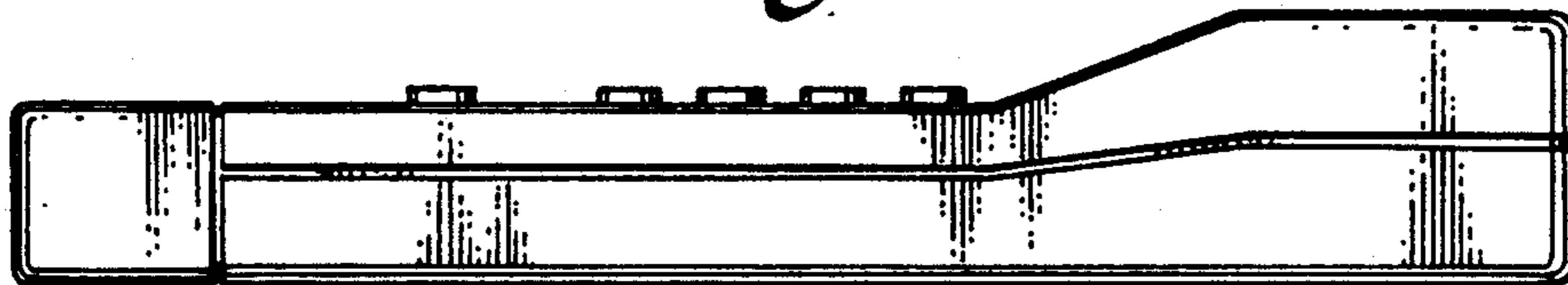


Fig. 7

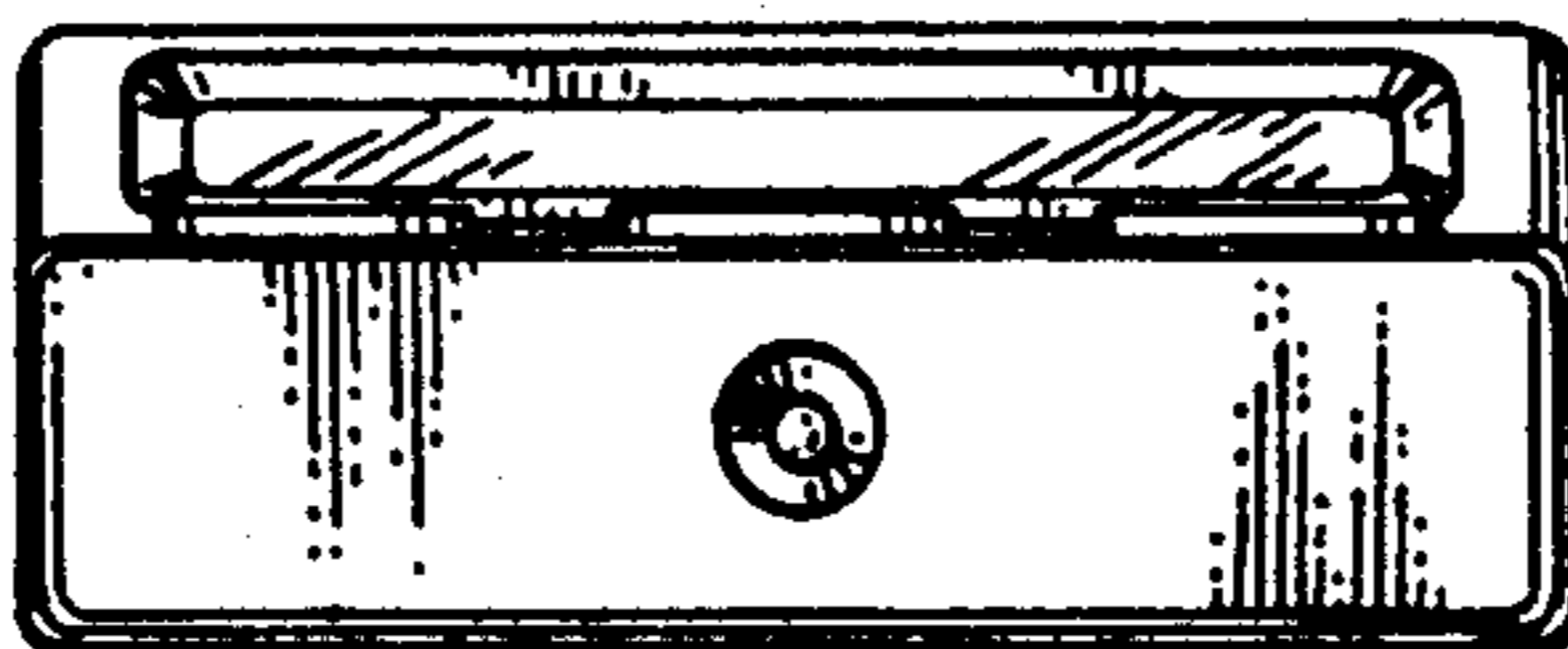


Fig. 8

