



US00D338199S

United States Patent [19]

Andrew

[11] Patent Number: **Des. 338,199**

[45] Date of Patent: **** Aug. 10, 1993**

[54] TELEPHONE HANDSET

[75] Inventor: **Rodger J. Andrew, Wimborne, England**

[73] Assignee: **Shaye Communications Limited, Hampshire, England**

[**] Term: **14 Years**

[21] Appl. No.: **867,792**

[22] Filed: **Apr. 10, 1992**

[30] Foreign Application Priority Data

Nov. 26, 1991 [GB] United Kingdom 2019185
[52] U.S. Cl. **D14/147; D14/138**
[58] Field of Search D14/138, 147, 151, 148;
379/59, 60

[56] References Cited

U.S. PATENT DOCUMENTS

| | | | |
|------------|--------|-------------------|-----------|
| D. 297,734 | 2/1987 | Soren et al. | D14/147 |
| D. 297,735 | 9/1988 | Soren et al. | D14/147 |
| D. 300,742 | 4/1989 | Soren et al. | D14/147 X |
| D. 317,606 | 6/1991 | Irie et al. | D14/138 |
| D. 319,053 | 8/1991 | Atkins | D14/147 X |
| D. 319,233 | 8/1991 | Konno et al. | D14/138 X |
| D. 326,091 | 5/1992 | Kikuchi | D14/138 |
| D. 326,262 | 5/1992 | Soren et al. | D14/138 |
| D. 327,059 | 6/1992 | Chu et al. | D14/147 X |

FOREIGN PATENT DOCUMENTS

70240 3/1992 Canada .
0274046 11/1990 Japan D14/147 X
2005887 8/1990 United Kingdom D14/138

OTHER PUBLICATIONS

Electronics, Jun. 1990; Motorola Ad. ©1990: Folding Handset; Search Room.
American Express Brochure Panasonic Folding Cordless Phone; Model 231277-12; \$229.

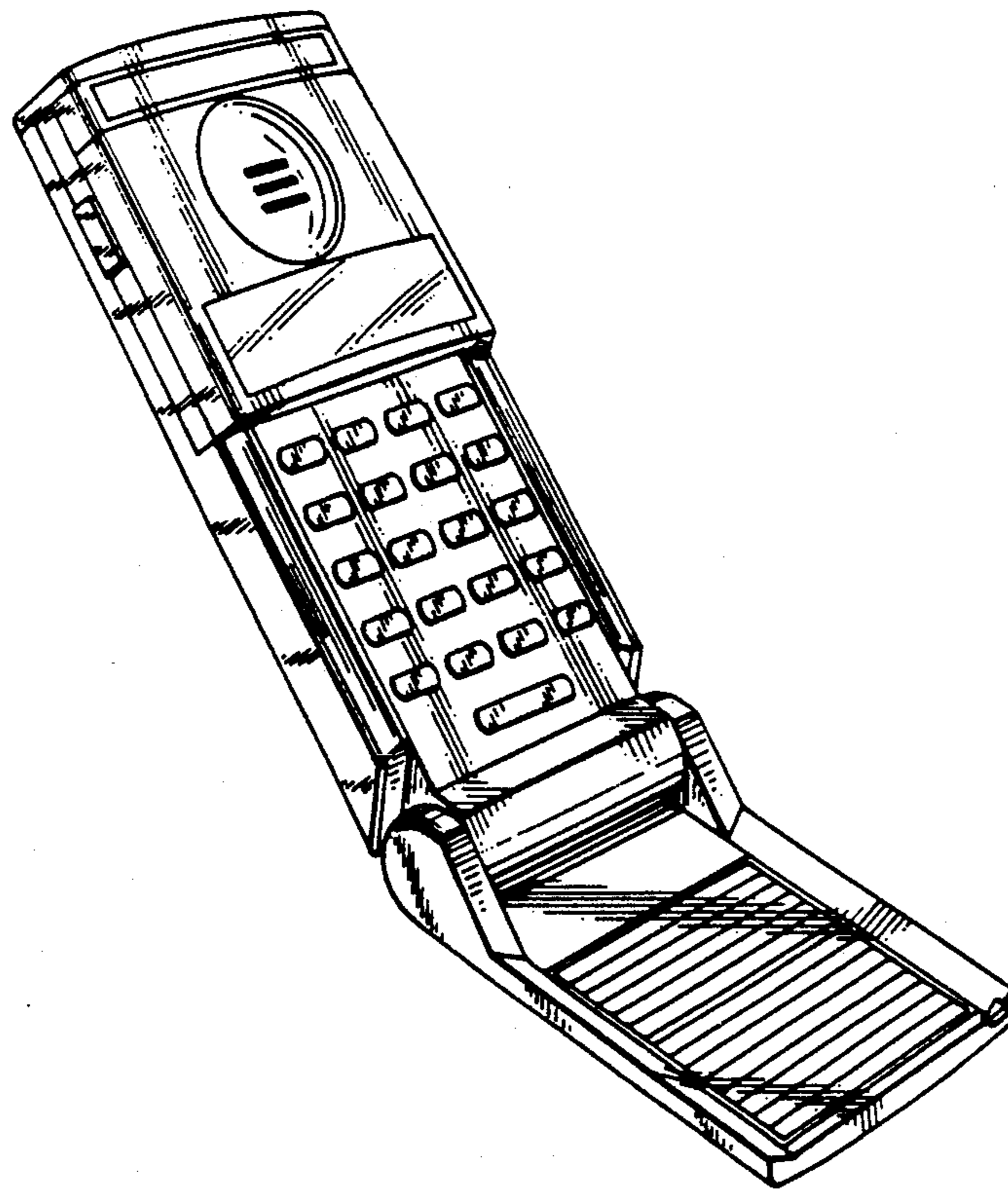
Primary Examiner—James M. Gandy
Attorney, Agent, or Firm—Wenderoth, Lind & Ponack

[57] CLAIM

The ornamental design for a telephone handset, as shown.

DESCRIPTION

FIG. 1 is a perspective view of the telephone handset of my invention, taken from the front and one side, in the closed position;
FIG. 2 is a perspective view thereof, taken from the front and other side, in the open position;
FIG. 3 is a view of the other side thereof, in the closed position;
FIG. 4 is a rear view thereof, in the closed position;
FIG. 5 is a top plan view thereof, in the closed position; and,
FIG. 6 is a bottom plan view thereof, in the closed position.



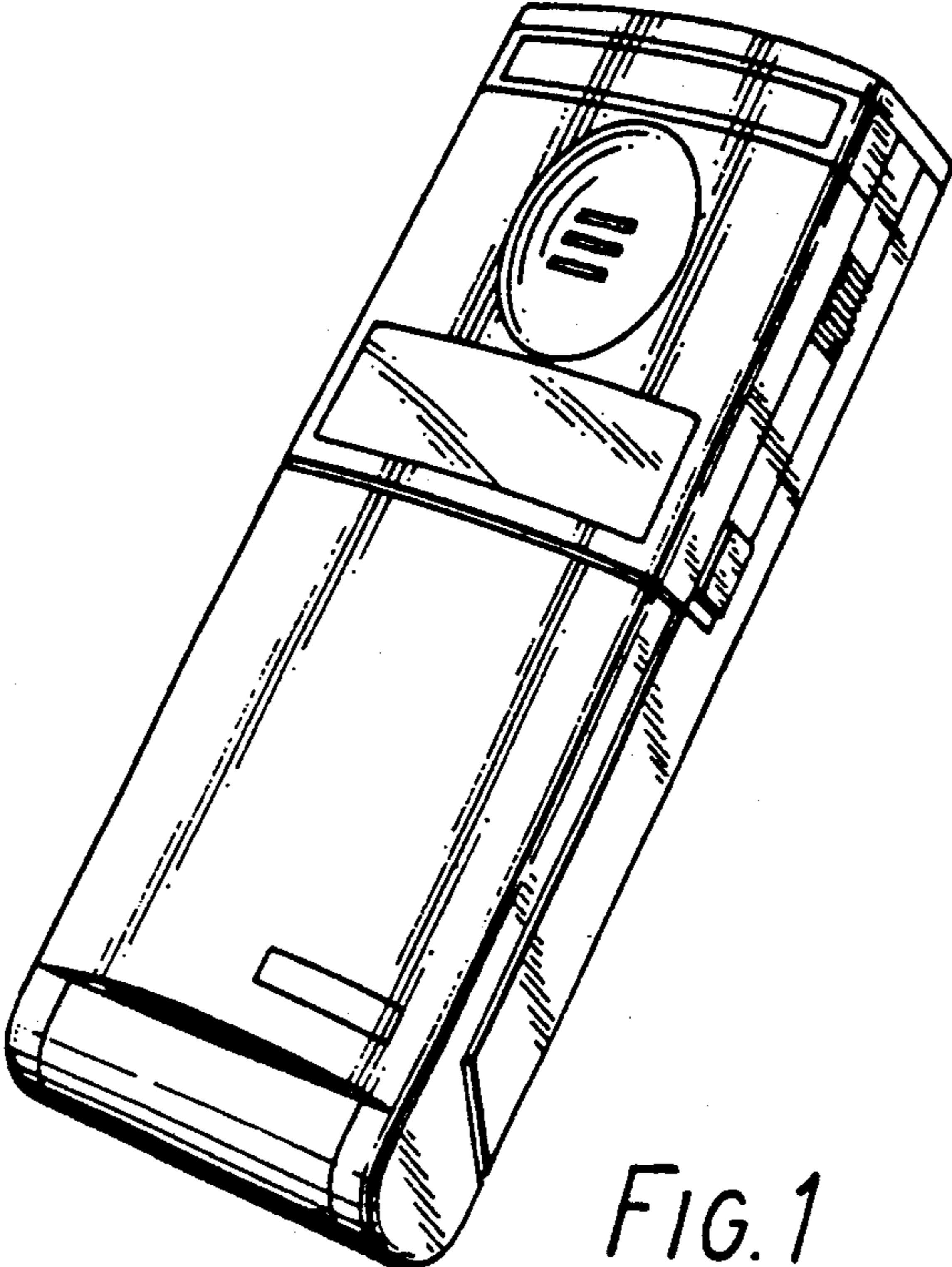


FIG. 1

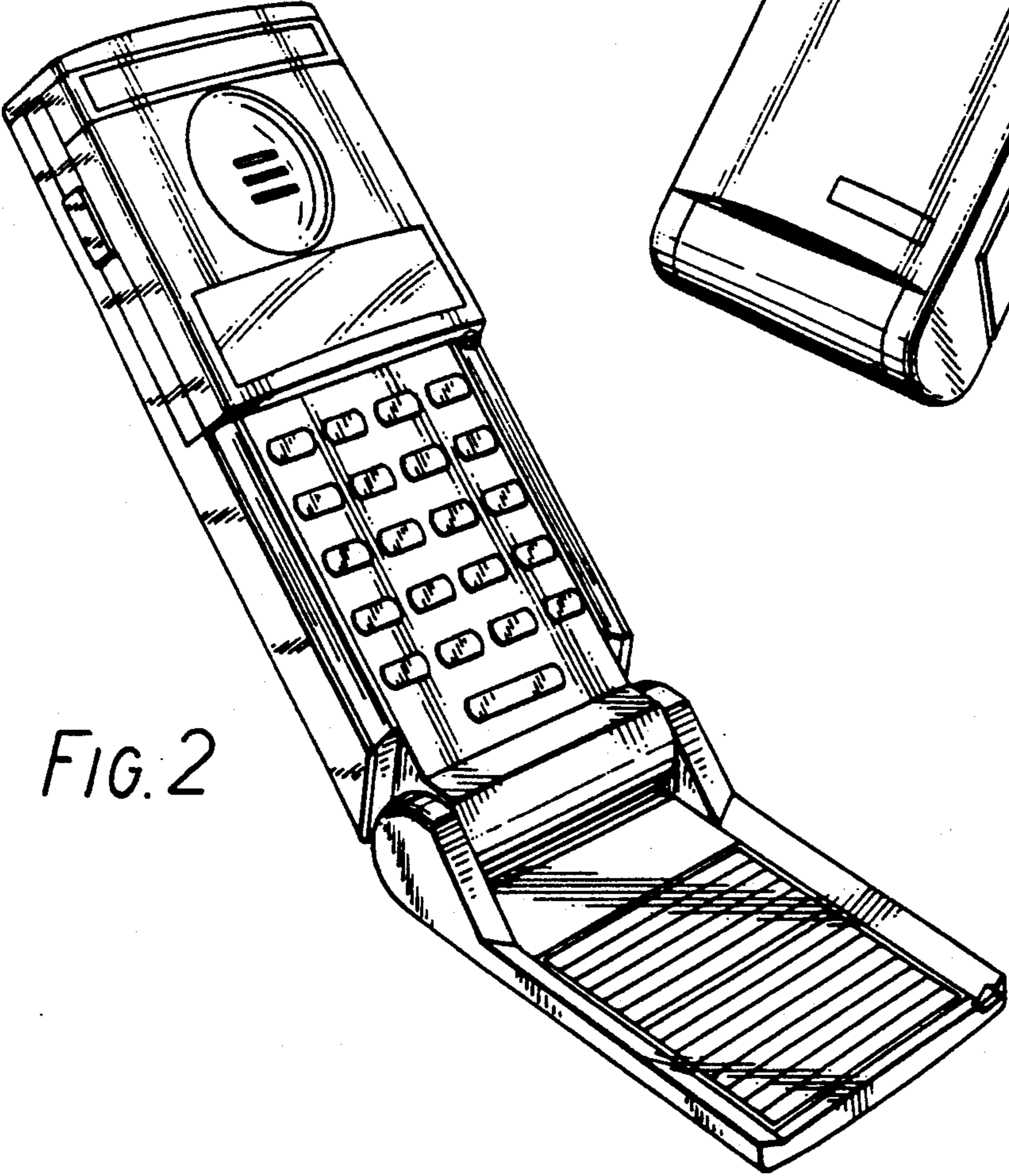


FIG. 2

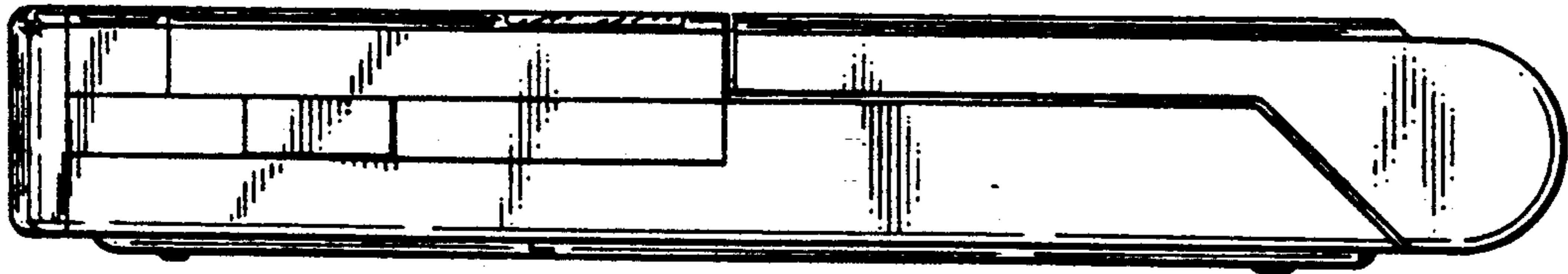


FIG. 3

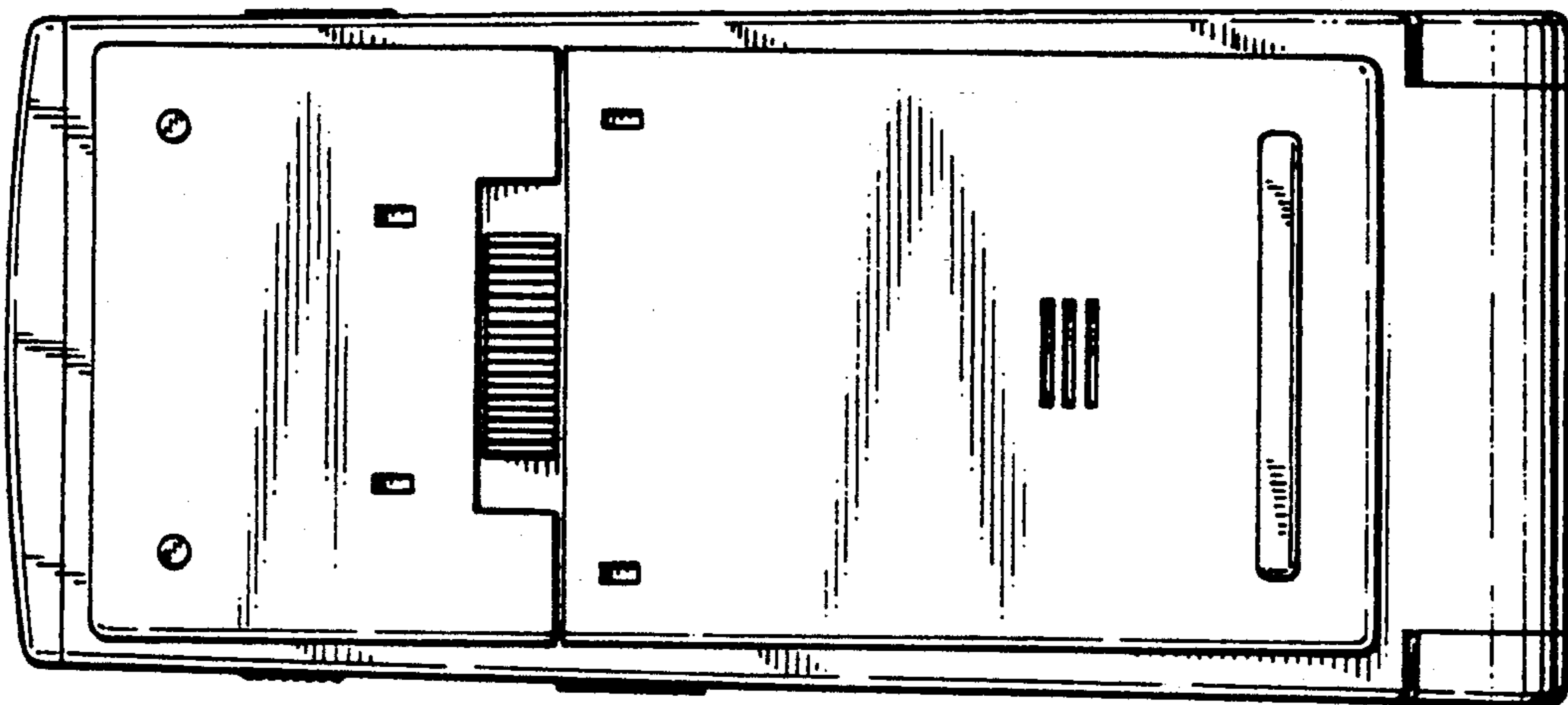


FIG. 4

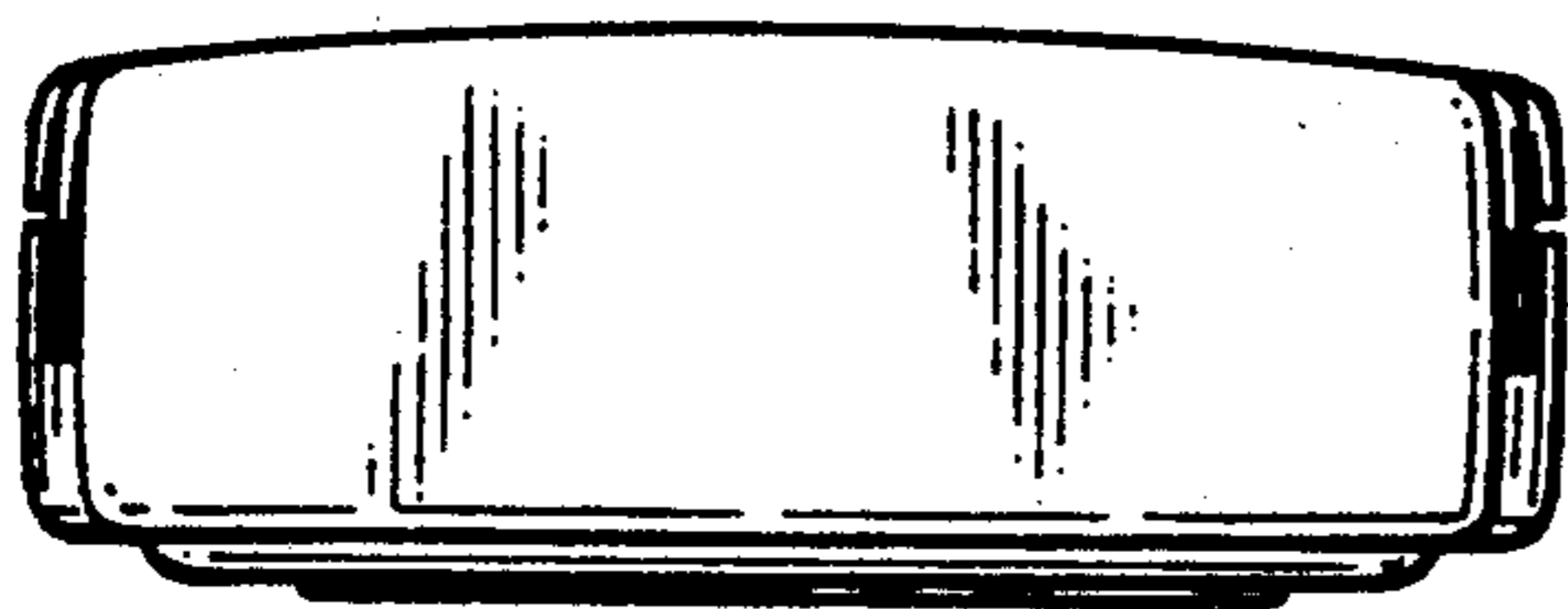


FIG. 5

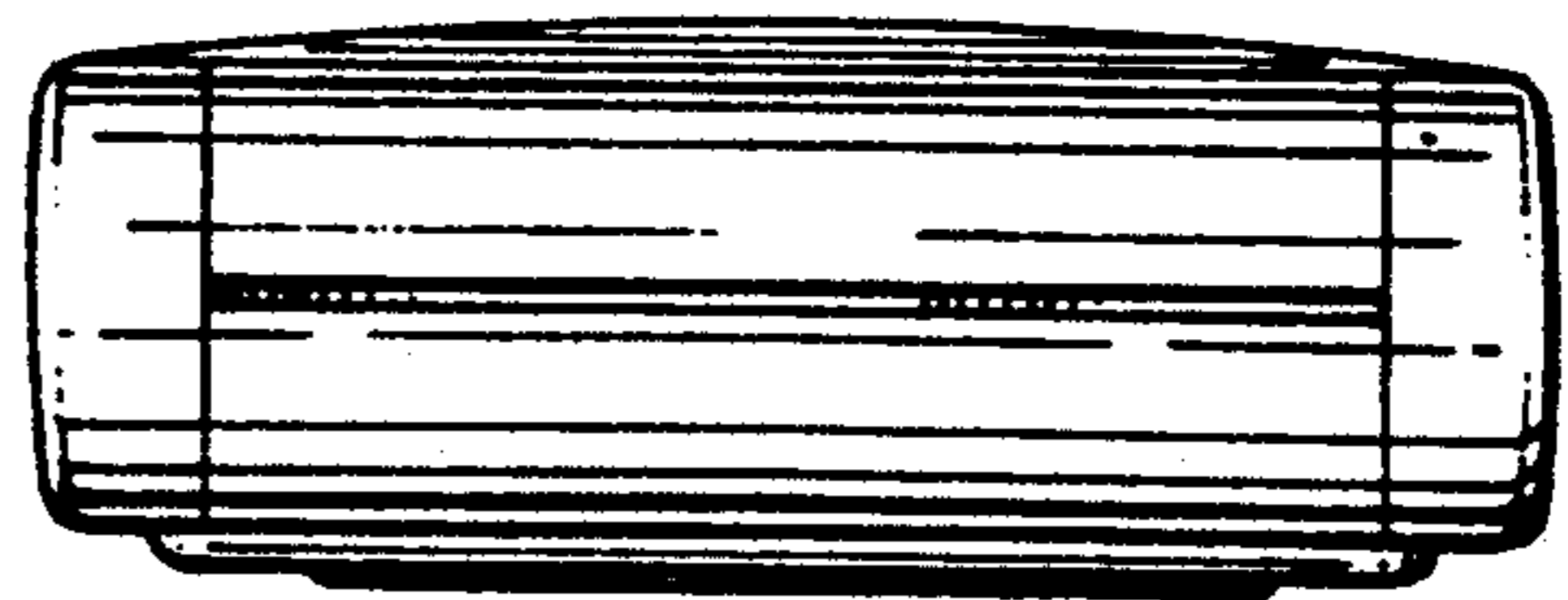


FIG. 6