



US00D338188S

# United States Patent [19]

[11] Patent Number: **Des. 338,188**

Lee et al.

[45] Date of Patent: **\*\* Aug. 10, 1993**

[54] ADAPTOR

[75] Inventors: **Simon G. Lee; Ka-Lok Leung**, both of New Territories, Hong Kong

[73] Assignee: **Comewell Industries Limited**, Hong Kong

[\*\*] Term: **14 Years**

[21] Appl. No.: **736,125**

[22] Filed: **Jul. 26, 1991**

[52] U.S. Cl. .... **D13/110**

[58] Field of Search ..... **D13/110, 123, 124; 307/150, 151; 363/15, 95, 143, 146; 336/90, 92, 200**

[56] **References Cited**

### U.S. PATENT DOCUMENTS

4,107,636	8/1978	Di Girolamo	336/92
4,205,291	5/1980	Flentge	336/92
4,954,940	9/1990	Chandler et al.	363/146

### FOREIGN PATENT DOCUMENTS

0188372 10/1984 Japan ..... 363/146

*Primary Examiner*—Wallace R. Burke

*Assistant Examiner*—Joel Sincavage

*Attorney, Agent, or Firm*—Samuels, Gauthier & Stevens

### [57] CLAIM

The ornamental design for an adaptor, as shown and described.

### DESCRIPTION

FIG. 1 is the front elevational view showing our new design;

FIG. 2 is the rear elevational view thereof;

FIG. 3 is the left side view thereof;

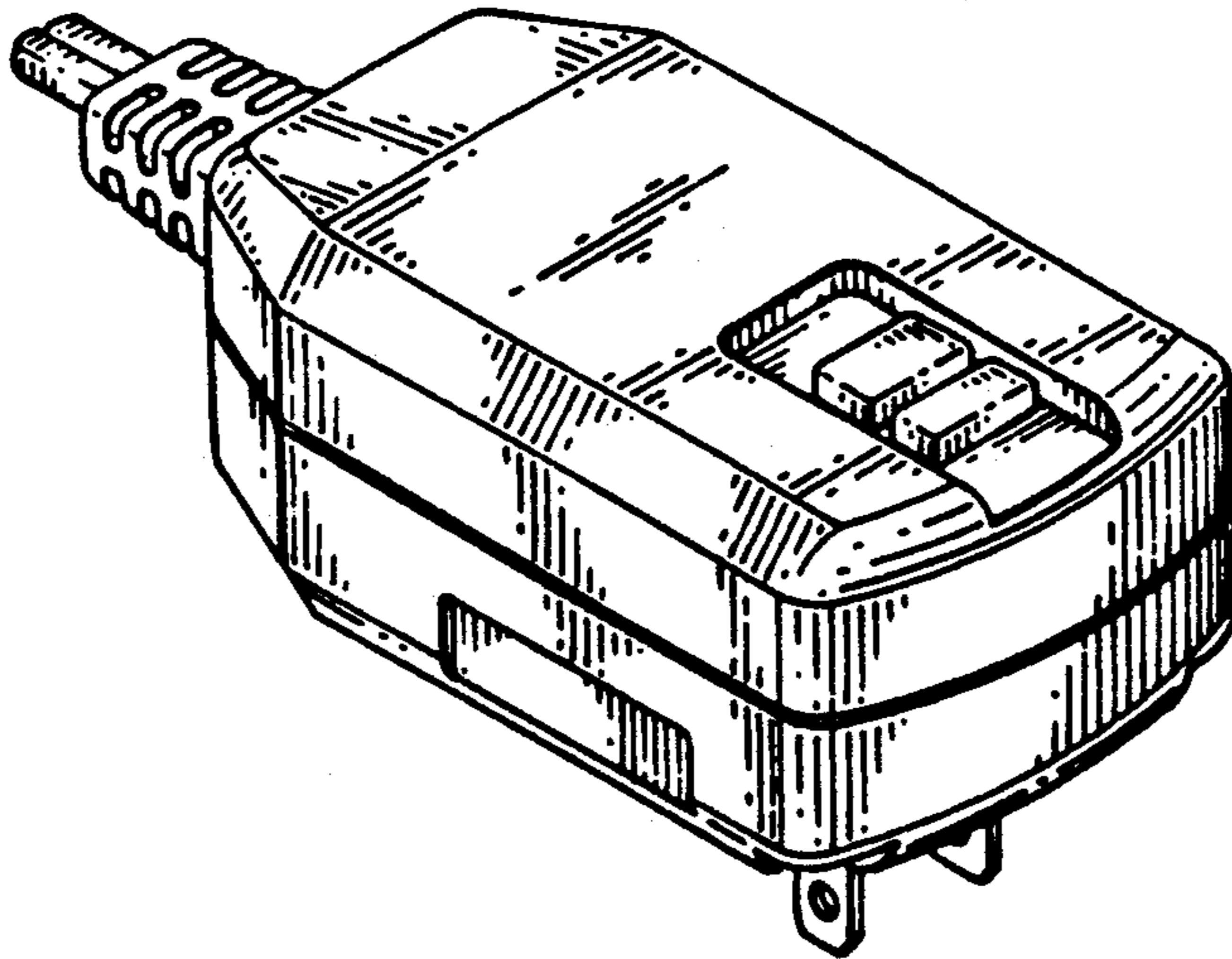
FIG. 4 is the right side view thereof;

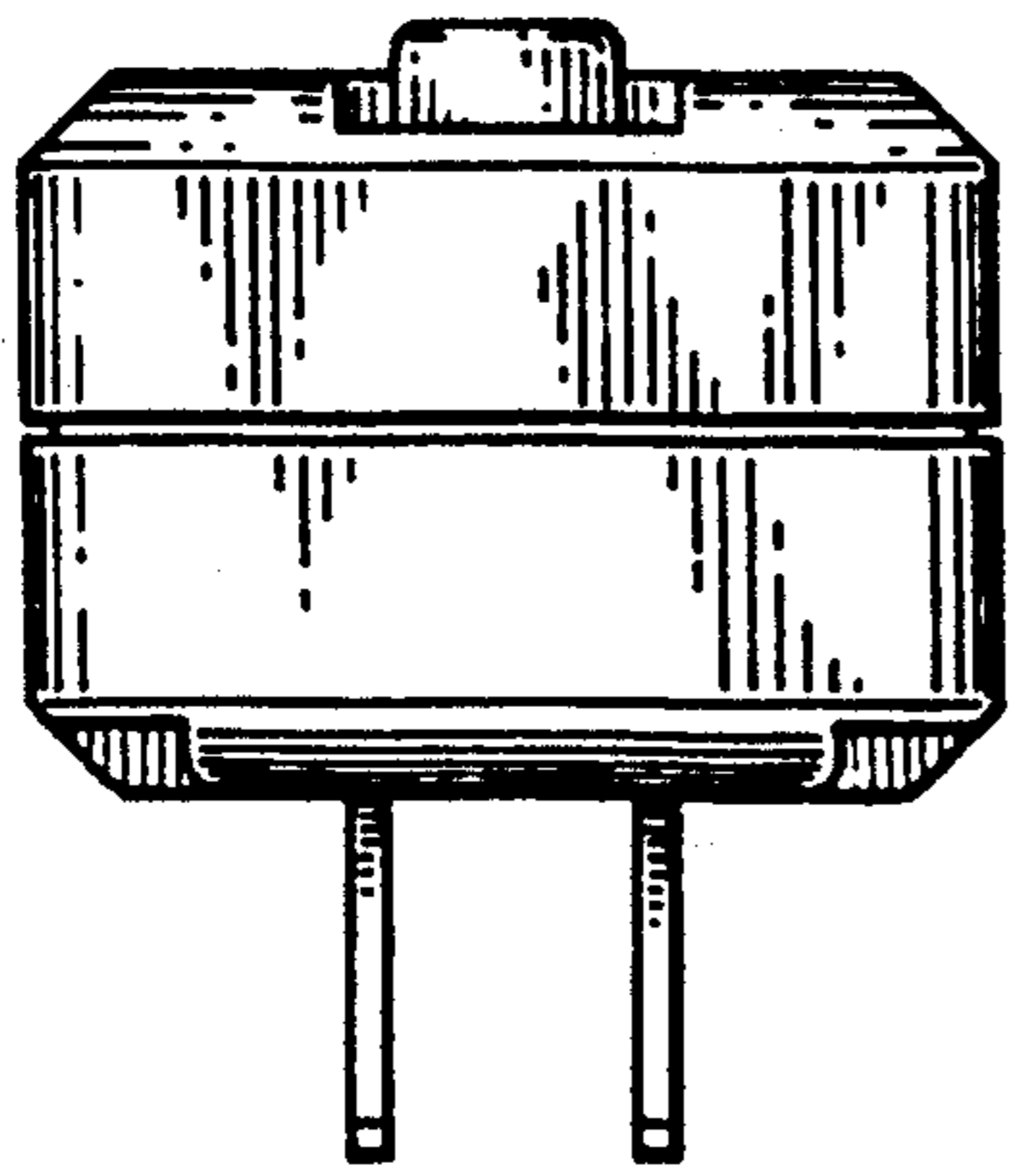
FIG. 5 is the top plan view thereof;

FIG. 6 is the bottom view thereof;

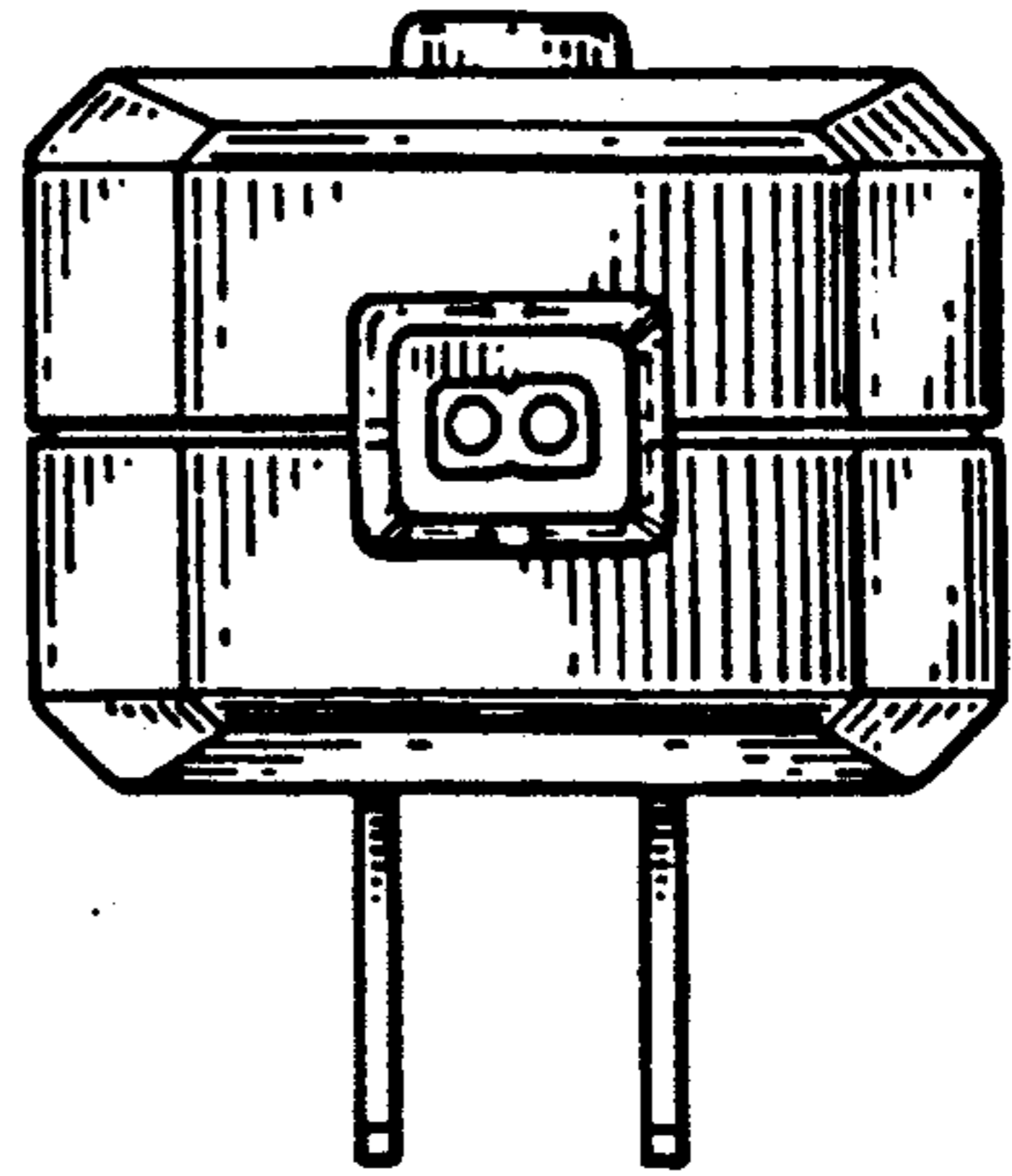
FIG. 7 is a front and upper left perspective view thereof; and,

FIG. 8 is a rear and lower left perspective view thereof.

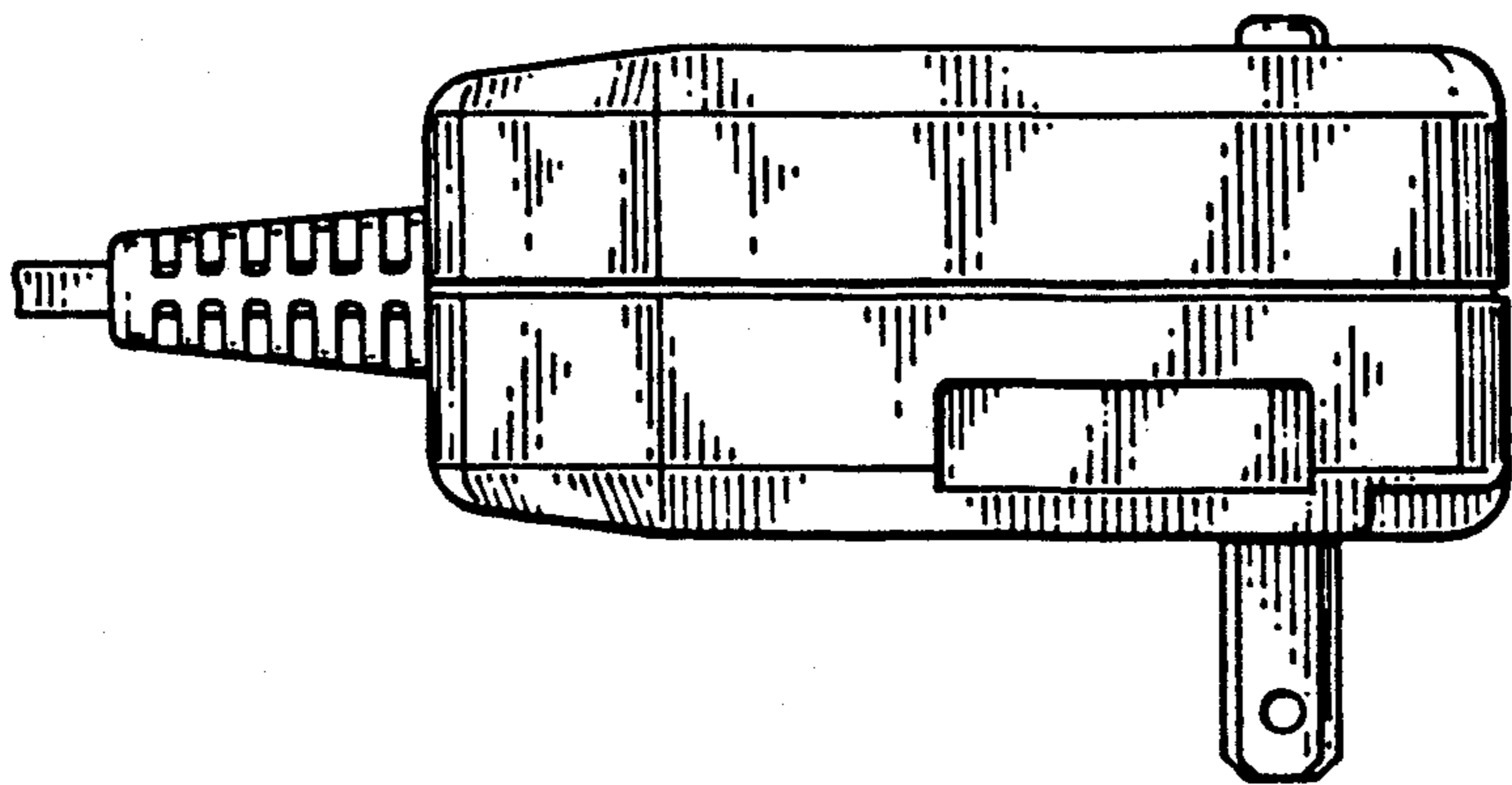




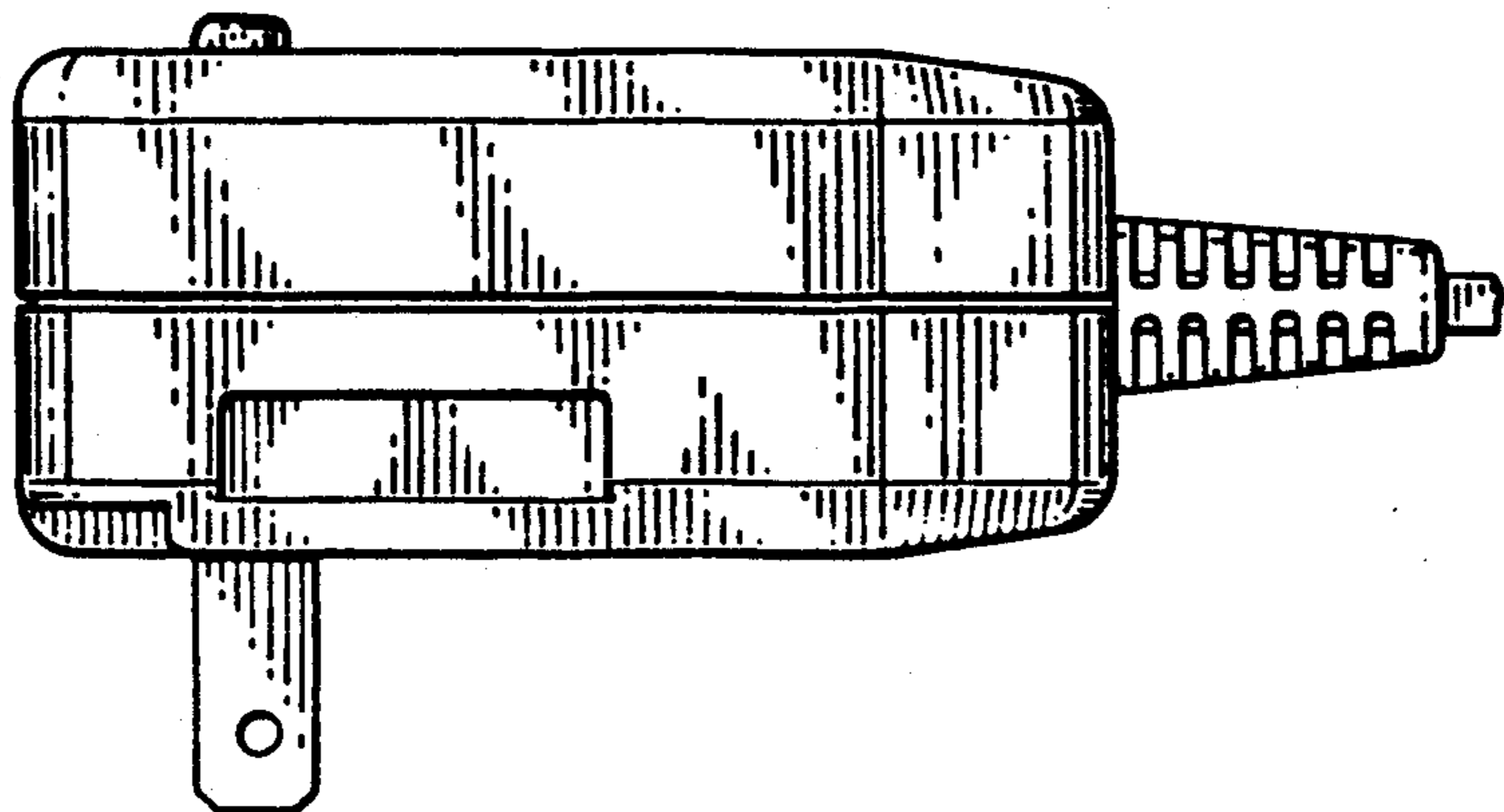
*FIG. 1*



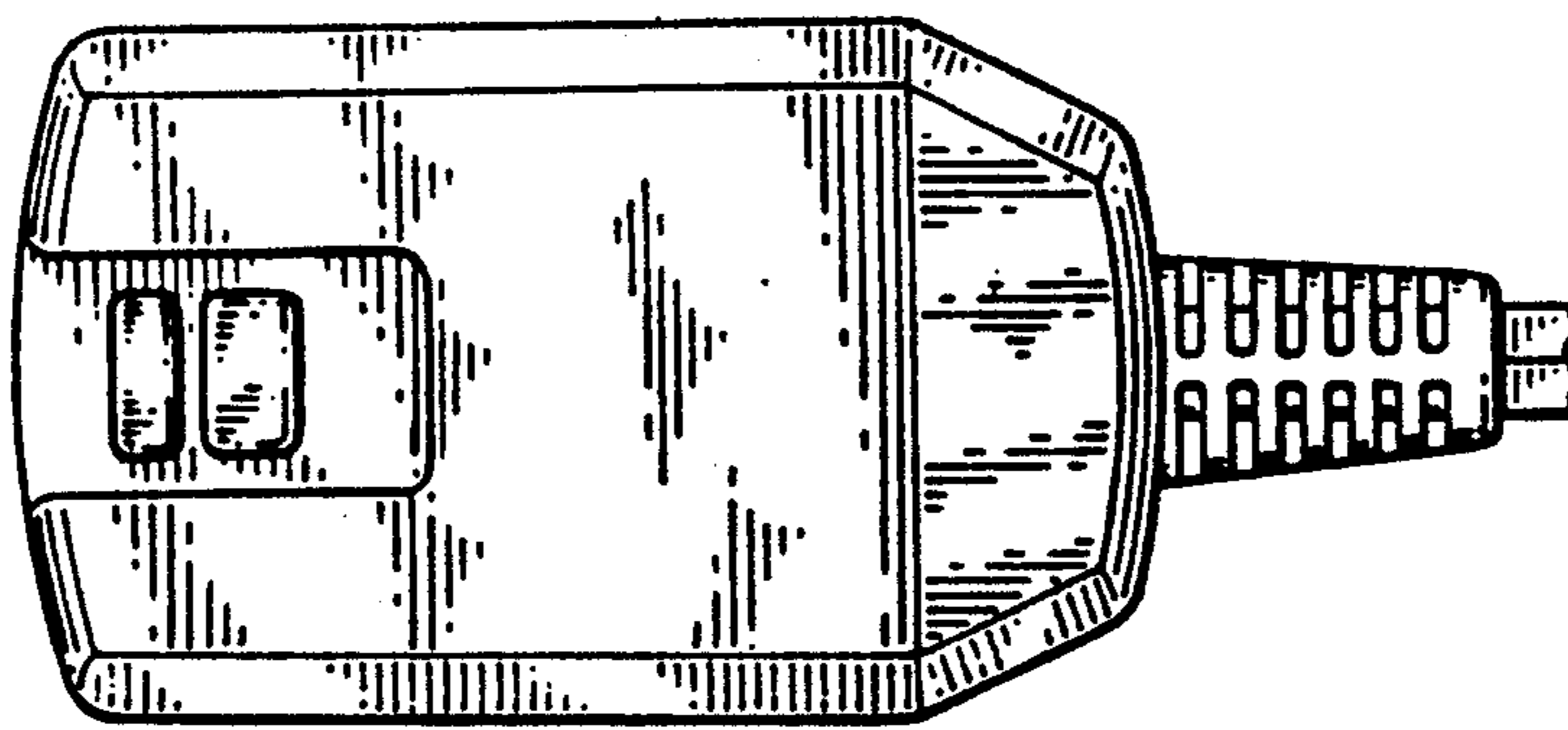
*FIG. 2*



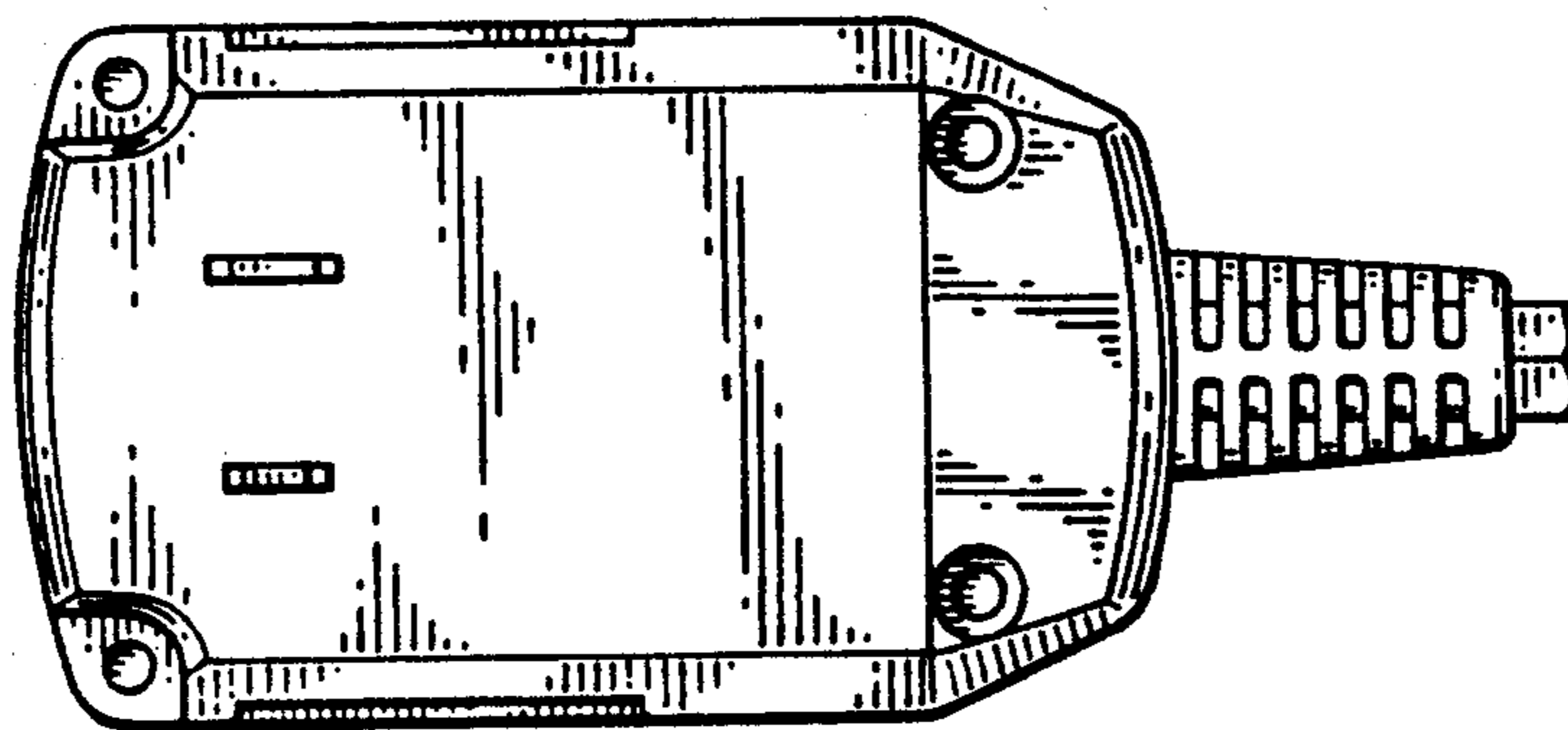
*FIG. 3*



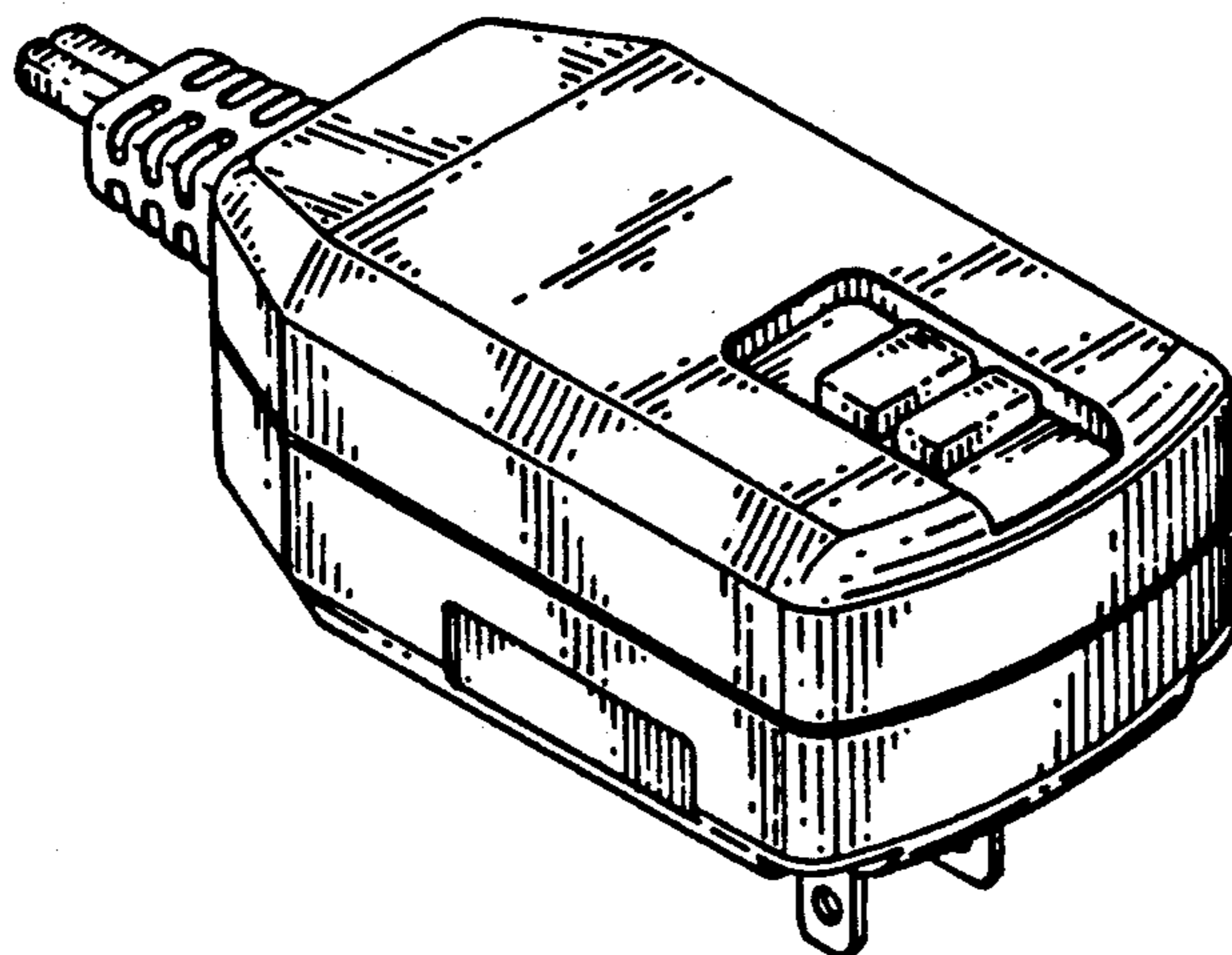
*FIG. 4*



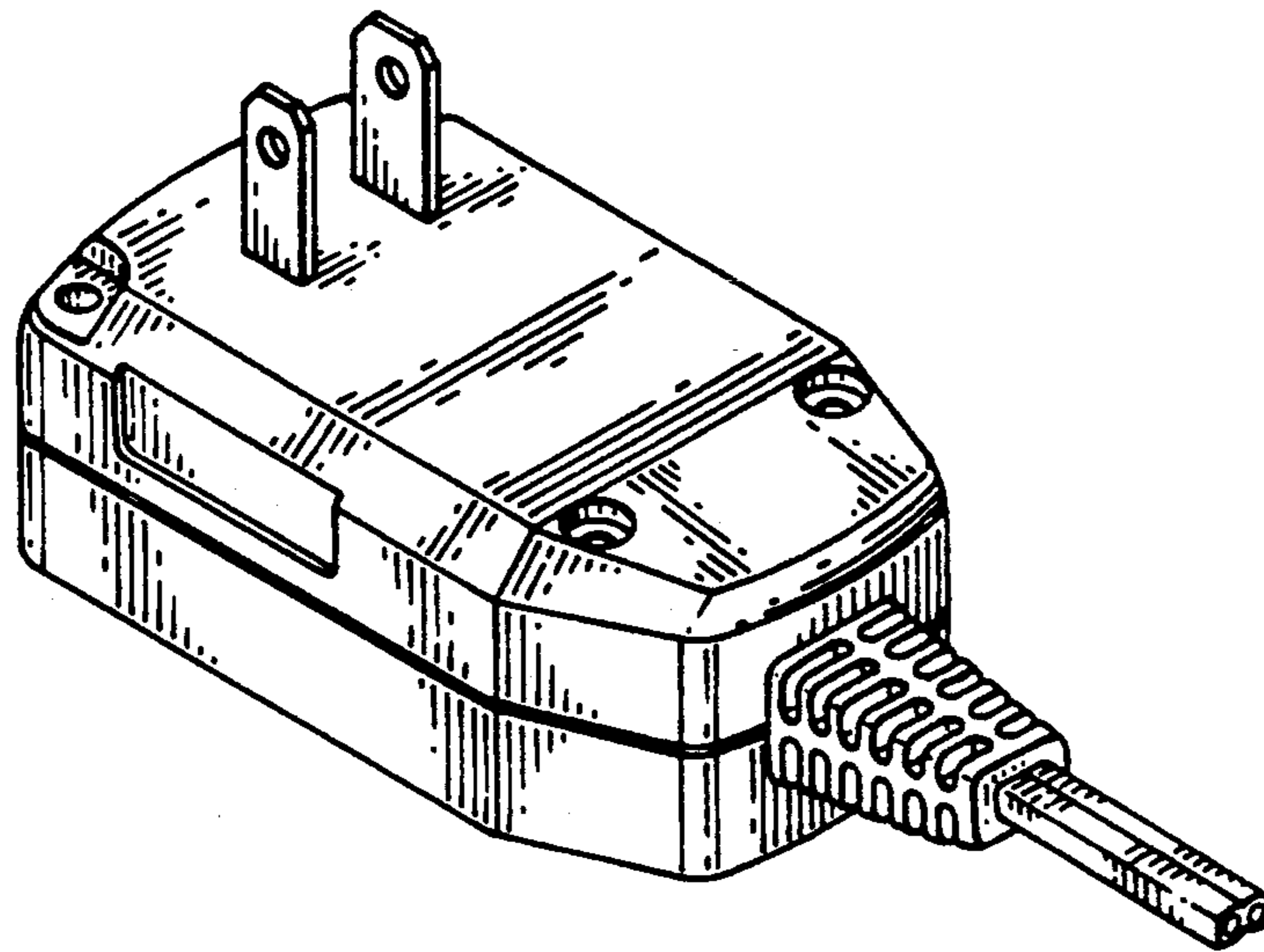
*FIG. 5*



*FIG. 6*



*FIG. 7*



*FIG. 8*