



US00D338187S

# United States Patent [19]

[11] Patent Number: **Des. 338,187**

**Barrett, Jr.**

[45] Date of Patent: **\*\* Aug. 10, 1993**

[54] **TRANSDUCER CASING**

4,772,983 9/1988 Kerber et al. .... 361/283  
4,860,155 8/1989 Wright ..... 361/111

[75] Inventor: **Richard M. Barrett, Jr.,**  
Gaithersburg, Md.

[73] Assignee: **Wilcoxon Research, Inc.,**  
Gaithersburg, Md.

[\*\*] Term: **14 Years**

[21] Appl. No.: **2,230**

[22] Filed: **Dec. 4, 1992**

[52] U.S. Cl. .... **D13/101**

[58] Field of Search ..... **D13/101, 184, 199;**  
**73/4 R, 708, 756, 761.47; 338/4; 361/283, 111;**  
**336/30**

[56] **References Cited**

**U.S. PATENT DOCUMENTS**

D. 287,965 1/1987 Kasianowicz et al. .... D13/199  
4,295,116 10/1981 Studlien ..... 338/4  
4,576,049 3/1986 Kohnlechner ..... 73/708 X  
4,636,120 1/1987 Brandsberg et al. .... 73/761 X

**OTHER PUBLICATIONS**

CCS pressure switch on p. 100 of 2-90 New Equipment Digest.

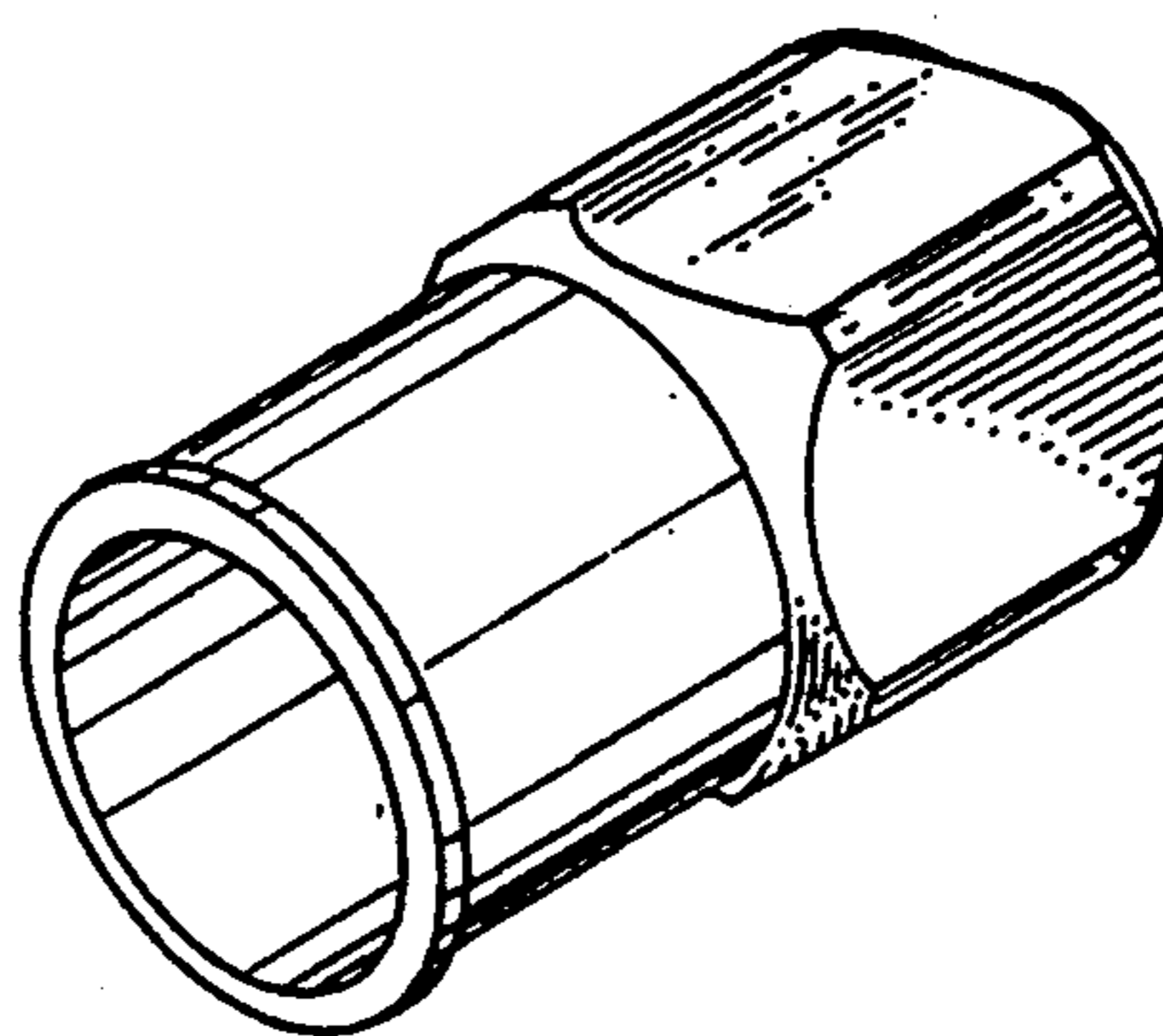
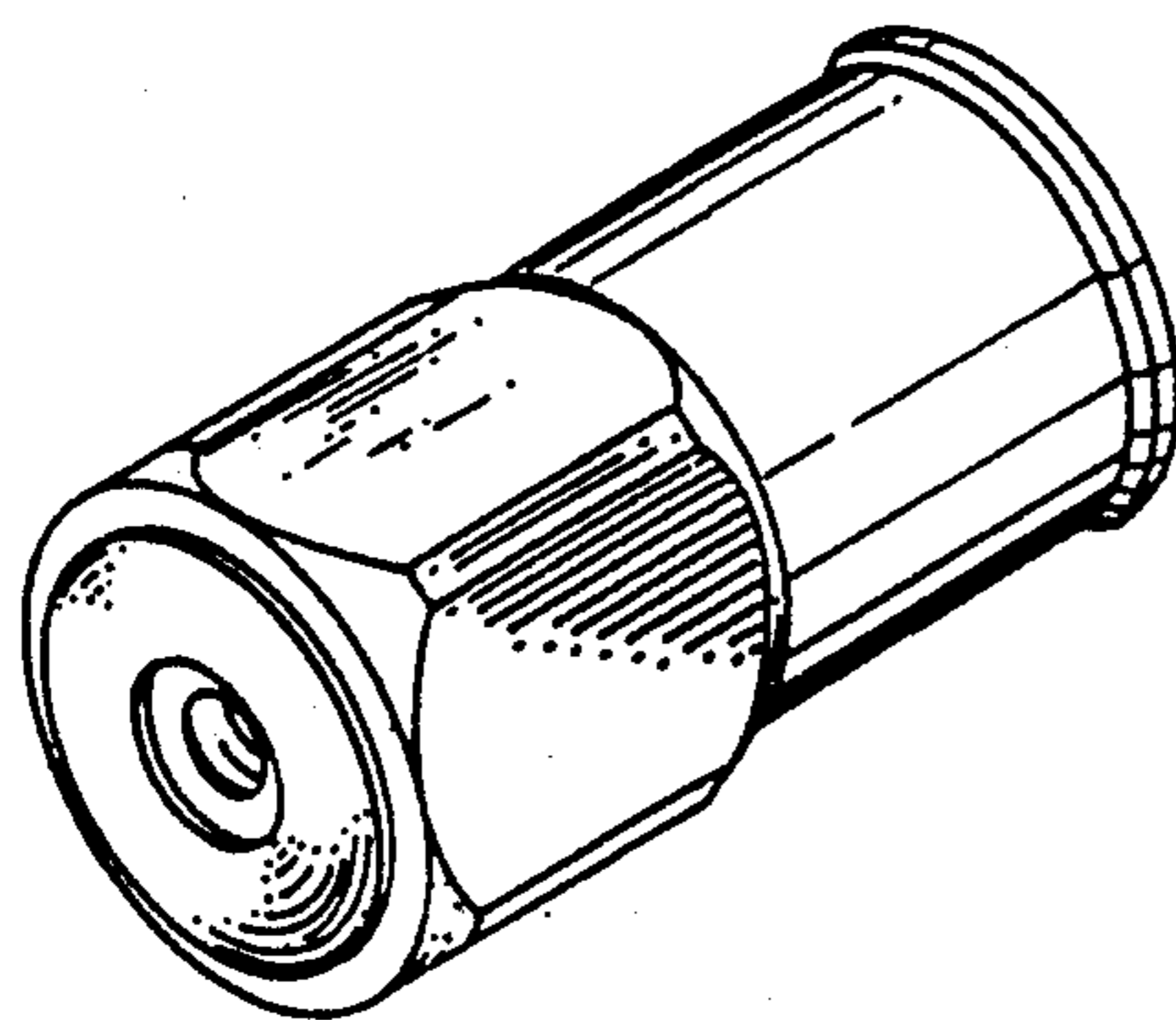
*Primary Examiner*—Wallace R. Burke  
*Assistant Examiner*—J. Sincavage  
*Attorney, Agent, or Firm*—Michael W. York

[57] **CLAIM**

The ornamental design for a transducer casing, as shown and described.

**DESCRIPTION**

FIG. 1 is a bottom perspective view of a transducer casing showing my new design;  
FIG. 2 is a top perspective view thereof;  
FIG. 3 is a front elevational view thereof;  
FIG. 4 is a right side elevational view thereof, the left side elevational view thereof being a mirror image;  
FIG. 5 is a bottom plan view thereof; and,  
FIG. 6 is a top plan view thereof.



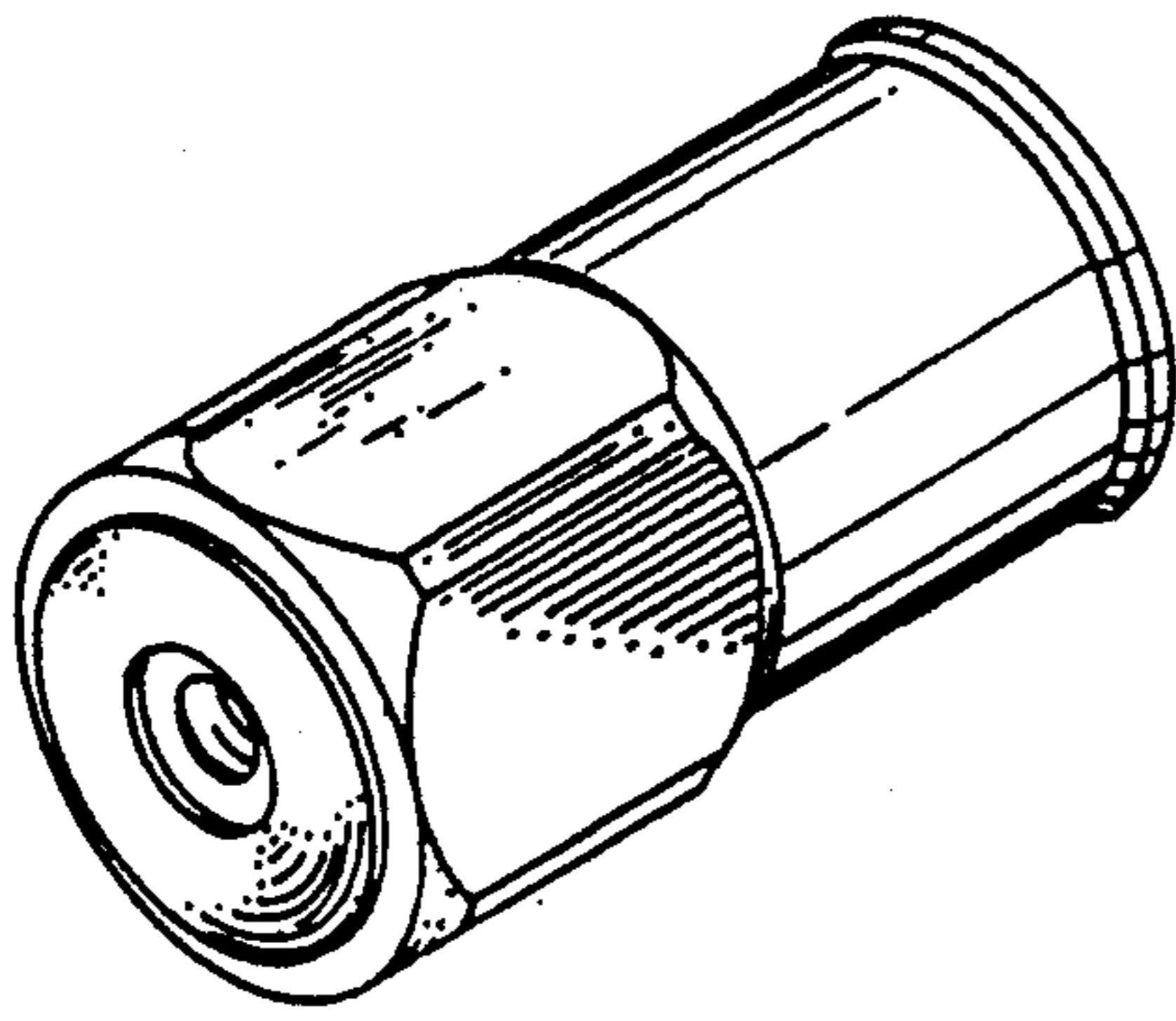


FIG. 1

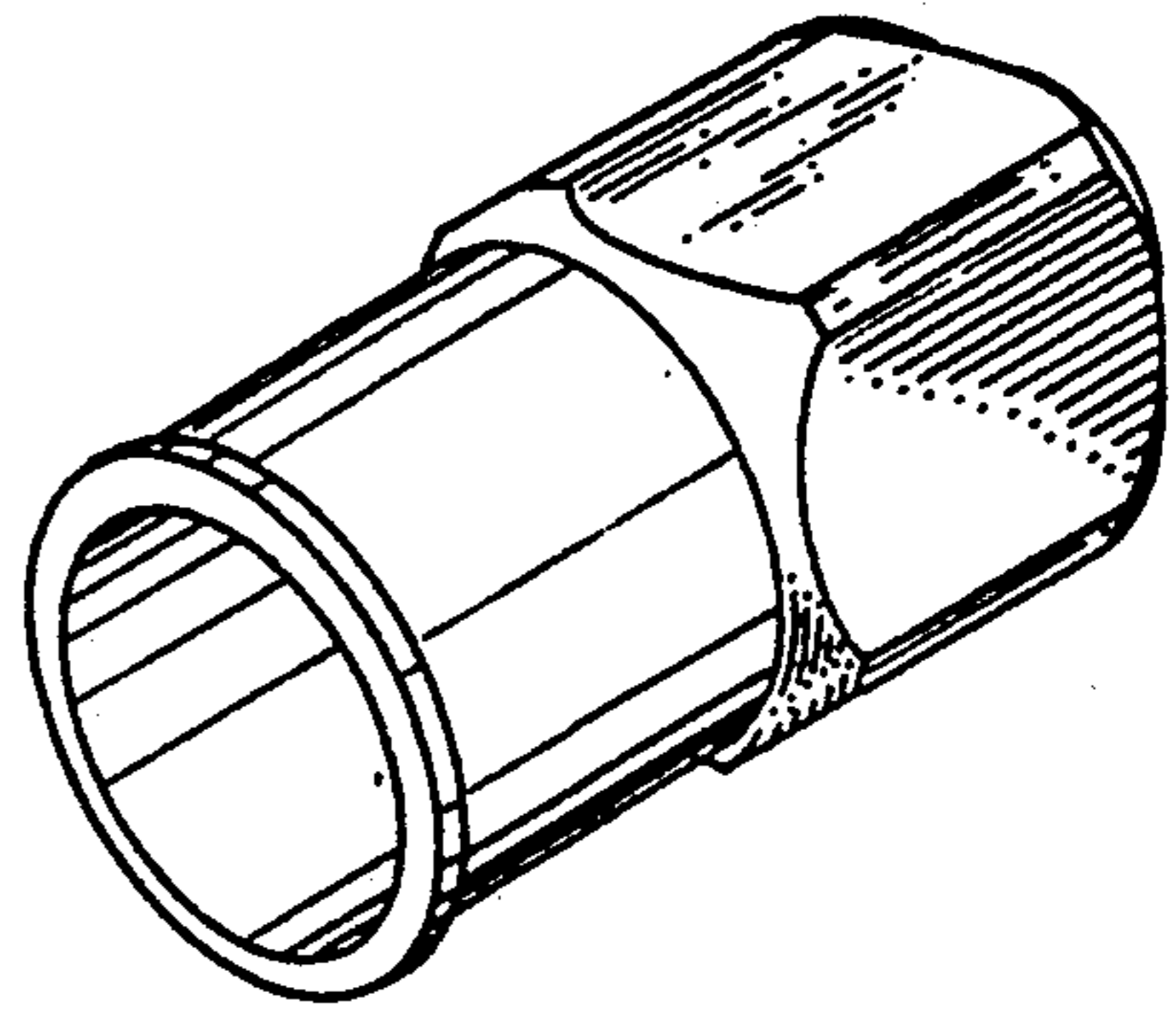


FIG. 2

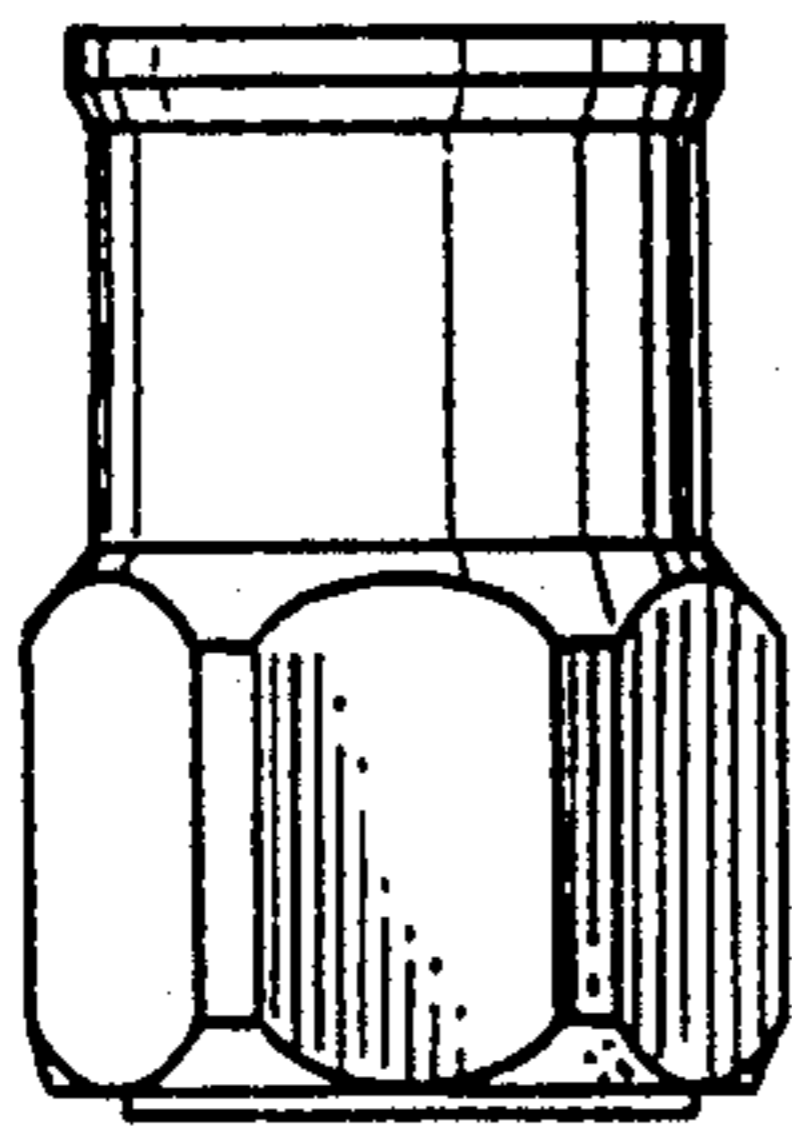


FIG. 3

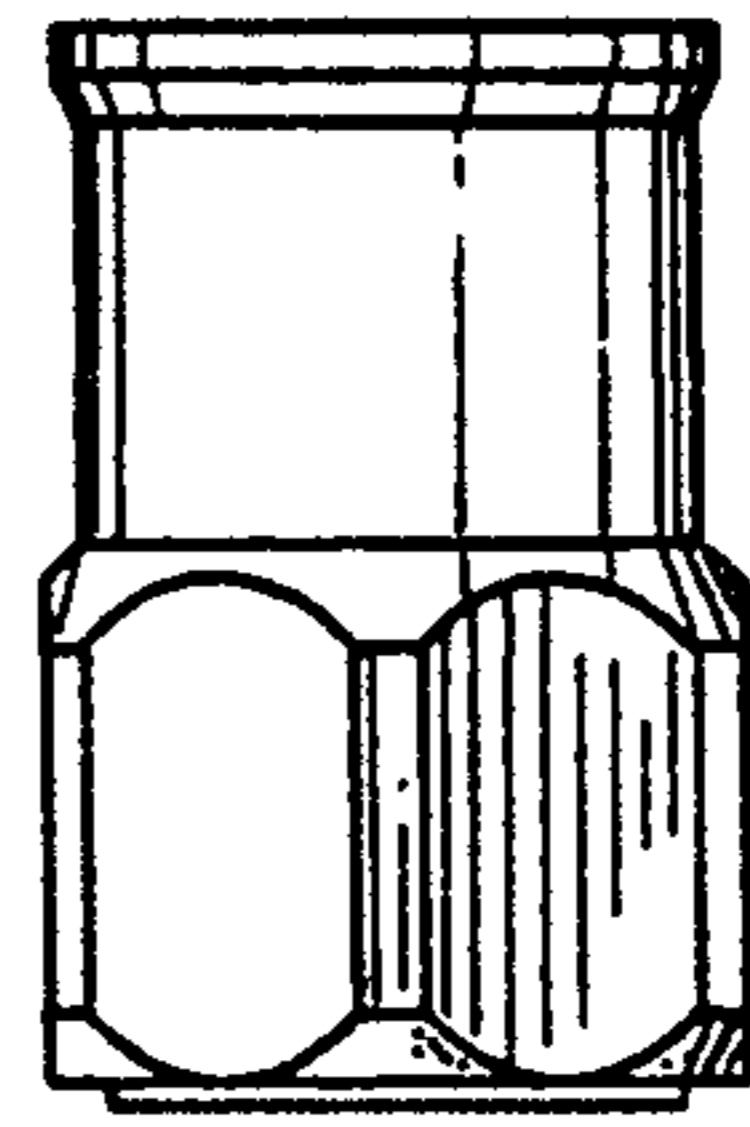


FIG. 4

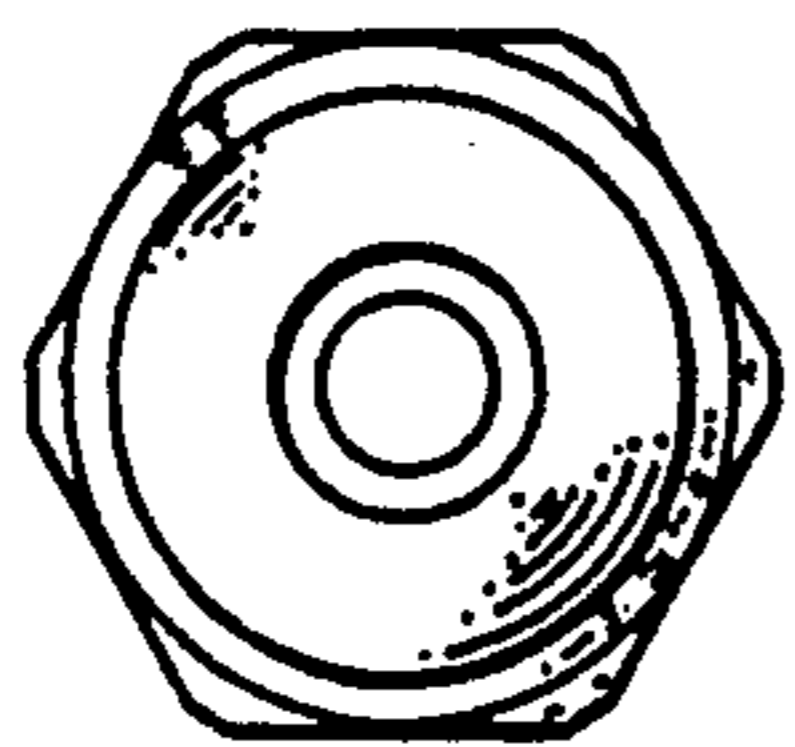


FIG. 5

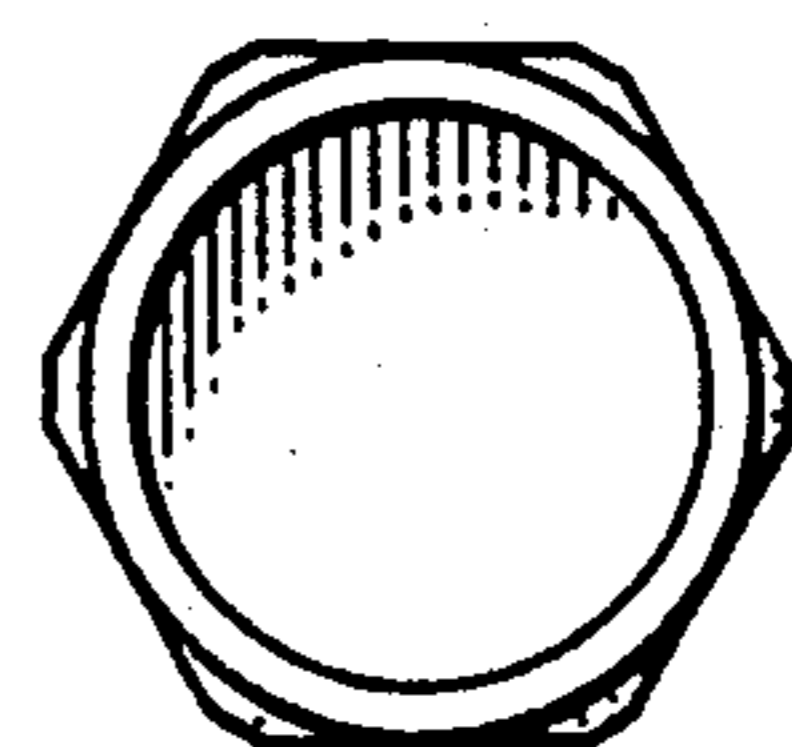


FIG. 6