



US00D338183S

United States Patent [19]

Spiwak

[11] Patent Number: **Des. 338,183**

[45] Date of Patent: **** Aug. 10, 1993**

[54] **DUAL VISOR**

[75] Inventor: **Ken Spiwak, Coral Springs, Fla.**

[73] Assignee: **Ken Howard Industries, Inc.,
Homewood, Ill.**

[**] Term: **14 Years**

[21] Appl. No.: **362**

[22] Filed: **Oct. 13, 1992**

[52] U.S. Cl. **D12/191**

[58] Field of Search **D12/191; 296/97.1, 97.6,
296/97.7, 97.8, 97.11**

3,877,745	4/1975	Girard	296/97 C
4,169,552	10/1979	Lichtenstein et al.	296/97 C
4,521,047	6/1985	Saxman	296/97.1
4,526,415	7/1985	Jardine	296/97 F
4,580,829	4/1986	Matheopoulos	296/97.6
4,666,205	5/1987	Nakagawa	296/97 K
4,681,363	7/1987	Hemmeke et al.	296/97.6
4,828,314	5/1989	Gavagan	296/97.8
4,921,300	5/1990	Lawassani et al.	296/97.11
4,950,021	8/1990	Vandagriff	296/97.6

Primary Examiner—James M. Gandy
Attorney, Agent, or Firm—Wallenstein, Wagner & Hattis, Ltd.

[56] **References Cited**

U.S. PATENT DOCUMENTS

2,261,881	11/1941	Horstmann	296/97.6
2,634,161	4/1953	Beets	296/97.11
2,701,612	2/1955	Steidel	160/211
2,833,591	5/1958	Kurtzke	296/97
2,965,416	12/1960	Dryden	296/97.8
3,095,233	6/1963	Dryden	296/97.6
3,191,986	6/1965	Simon	296/97.8
3,206,244	9/1965	Kurvink	296/97
3,410,602	11/1968	Schuler	296/97
3,679,068	3/1972	Moynihan	296/97 C
3,679,255	7/1972	Nacarato	296/97 C

[57] **CLAIM**

The ornamental design for a dual visor, as shown and described.

DESCRIPTION

FIG. 1 is a perspective view of a dual visor showing my new design;
FIG. 2 is a front elevation view thereof;
FIG. 3 is a right elevation view thereof;
FIG. 4 is a left side elevation view thereof;
FIG. 5 is a rear elevation view thereof;
FIG. 6 is a top plan view thereof; and,
FIG. 7 is a bottom plan view thereof.

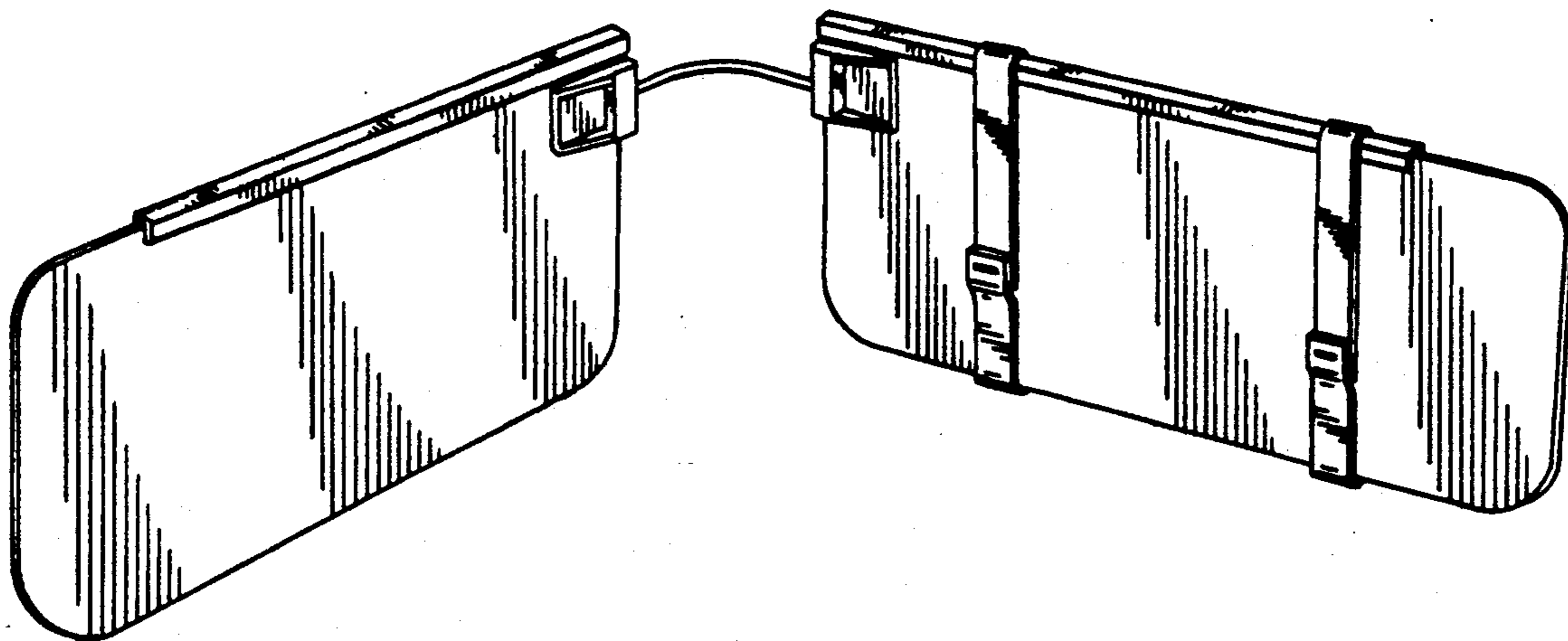


FIG. 1

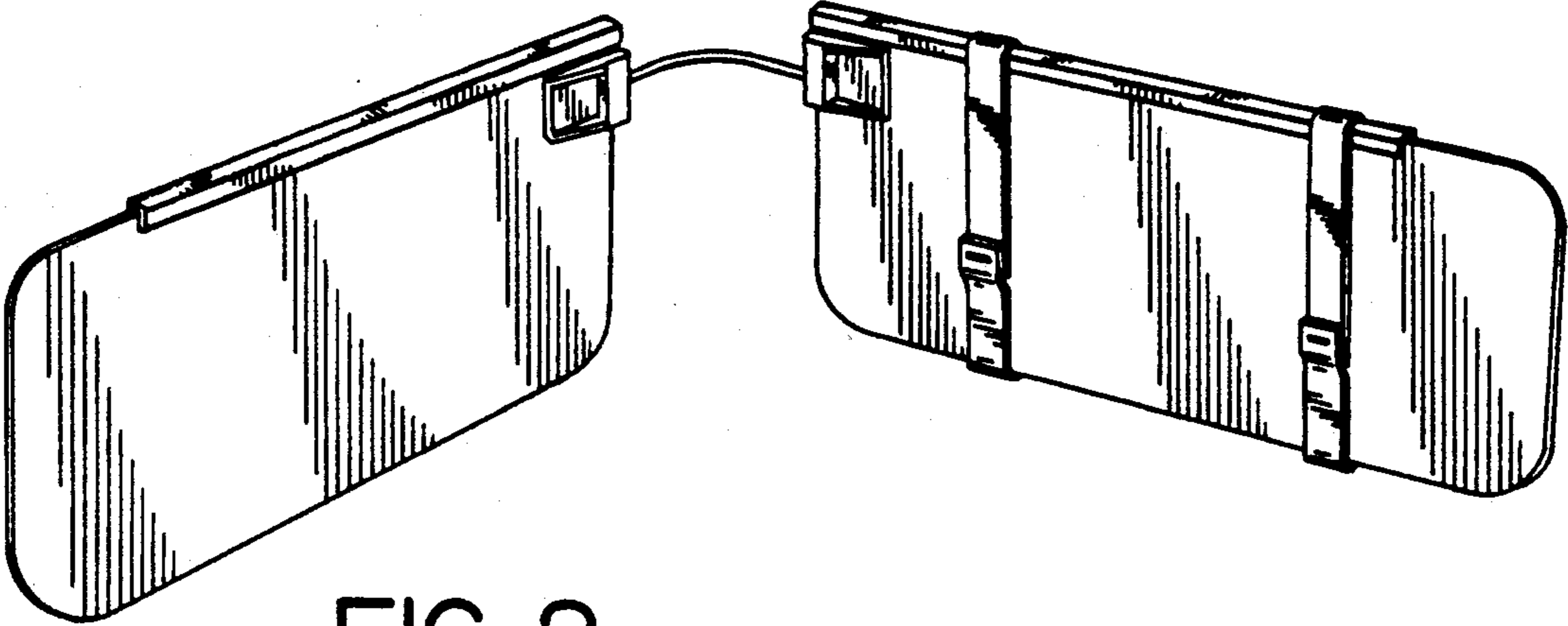


FIG. 2

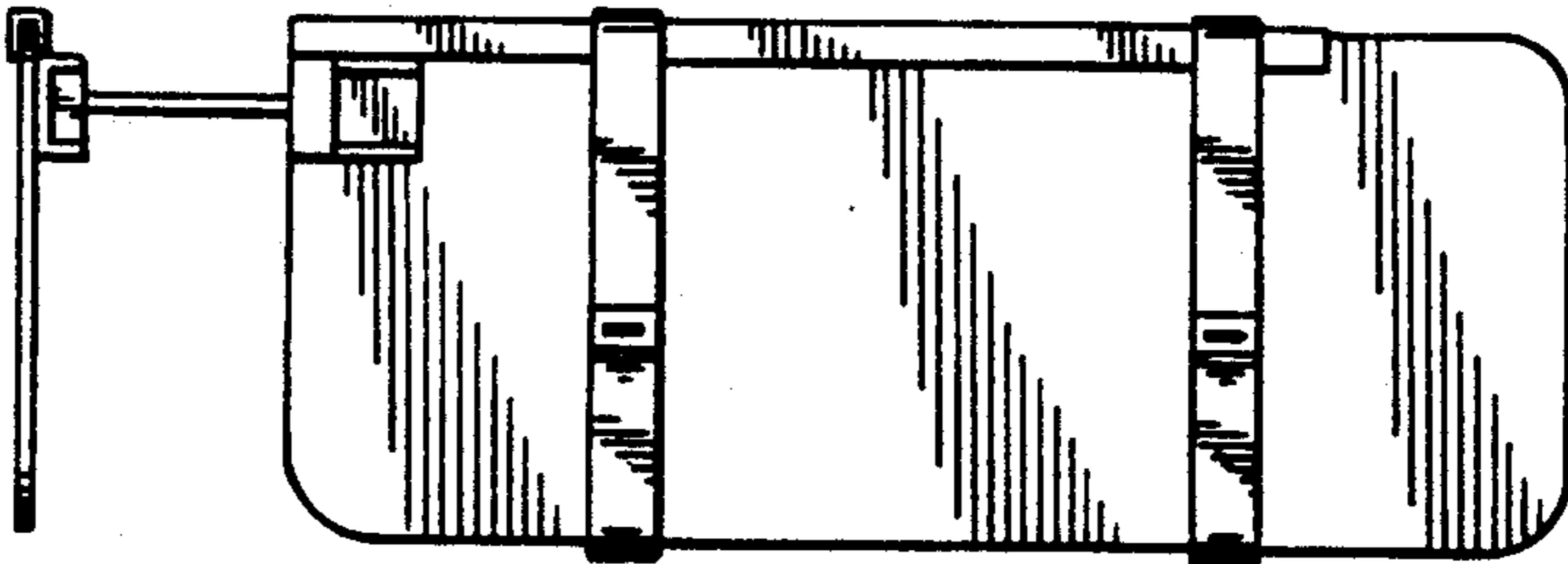


FIG. 3

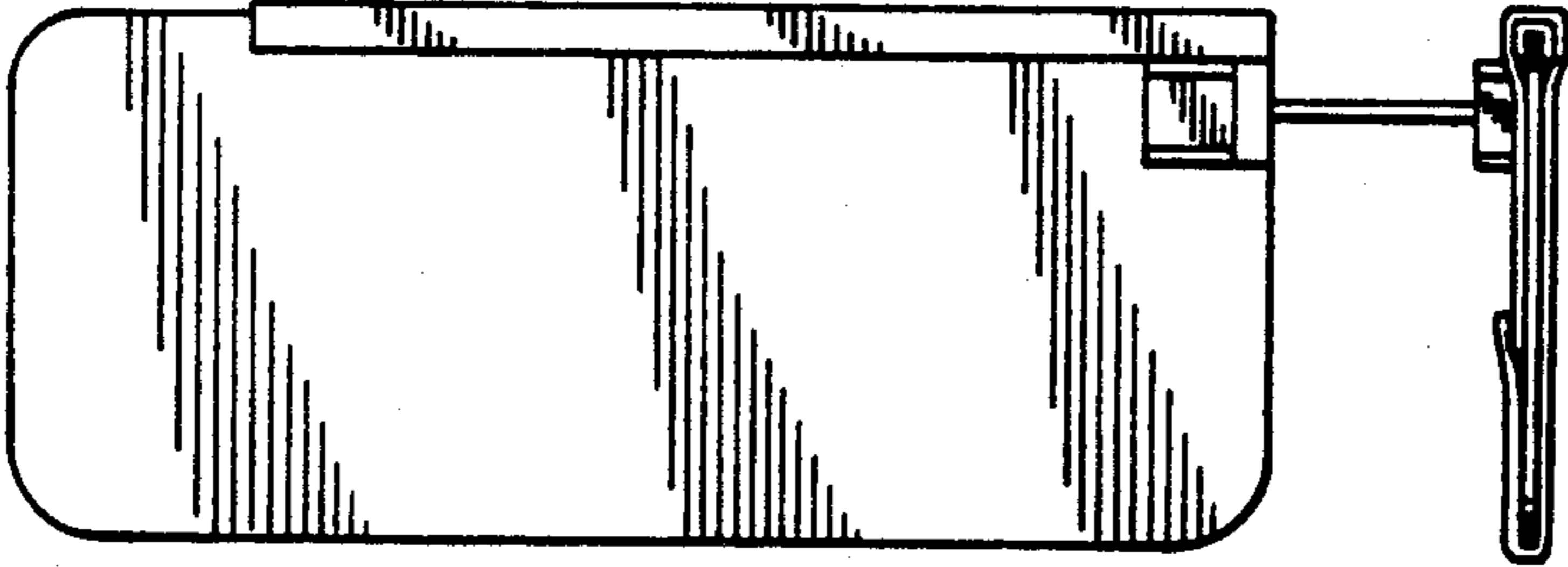


FIG. 4

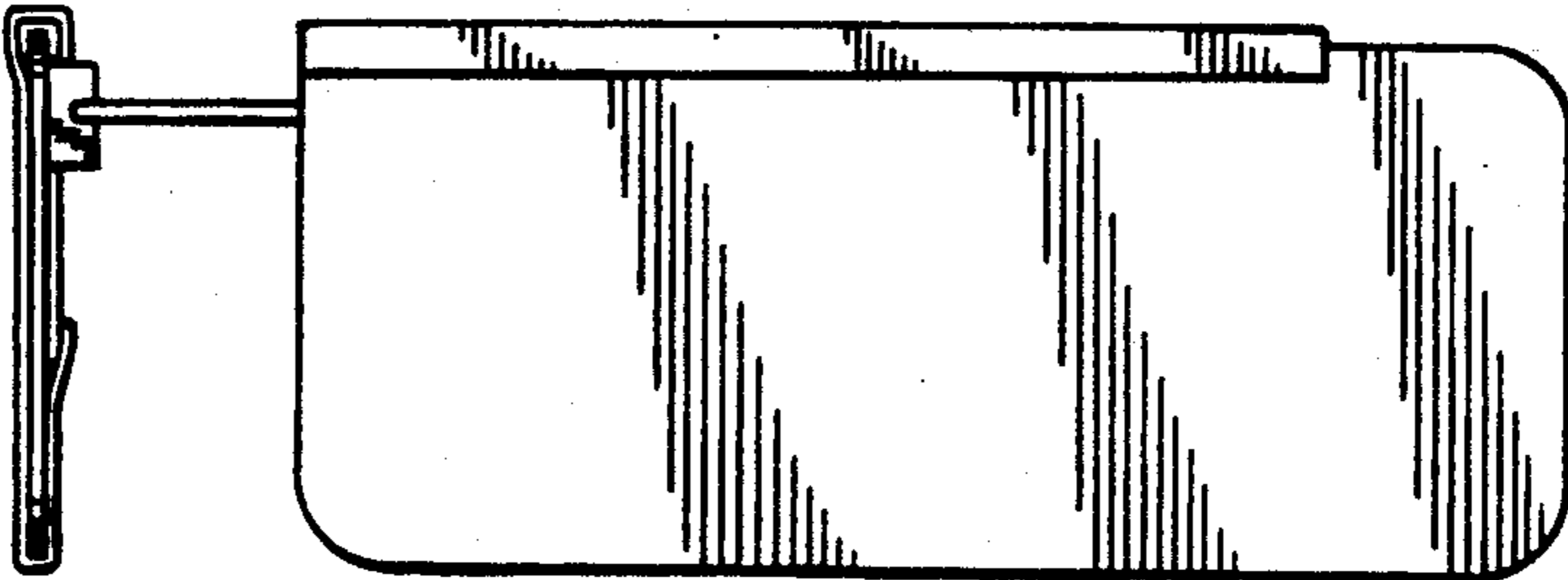


FIG. 5

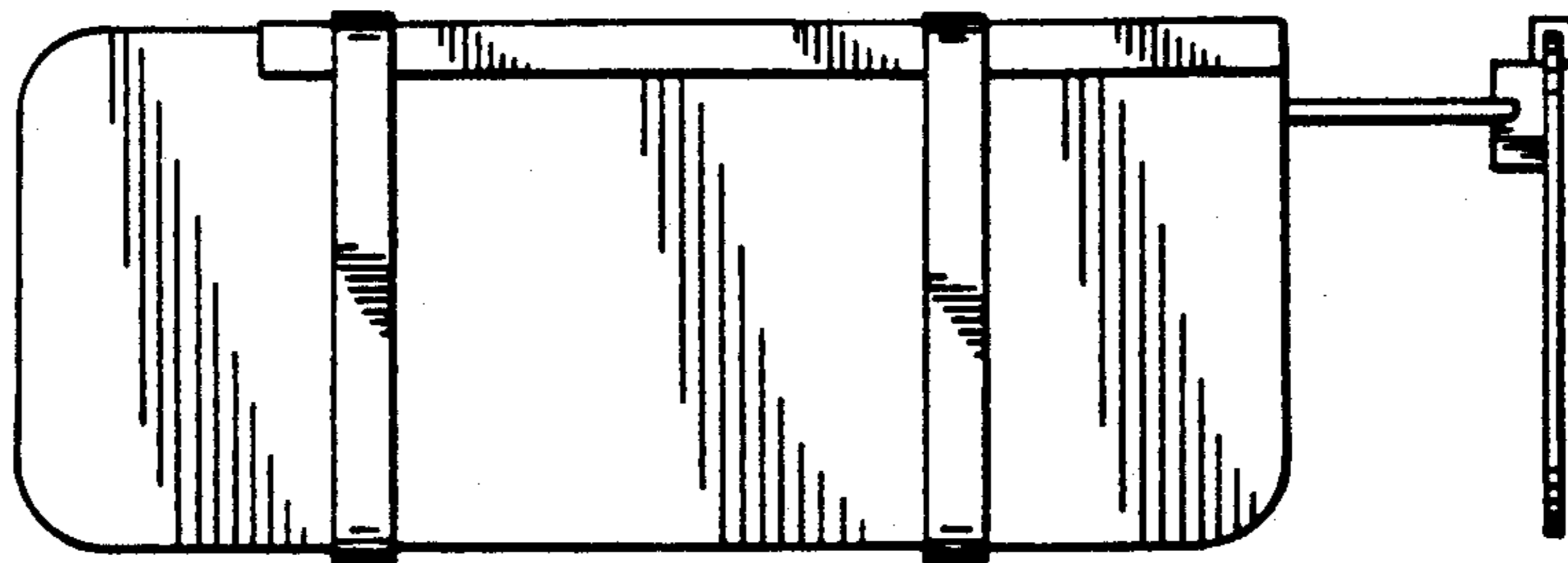


FIG. 6

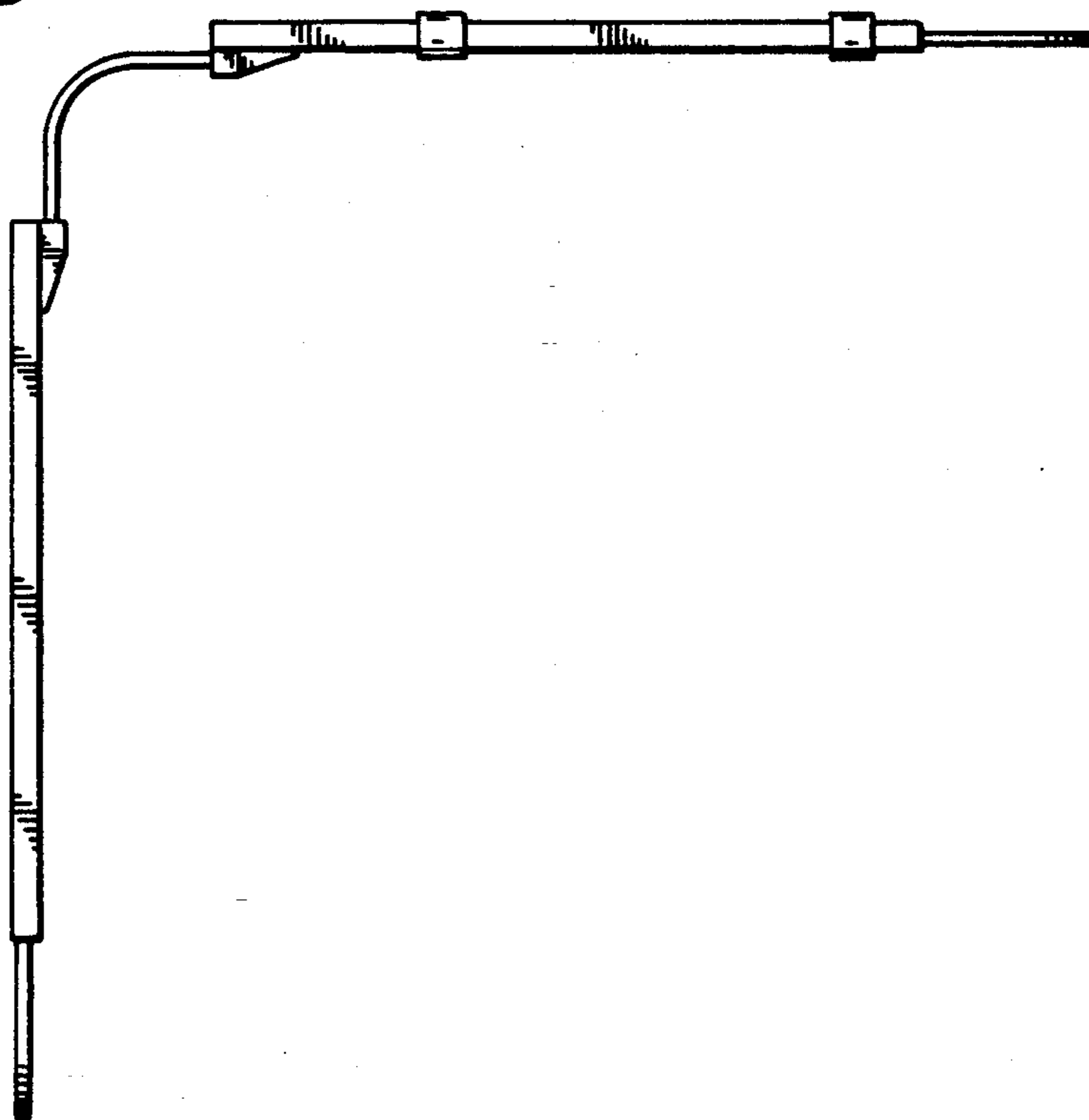


FIG. 7

