



US00D338162S

# United States Patent [19]

[11] Patent Number: Des. 338,162

Hicks

[45] Date of Patent: \*\* Aug. 10, 1993

[54] **ATMOSPHERIC PRESSURE WARNING DEVICE**

[76] Inventor: Ted A. Hicks, 437 N. Main Ave., Republic, Mo. 65738

[\*\*] Term: 14 Years

[21] Appl. No.: 802,757

[22] Filed: Dec. 9, 1991

[52] U.S. Cl. .... D10/52

[58] Field of Search ..... D10/49, 51, 52, 55, D10/56; 73/338, 336; 374/141-143, 194, 208; 204/153.16, 153.1, 400, 412, 415

[56] **References Cited**

**U.S. PATENT DOCUMENTS**

D. 331,024 11/1992 DeRidder ..... D10/49 X  
3,855,863 12/1974 Kuehn et al. .... D10/49 X

*Primary Examiner*—Alan P. Douglas  
*Assistant Examiner*—A. D. Davis  
*Attorney, Agent, or Firm*—Richard C. Litman

[57] **CLAIM**

The ornamental design for an atmospheric pressure warning device, as shown and described.

**DESCRIPTION**

FIG. 1 is a front and bottom perspective view of an atmospheric pressure warning device showing my new design;

FIG. 2 is a front elevational view thereof; and,

FIG. 3 is a bottom plan view thereof.

The left and right side elevational views and top plan view are identical to the bottom plan view of FIG. 3, and the rear elevational view is plain and unornamented.

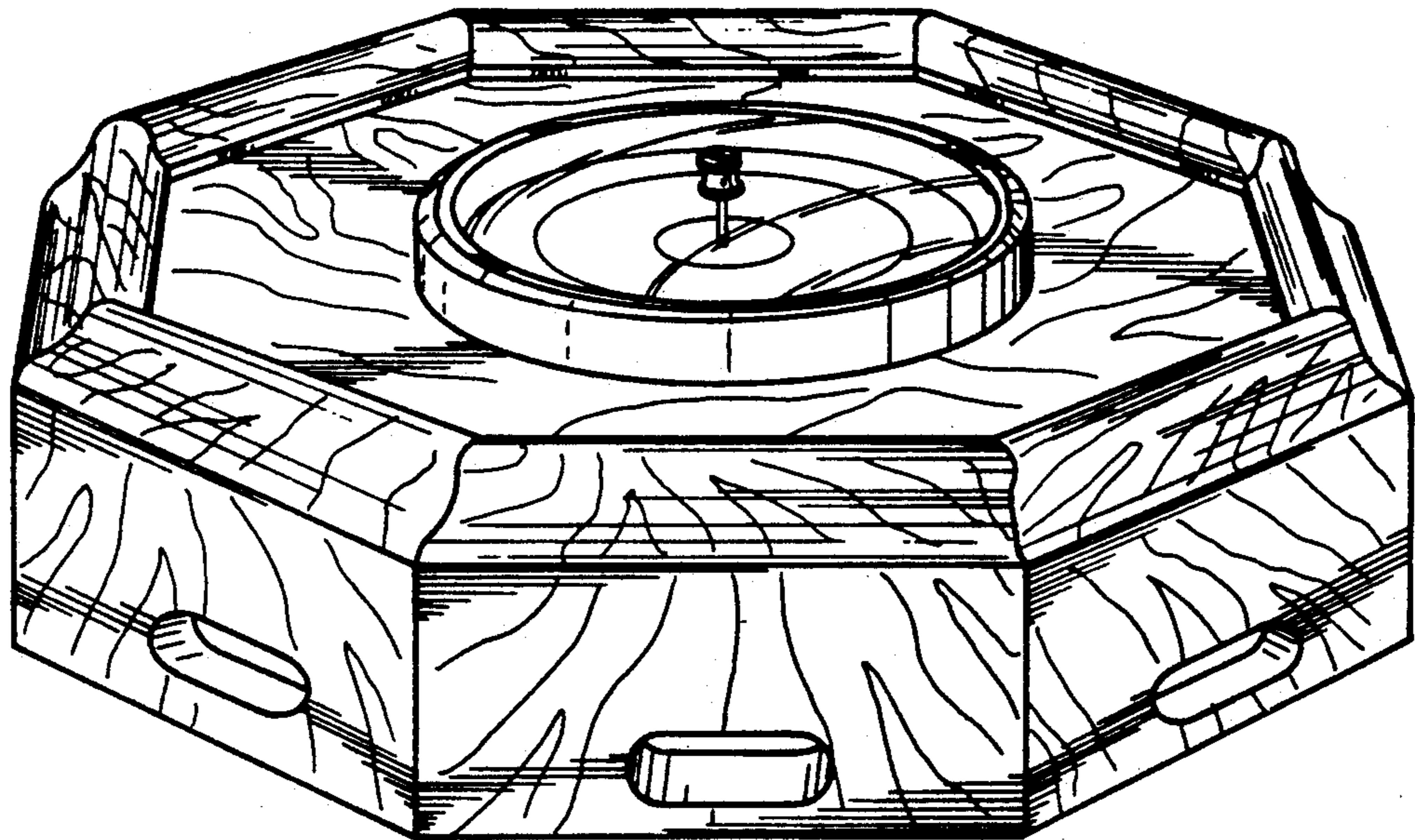


FIG. 1

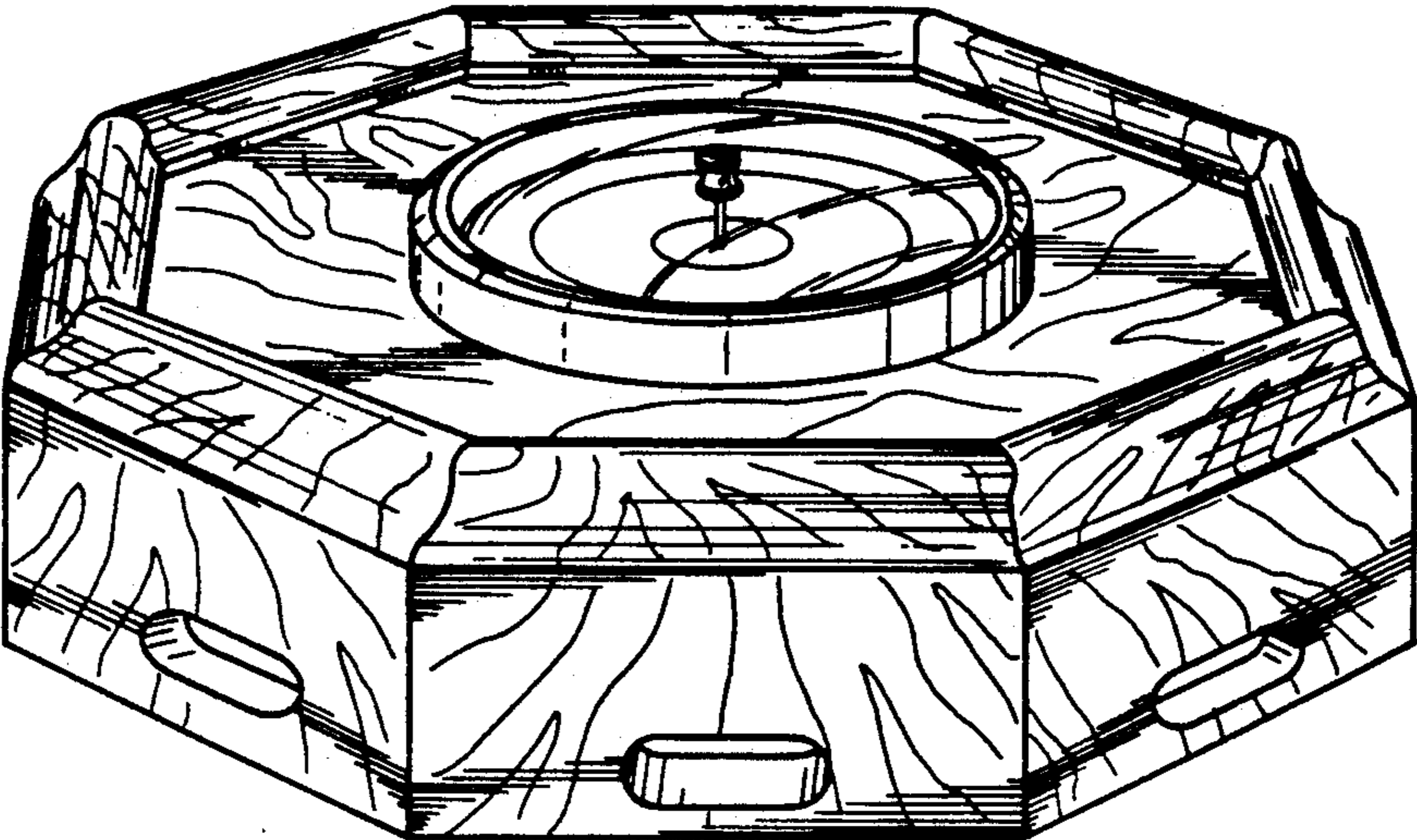


FIG. 2

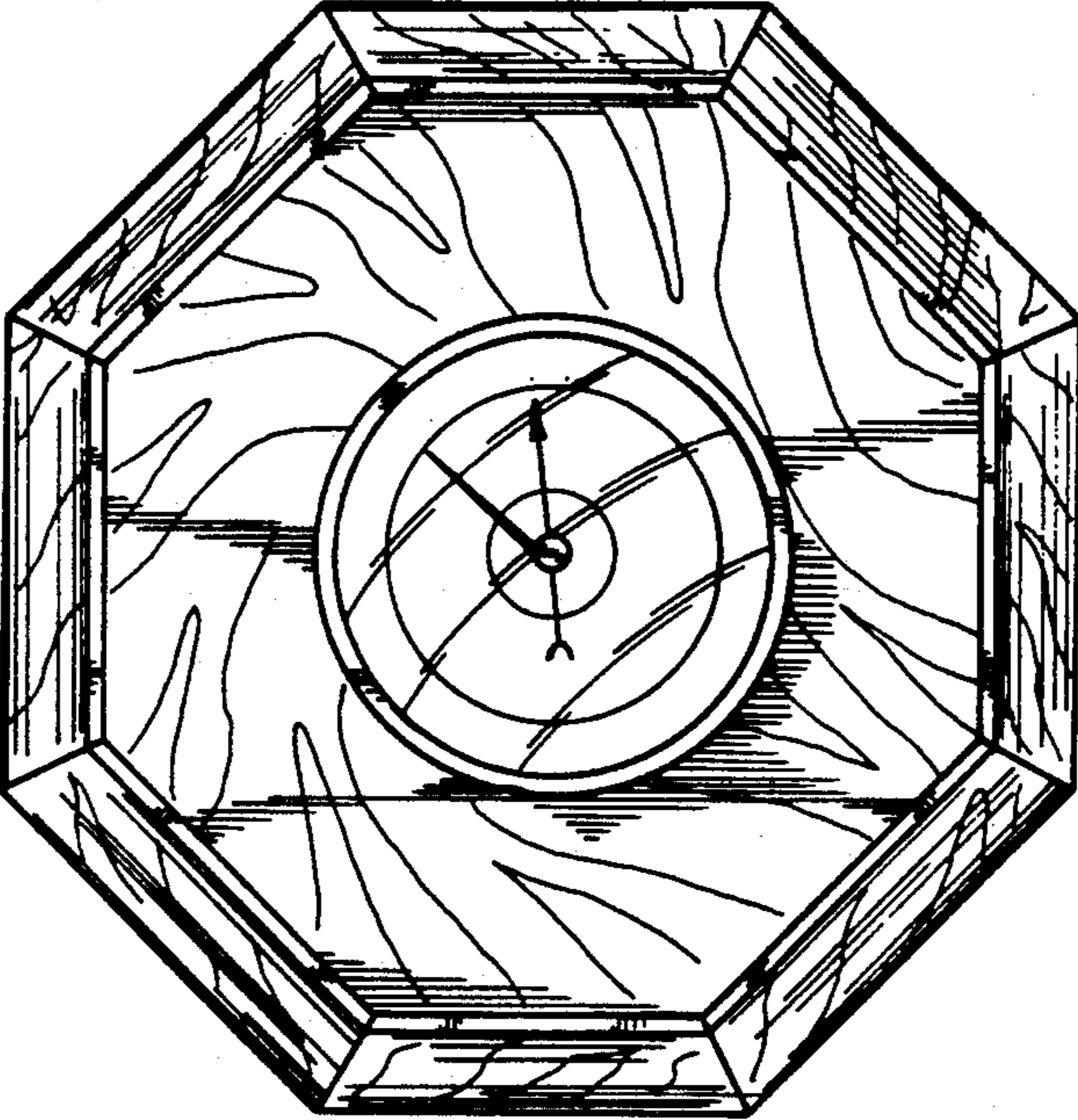


FIG. 3

