



US00D338152S

United States Patent [19]
Franklin

[11] **Patent Number: Des. 338,152**

[45] **Date of Patent: ** Aug. 10, 1993**

[54] **SNAP HOOK**

[75] **Inventor: Dana Franklin, Denver, Colo.**

[73] **Assignee: Samsonite Corporation, Denver, Colo.**

[**] **Term: 14 Years**

[21] **Appl. No.: 670,150**

[22] **Filed: Mar. 15, 1991**

[52] **U.S. Cl. D8/382; D8/349; D8/367**

[58] **Field of Search D8/349, 382, 367; 24/318, 319, 265 R, 265 H, 185, 598.2, 601.5, 614, 682, 700**

[56] **References Cited**

U.S. PATENT DOCUMENTS

- D. 247,951 5/1978 Anthony D8/382
- D. 267,230 12/1982 LaViolette et al. D8/382

- D. 281,222 11/1985 Faidide D8/382
- D. 284,933 8/1986 Murphy D8/382
- D. 296,301 6/1988 Kasai D8/382
- D. 308,471 6/1990 Morai D8/382
- 4,577,374 3/1986 Lii 24/265 H

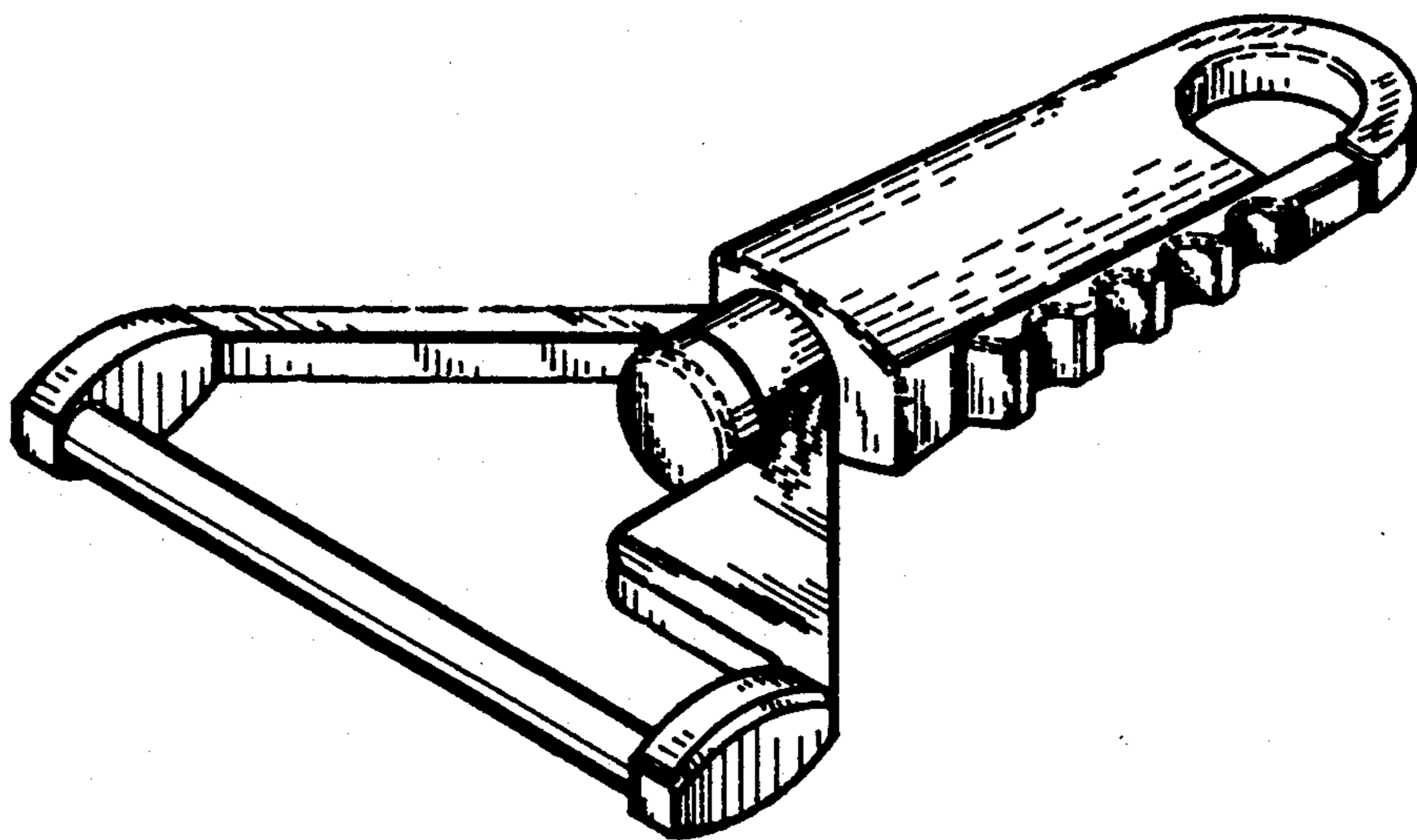
Primary Examiner—B. J. Bullock
Attorney, Agent, or Firm—Gregory W. O'Connor

[57] **CLAIM**

The ornamental design for a snap hook, as shown and described.

DESCRIPTION

FIG. 1 is a perspective view of a snap hook showing my new design;
FIG. 2 is a front view thereof;
FIG. 3 is a bottom view thereof;
FIG. 4 is a left end view thereof;
FIG. 5 is a right end view thereof;
FIG. 6 is a rear view thereof; and,
FIG. 7 is a top view thereof.



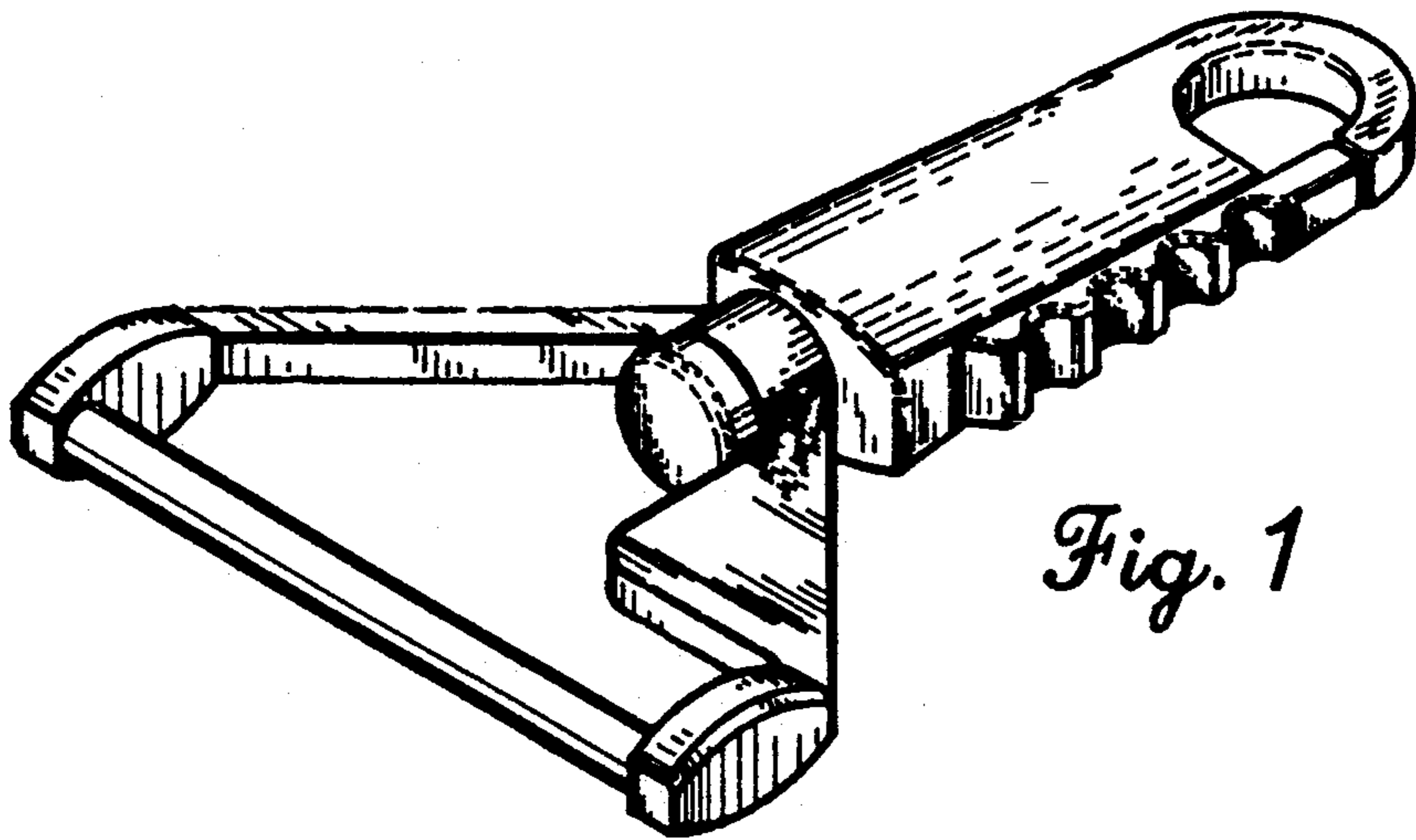


Fig. 1



Fig. 2



Fig. 4

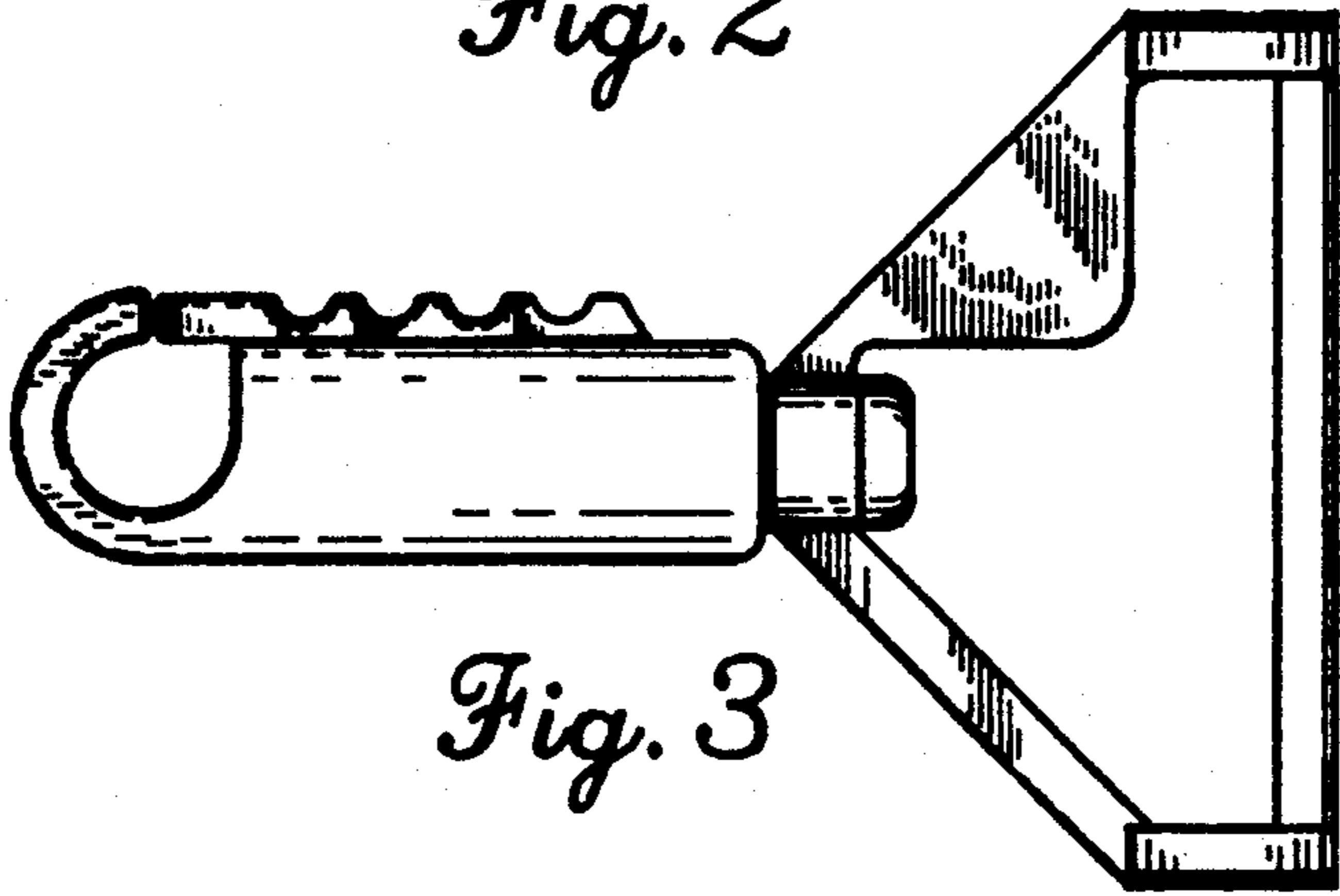


Fig. 3



Fig. 5



Fig. 6

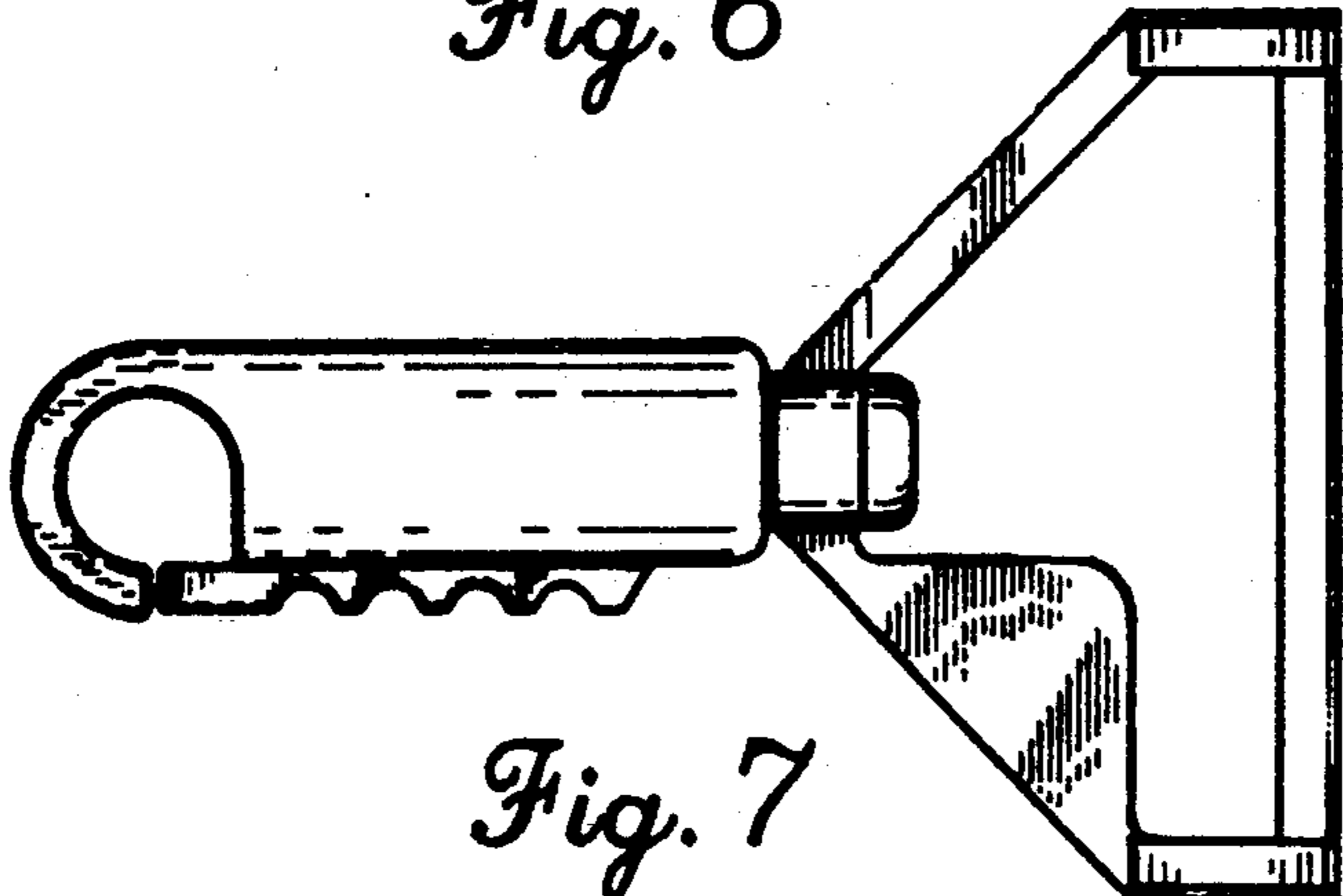


Fig. 7