



US00D338148S

United States Patent [19]

[11] Patent Number: **Des. 338,148**

Gowdy

[45] Date of Patent: **** Aug. 10, 1993**

[54] **WELDER QUALIFICATION TEST COUPON JIG**

4,300,754 11/1981 Lawrence 269/246

[76] Inventor: **James L. Gowdy, 154 Carroll Ave., Lake Ronkonkoma, N.Y. 11779**

Primary Examiner—Alan P. Douglas
Assistant Examiner—J. H. Musgrove
Attorney, Agent, or Firm—Galvano & Belkin

[**] Term: **14 Years**

[57] **CLAIM**

[21] Appl. No.: **765,106**

The ornamental design for a welder qualification test coupon jig, as shown and described.

[22] Filed: **Sep. 25, 1991**

DESCRIPTION

[52] U.S. Cl. **D8/71**

[58] Field of Search **D8/71, 70, 61; 269/246, 269/8, 208, 69, 126**

FIG. 1 is a perspective view of a welder qualification test coupon jig showing my new design;
FIG. 2 is a top plan view;
FIG. 3 is a side elevational view the opposite side be a mirror image;
FIG. 4 is a front elevational view;
FIG. 5 is a rear elevational view; and,
FIG. 6 is a bottom plan view.

[56] **References Cited**

U.S. PATENT DOCUMENTS

D. 232,153 7/1974 Pepper D8/70
4,281,826 8/1981 Calvert 269/246

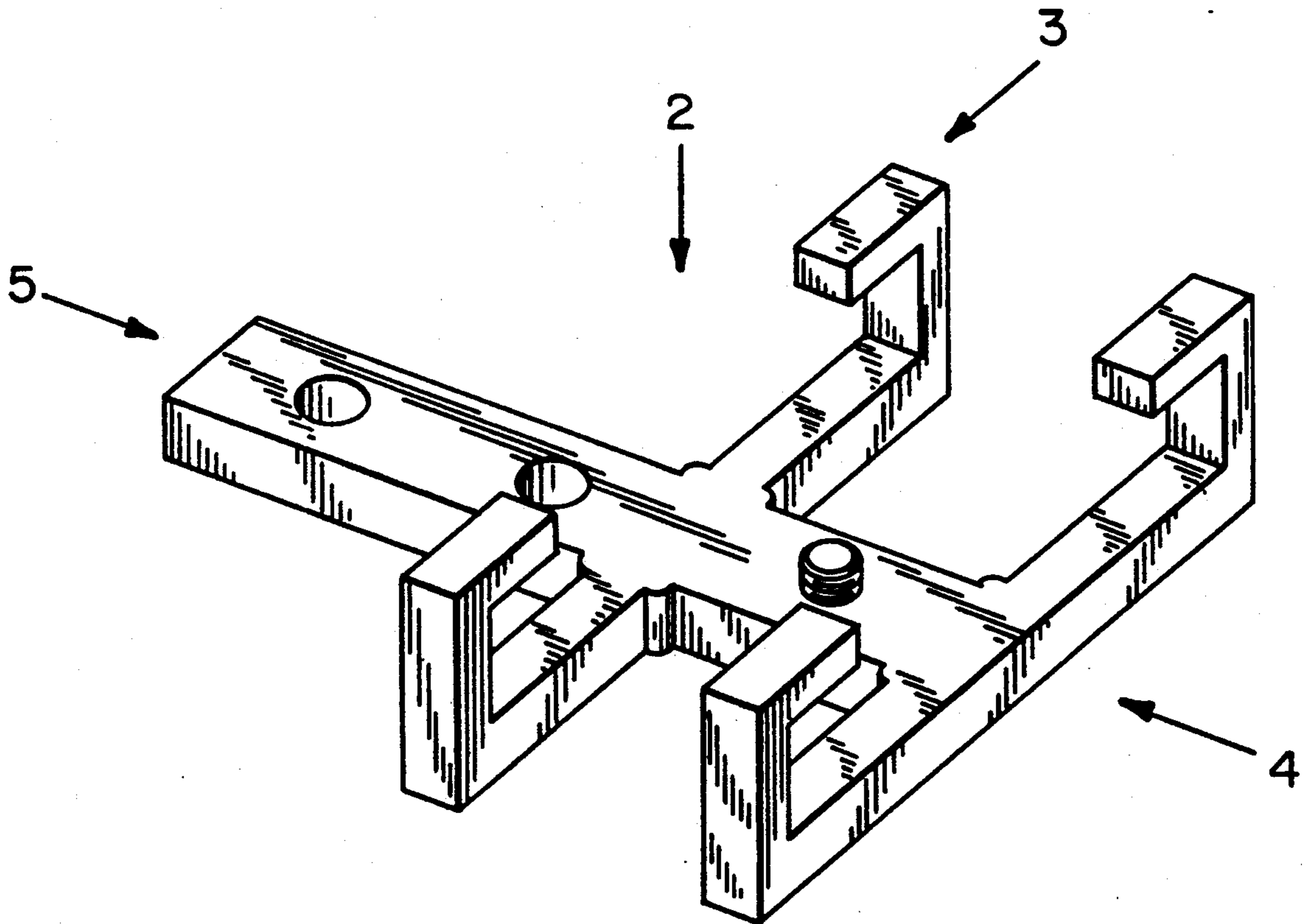


FIG. 1

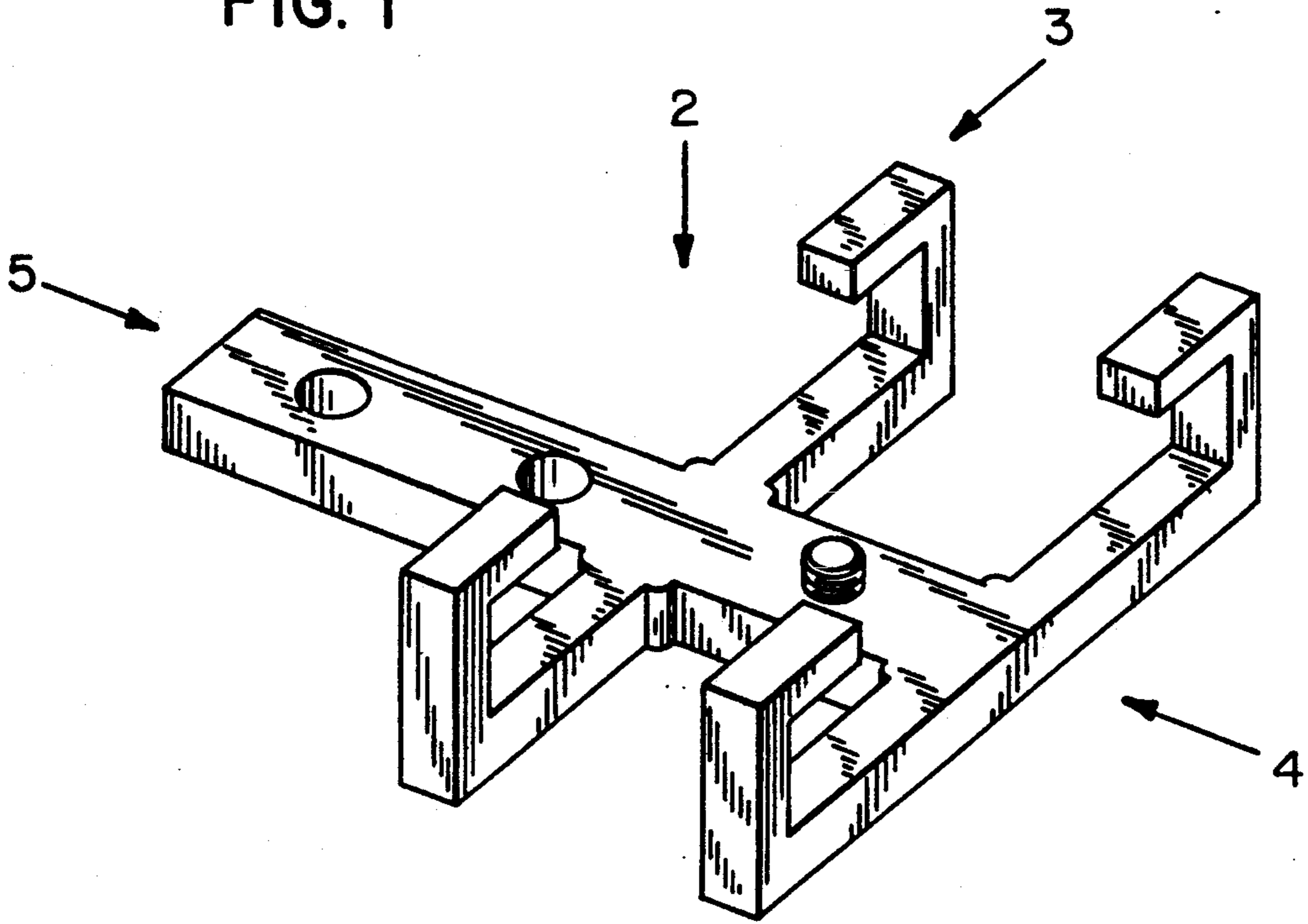


FIG. 2

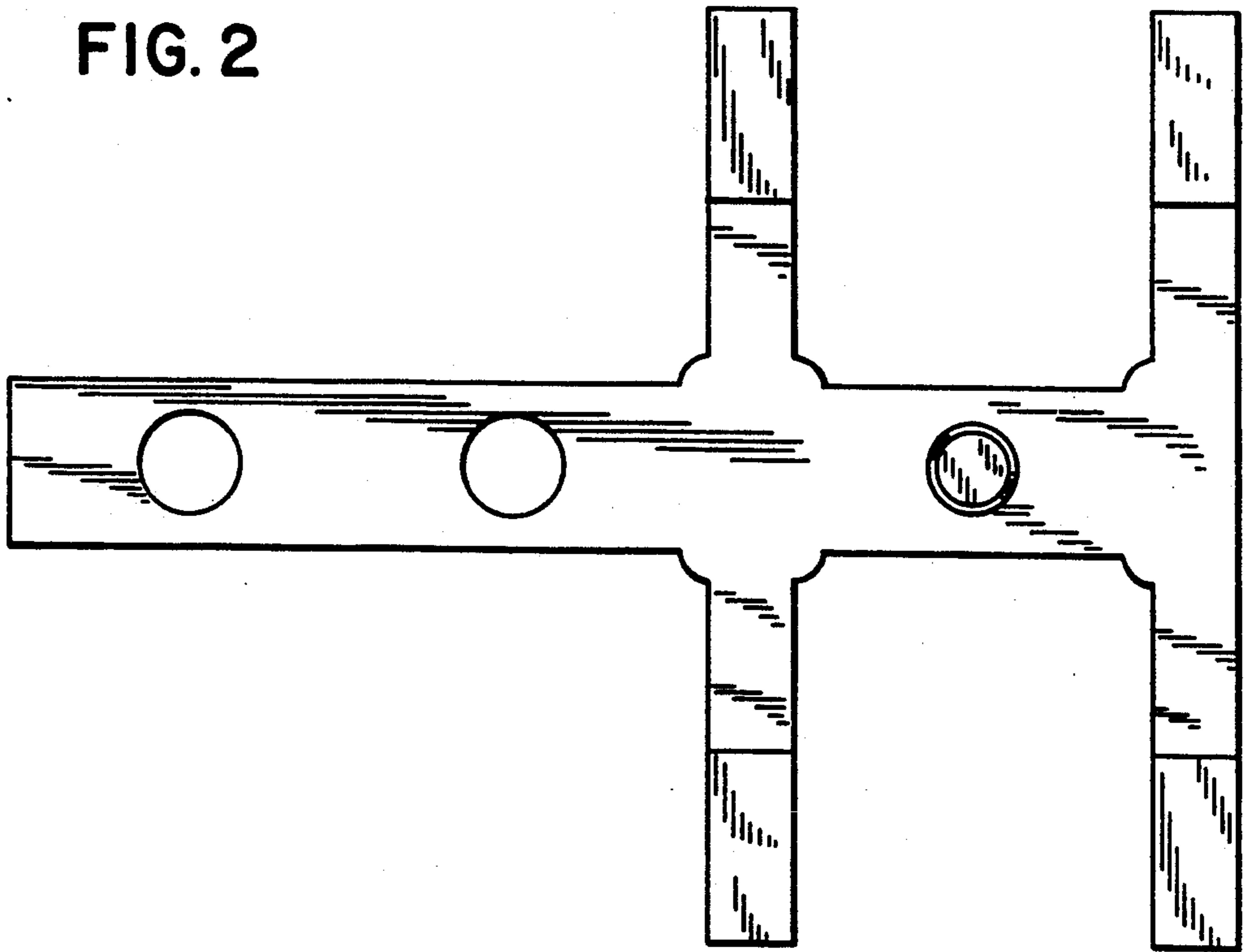


FIG. 3

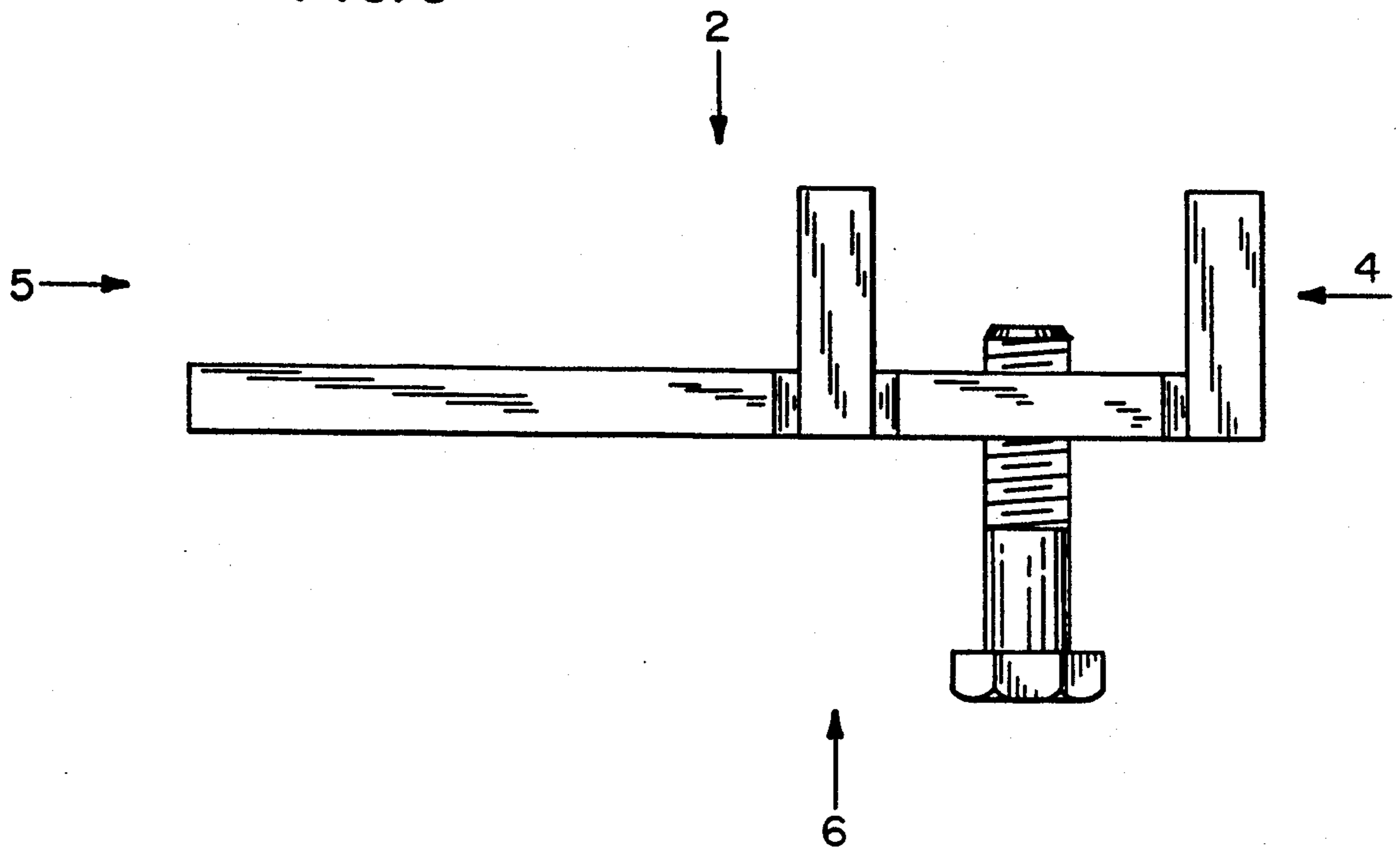


FIG. 4

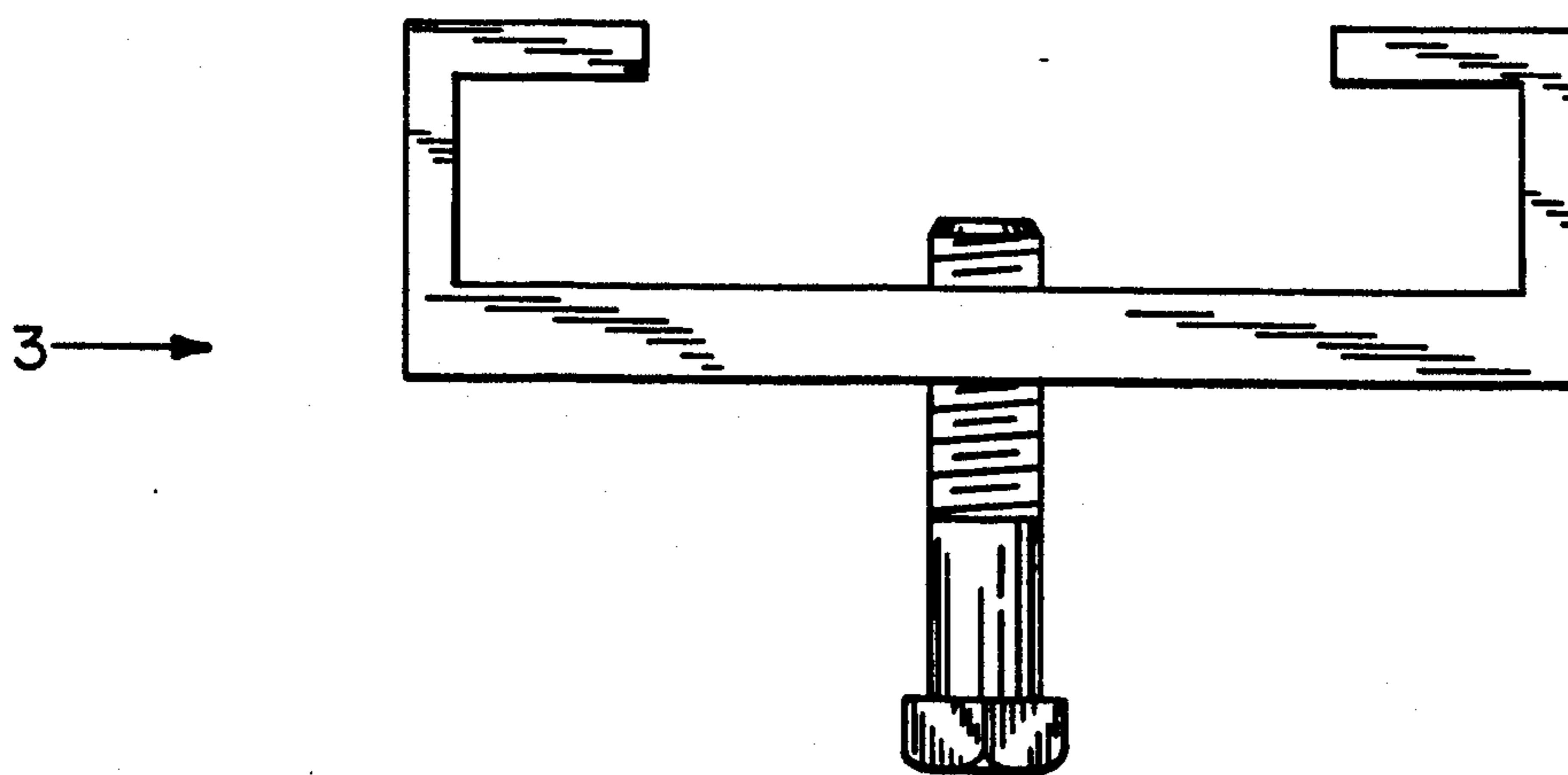


FIG. 5

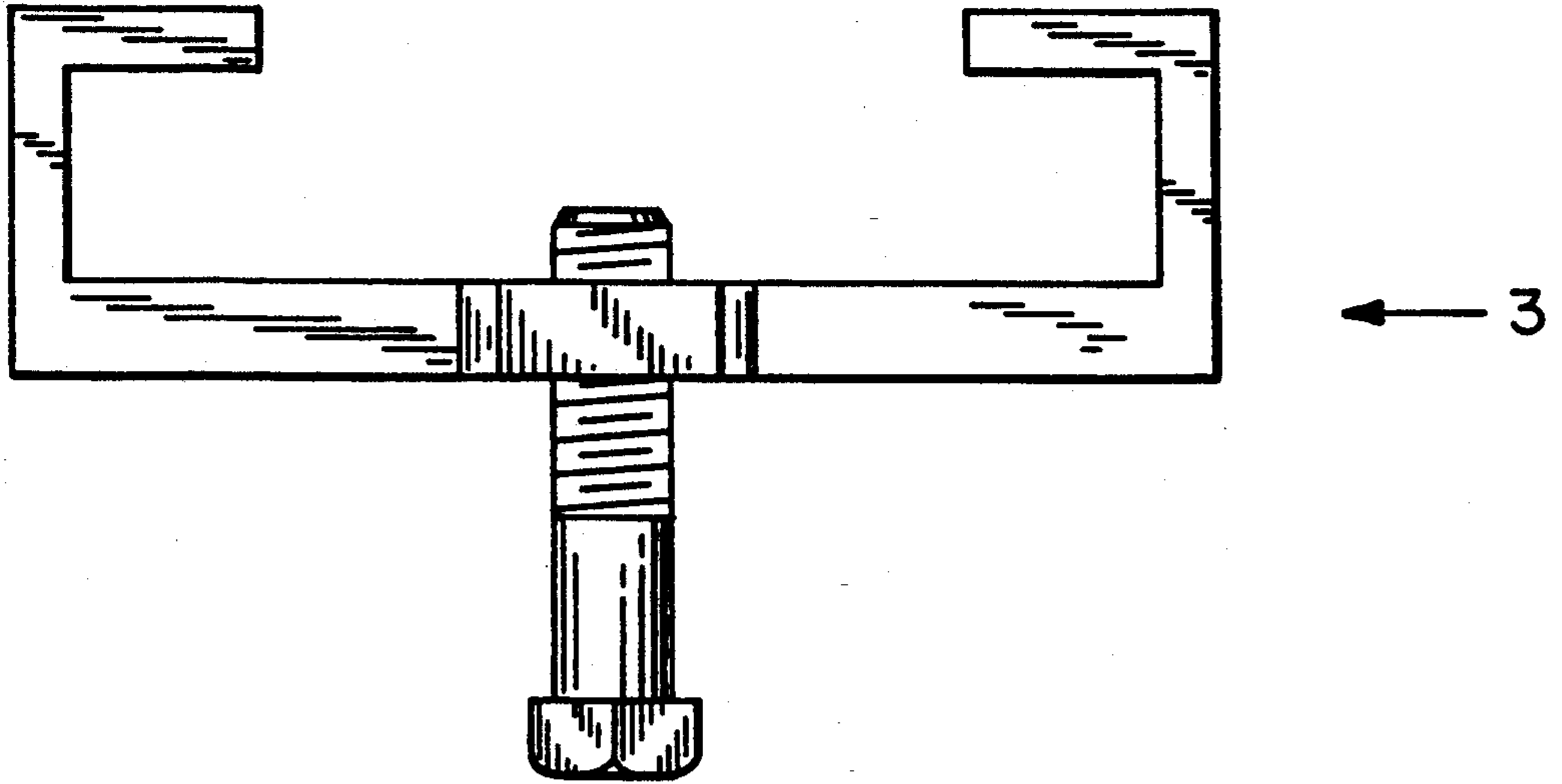


FIG. 6

