



US00D338146S

United States Patent [19]

[11] Patent Number: **Des. 338,146**

Gramera

[45] Date of Patent: **** Aug. 10, 1993**

[54] **EQUILATERAL TORQUE DRIVE
DOUBLE-ENDED SOCKET WRENCH FOR
HEXAGONAL FASTENERS**

5,048,379 9/1991 Gramera et al. 81/121.1

Primary Examiner—Alan P. Douglas
Assistant Examiner—J. H. Musgrove

[76] Inventor: **Robert E. Gramera, 704 C. R. 220,
Durango, Colo. 81301**

[57] **CLAIM**

The ornamental design for an equilateral torque drive double-ended socket wrench for hexagonal fasteners, as shown and described.

[**] Term: **14 Years**

[21] Appl. No.: **767,916**

DESCRIPTION

[22] Filed: **Sep. 30, 1991**

[52] U.S. Cl. **D8/70**

[58] Field of Search **D8/29, 70; 81/120, 124,
81/121.1, 124.6, 124.7**

FIG. 1 is an overall left open end to right end perspective view of an equilateral torque drive double-ended socket wrench for hexagonal fasteners, showing my new design;

FIG. 2 is a reverse perspective view, exposing the open right end of FIG. 1, thereof;

FIG. 3 is an elevational side view, which is a mirror image of the opposite elevational side view, thereof;

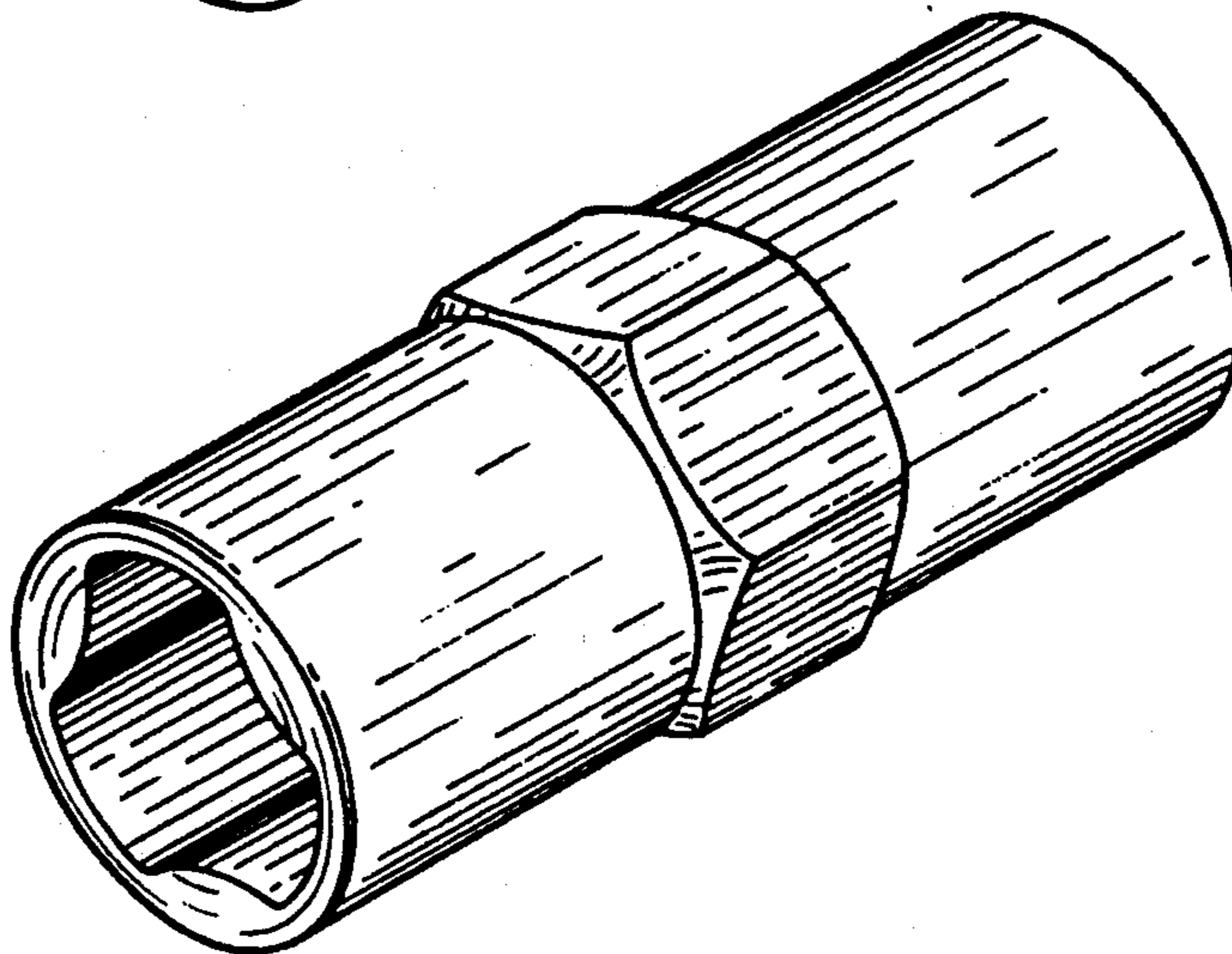
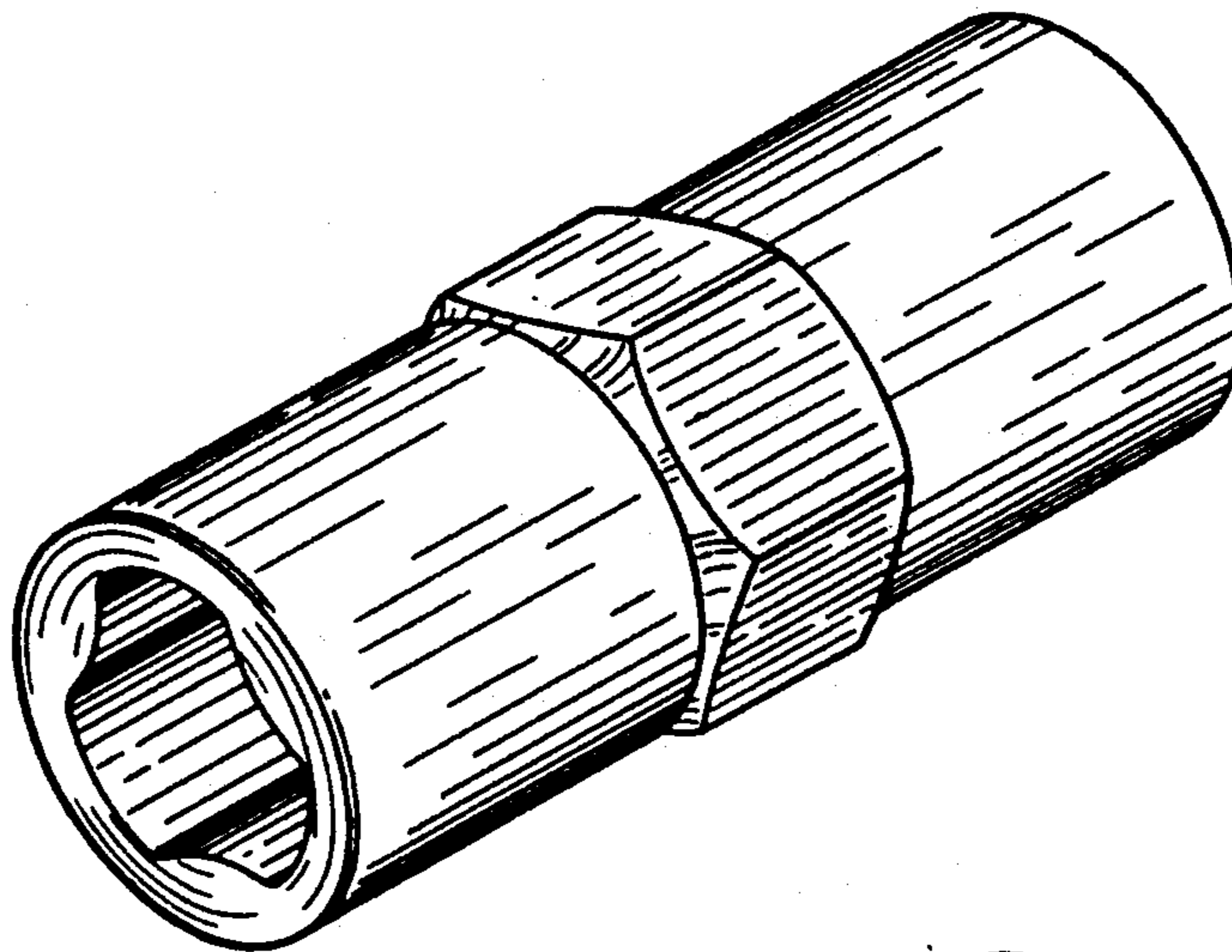
FIG. 4 is a left open end elevational view of FIG. 1 and 3, thereof; and,

FIG. 5 is a right open end elevational view of FIG. 2 and FIG. 3, thereof.

[56] **References Cited**

U.S. PATENT DOCUMENTS

3,079,819	3/1963	Wing	81/124.6
3,161,090	12/1964	McLellan	81/120
4,512,220	4/1985	Barnhill et al.	81/121.1
4,562,758	1/1986	Stirling	81/124.7
4,598,616	7/1986	Colvin	81/124.6



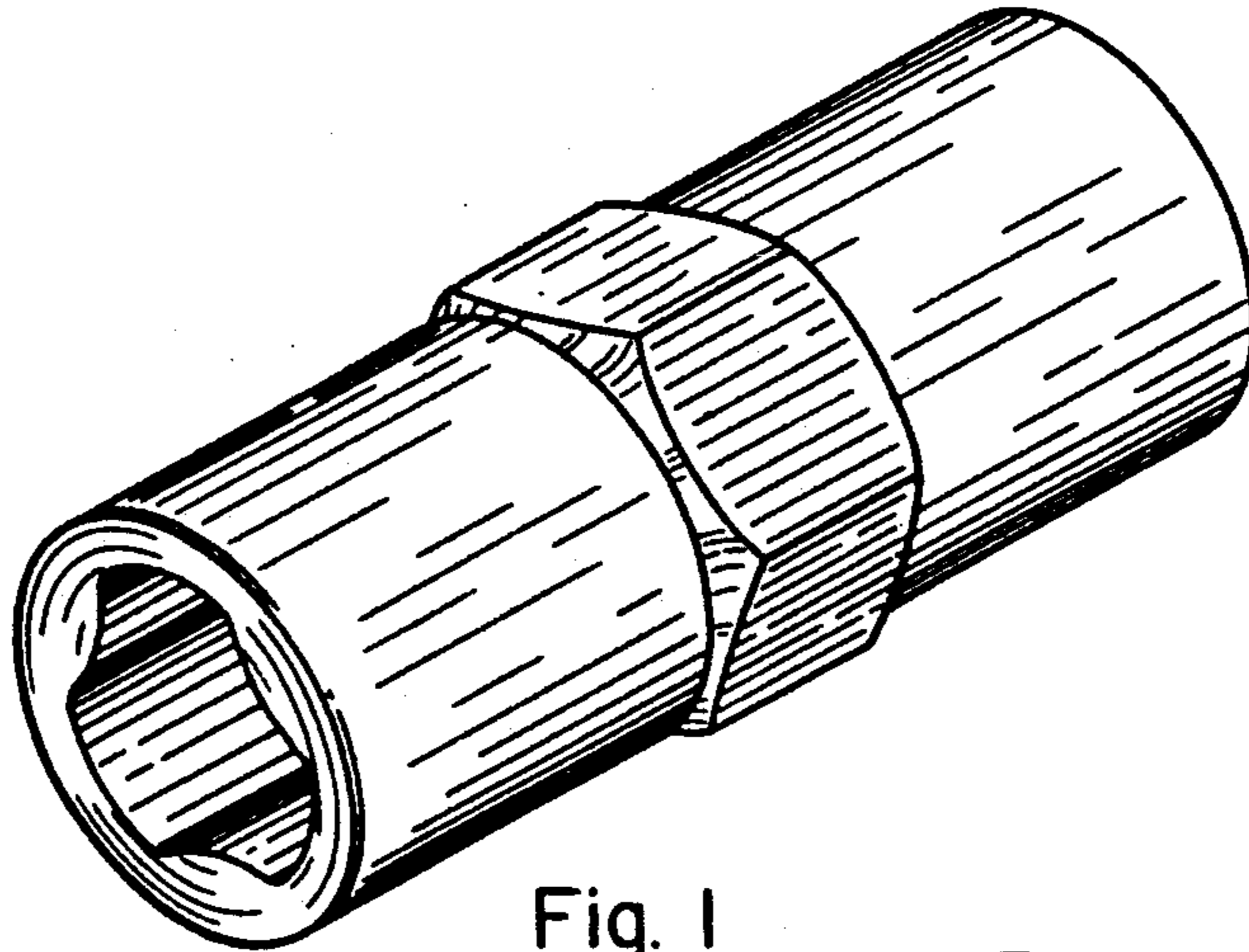


Fig. 1

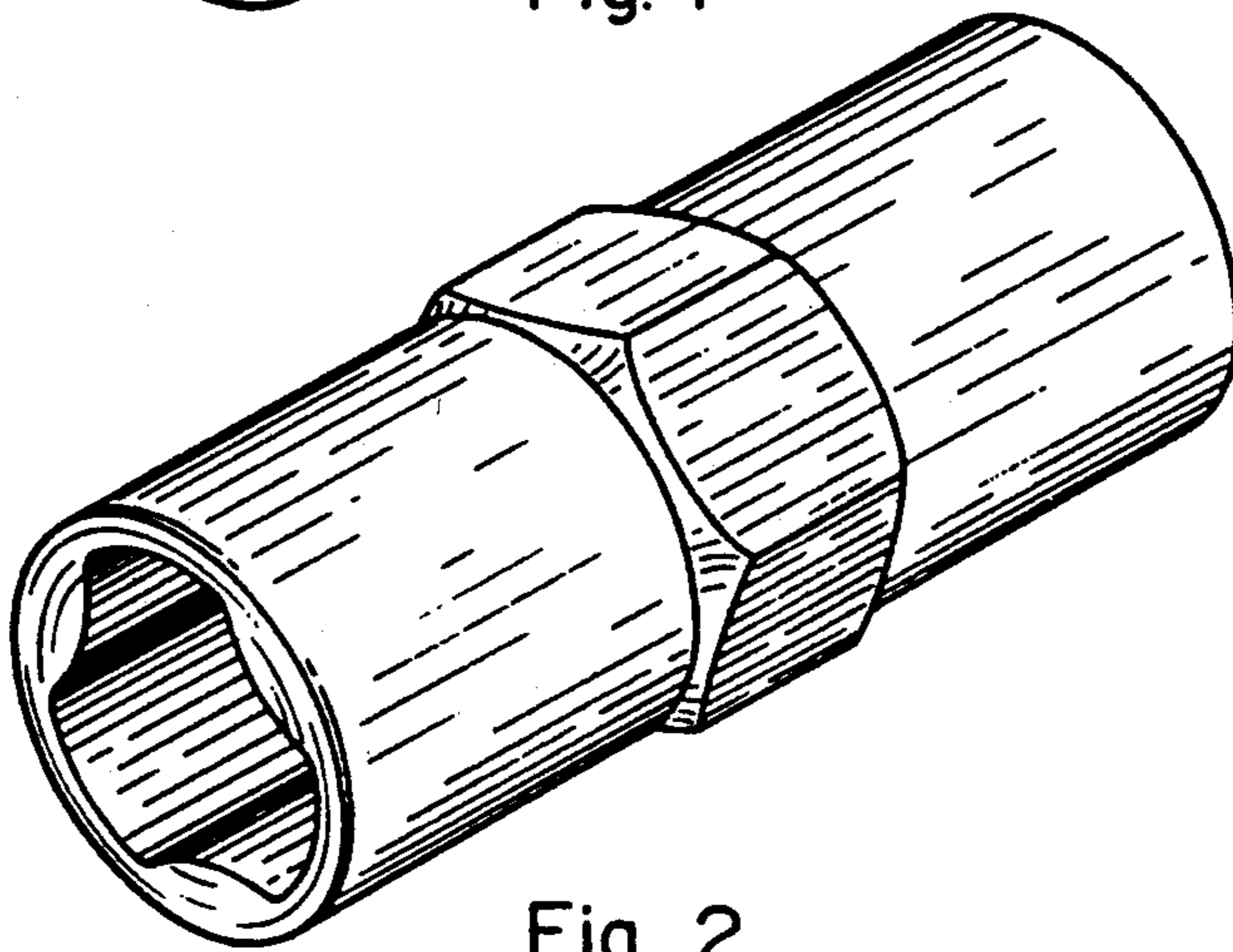


Fig. 2

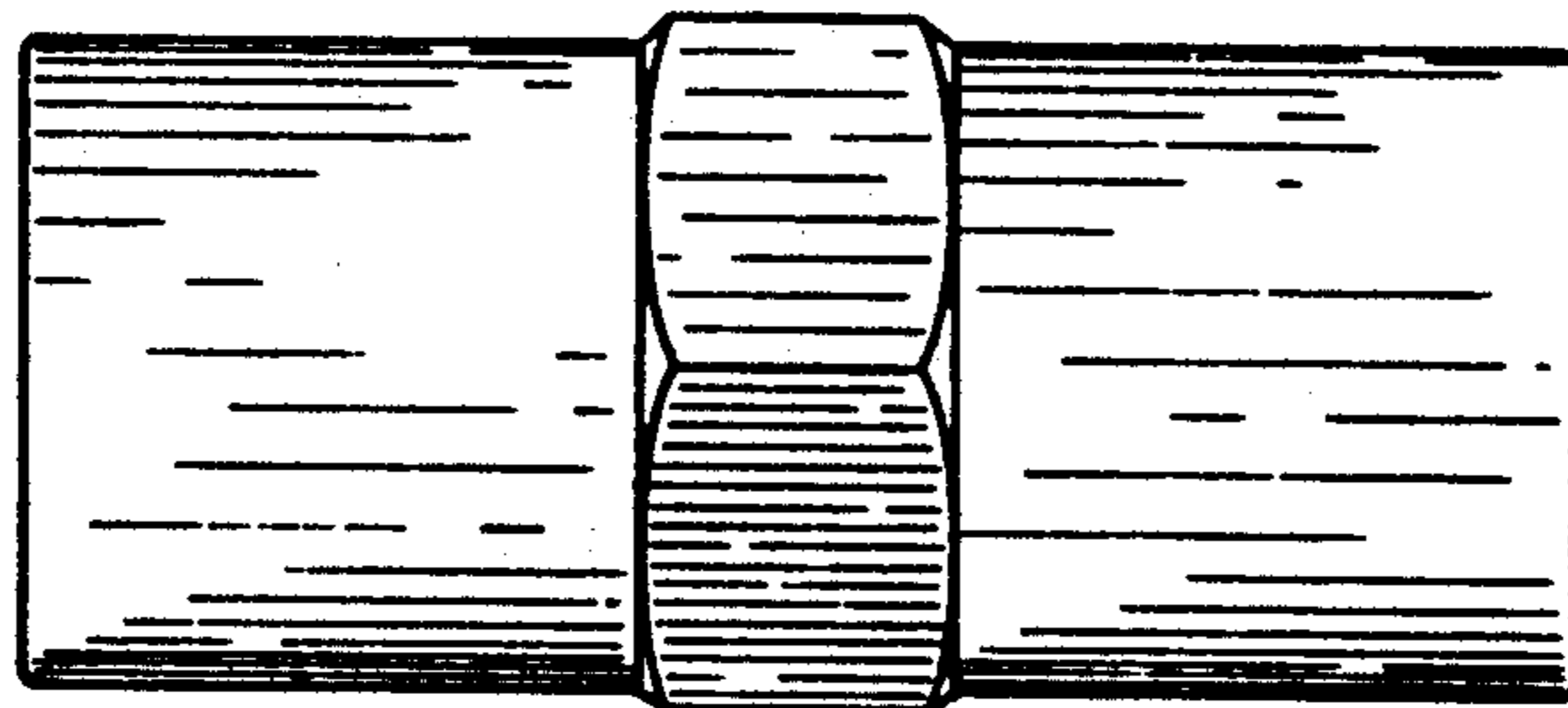


Fig. 3

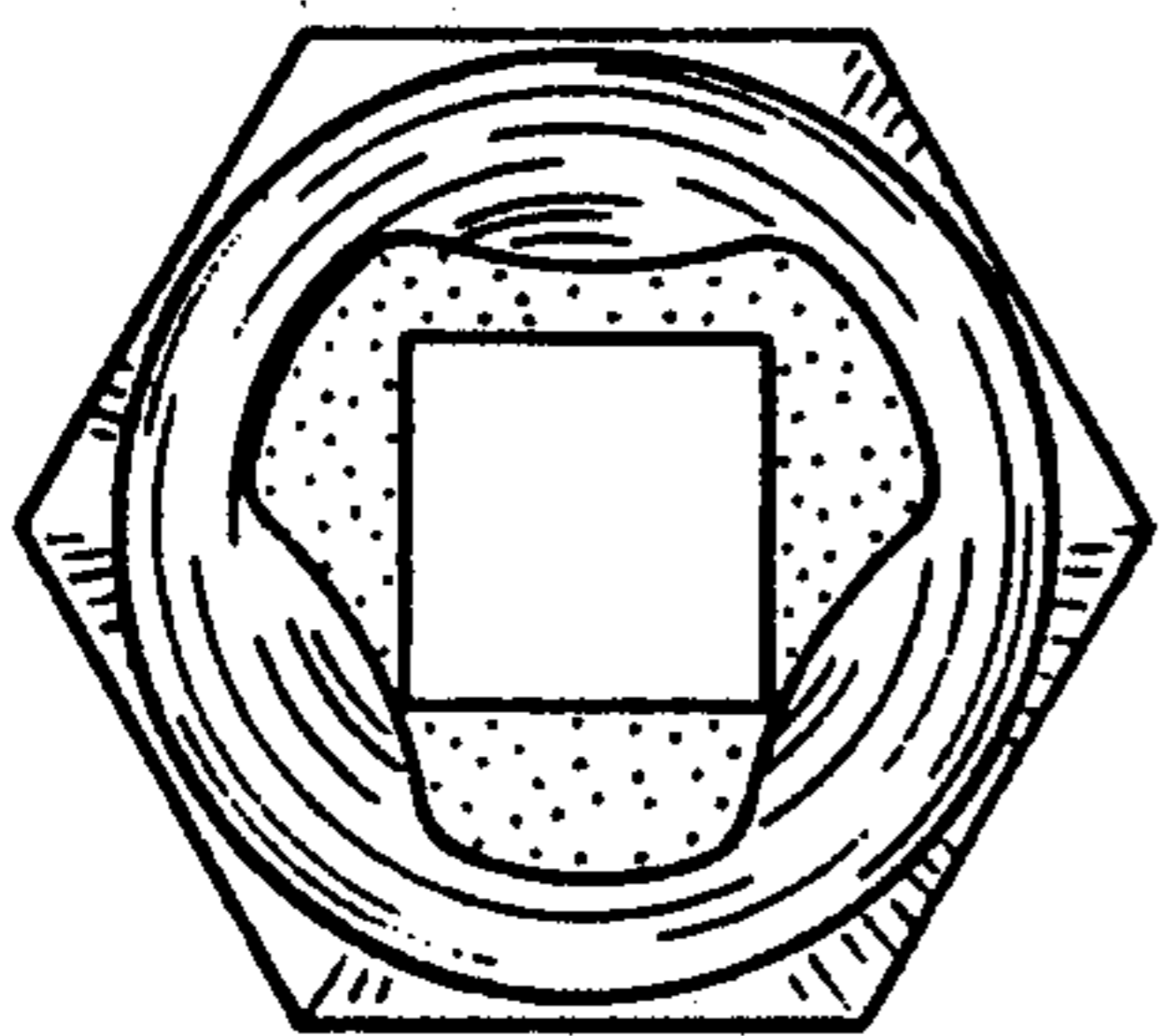


Fig. 4

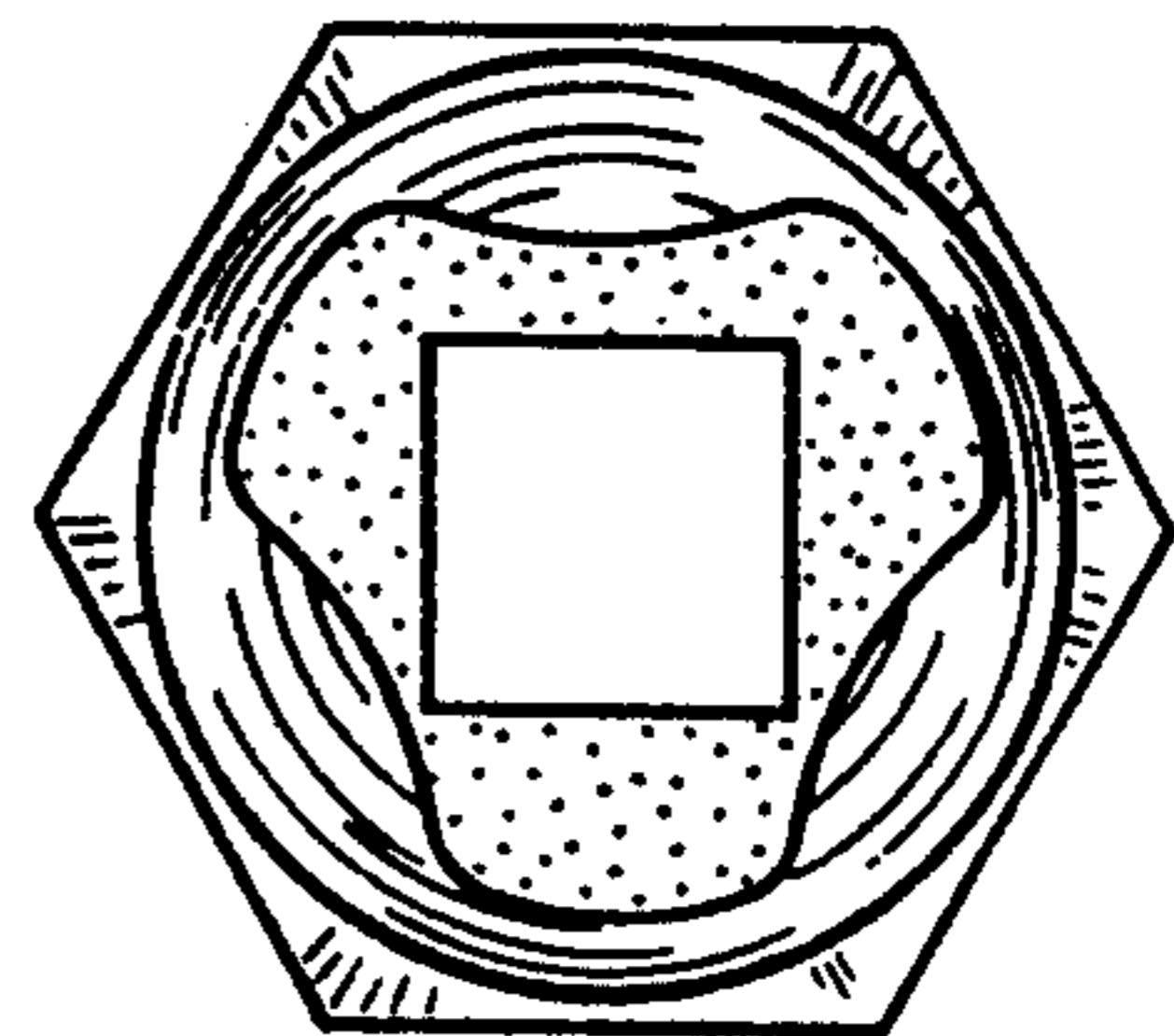


Fig. 5