



US00D338140S

United States Patent [19]

[11] Patent Number: Des. 338,140

Scott, Jr. et al.

[45] Date of Patent: ** Aug. 10, 1993

[54] SECTIONAL CORNER PLANTER

[75] Inventors: Harry W. Scott, Jr., Dover; Randall W. Britt; Kenneth L. Renfroe, both of Russellville, Ark.

[73] Assignee: Thompson Industries, Inc., Russellville, Ark.

[**] Term: 14 Years

[21] Appl. No.: 786,956

[22] Filed: Nov. 4, 1991

[52] U.S. Cl. D8/1; D11/155

[58] Field of Search D8/1, 499; D11/13, 155; D12/154; 47/33; 52/102, 233; 59/78, 80, 84-85, 88, 11

4,522,006 6/1985 Plikuhn 52/233 X

4,664,358 5/1987 Clark 52/233 X

4,747,231 5/1988 LeMay et al. .

4,761,923 8/1988 Reum et al. .

4,767,232 8/1988 Francis .

4,787,475 11/1988 Arteau et al. .

4,834,585 5/1989 Hasenwinkle et al. 52/233 X

4,869,018 9/1989 Scales et al. 47/33

4,897,955 2/1990 Winsor .

4,905,409 3/1990 Cole 52/233 X

4,910,910 3/1990 Jones .

4,967,526 11/1990 Yost .

4,986,042 1/1991 Richardt 47/33 X

4,997,316 3/1991 Rose .

5,038,557 8/1991 Otsuki et al. 59/80

5,119,587 6/1992 Waltz 47/33

OTHER PUBLICATIONS

Design Wood brochure, 1991, cover page, Interlocking Wood Pieces—Cited by Applicant.

Primary Examiner—Wallace R. Burke
Assistant Examiner—H. Baynham
Attorney, Agent, or Firm—Stephen D. Carver

[56] **References Cited**
U.S. PATENT DOCUMENTS

D. 217,273 4/1970 Adelman D25/113

D. 223,585 5/1973 Adelman D25/113

1,219,786 3/1917 Splatter .

1,598,250 8/1926 Person 59/80

1,809,508 6/1931 Colby .

1,830,188 11/1931 Bellavance 59/80

2,687,033 8/1954 Snyder .

2,951,606 9/1960 Benson .

3,006,038 10/1961 Sullivan 52/233 X

3,324,619 6/1967 Gearhart .

3,343,301 9/1967 Adelman 47/33

3,396,488 8/1968 Ries D8/1 X

3,415,013 12/1968 Galbraith 47/33 X

3,487,579 1/1970 Brettingen .

3,545,128 12/1970 LaFontaine et al. .

3,742,665 7/1973 Henry et al. .

3,837,163 9/1974 Fujimon 59/80

4,269,026 5/1981 Bulle et al. 59/85 X

4,312,606 1/1982 Sanikelle .

4,353,191 10/1982 Schilbe .

4,391,077 7/1983 Giess .

4,433,944 2/1984 Plica et al. .

[57] **CLAIM**

The ornamental design for a sectional corner planter, as shown and described.

DESCRIPTION

FIG. 1 is a front perspective view of a sectional corner planter showing our new design; FIG. 2 is an isometric view thereof; FIG. 3 is a front elevational view; FIG. 4 is a right side elevational view; FIG. 5 is a left side elevational view; FIG. 6 is a rear elevational view; FIG. 7 is a top plan view; and, FIG. 8 is a rear perspective view thereof. The undisclosed bottom is identical to the top plan view with the exception of the raised portions on the top.

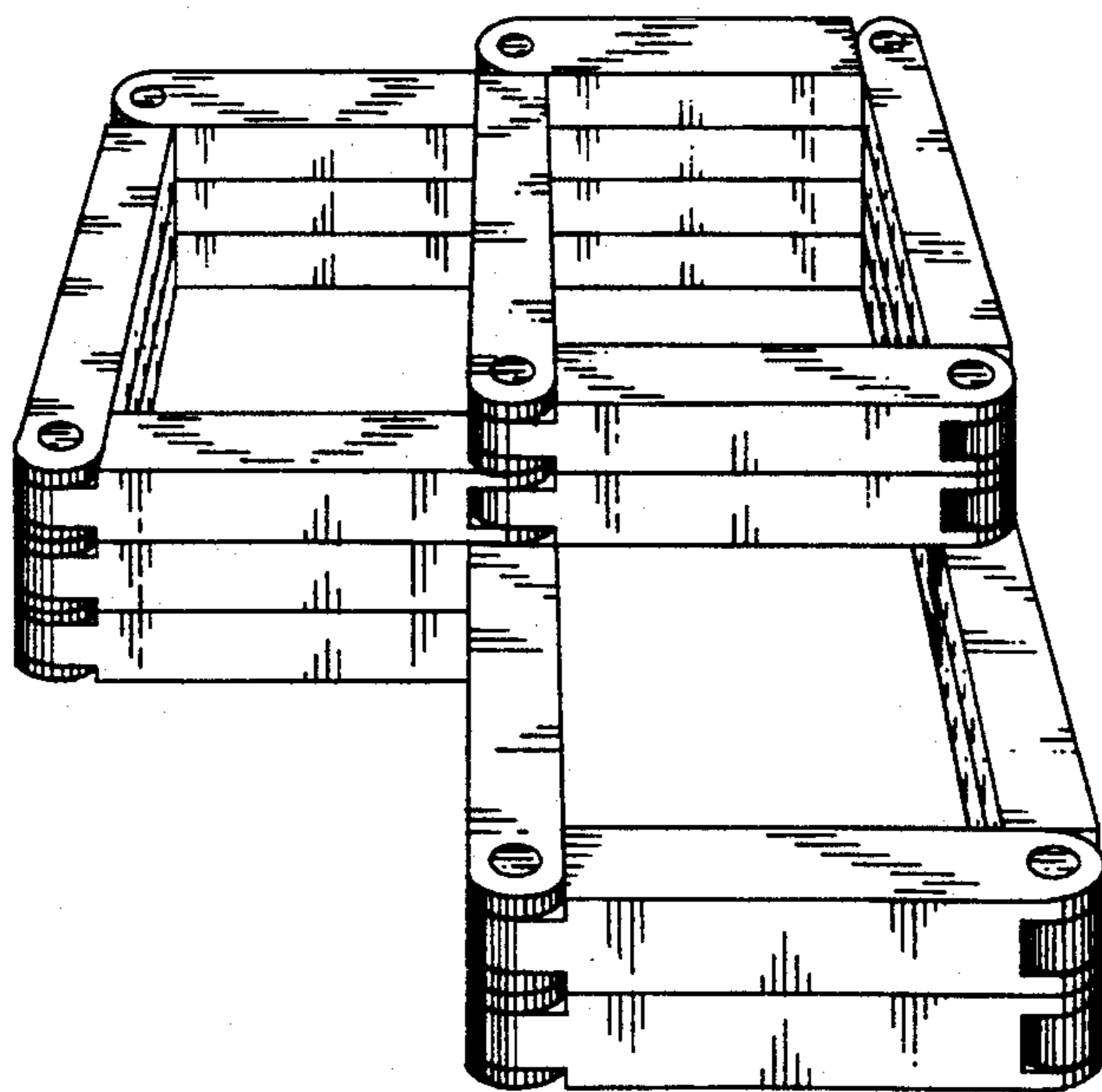


FIG. 1

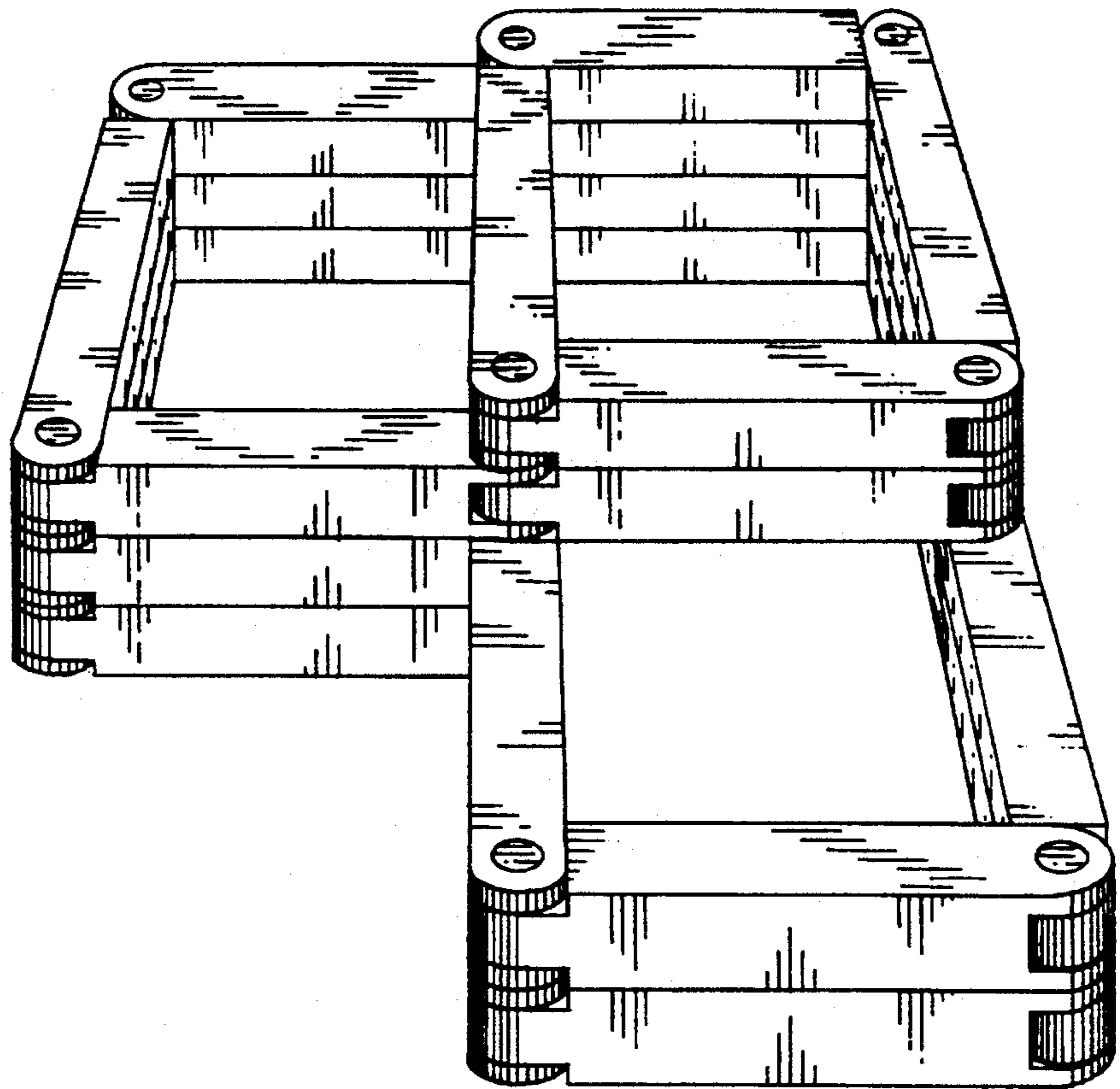


FIG. 2

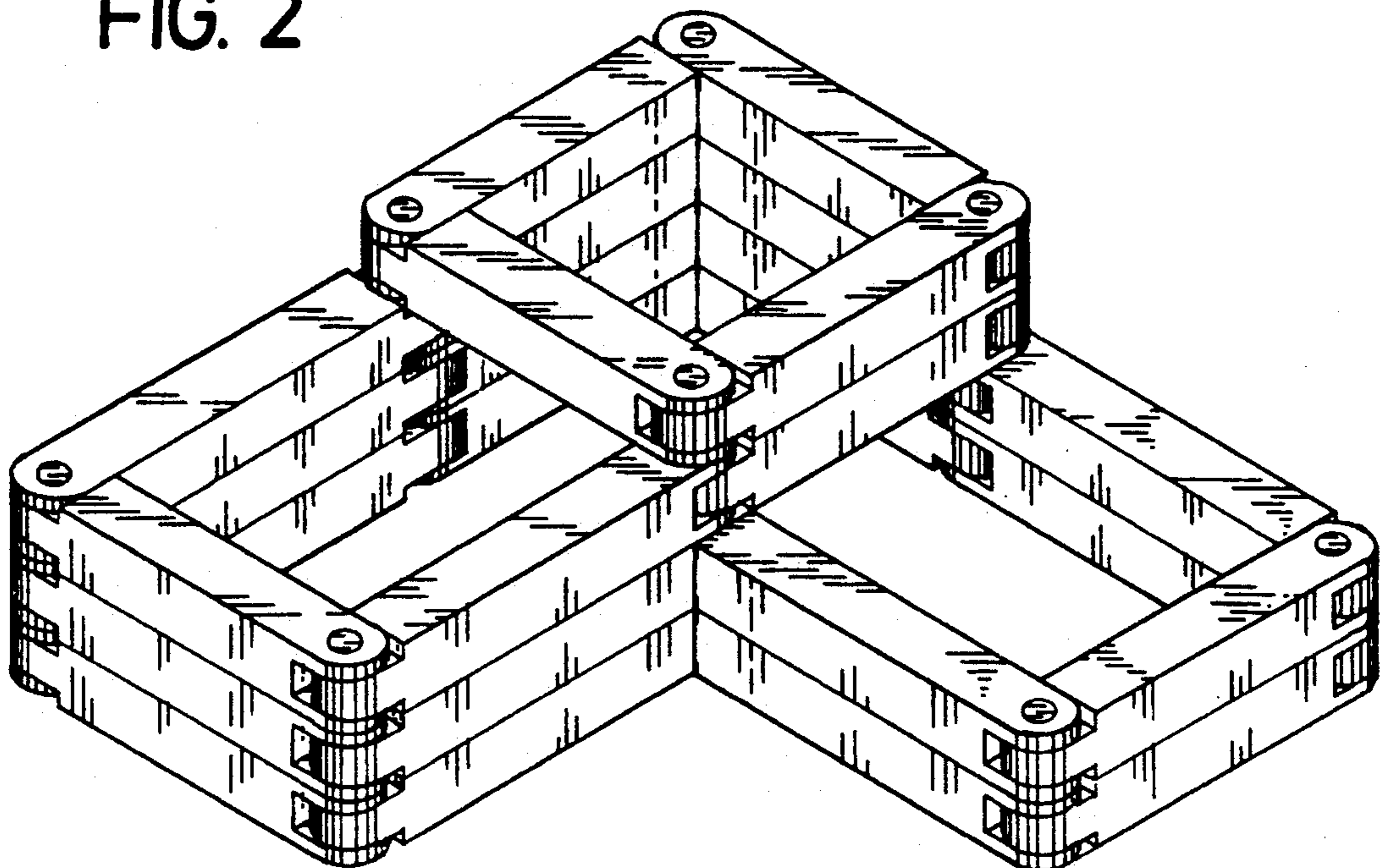


FIG. 3

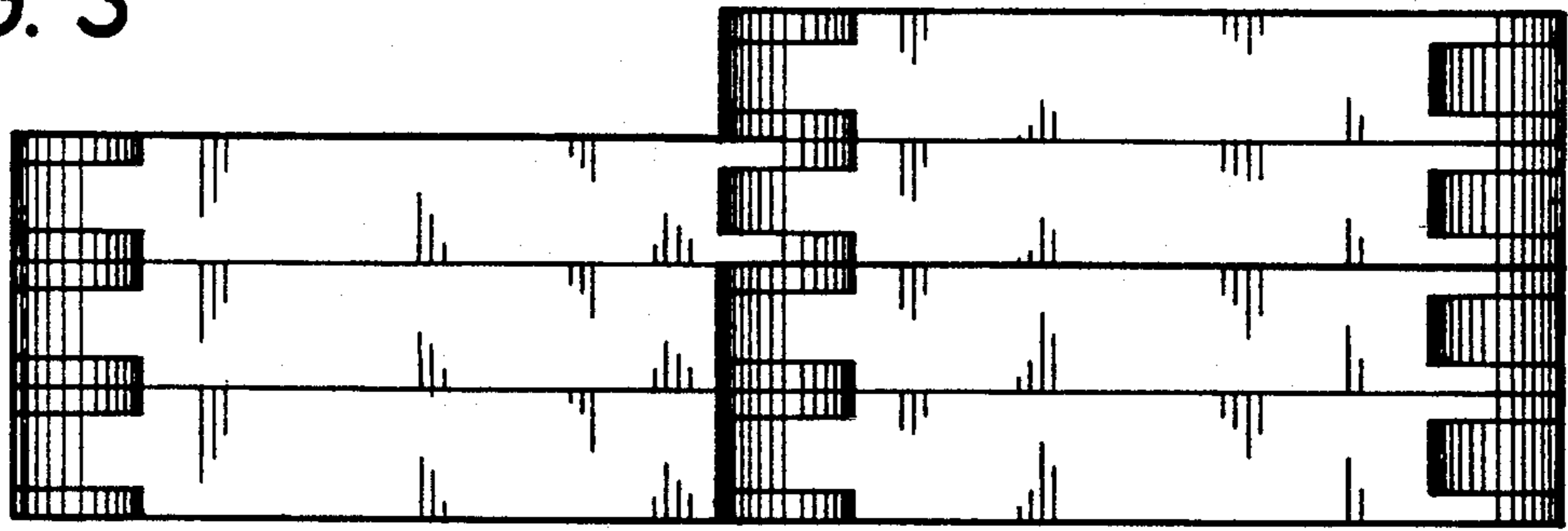


FIG. 4

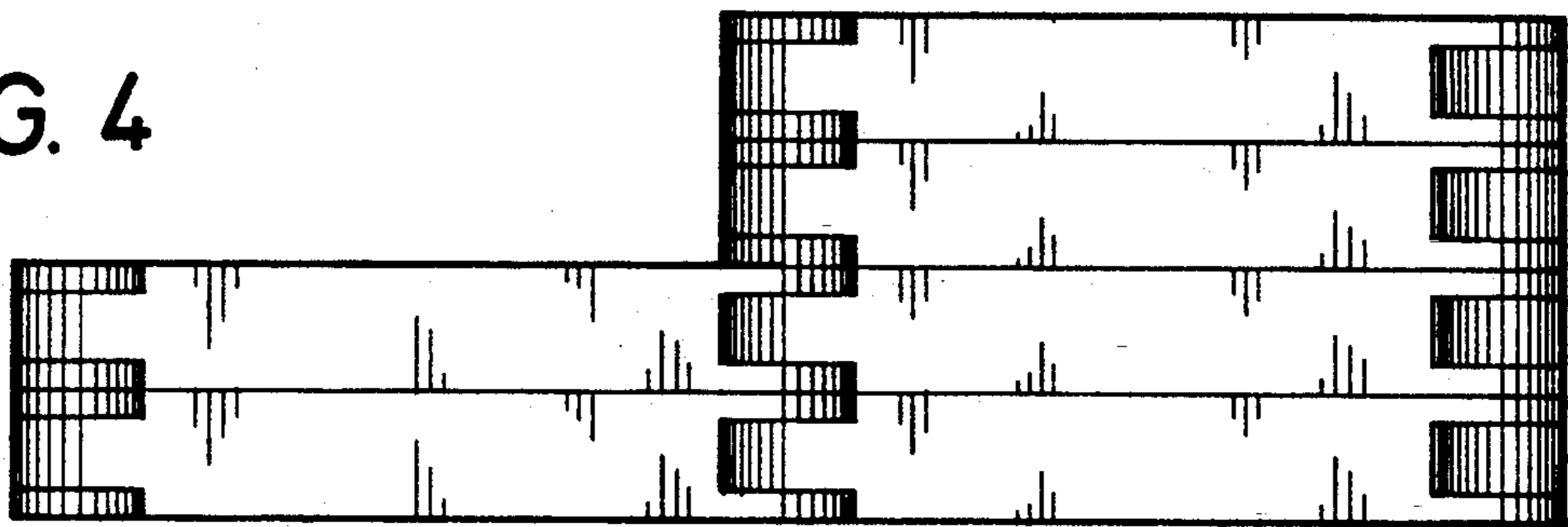


FIG. 5

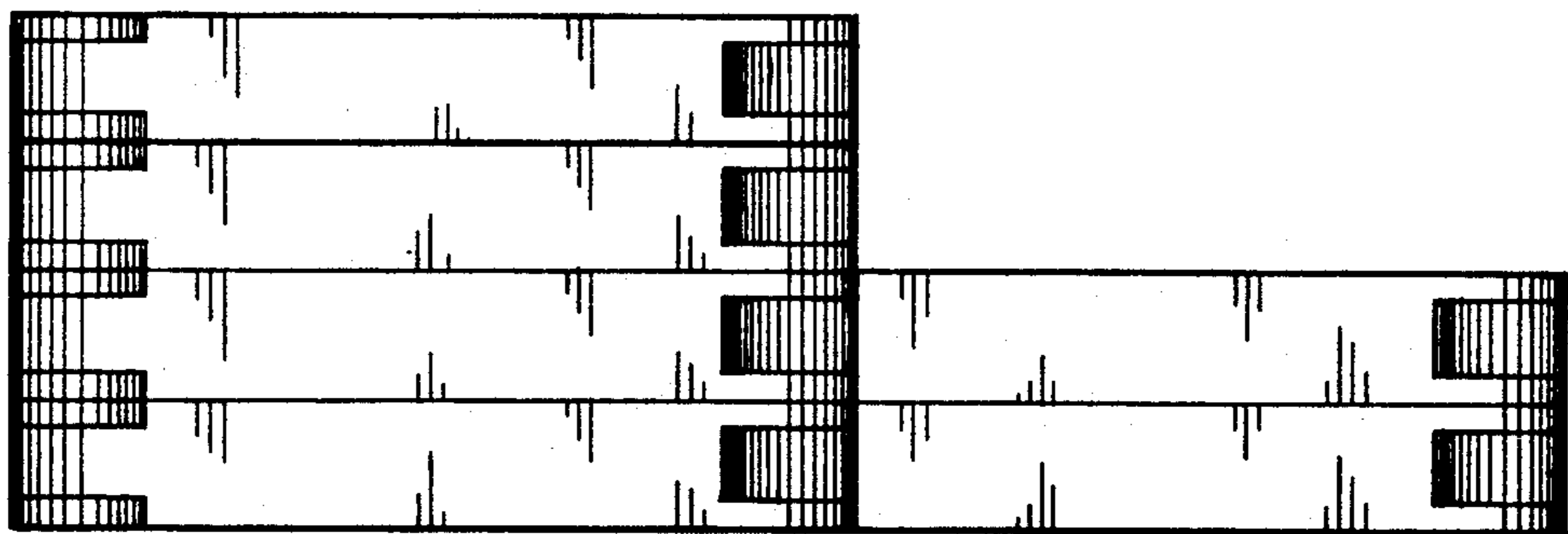


FIG. 6

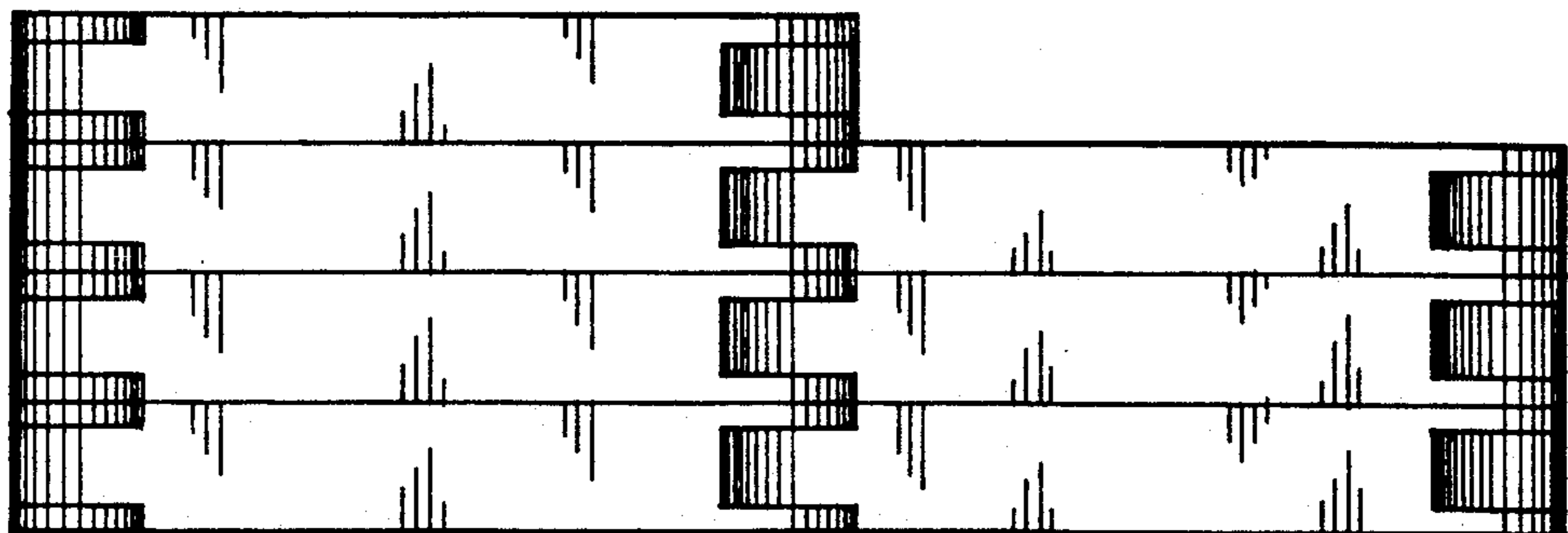


FIG. 7

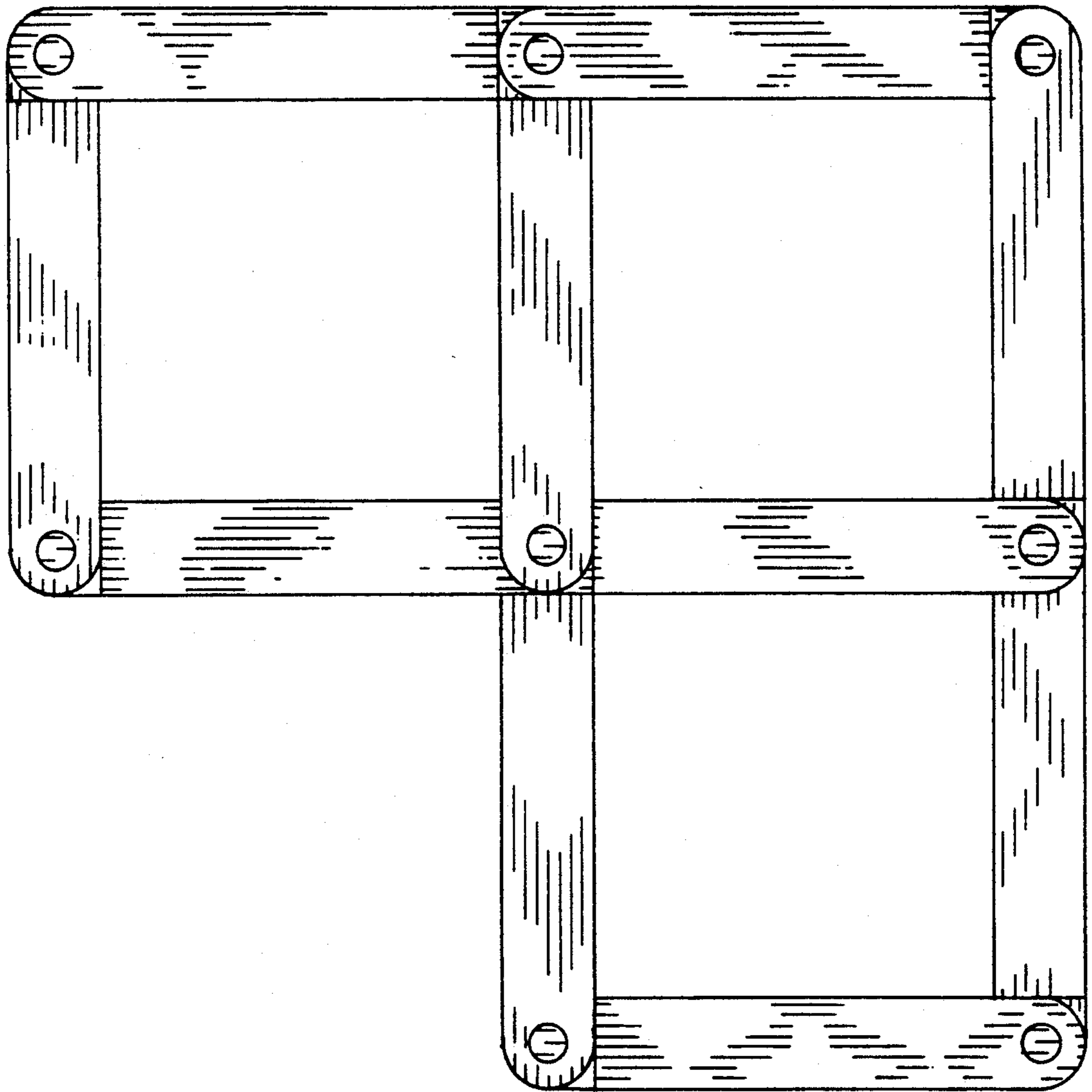


FIG. 8

