



US00D338132S

United States Patent [19]
Chang

[11] **Patent Number: Des. 338,132**
[45] **Date of Patent: ** Aug. 10, 1993**

[54] **RICE COOKER**

[76] **Inventor: Chung-Yuan Chang, 10119 Tres Lagos Ct., Chula Vista, Calif. 92010**

[**] **Term: 14 Years**

[21] **Appl. No.: 491,624**

[22] **Filed: Mar. 12, 1990**

[52] **U.S. Cl. D7/356; D7/354; D7/360**

[58] **Field of Search D7/323, 354, 356, 358, D7/360; 220/912**

[56] **References Cited**

U.S. PATENT DOCUMENTS

D. 199,747	12/1964	Farber	D7/354
D. 280,064	8/1985	Obata et al.	D7/360
D. 300,598	4/1989	Ueda et al.	D7/360
2,785,277	3/1957	Jepson	D7/360 X

OTHER PUBLICATIONS

Wagner Ware Catalog; Nov. 27, 1925; p. 38; Steam Cooker.

Best Catalog; 1986/1987; p. 188; #13 Panasonic

Primary Examiner—Alan P. Douglas

Assistant Examiner—Caron D. Veynar

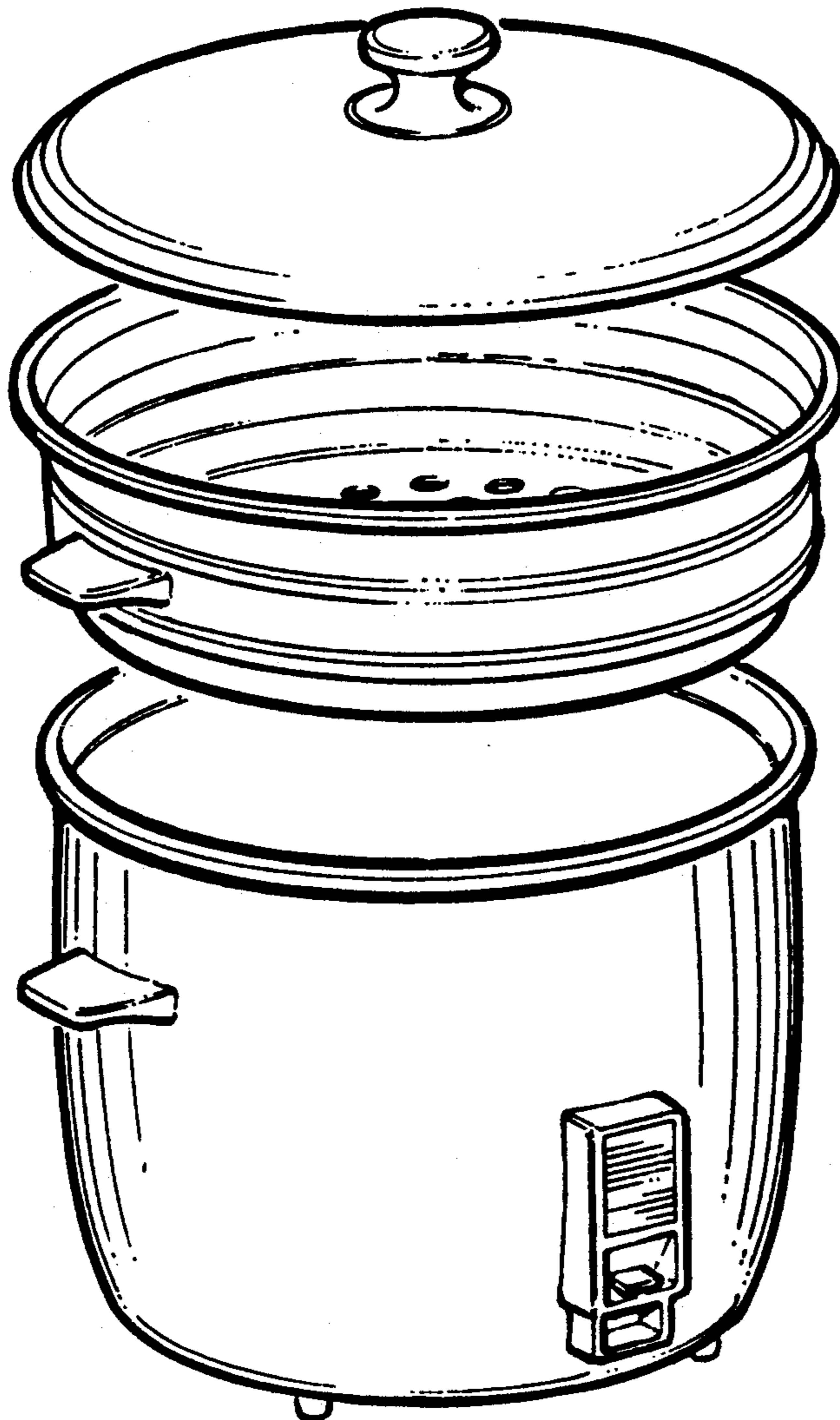
Attorney, Agent, or Firm—Charles C. Logan, II

[57] **CLAIM**

The ornamental design for a rice cooker, as shown and described.

DESCRIPTION

FIG. 1 is an exploded front elevational view of a rice cooker showing my new design; FIG. 2 is a top plan view thereof; FIG. 3 is a rear elevational view thereof; and, FIG. 4 is a bottom plan view thereof.



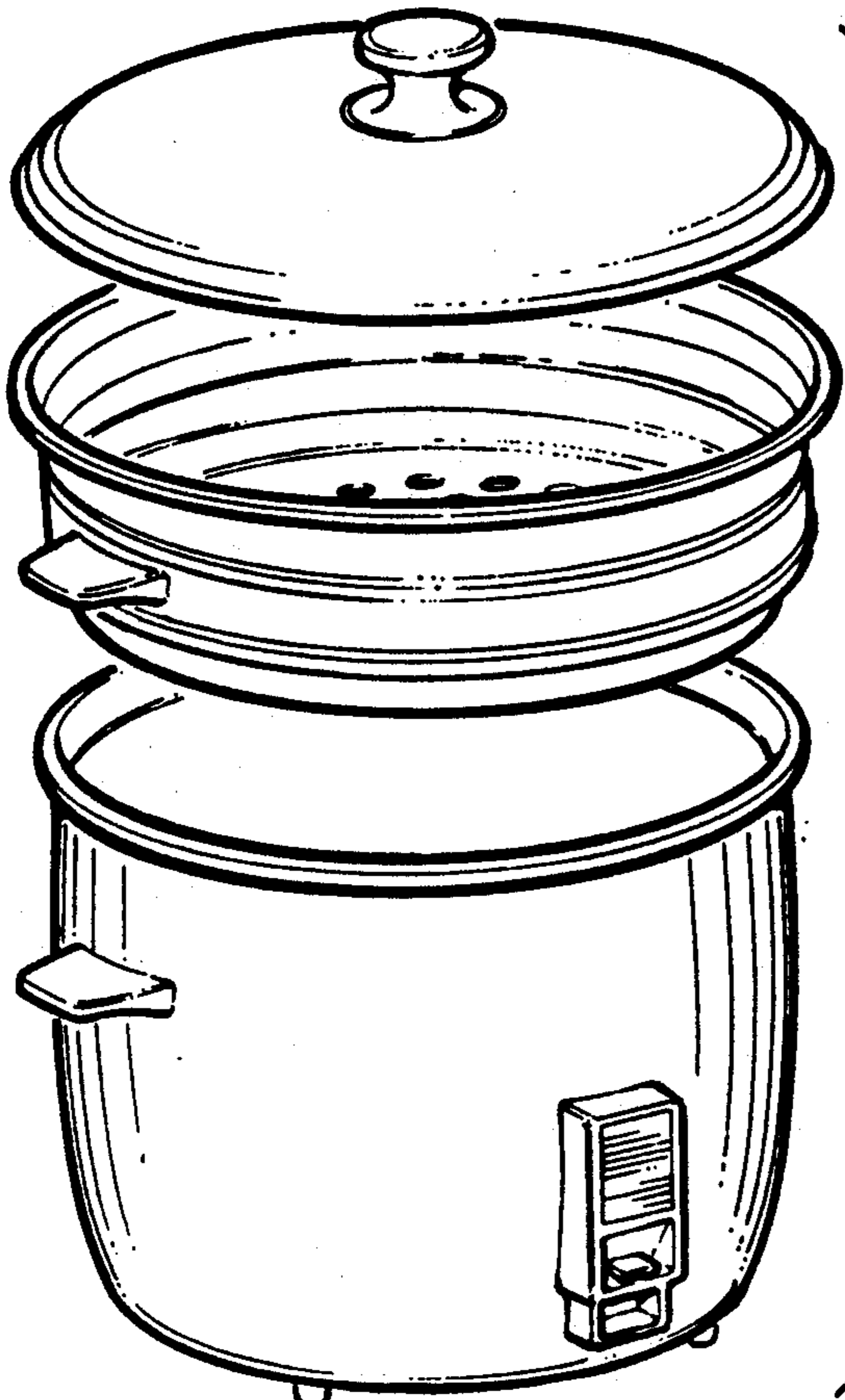


FIGURE 1

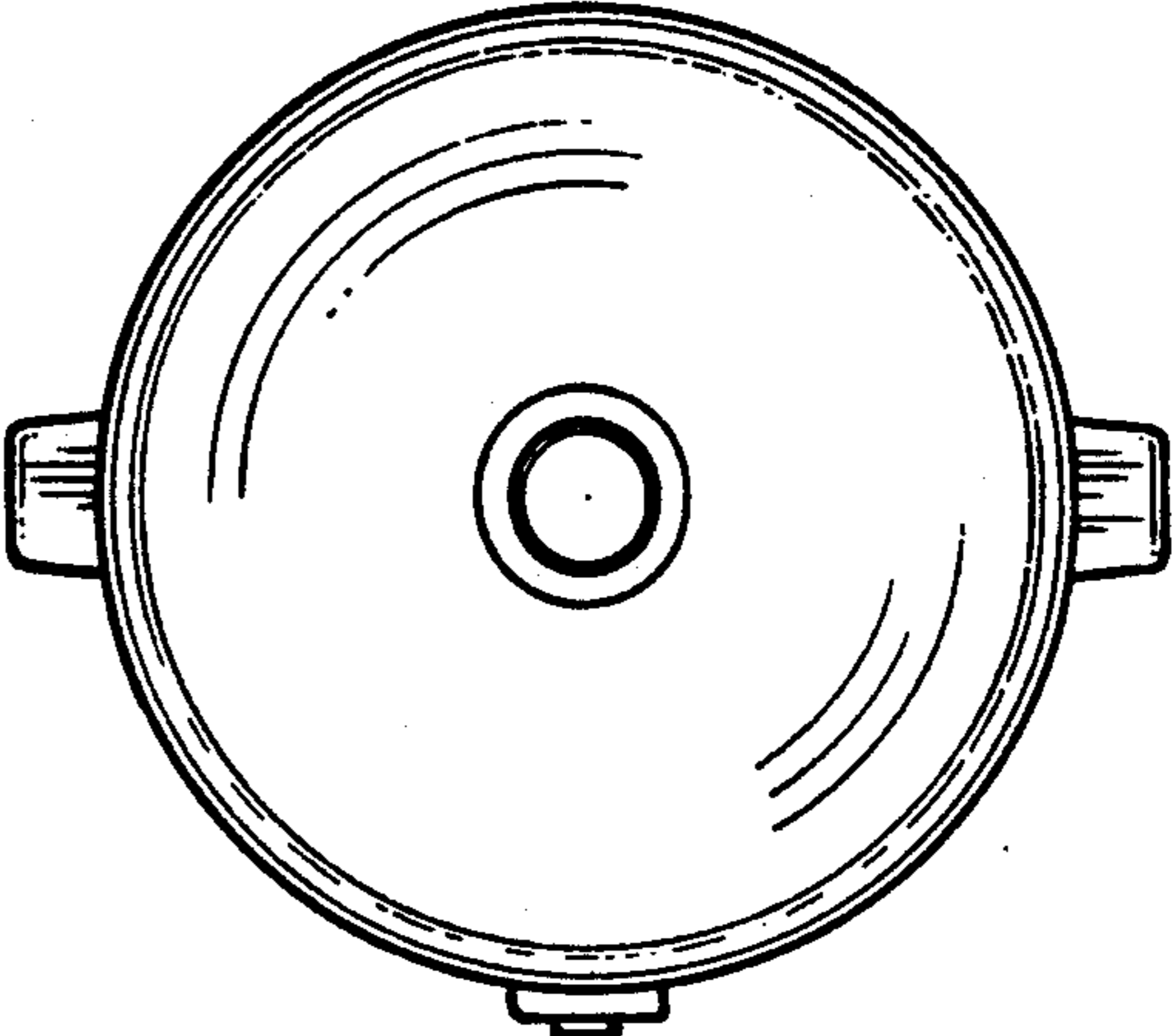


FIGURE 2

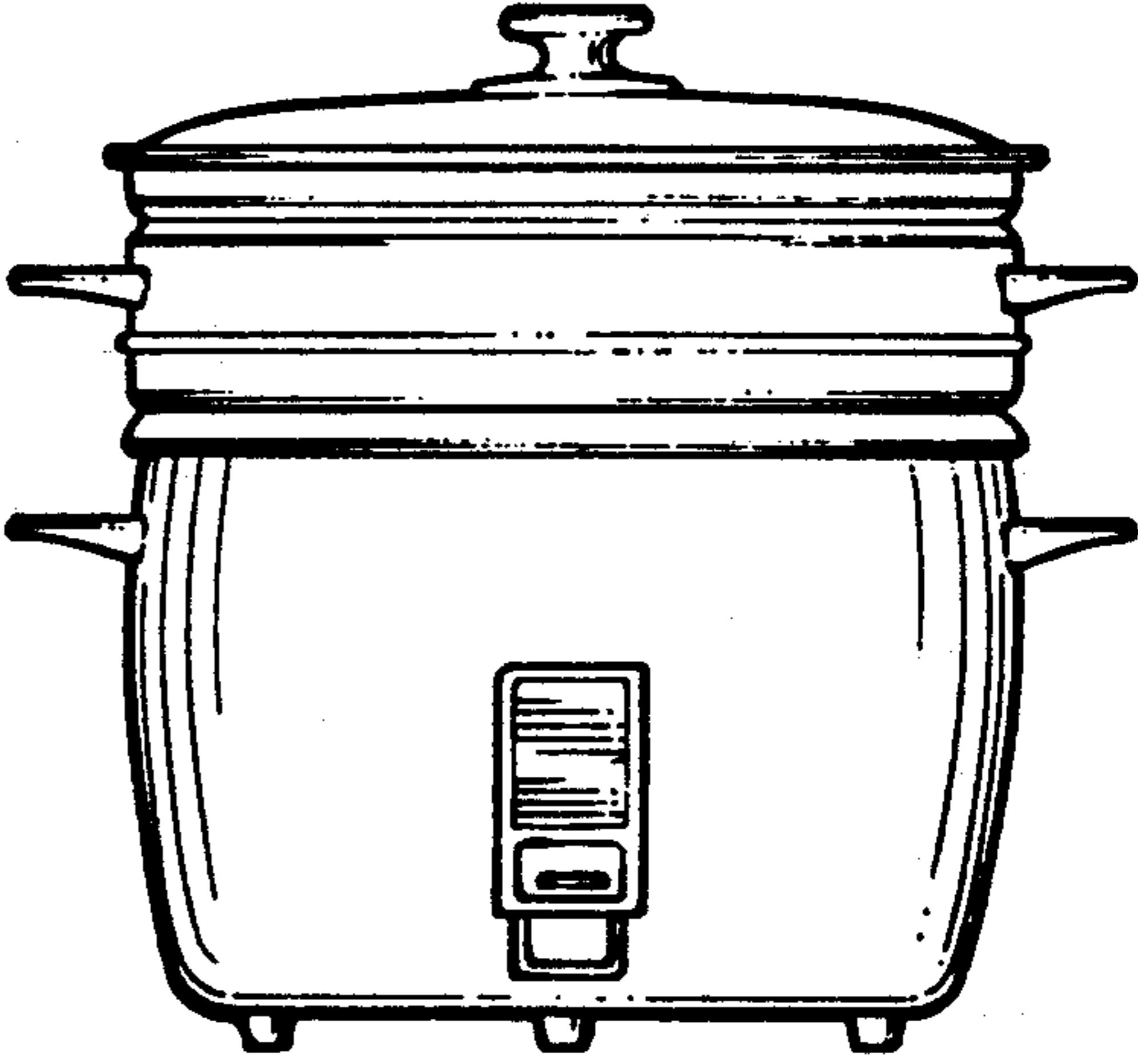


FIGURE 3

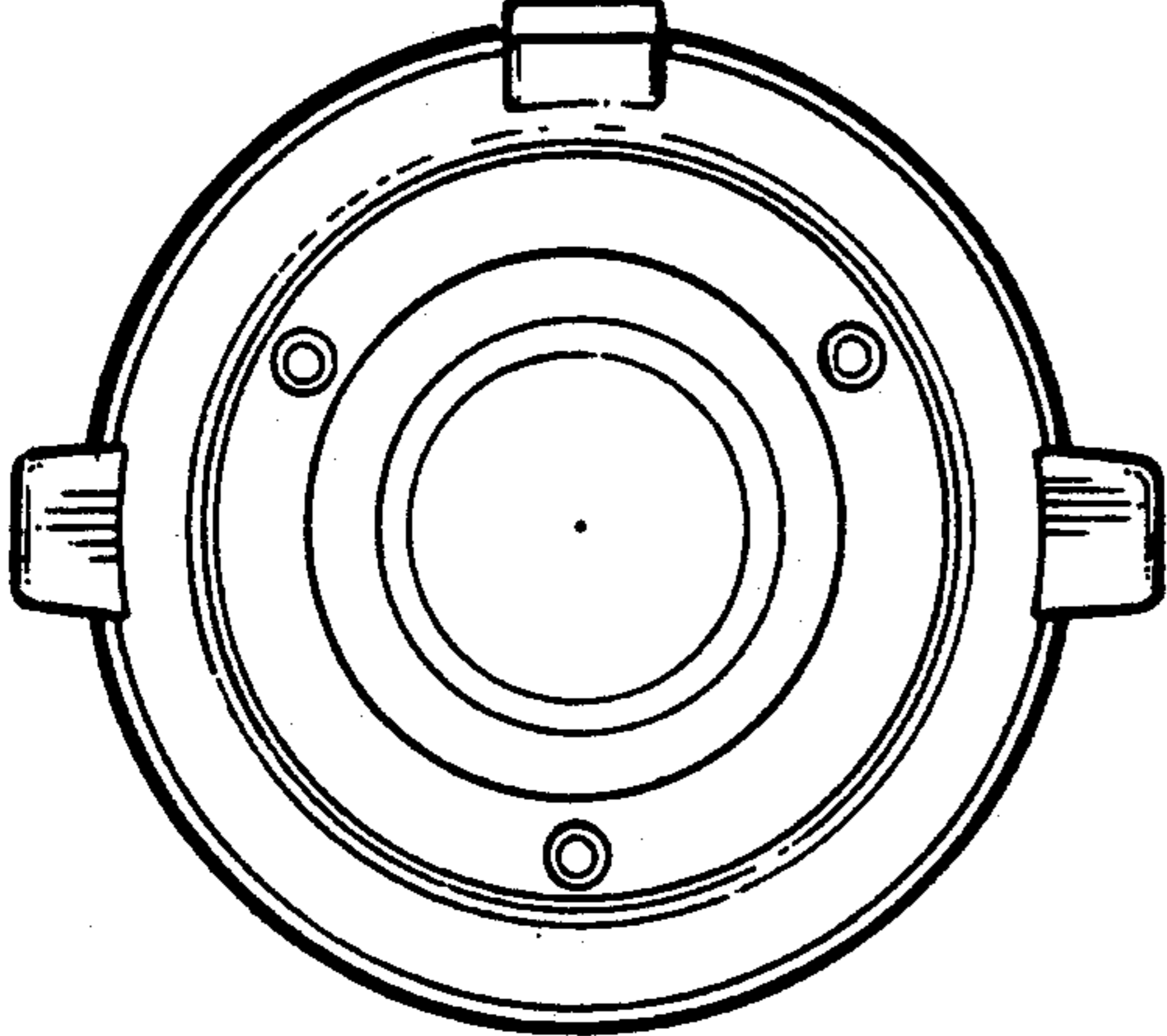


FIGURE 4