



US00D338126S

United States Patent [19]

[11] Patent Number: **Des. 338,126**

Callaway

[45] Date of Patent: **** Aug. 10, 1993**

[54] **WALL MOUNTED RACK FOR SUPPORTING GARMENT HANGERS**

[76] Inventor: **Lohnny Callaway, 124 Luke Dr., Dalton, Ga. 30720**

[**] Term: **14 Years**

[21] Appl. No.: **791,611**

[22] Filed: **Nov. 18, 1991**

[52] U.S. Cl. **D6/570; D6/553; D6/524**

[58] Field of Search **D6/553, 566-567, D6/569-572, 462-466, 467, 315, 320, 321-325; 211/13, 100, 105.1, 106, 123; 248/251, 304, 309.1, 316.8**

[56] **References Cited**

U.S. PATENT DOCUMENTS

- D. 240,877 8/1976 Lefkof D6/324
- D. 243,978 4/1977 Lallement D6/324
- 1,698,318 1/1929 Norton D6/467 X
- 2,177,084 10/1939 Thomson .

- 2,210,120 8/1940 Gladstone .
- 2,268,894 1/1942 Ogren 211/100
- 2,743,023 4/1956 Larson .
- 3,825,127 7/1974 Morrison .
- 3,929,228 12/1975 Margolin .
- 4,209,156 1/1980 Kashden .

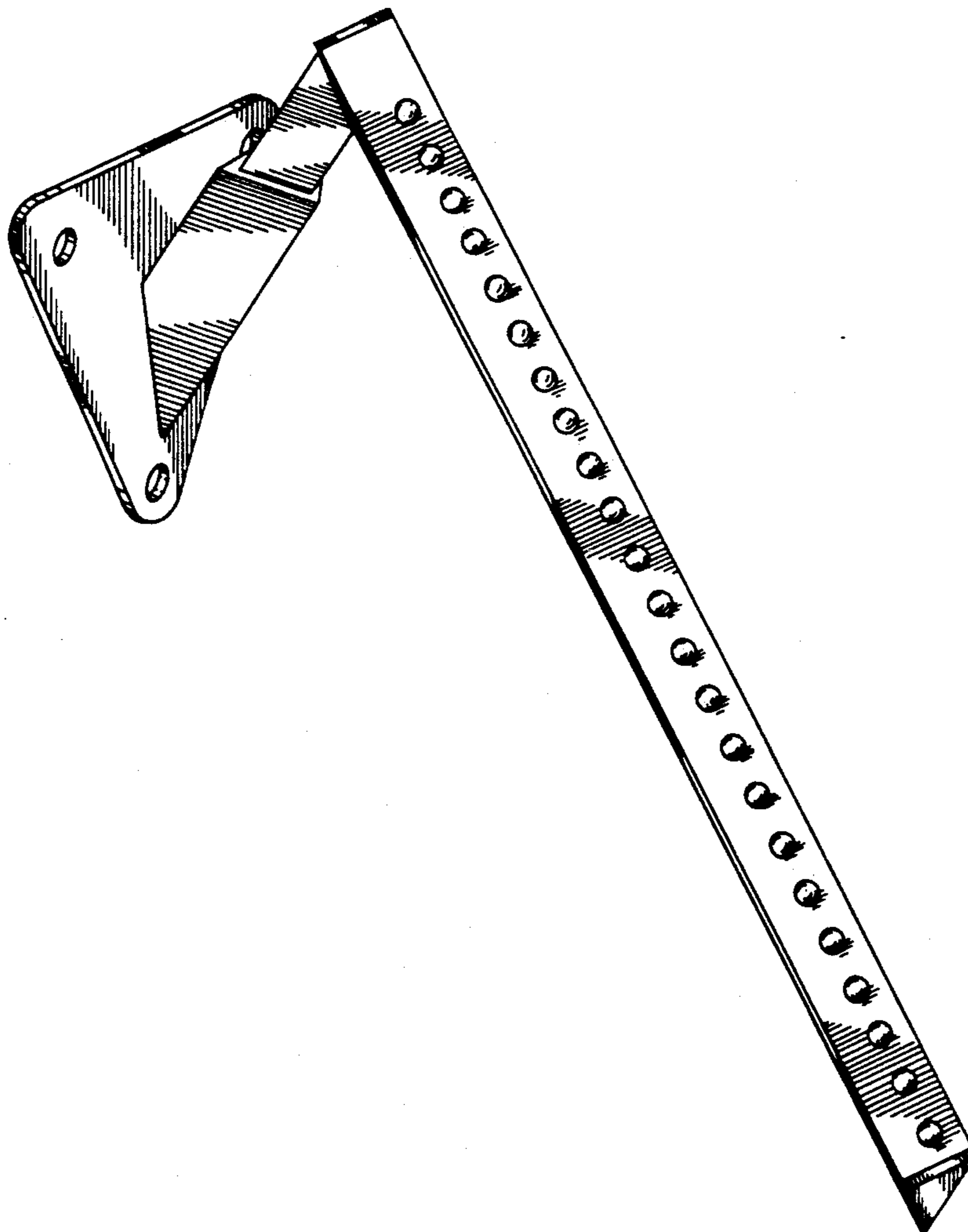
Primary Examiner—Brian N. Vinson
Attorney, Agent, or Firm—Terry M. Gernstein

[57] **CLAIM**

The ornamental design for a wall mounted rack for supporting garment hangers, as shown and described.

DESCRIPTION

FIG. 1 is a perspective view of the wall mounted rack for supporting garment hangers embodying the design of the present invention;
FIG. 2 is a front elevational view thereof;
FIG. 3 is a rear elevational view thereof;
FIG. 4 is a side elevational view thereof, the side opposite being a mirror image of the side shown in FIG. 4;
FIG. 5 is a top plan view thereof; and,
FIG. 6 is a bottom view thereof.



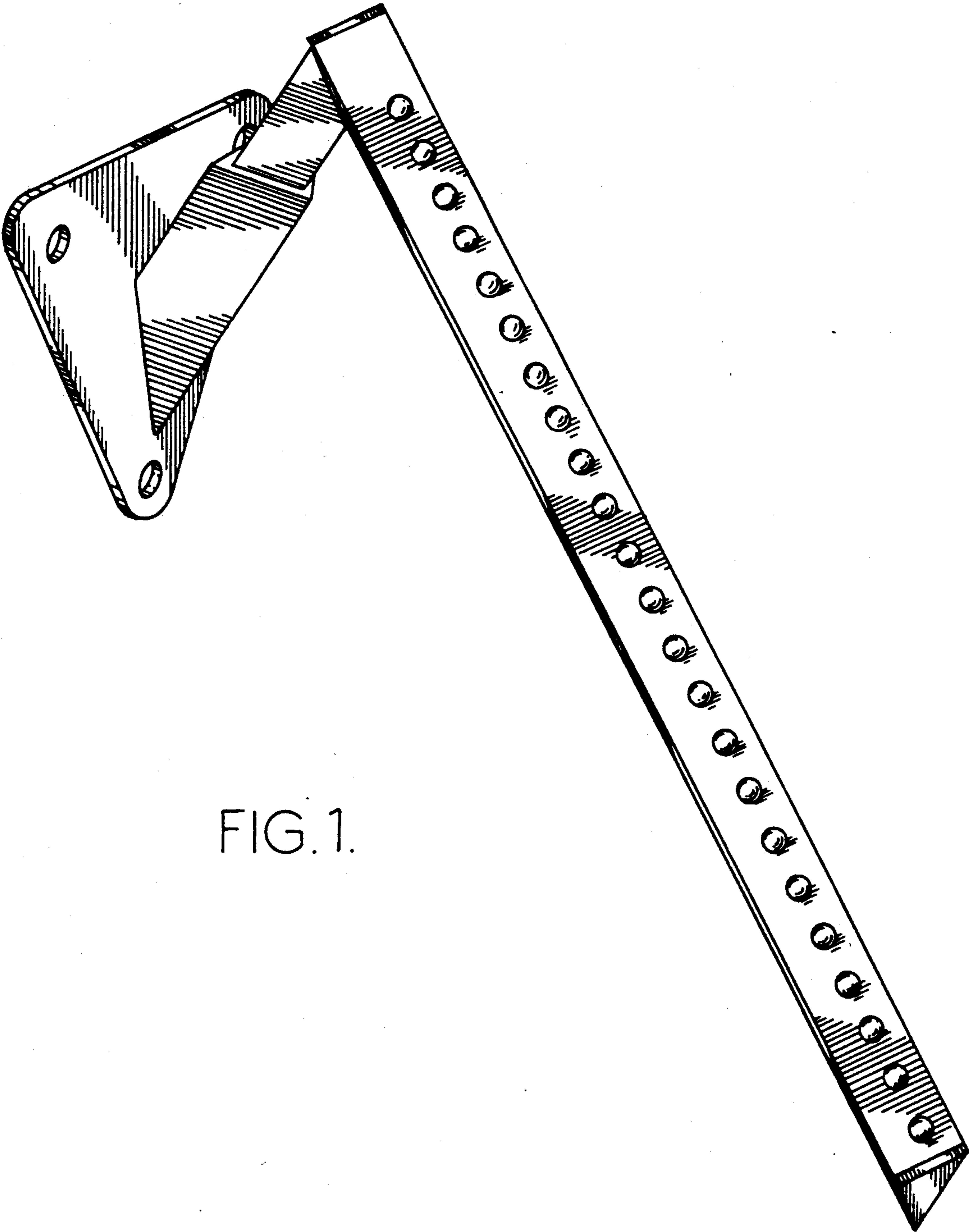


FIG. 1.

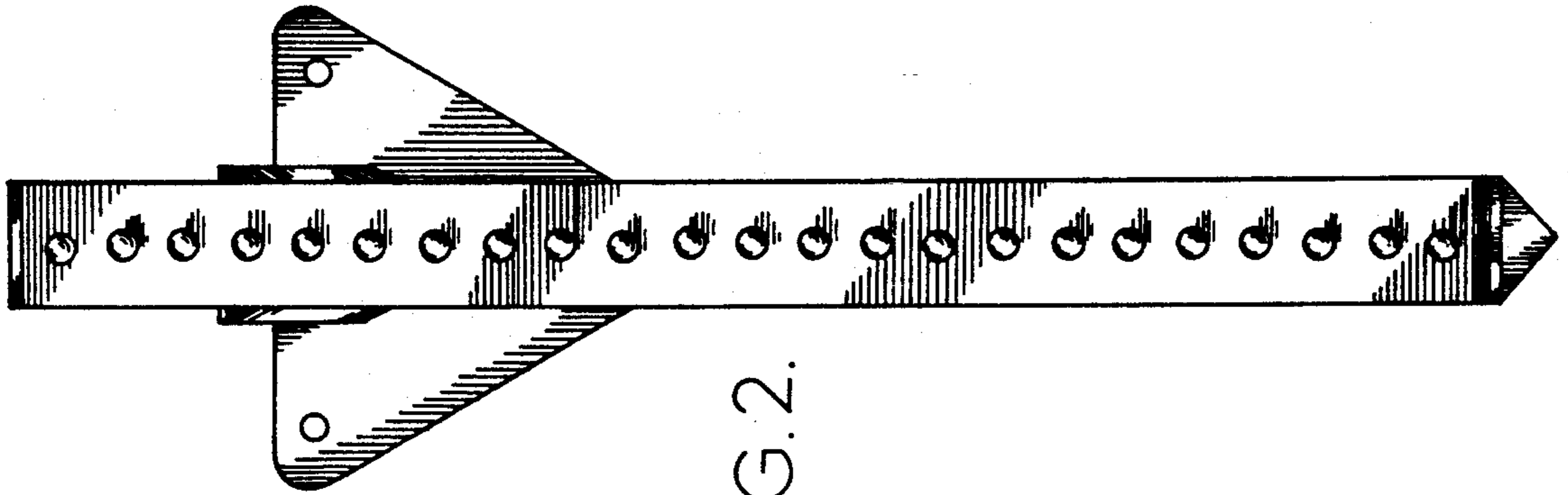


FIG. 2.

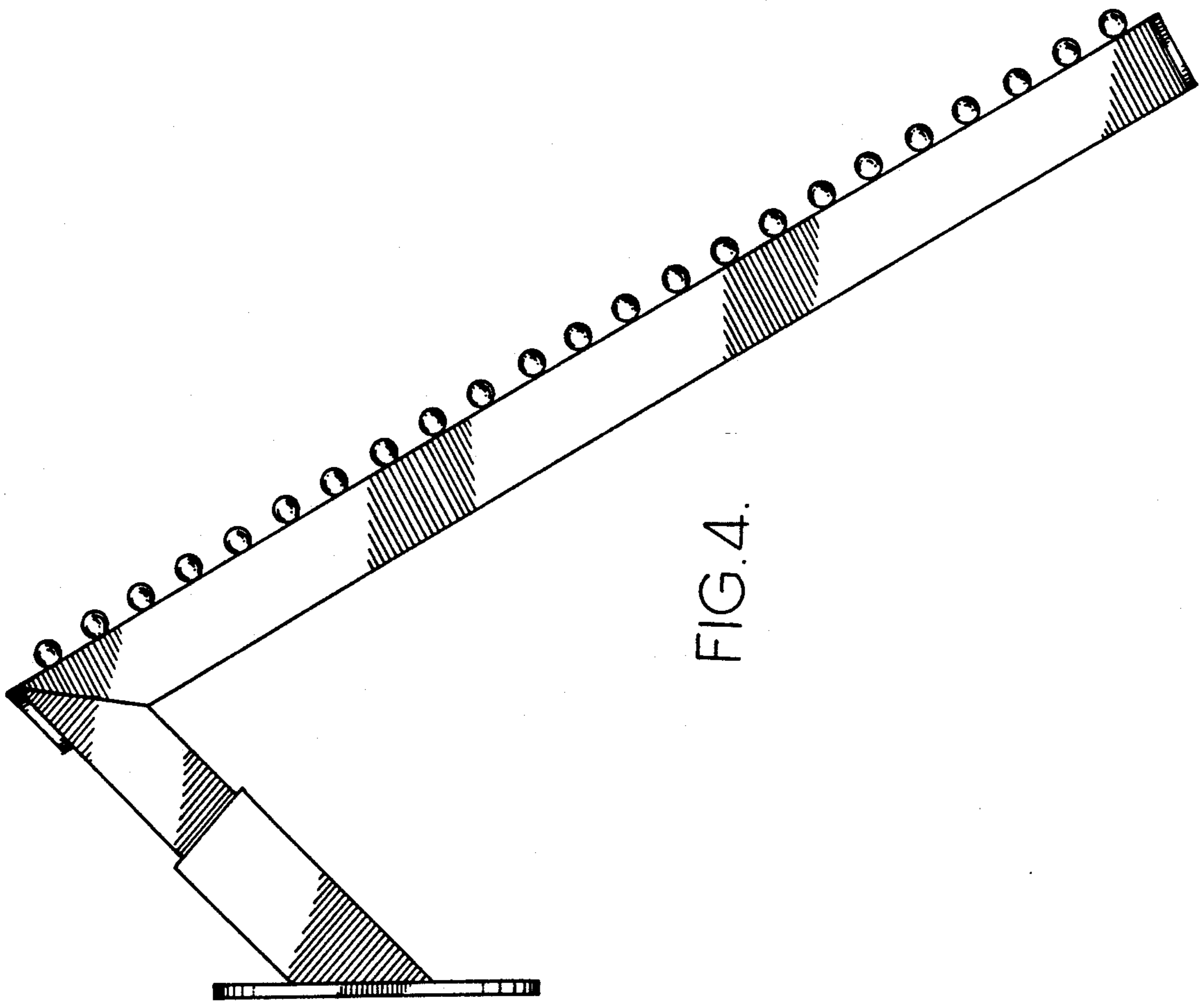


FIG. 4.

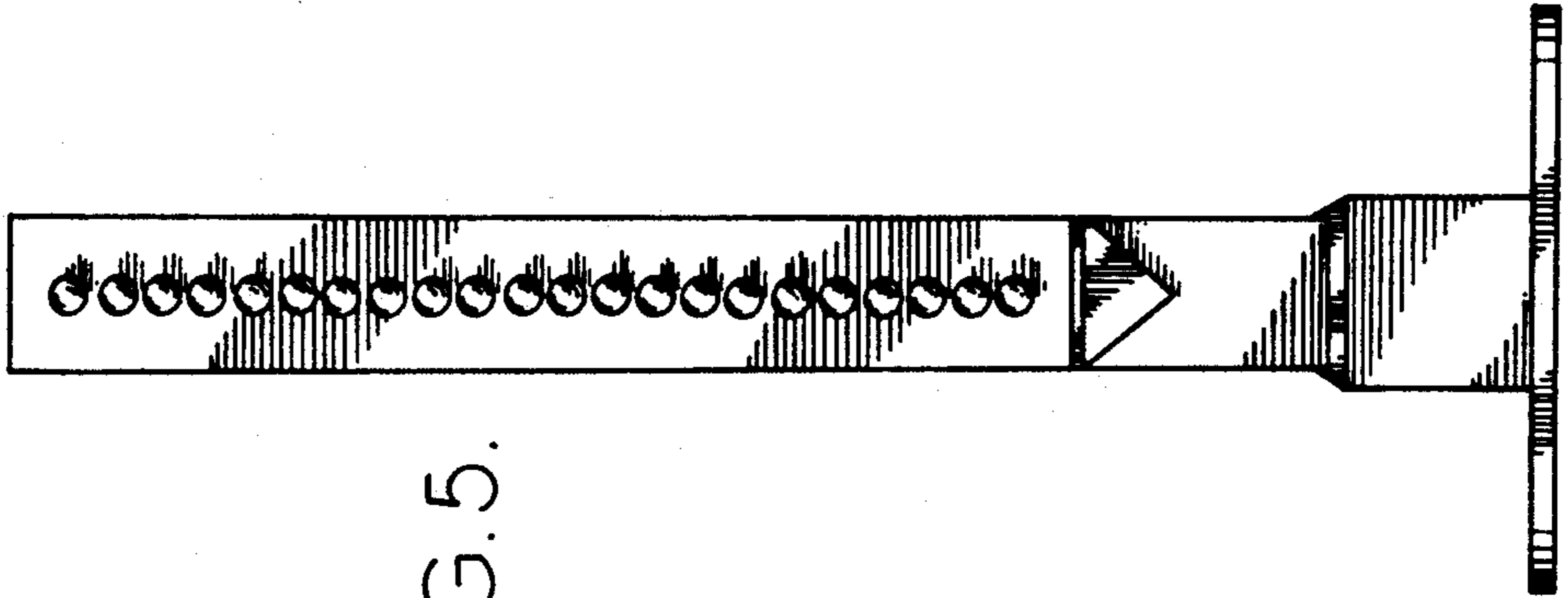


FIG. 5.

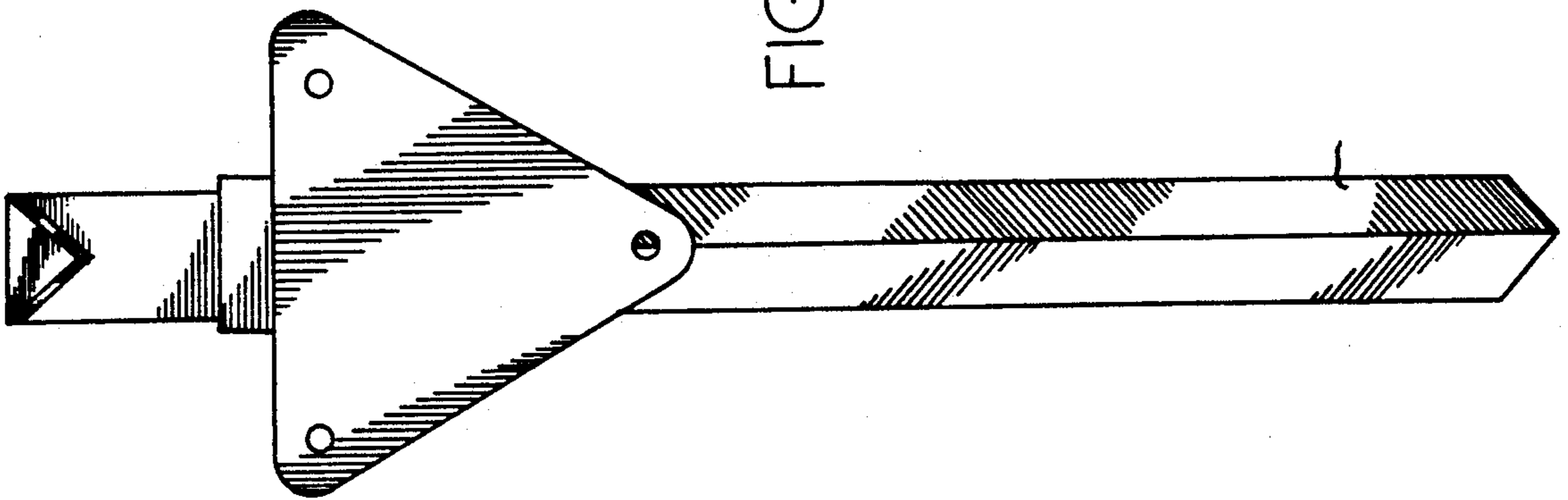


FIG. 3.

FIG. 6.

