



US00D338125S

# United States Patent [19]

[11] Patent Number: **Des. 338,125**

Sample

[45] Date of Patent: **\*\* Aug. 10, 1993**

[54] TOWEL RACK WITH SWINGABLE ARMS

D. 274,026	5/1984	Boroch	.....	D6/548
D. 282,705	2/1986	Chap	.....	D6/548 X
2,424,369	7/1947	Rundell	.....	211/96
4,356,922	11/1982	Dierksheide	.....	211/99

[76] Inventor: **Mark S. Sample**, 403 Riverton Ct.  
#4627, Gibsonville, N.C. 27249

*Primary Examiner*—Brian N. Vinson

[\*\*] Term: **14 Years**

[57] **CLAIM**

[21] Appl. No.: **731,086**

The ornamental design for a towel rack with swingable arms, as shown and described.

[22] Filed: **Jul. 17, 1991**

**DESCRIPTION**

[52] U.S. Cl. .... **D6/548**

[58] Field of Search ..... **D6/546-550;**  
211/16, 47-48, 86-87, 96, 99-100, 122; 108/29;  
248/251

FIG. 1 is a front, top right side perspective view of a towel rack with swingable arms showing my new design;

[56] **References Cited**

**U.S. PATENT DOCUMENTS**

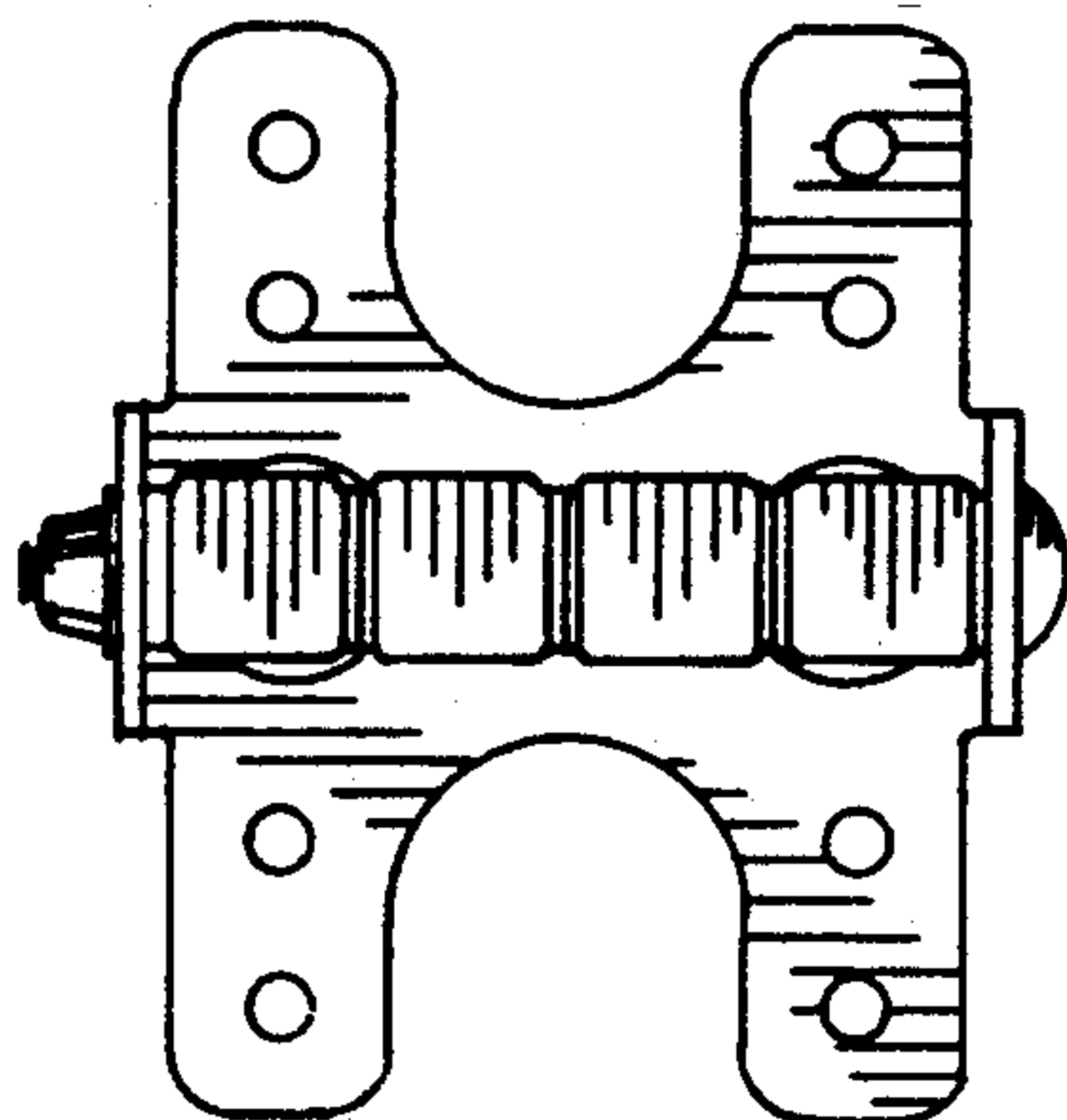
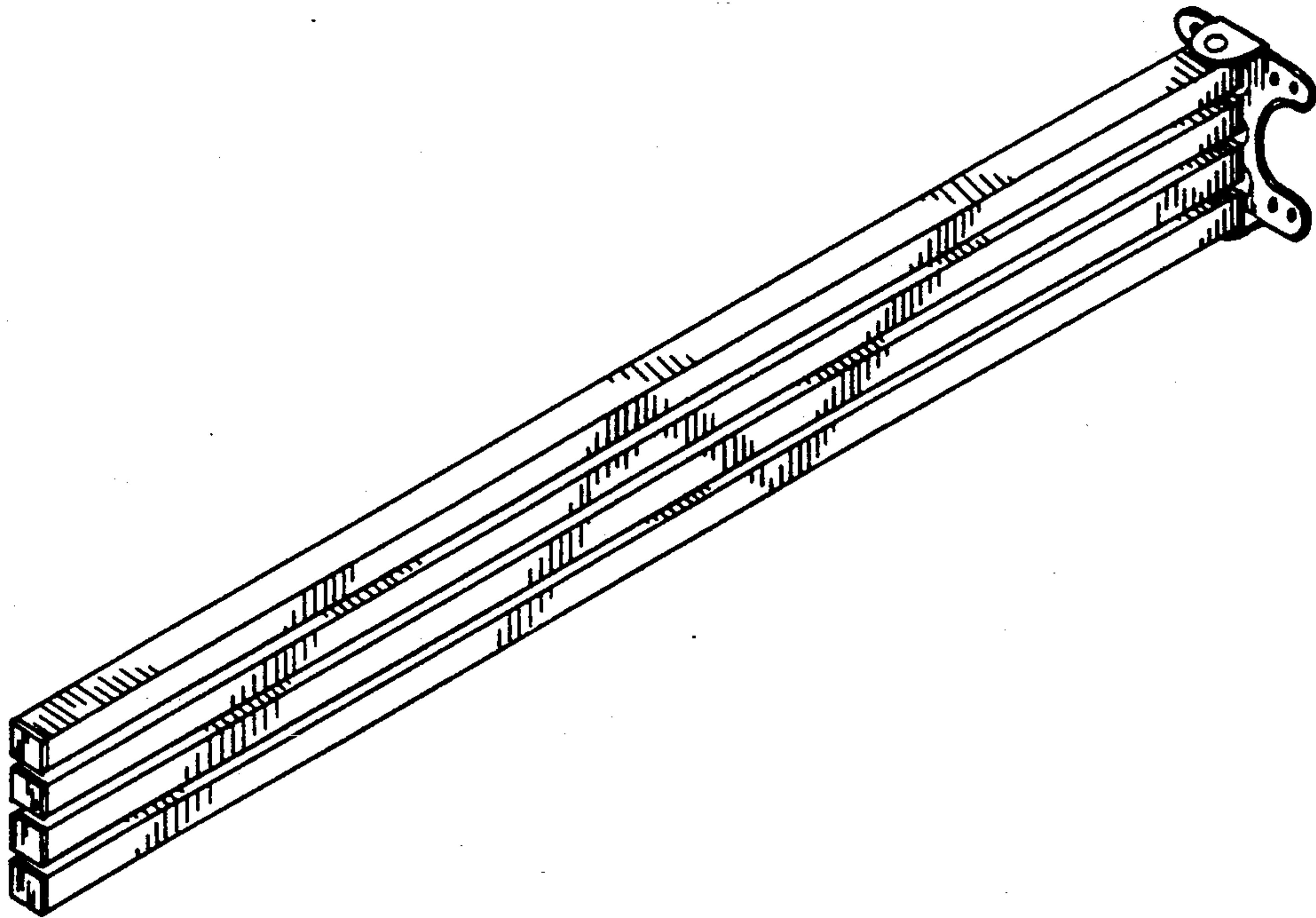
D. 157,212	2/1950	Stefan	.....	D6/548
D. 157,431	2/1950	Roop	.....	D6/548

FIG. 2 is a left side elevational view thereof;

FIG. 3 is an enlarged fragmented top plan view thereof, the bottom view being substantially identical;

FIG. 4 is an enlarged front view thereof; and,

FIG. 5 is an enlarged rear view thereof.



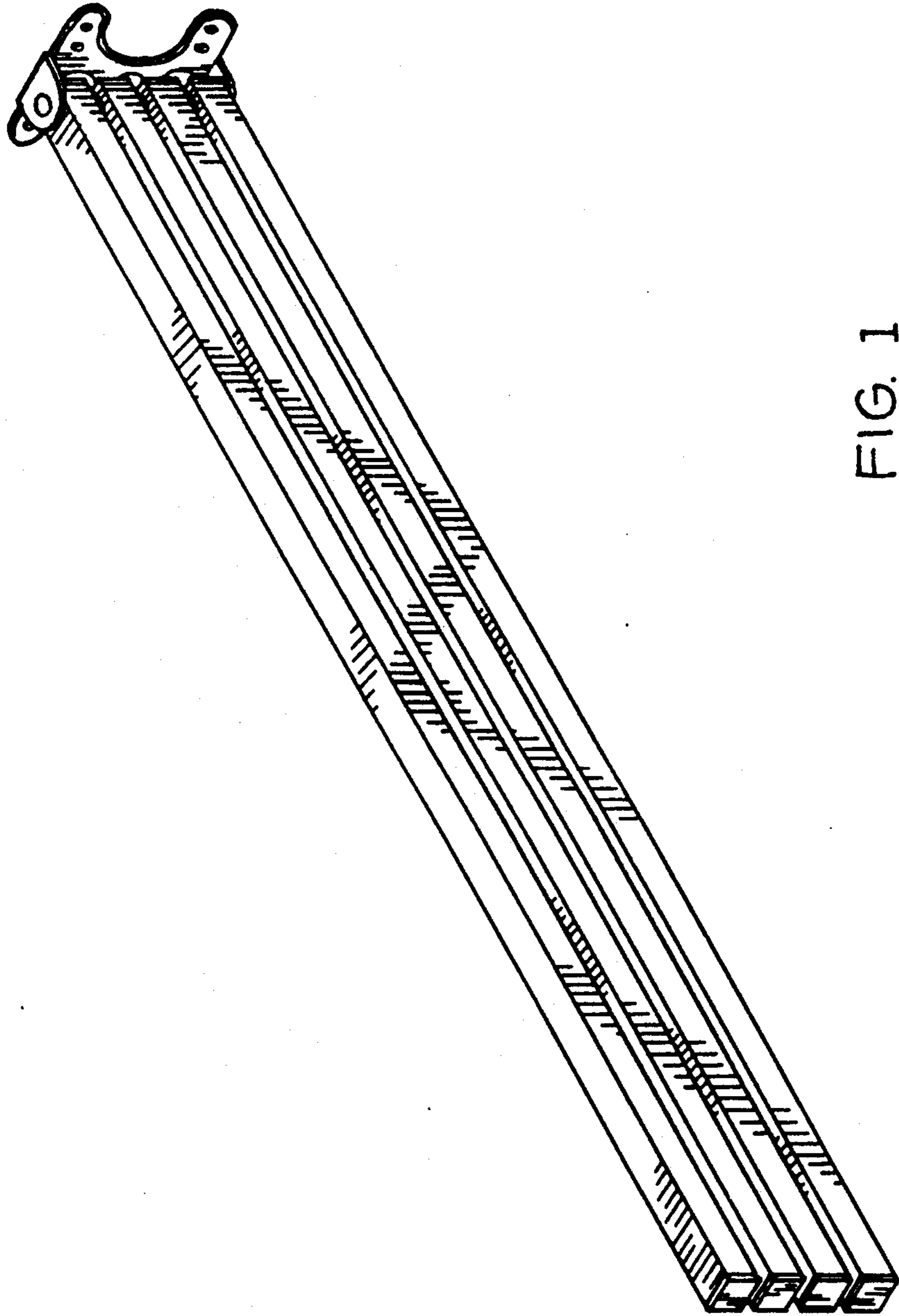


FIG. 1

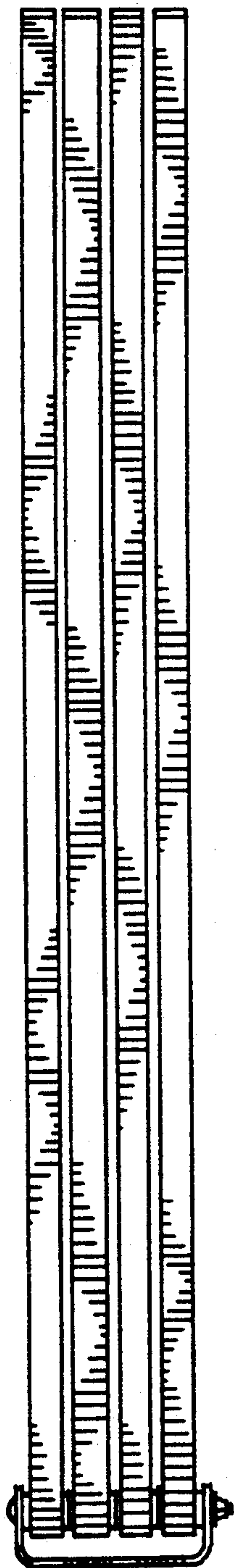


FIG. 2

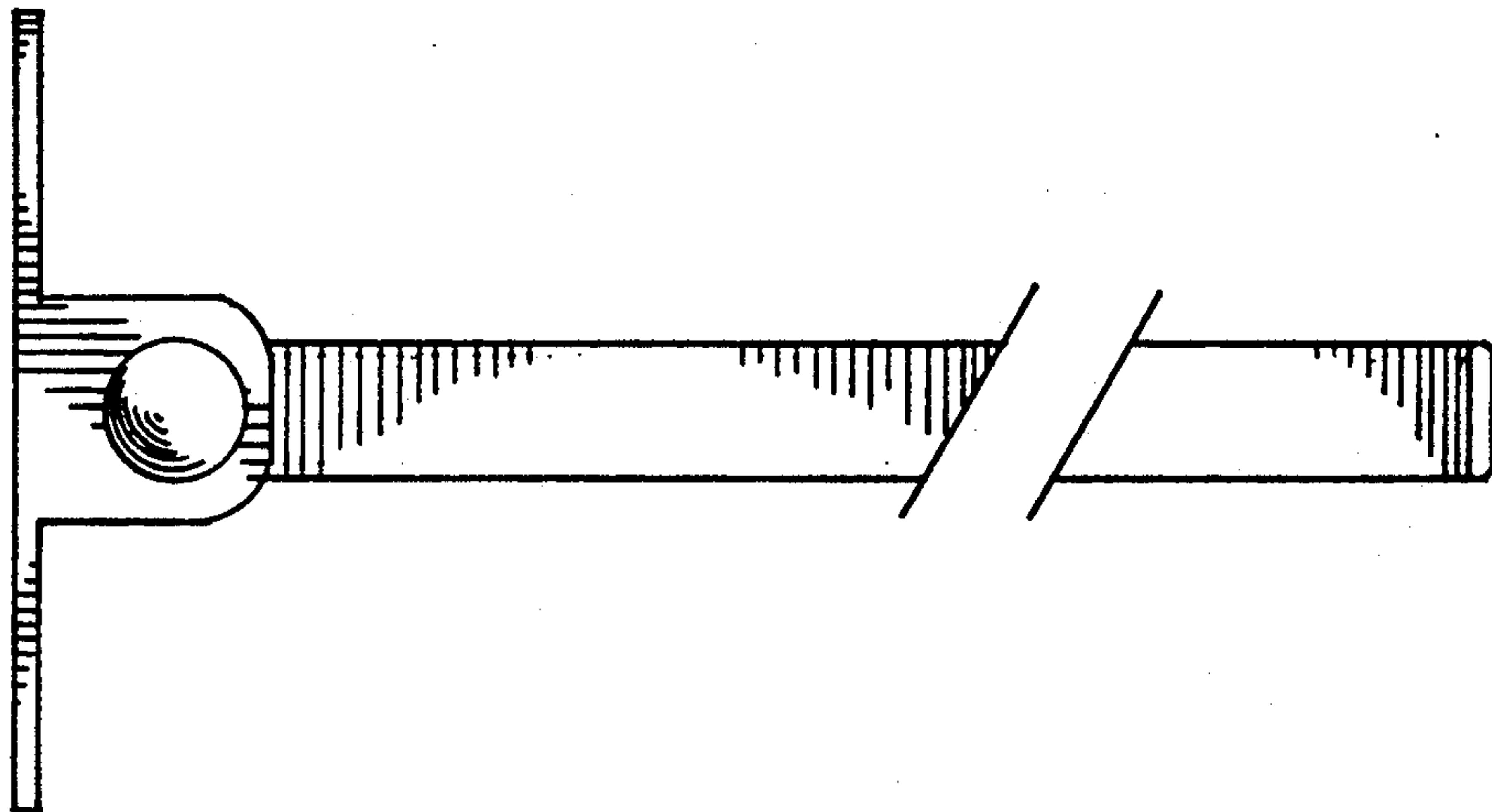


FIG. 3

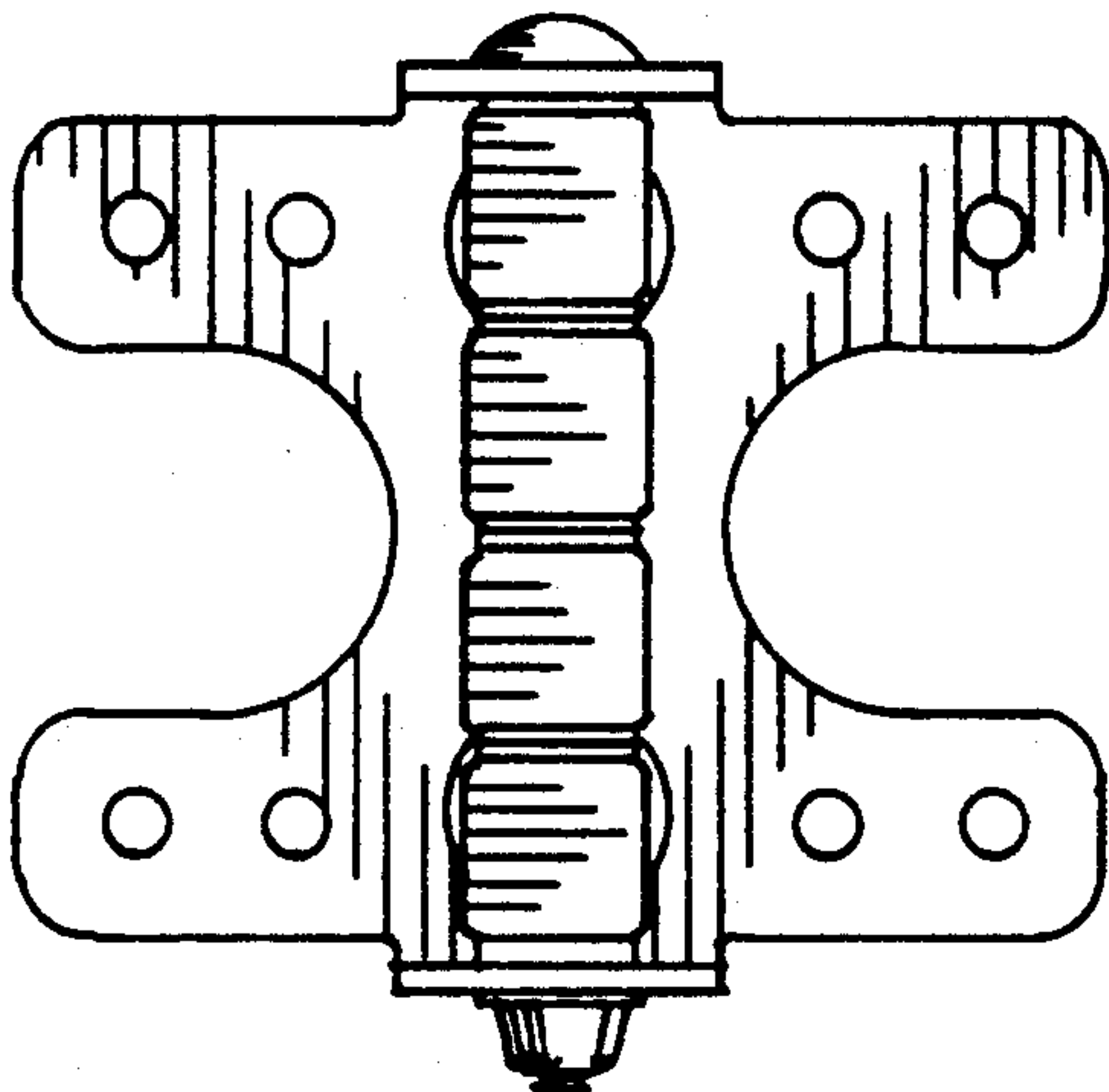


FIG. 4

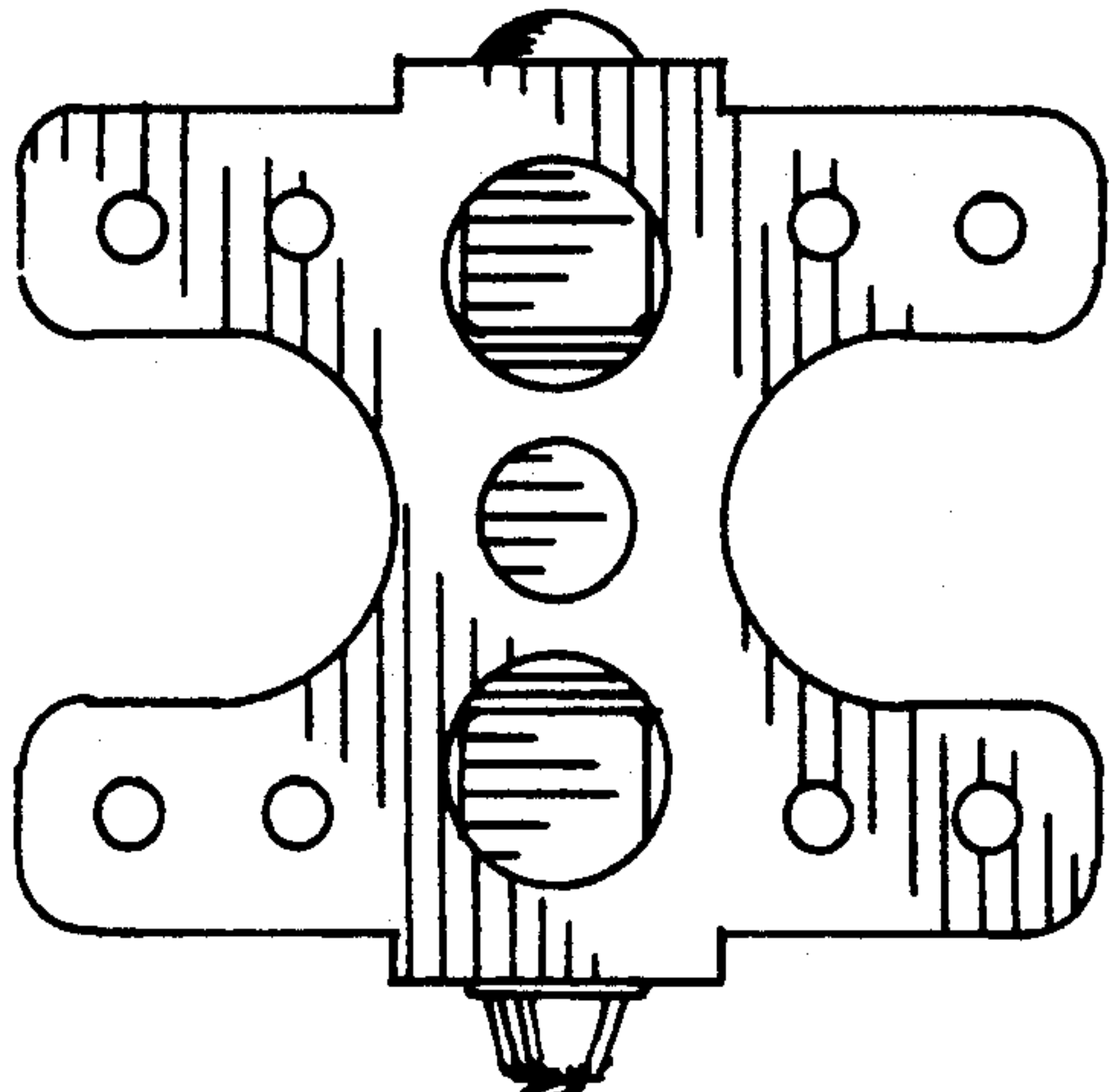


FIG. 5