



US00D338122S

United States Patent [19]

[11] Patent Number: **Des. 338,122**

Emalfarb et al.

[45] Date of Patent: **** Aug. 10, 1993**

[54] **RAILING FLOWER POT HOLDER**

[76] Inventors: **Seymour Emalfarb**, 1585 Saunders Rd., River Woods, Ill. 60015;
Bradley S. Emalfarb, 26529 North Highway 83, Mundelein, Ill. 60060

3,219,302 11/1965 Smith .
3,511,461 5/1970 Clark 47/39 X
4,011,951 3/1977 Boyer 211/71
4,418,496 12/1983 Koistinen .
4,418,883 12/1983 Cohen 248/312.1

[**] Term: **14 Years**

OTHER PUBLICATIONS

Hang Overs™ product label.

[21] Appl. No.: **742,940**

Primary Examiner—Brian N. Vinson
Attorney, Agent, or Firm—Wood, Phillips, Van Santen,
Hoffman & Ertel

[22] Filed: **Aug. 9, 1991**

[52] U.S. Cl. **D6/513**

[58] Field of Search **D6/403, 513, 566, 556;**
D8/349, 354, 373, 380; 211/13, 71, 74-75,
86-87, 89, 113, 119, 18; 248/309.1, 311.2, 312,
312.1, 317-318; 471/66-67

[57] **CLAIM**

The ornamental design of a railing flower pot holder, as shown and described.

[56] **References Cited**

U.S. PATENT DOCUMENTS

D. 231,296	4/1974	Morris et al.	D6/556
D. 259,967	7/1981	Ramsey	D6/566
D. 266,382	10/1982	Hutchinson	D6/556
D. 273,736	5/1984	Barry	D6/556
2,294,151	8/1942	Wooten, Jr. et al.	248/303 X
2,764,384	9/1991	Kirsch .	
2,897,976	4/1959	Miller	D6/553 X
3,013,758	12/1961	Smith	47/39 X

DESCRIPTION

FIG. 1 is a perspective view of a railing flower pot holder showing my new design;
FIG. 2 is a top plan view thereof;
FIG. 3 is a front elevation view thereof;
FIG. 4 is a right side elevation view thereof, the left side elevation view thereof being a mirror image;
FIG. 5 is a rear elevation view thereof;
FIG. 6 is a bottom plan view thereof; and,
FIG. 7 is a perspective view thereof showing an alternate embodiment.

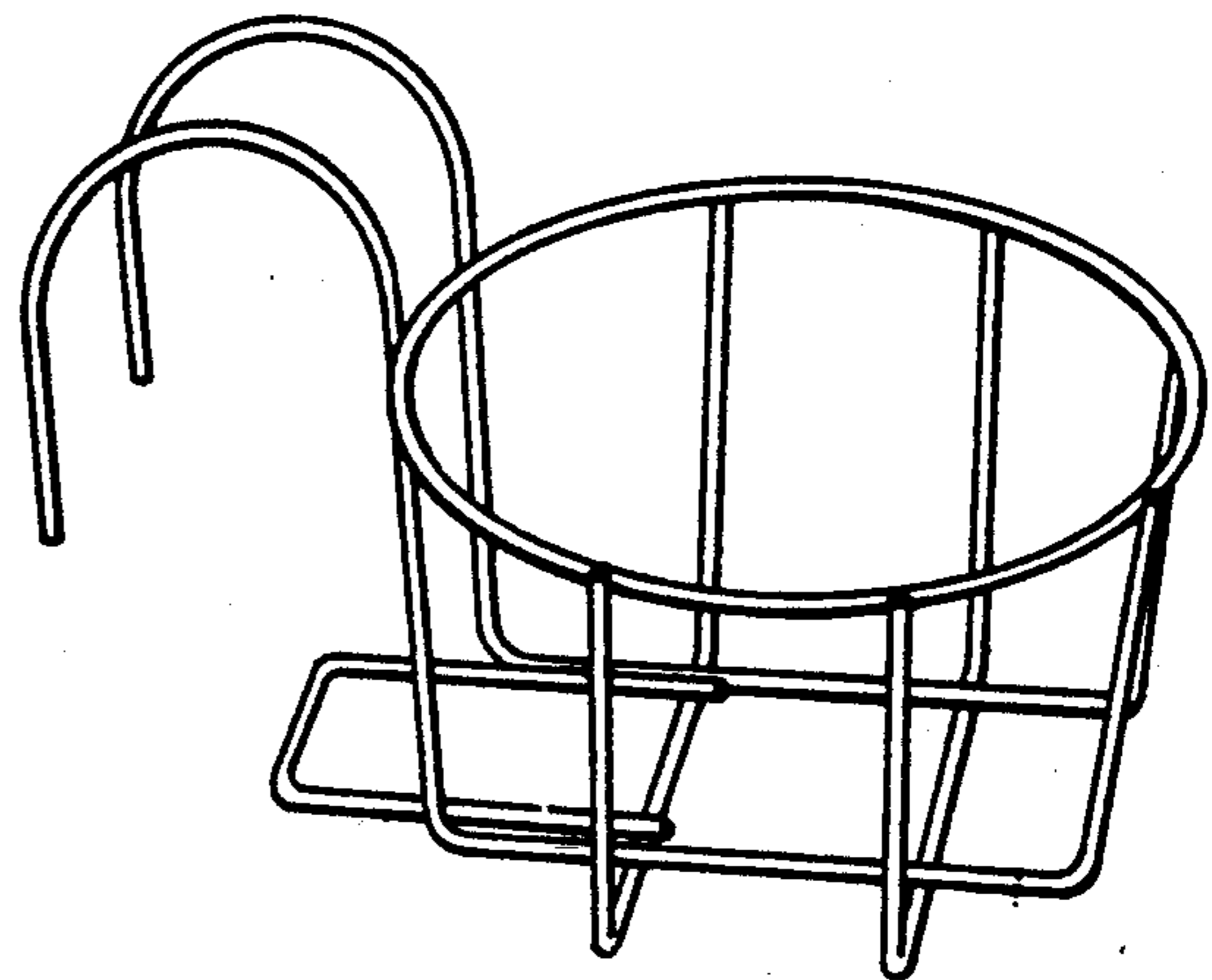
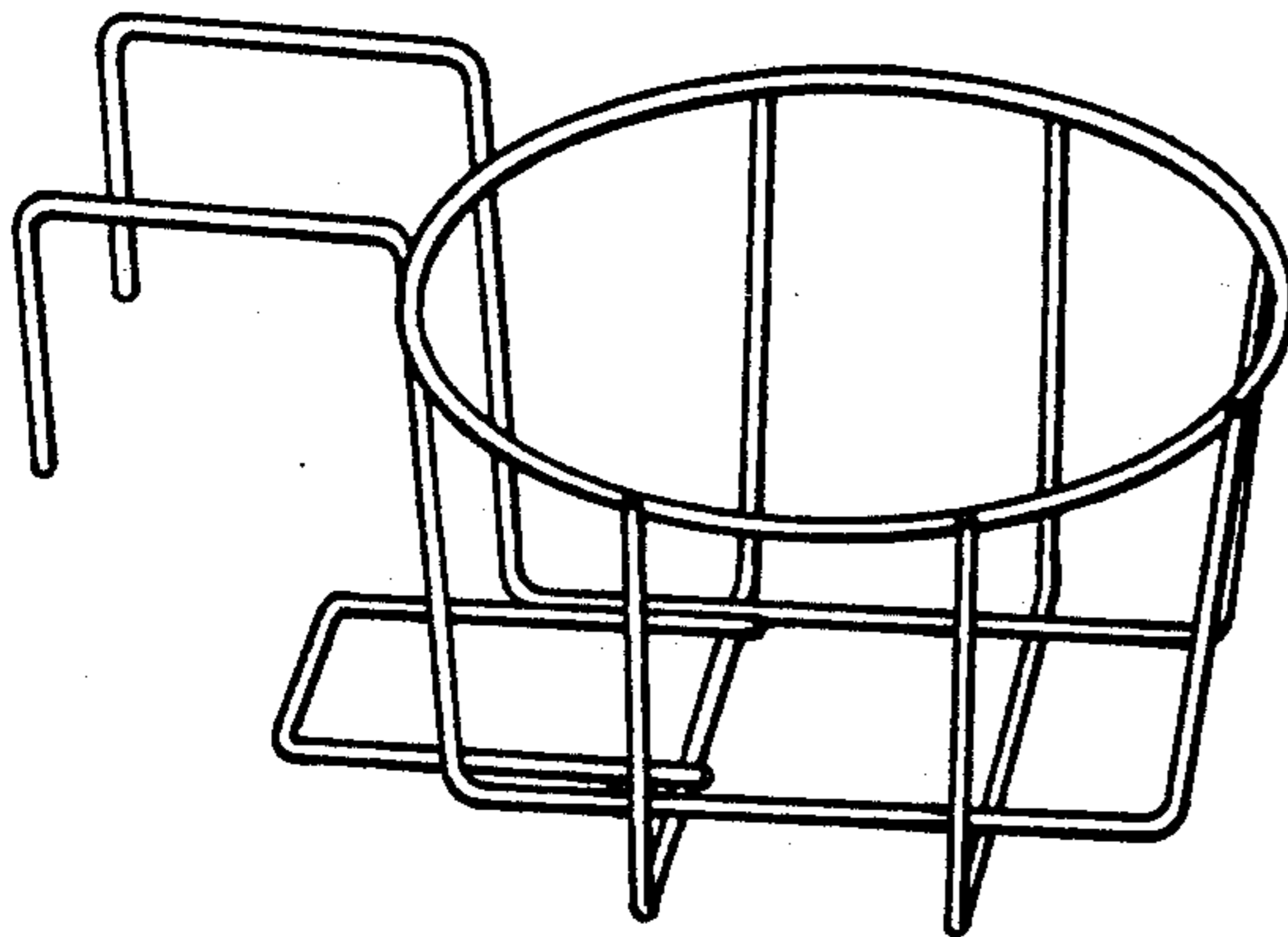


Fig. 1

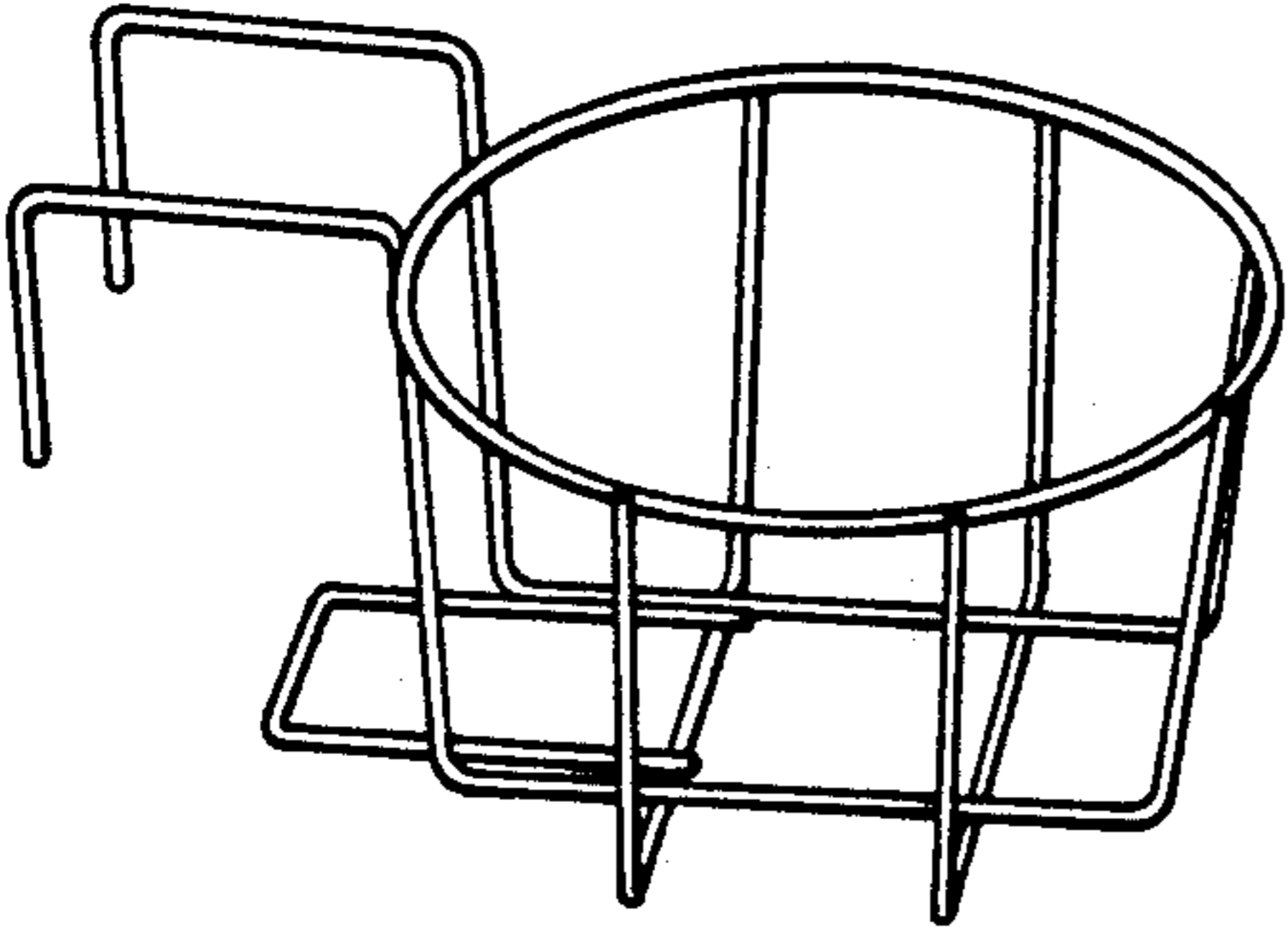


Fig. 2

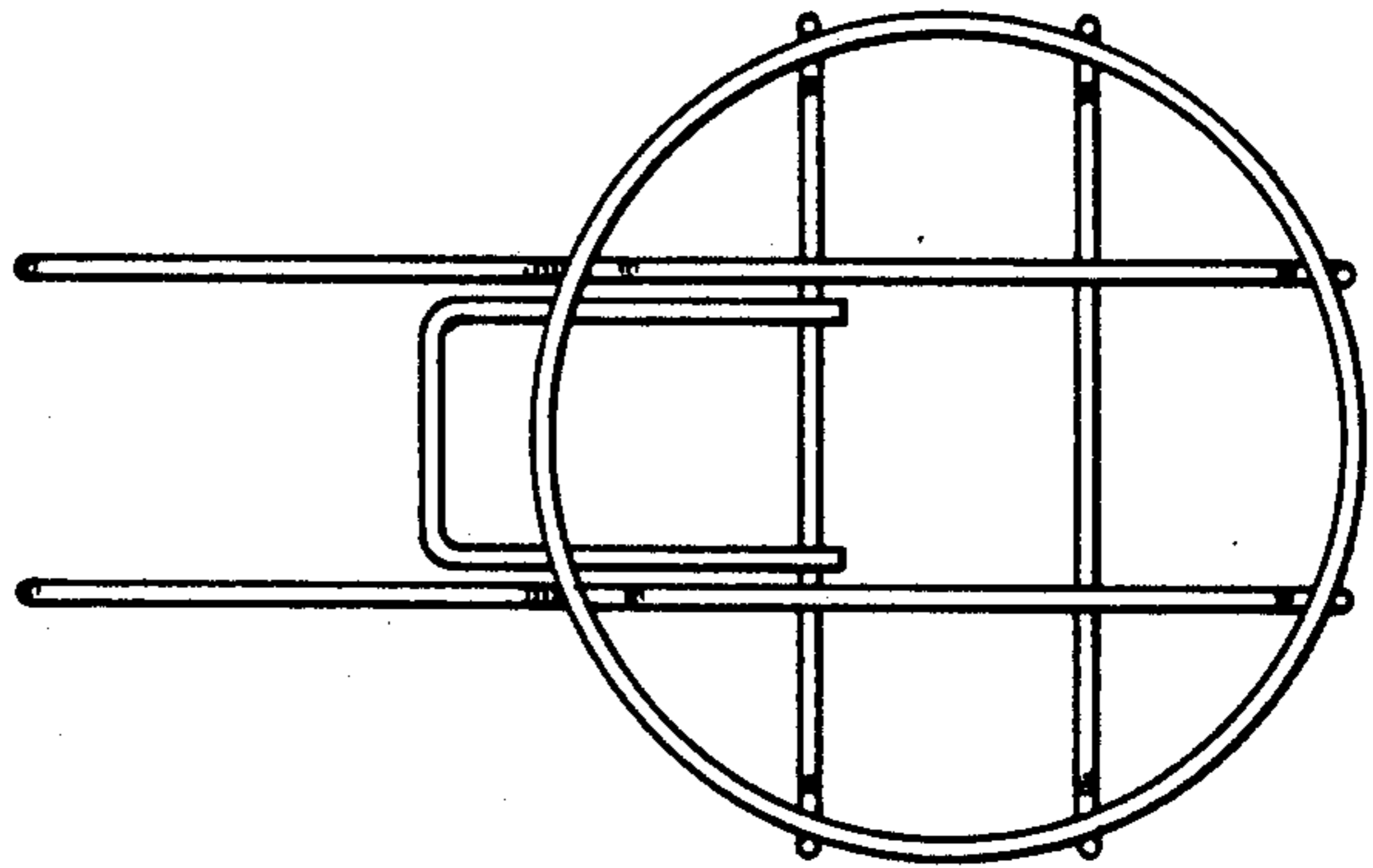


Fig. 3

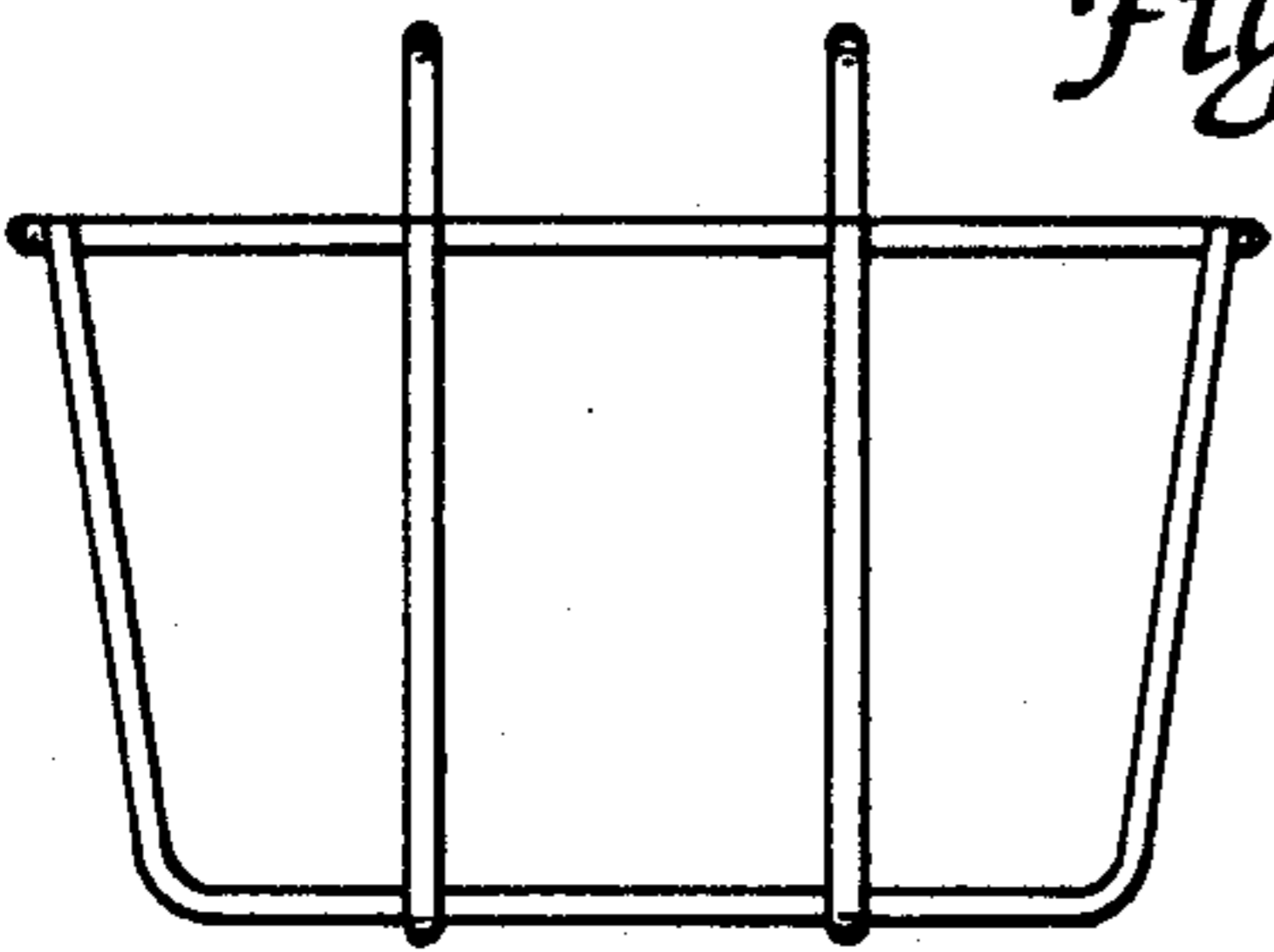


Fig. 4

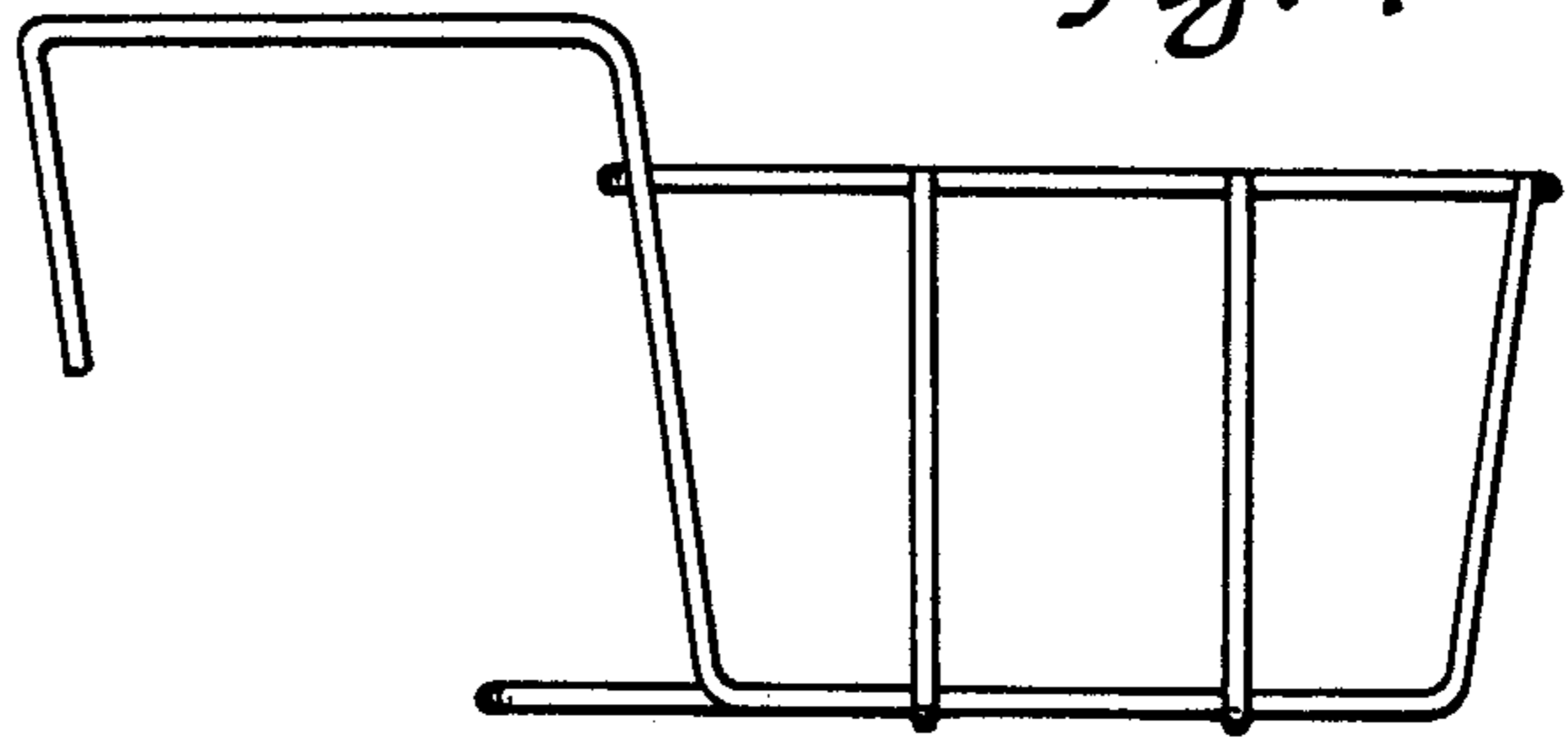


Fig. 5

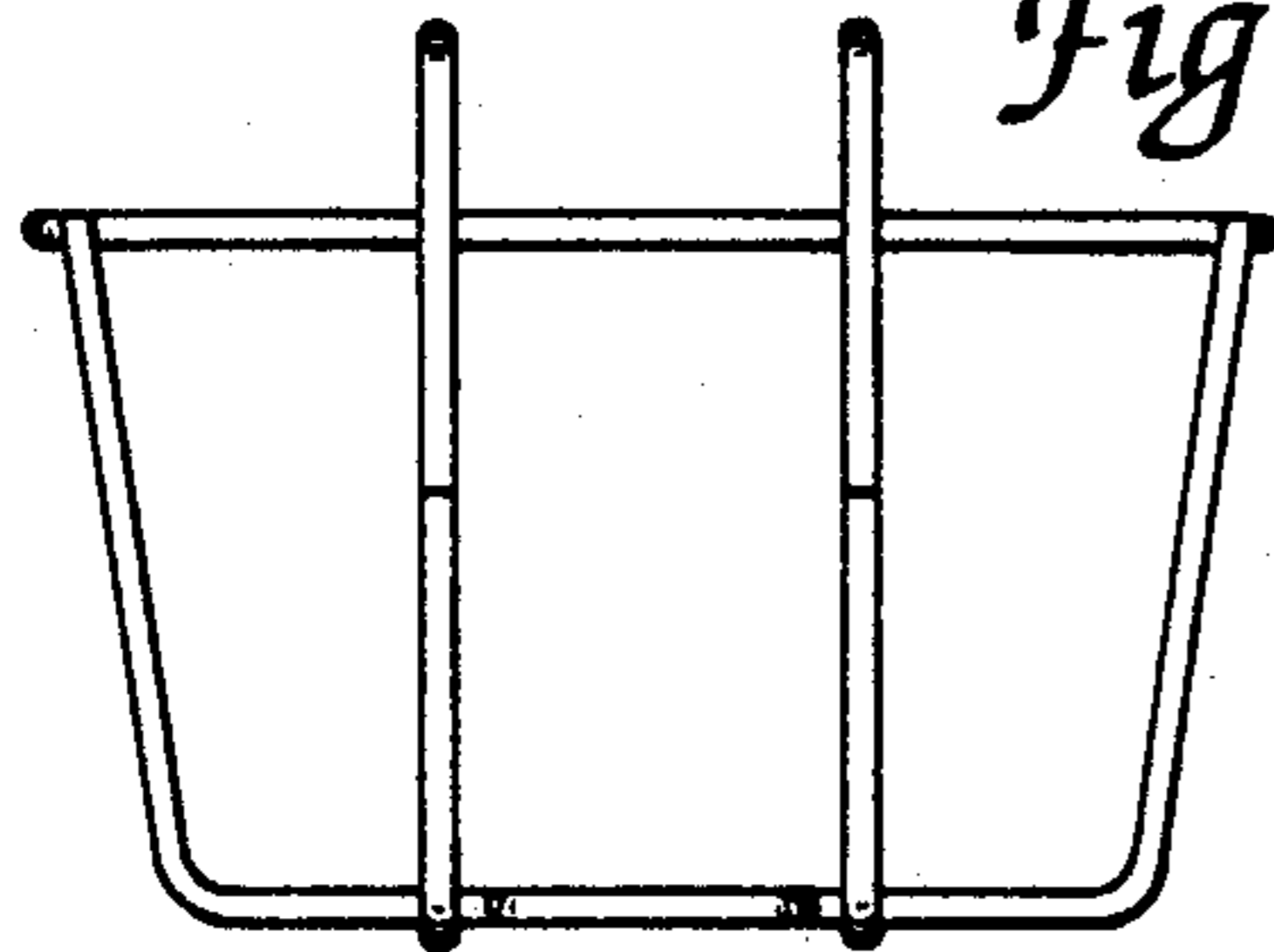


Fig. 6

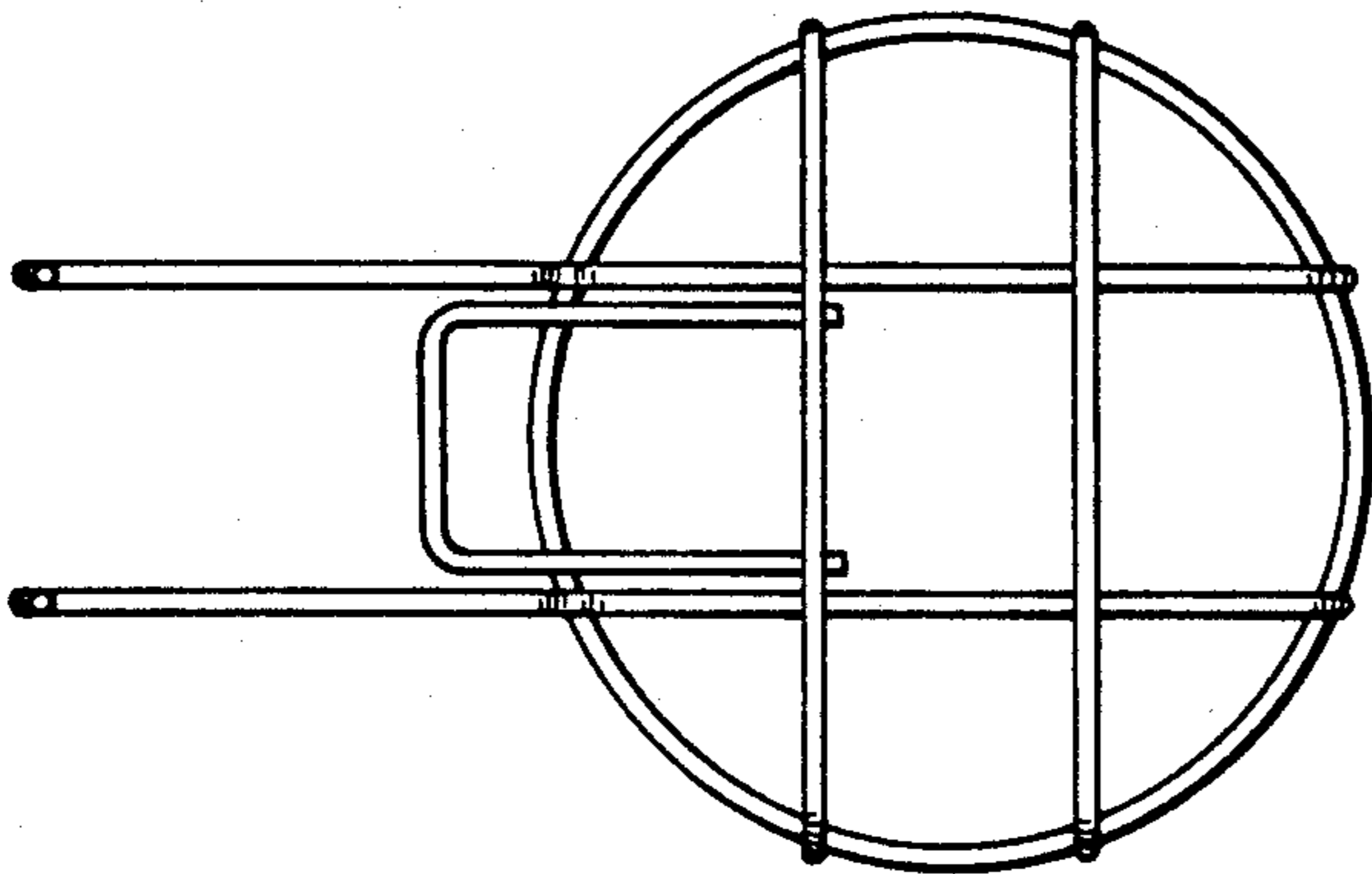


Fig. 7

