



US00D338110S

# United States Patent [19]

[11] Patent Number: **Des. 338,110**

Peay

[45] Date of Patent: **\*\* Aug. 10, 1993**

[54] **INFANT HOLDER FOR CHANGING DIAPERS**

[76] Inventor: **Brad L. Peay, 395 E. 1650 North, Orem, Utah 84057**

[\*\*] Term: **14 Years**

[21] Appl. No.: **399,088**

[22] Filed: **Aug. 25, 1989**

[52] U.S. Cl. .... **D6/333; D6/390; D6/475**

[58] Field of Search ..... **D6/390, 333, 391, 406, D6/449, 396, 466, 467, 468, 475, 476, 555; D3/40; 5/93.1, 101, 3, 431; 108/115, 129, 43; D23/278**

[56] **References Cited**

**U.S. PATENT DOCUMENTS**

- D. 116,372 8/1939 Lynch et al. .... D6/475 X
- D. 186,578 11/1959 Willis ..... D23/278
- D. 217,502 5/1970 Valerie ..... D6/475 X
- D. 221,768 9/1971 Savedra ..... D23/278
- D. 244,815 6/1977 Snow ..... D6/390
- D. 281,555 12/1985 Levy ..... D6/429 X
- D. 314,112 1/1991 Dainty ..... D6/555

- D. 319,358 8/1991 Giugiaro ..... D6/406
- D. 326,384 5/1992 Burt et al. .... D6/555
- 2,886,828 5/1959 Lattuca ..... D23/278 X
- 2,907,051 10/1959 Phillips ..... D23/278 X
- 3,318,612 5/1967 Kuhn ..... 5/93.1 X
- 3,833,947 9/1974 Sorensen ..... D6/391 X
- 3,854,156 12/1974 Williams ..... 5/93.1 X
- 3,971,079 7/1976 Fleischer ..... 5/93.1 X
- 4,790,041 12/1988 Shtull ..... 5/431

*Primary Examiner*—Carmen H. Vales-Lado

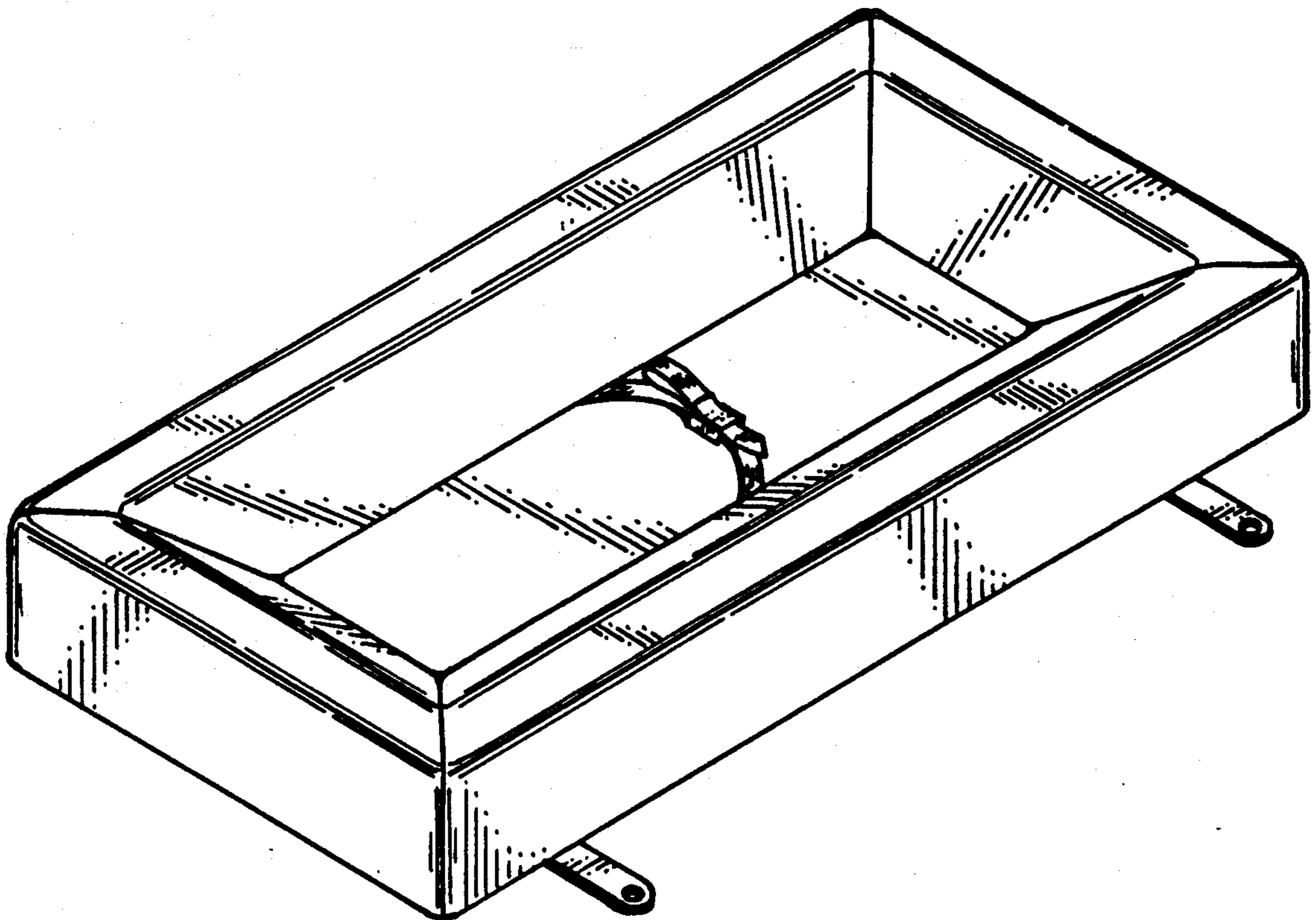
*Assistant Examiner*—Jeffrey Asch

[57] **CLAIM**

The ornamental design for an infant holder for changing diapers, as shown and described.

**DESCRIPTION**

FIG. 1 is a perspective view of an infant holder for changing diapers showing my new design;  
 FIG. 2 is a top plan view thereof;  
 FIG. 3 is a bottom plan view thereof;  
 FIG. 4 is a side elevational view, the opposite side being a mirror image thereof except without the securing tab members; and,  
 FIG. 5 is an end elevational view, the opposite end being a mirror image thereof.



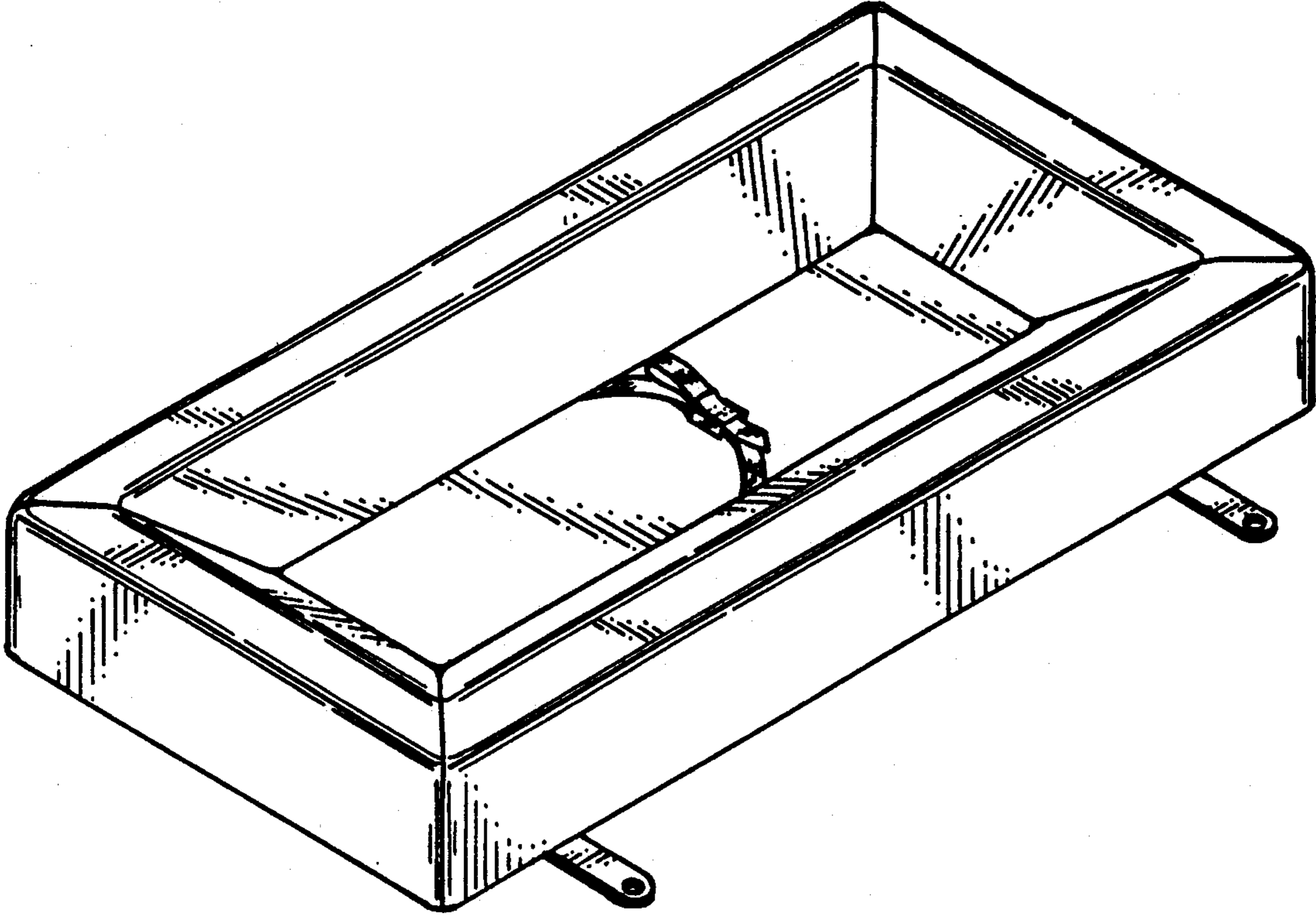


Fig. 1

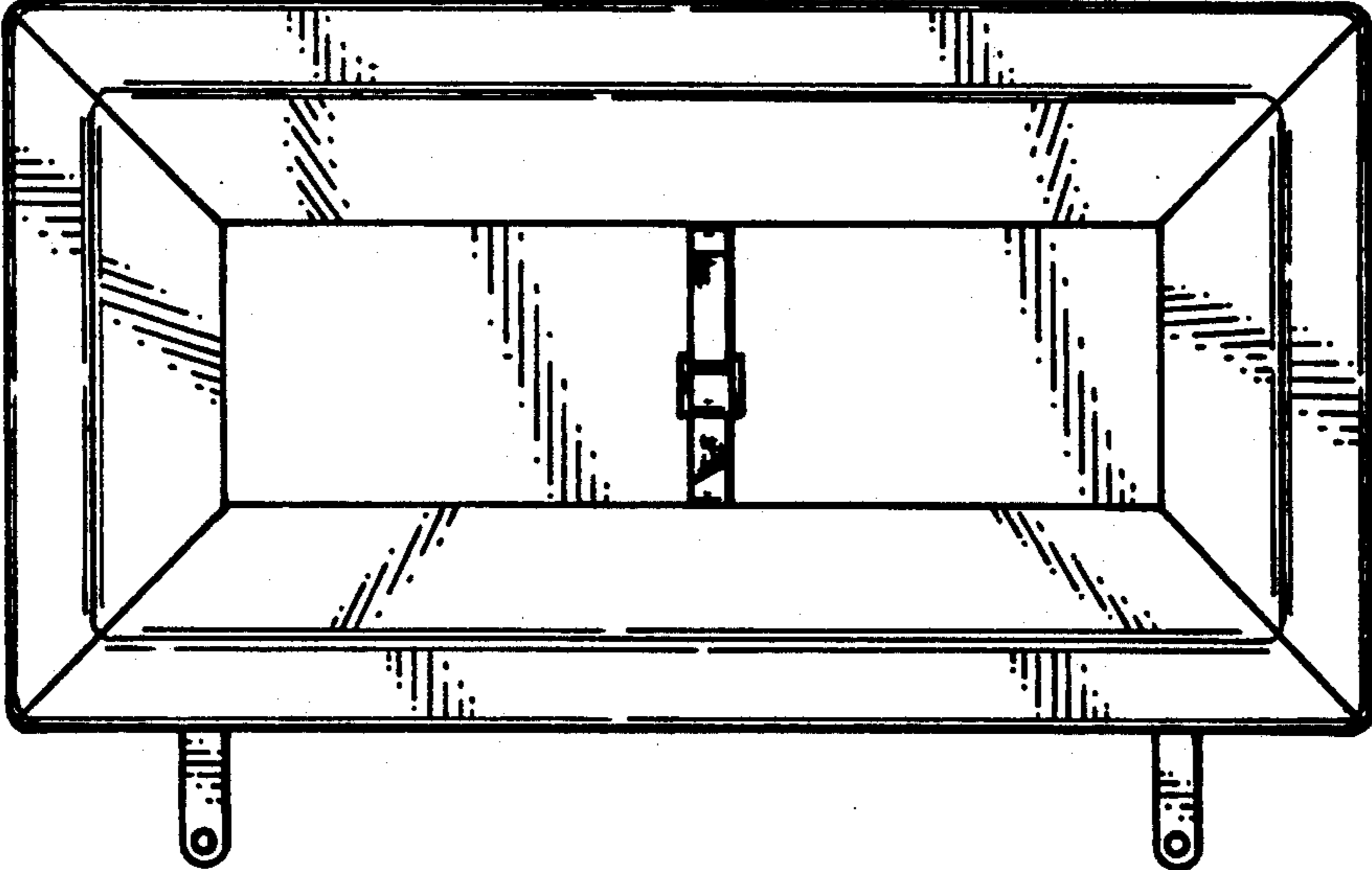


Fig. 2

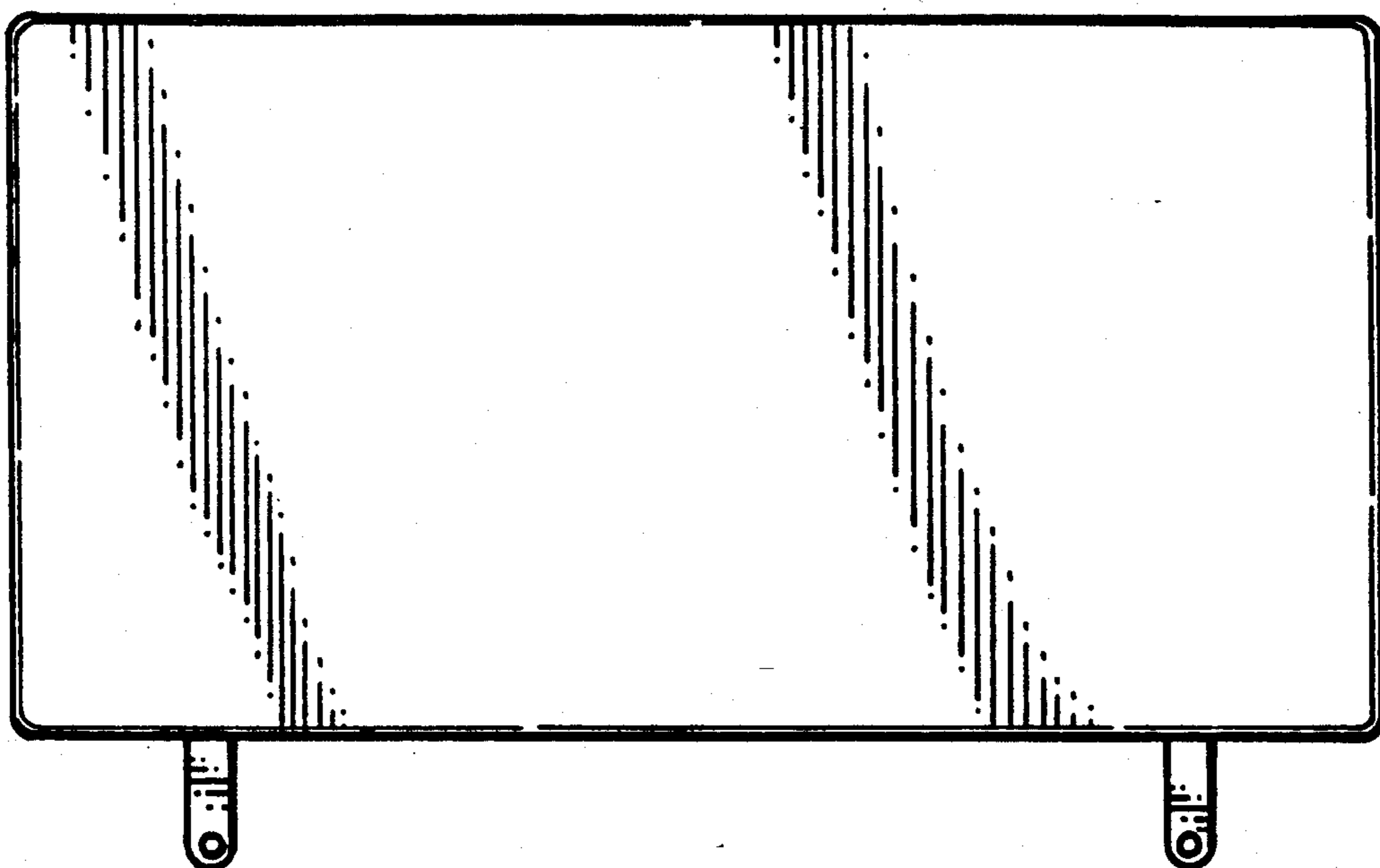


Fig. 3

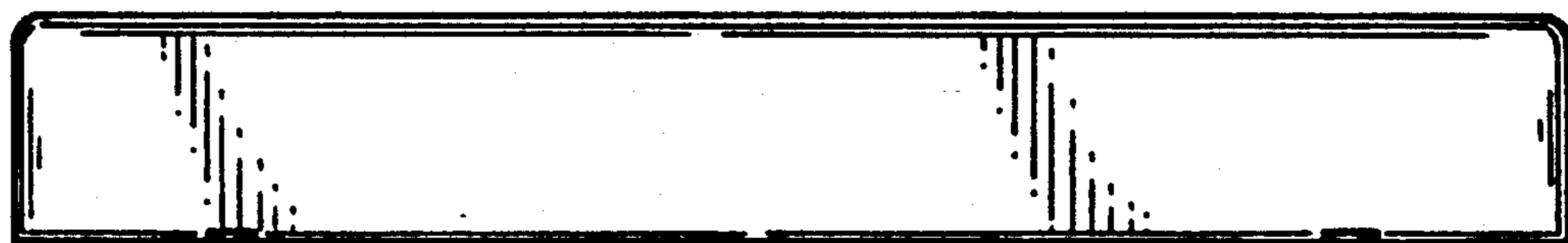


Fig. 4

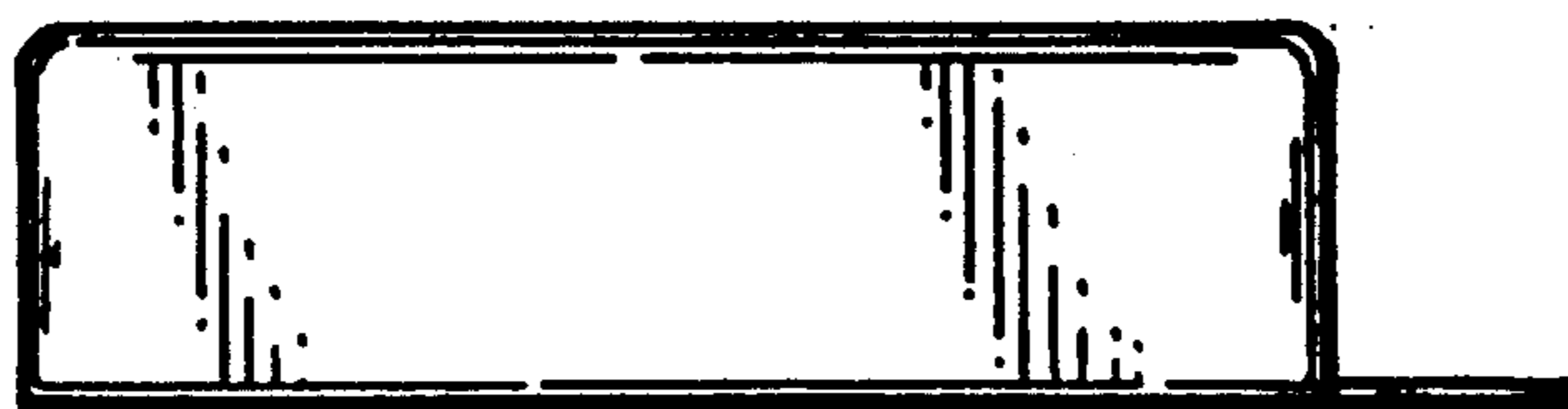


Fig. 5