



US00D338100S

United States Patent [19]

Fuccillo

[11] Patent Number: **Des. 338,100**

[45] Date of Patent: **** Aug. 10, 1993**

[54] **WESTERN BOOT JACK**

[76] Inventor: **Paul P. Fuccillo, 6941 Maple Ave., Westminster, Calif. 92683**

[**] Term: **14 Years**

[21] Appl. No.: **756,767**

[22] Filed: **Sep. 9, 1991**

[52] U.S. Cl. **D2/642**

[58] Field of Search **D2/642; D6/411, 412, D6/413, 414; 223/114, 113, 112**

[56] **References Cited**

U.S. PATENT DOCUMENTS

- D. 143,407 1/1946 Culpepper et al. D6/411
- D. 199,570 11/1964 Van Dusen D6/411
- D. 287,785 1/1987 Lauhoff D2/642

- D. 288,030 2/1987 Lauhoff D2/642
- 459,680 9/1891 Donauer 223/114 X

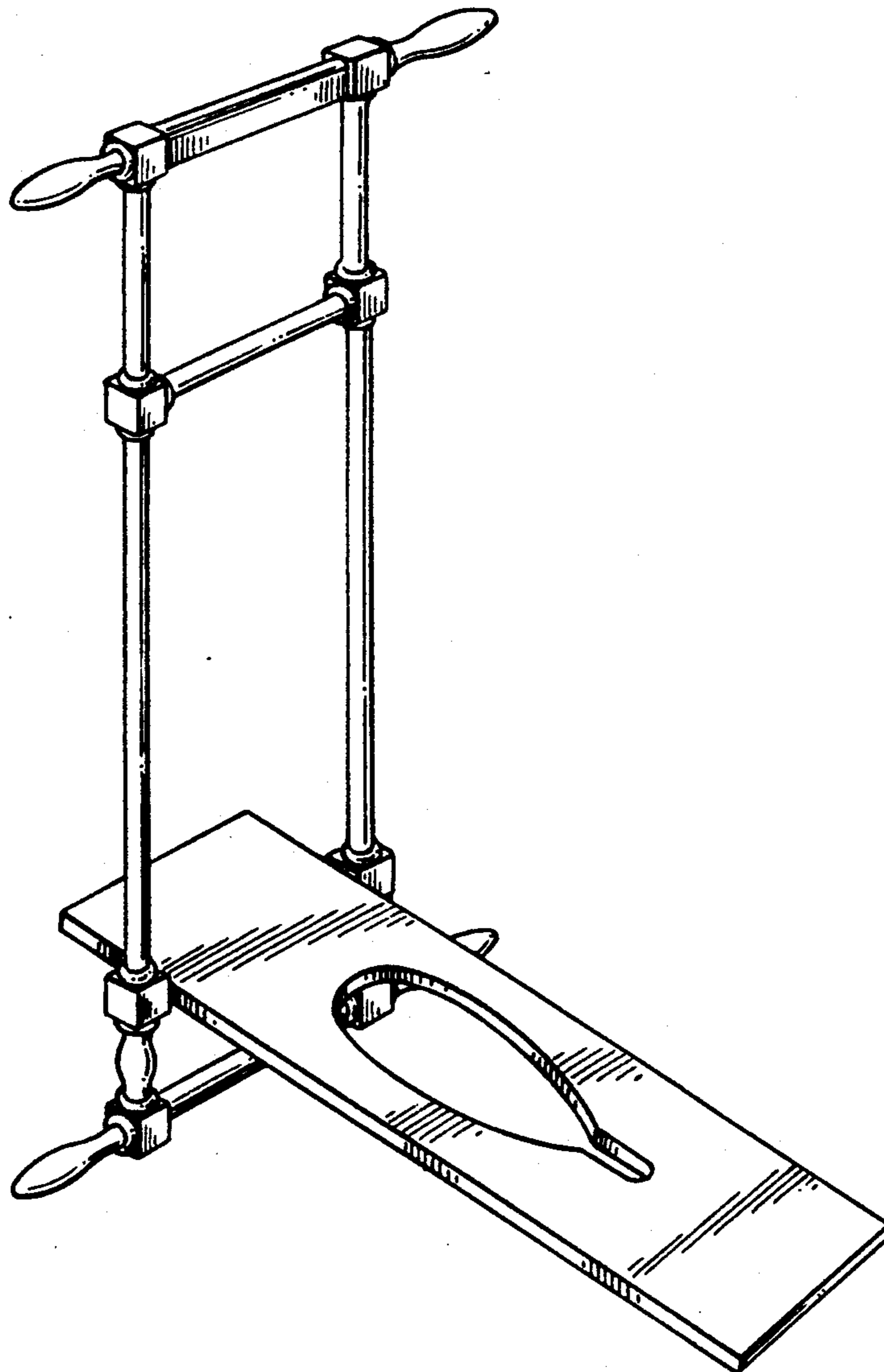
Primary Examiner—Bernard Ansher
Assistant Examiner—Paula A. Mortimer
Attorney, Agent, or Firm—James G. O'Neill

[57] **CLAIM**

The ornamental design for a western boot jack, as shown and described.

DESCRIPTION

FIG. 1 is a front elevational view of a western boot jack showing my design;
FIG. 2 is a side elevational view thereof;
FIG. 3 is a top plan view of FIG. 1;
FIG. 4 is a bottom plan view of FIG. 2;
FIG. 5 is a rear elevational view of FIG. 1; and,
FIG. 6 is a front perspective view of my design.



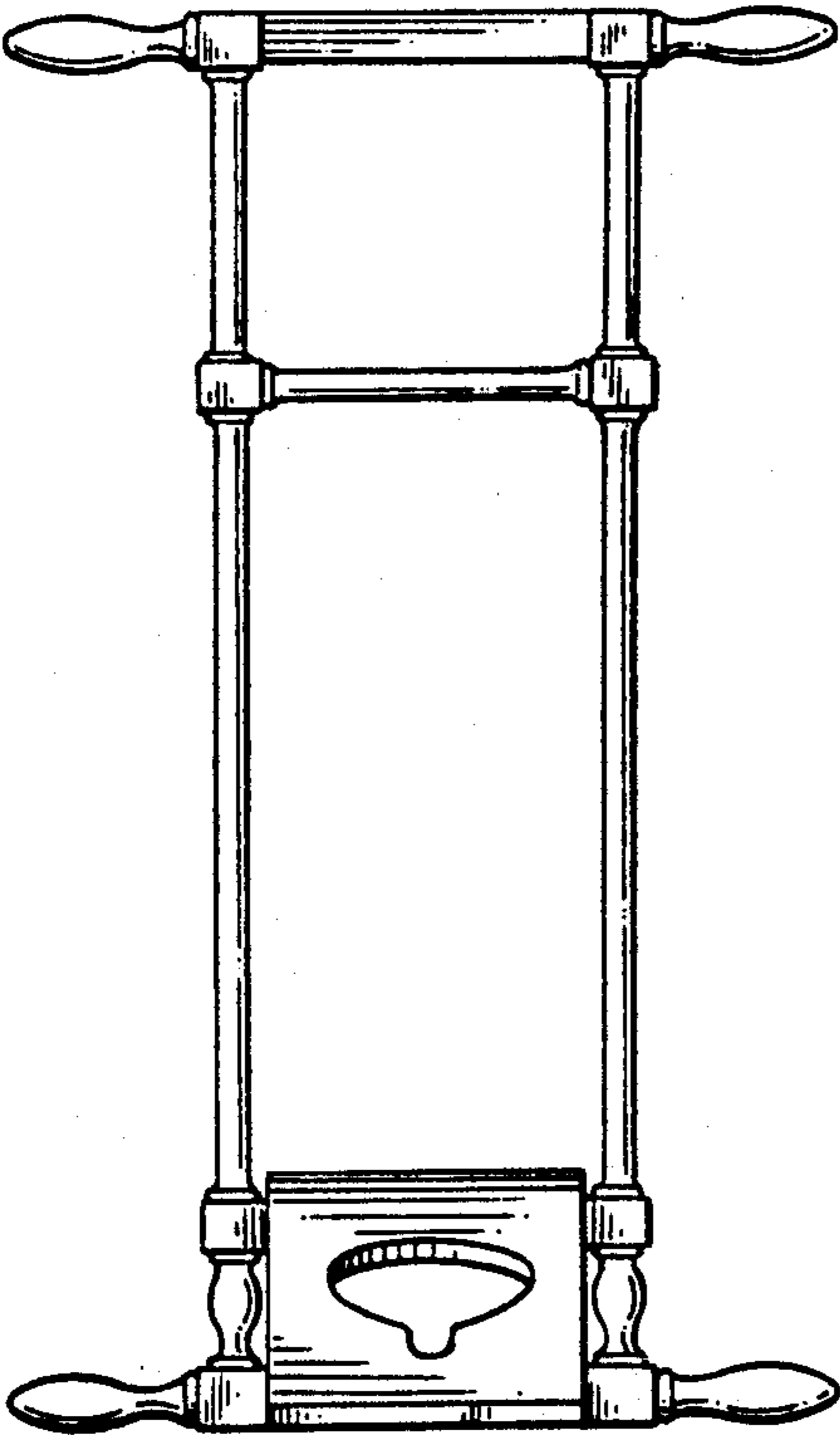


FIG. 1

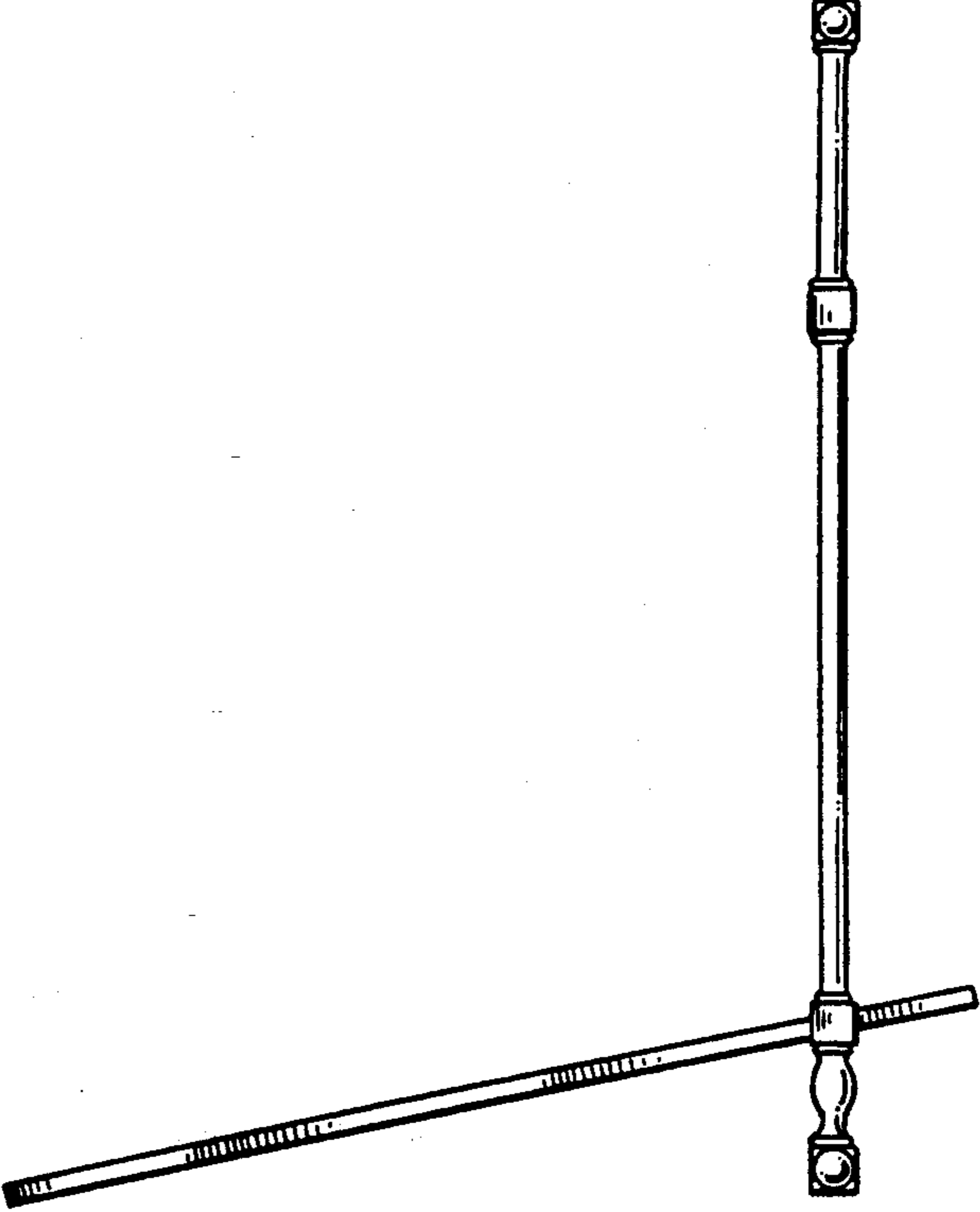


FIG. 2

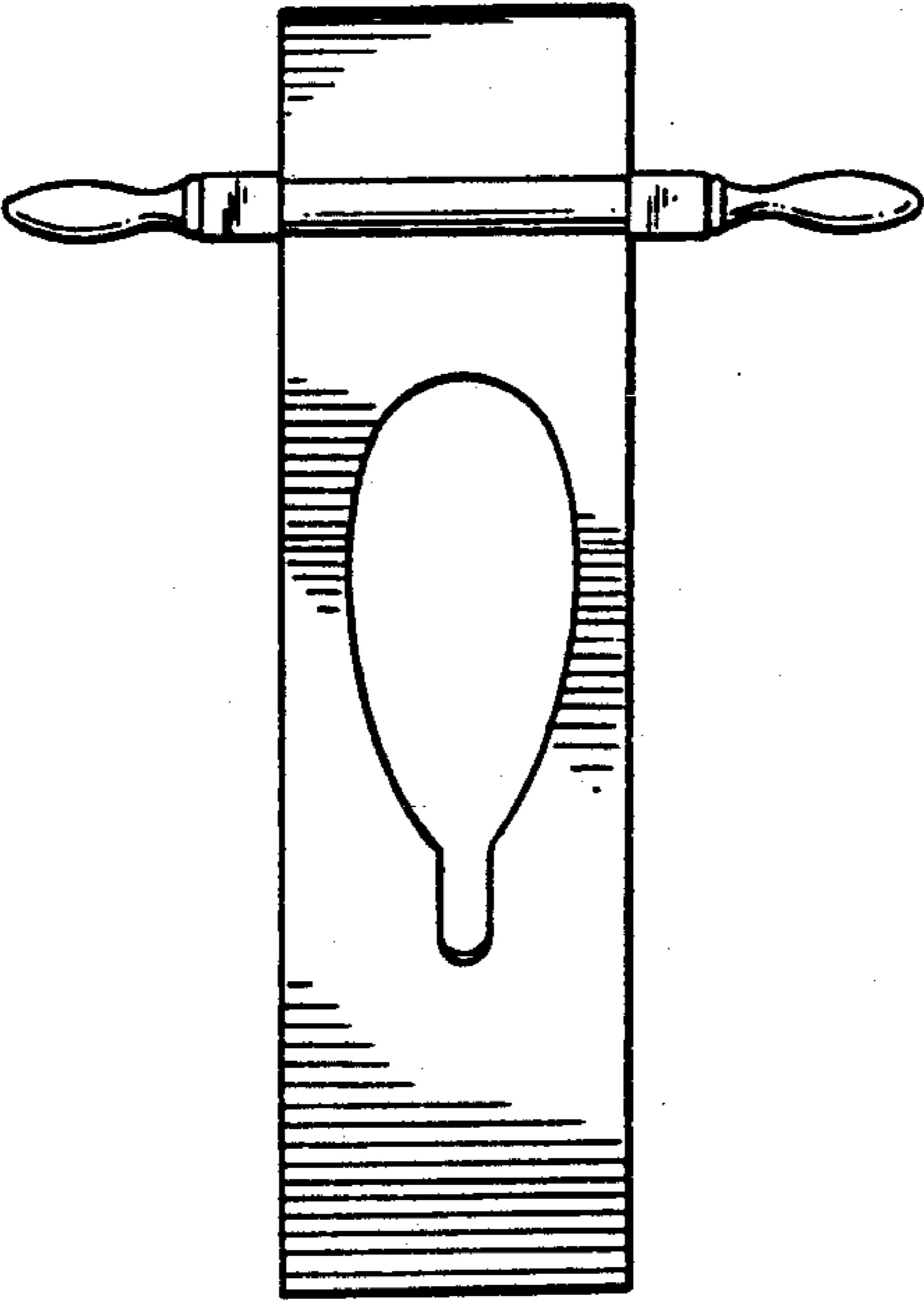


FIG. 3

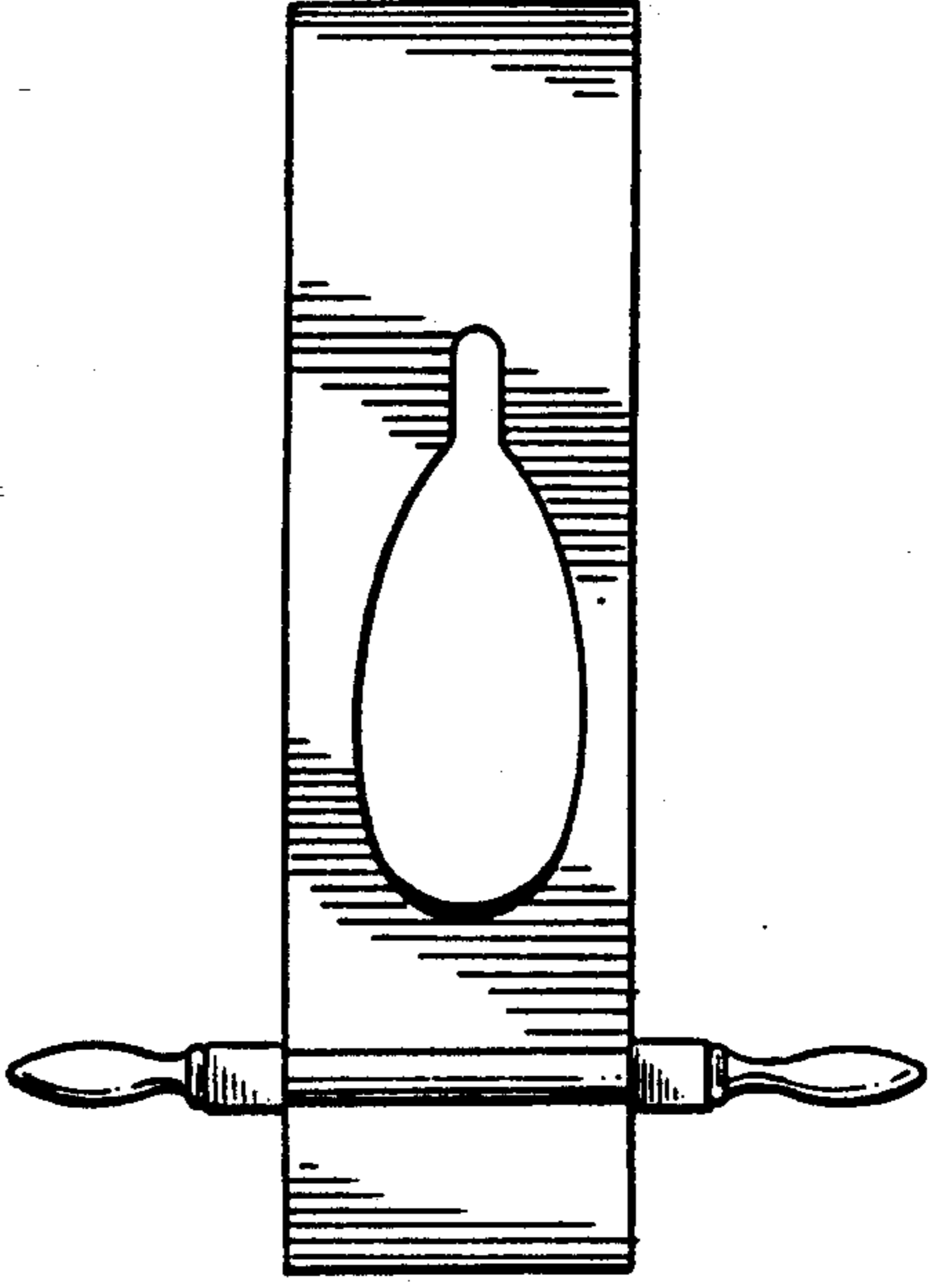


FIG. 4

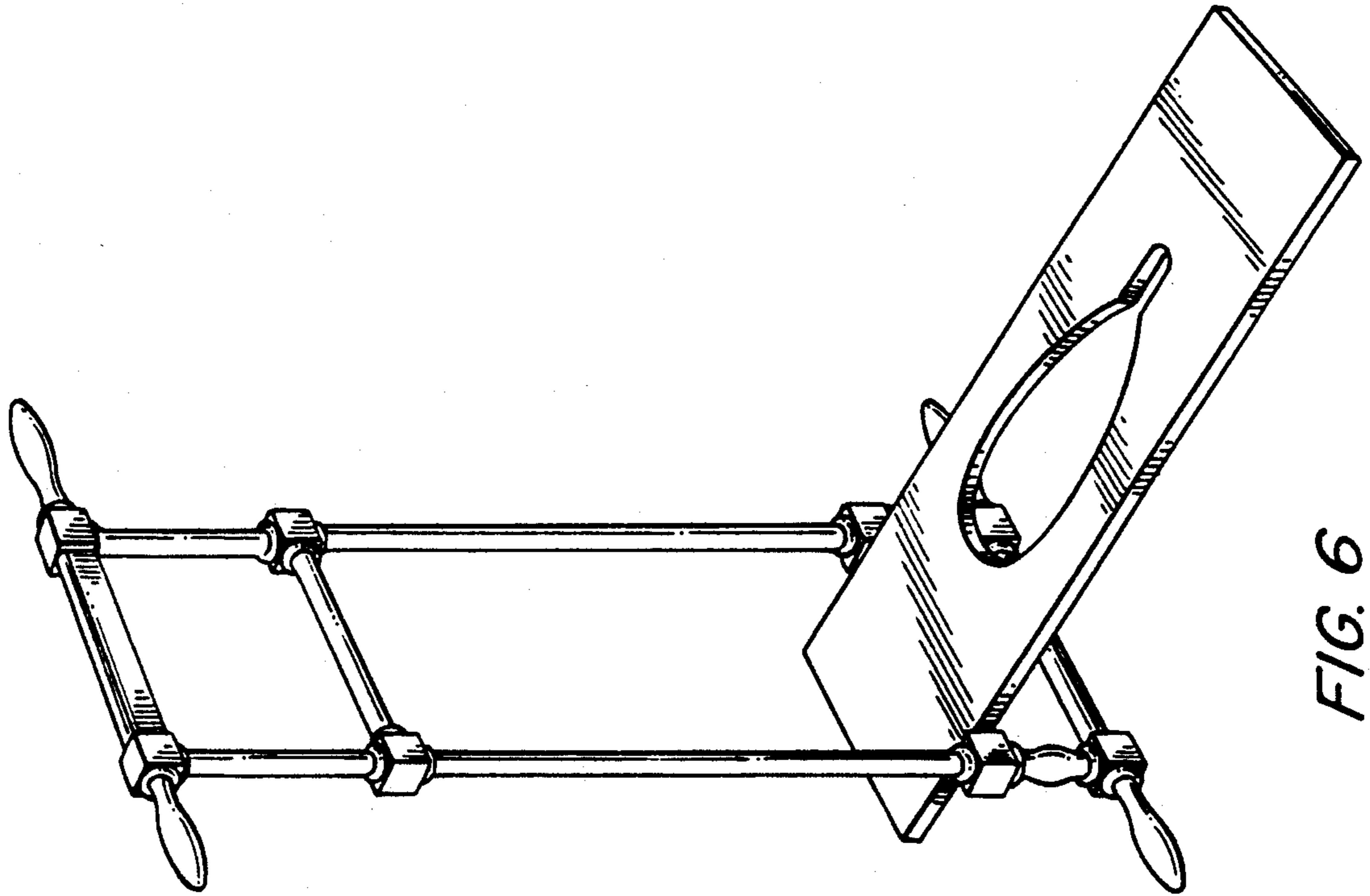


FIG. 6

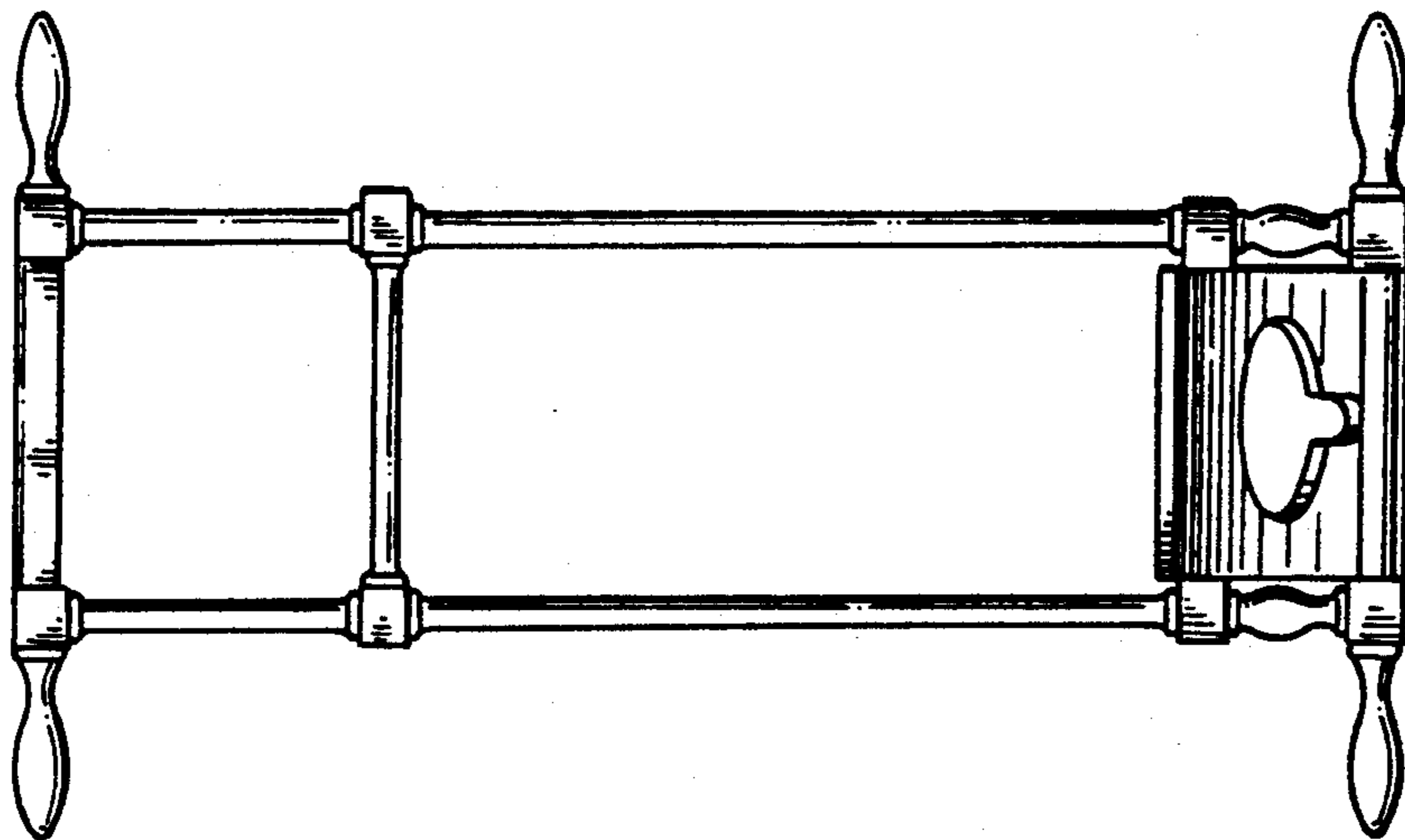


FIG. 5