



US00D338092S

# United States Patent [19]

Payne et al.

[11] Patent Number: **Des. 338,092**

[45] Date of Patent: **\*\* Aug. 3, 1993**

[54] **PALLET FOR SUPPORTING CONTAINERS**

[75] Inventors: **Maurice A. Payne**, 511 Kleckner Rd., Bensalem, Pa. 19020; **David L. Payne**, 109 Grandview Ave., Morrisville, Pa. 19067

[73] Assignees: **Maurice A. Payne; David L. Payne**, both of Tullytown, Pa.

[\*\*] Term: **14 Years**

[21] Appl. No.: **761,223**

[22] Filed: **Sep. 17, 1991**

[52] U.S. Cl. .... **D34/38**

[58] Field of Search ..... **D34/12, 34, 38, 28; 108/52.1, 53.5, 51.1; 206/526; 220/908, 909**

[56] **References Cited**

**U.S. PATENT DOCUMENTS**

2,534,011	12/1950	Frye	229/23
2,683,010	7/1954	Hamerslag, Jr.	248/120
2,700,521	1/1955	Lapham	248/120
2,774,474	12/1956	Phillips	206/65

3,563,184	2/1971	Angelbeck, Jr.	108/53.5
3,581,907	6/1971	Schmidt	108/53.5
3,602,368	8/1971	Gould	206/65
3,993,344	11/1976	Bennett	296/35
4,295,431	10/1981	Stavlo	108/55.1
4,324,333	4/1982	Porter	206/526
4,481,972	11/1984	Stavlo	137/376
4,542,774	9/1985	Stavlo	141/1
4,564,109	1/1986	Stavlo	206/597

*Primary Examiner*—Kay H. Chin

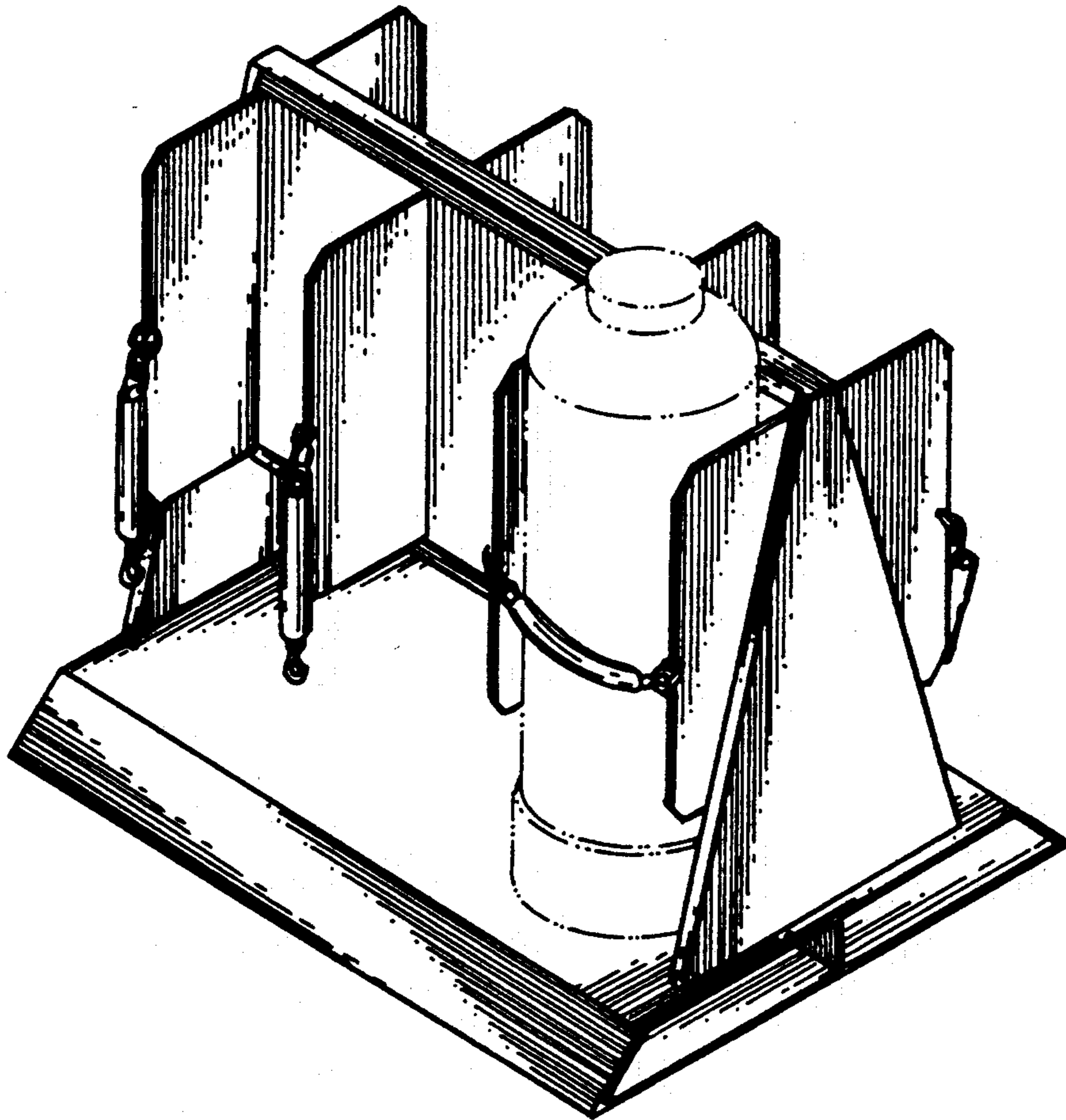
*Attorney, Agent, or Firm*—Panitch Schwarze Jacobs & Nadel

[57] **CLAIM**

The ornamental design for a pallet for supporting containers, as shown and described.

**DESCRIPTION**

FIG. 1 is a front elevational view of a pallet for supporting containers showing our new design; FIG. 2 is a top plan view thereof; FIG. 3 is a bottom plan view thereof; FIG. 4 is a left side elevational view thereof; and, FIG. 5 is a top and right side perspective view thereof.



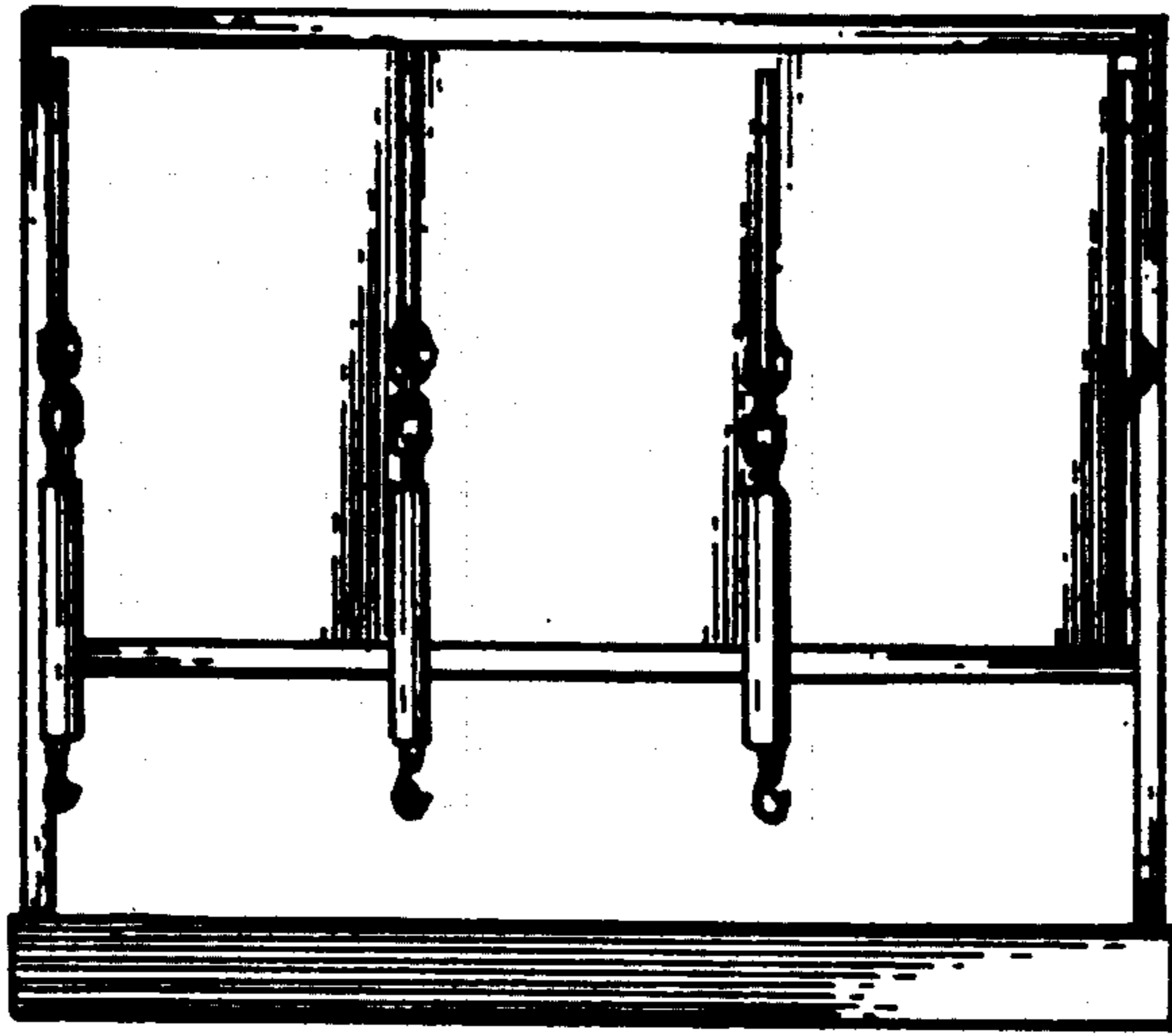


FIG. 1

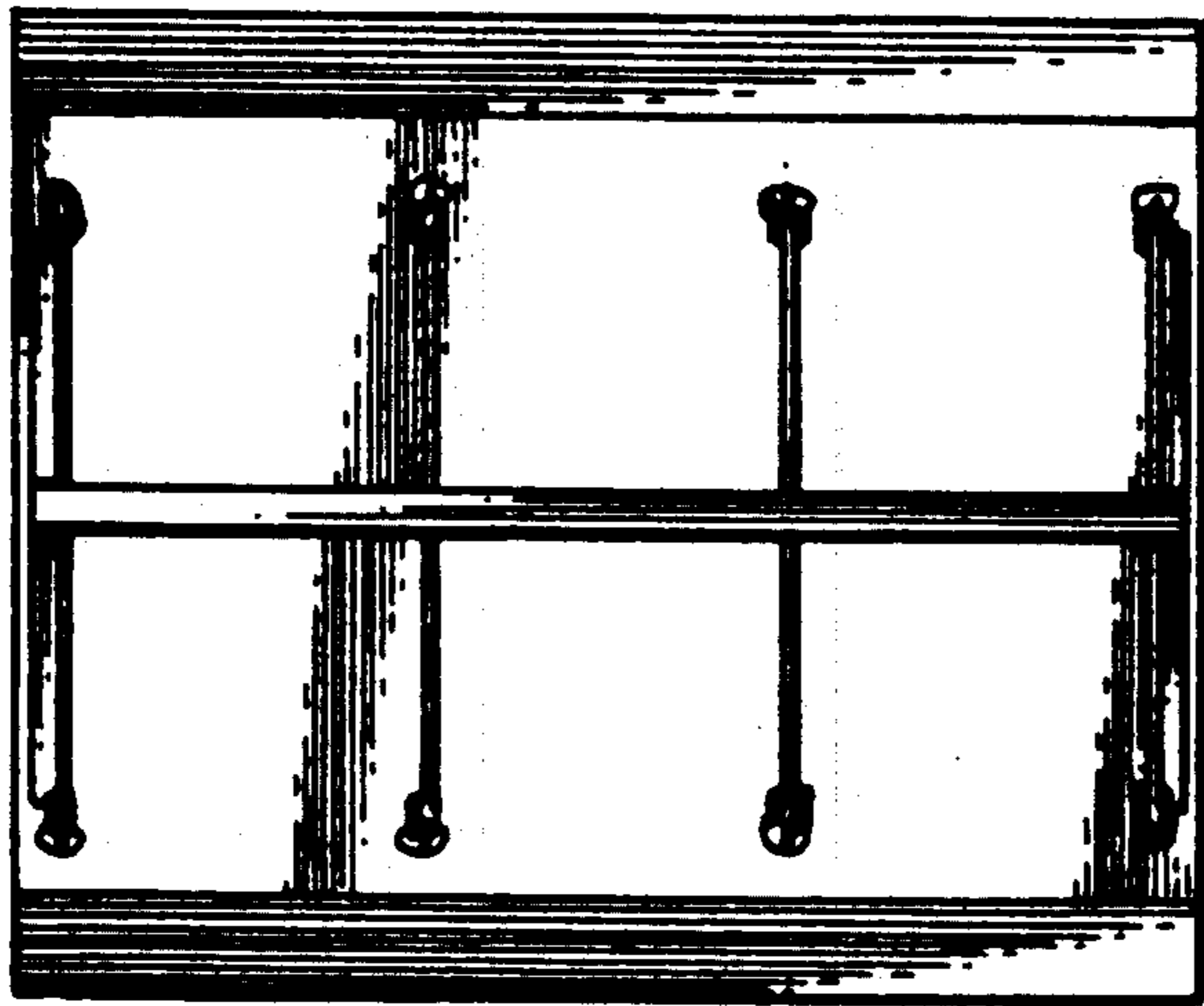


FIG. 2

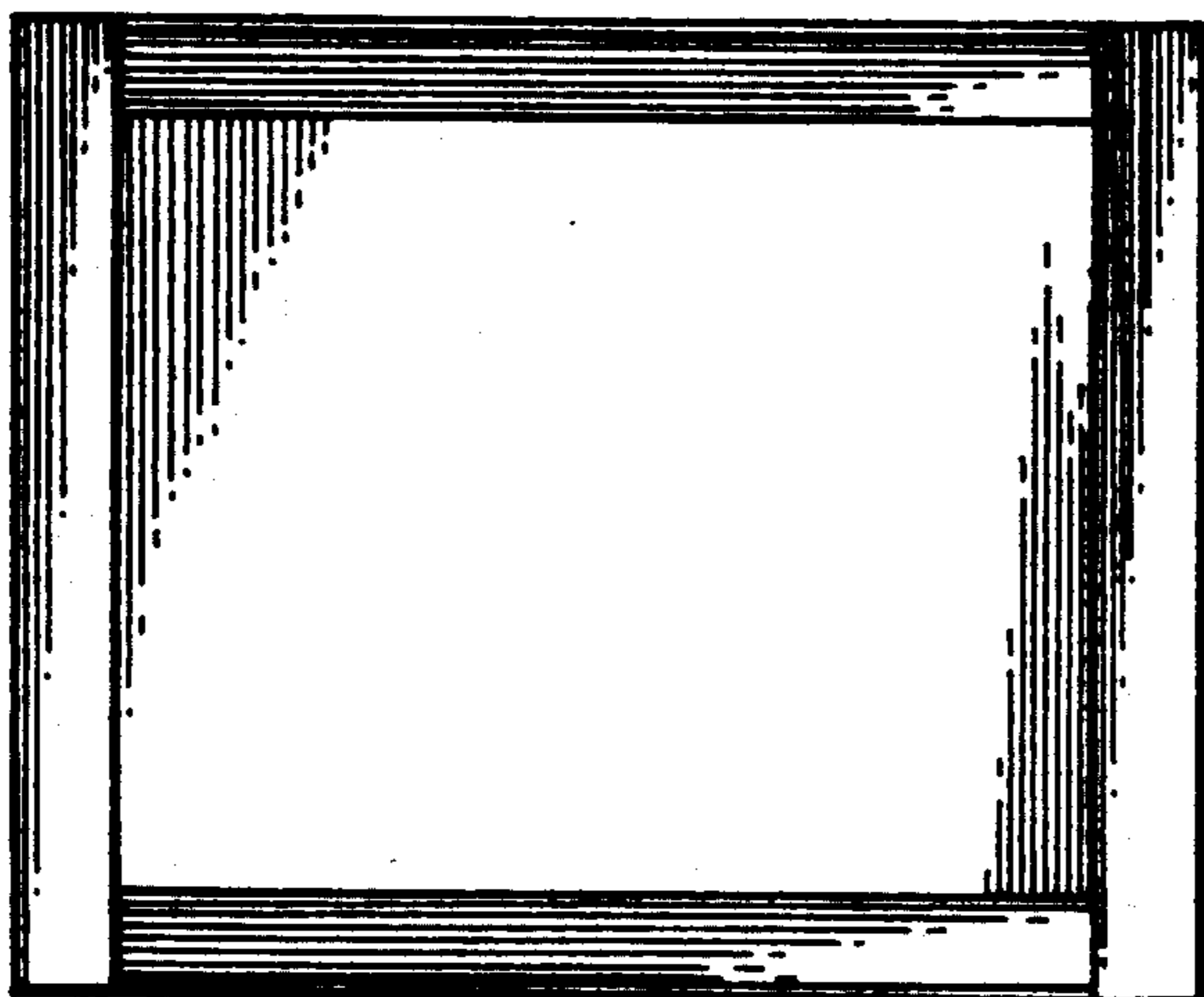


FIG. 3

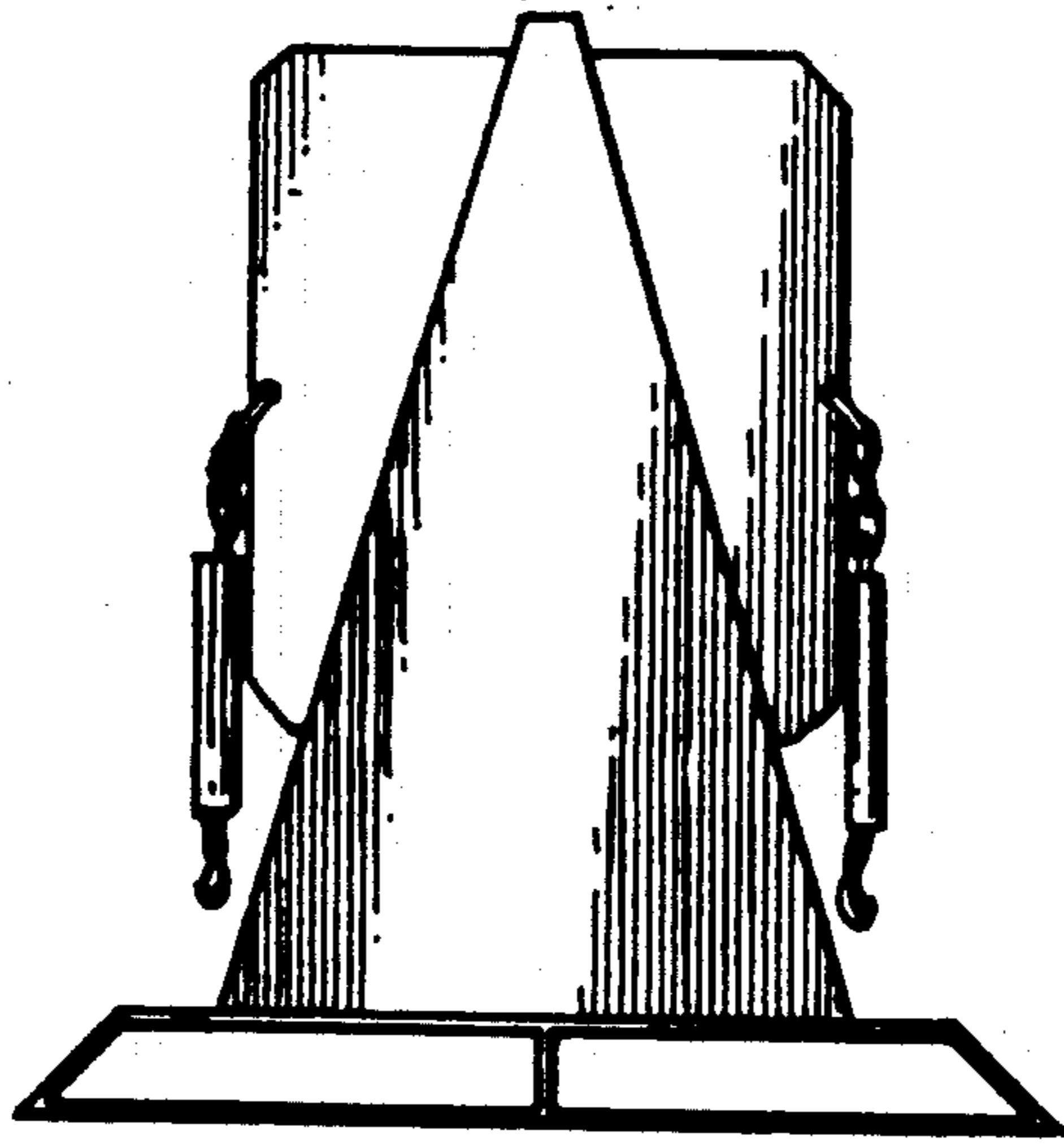


FIG. 4

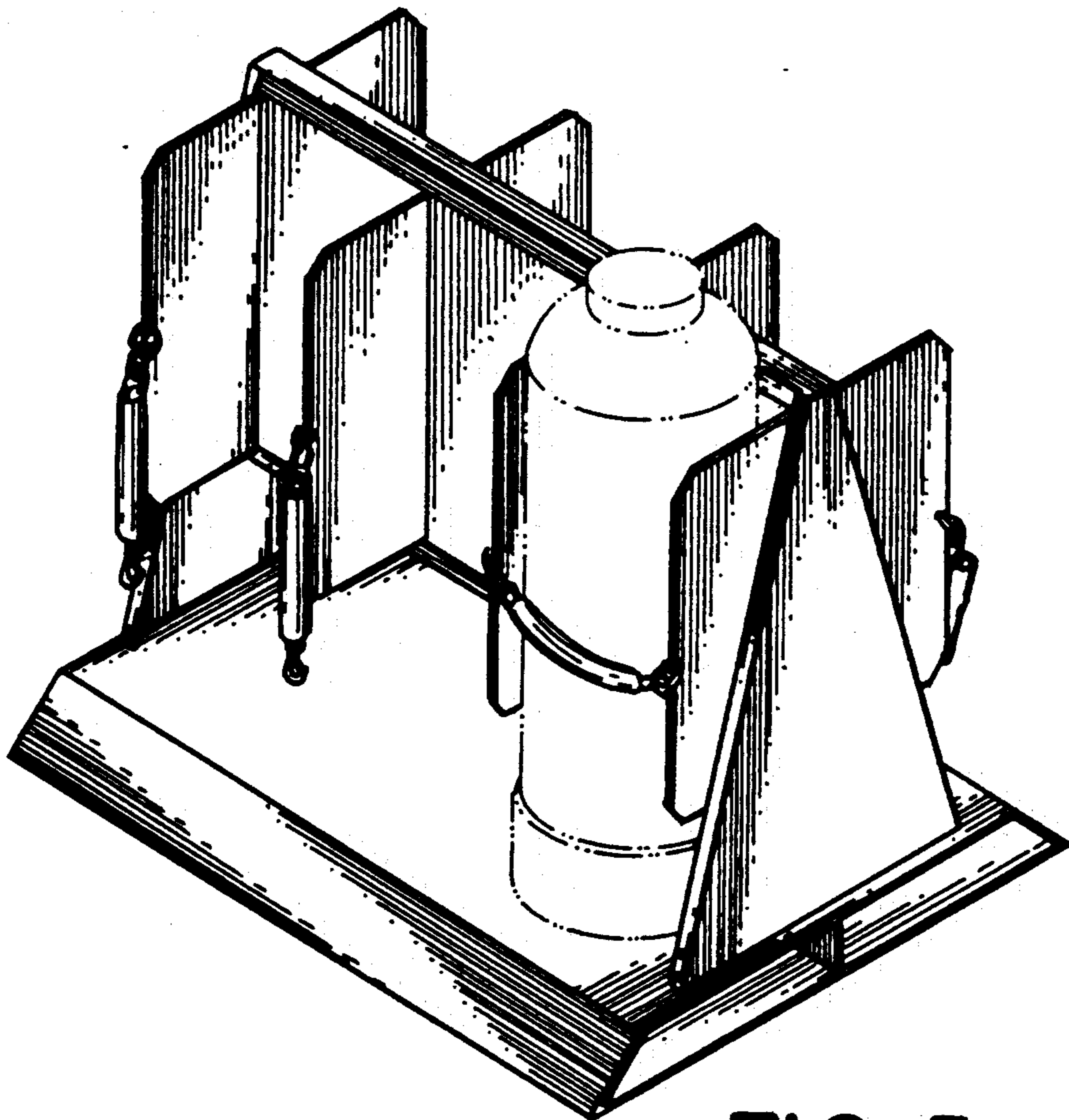


FIG. 5