



US00D338088S

# United States Patent [19]

[11] Patent Number: **Des. 338,088**

**Bailey**

[45] Date of Patent: **\*\* Aug. 3, 1993**

[54] **COMBINED PET FOOD AND WATER DISH**

982,411 1/1911 Coble ..... 119/52.1  
3,405,685 10/1968 Harrell ..... 119/61  
4,085,706 4/1978 Evans ..... 119/61

[76] Inventor: **Jack Bailey**, 1581 SW. Latshaw Ave., Port St. Lucie, Fla. 34953

[\*\*] Term: **14 Years**

[21] Appl. No.: **843,956**

[22] Filed: **Feb. 28, 1992**

[52] U.S. Cl. .... **D30/131**

[58] Field of Search ..... 119/51.5, 61; D30/121, D30/122, 129-133; D7/558, 555, 357, 409, 546

### OTHER PUBLICATIONS

Popular Mechanics; Dec. 1946; p. 193; Self-Feeder for Rabbits; (bottom lower right corner).  
Country Gentleman; Jun. 19, 1915; p. 1059; A Nail-Keg Hopper.

*Primary Examiner*—A. Hugo Word  
*Assistant Examiner*—CathyAnne MacCormac  
*Attorney, Agent, or Firm*—Terry M. Gernstein

### [56] References Cited

#### U.S. PATENT DOCUMENTS

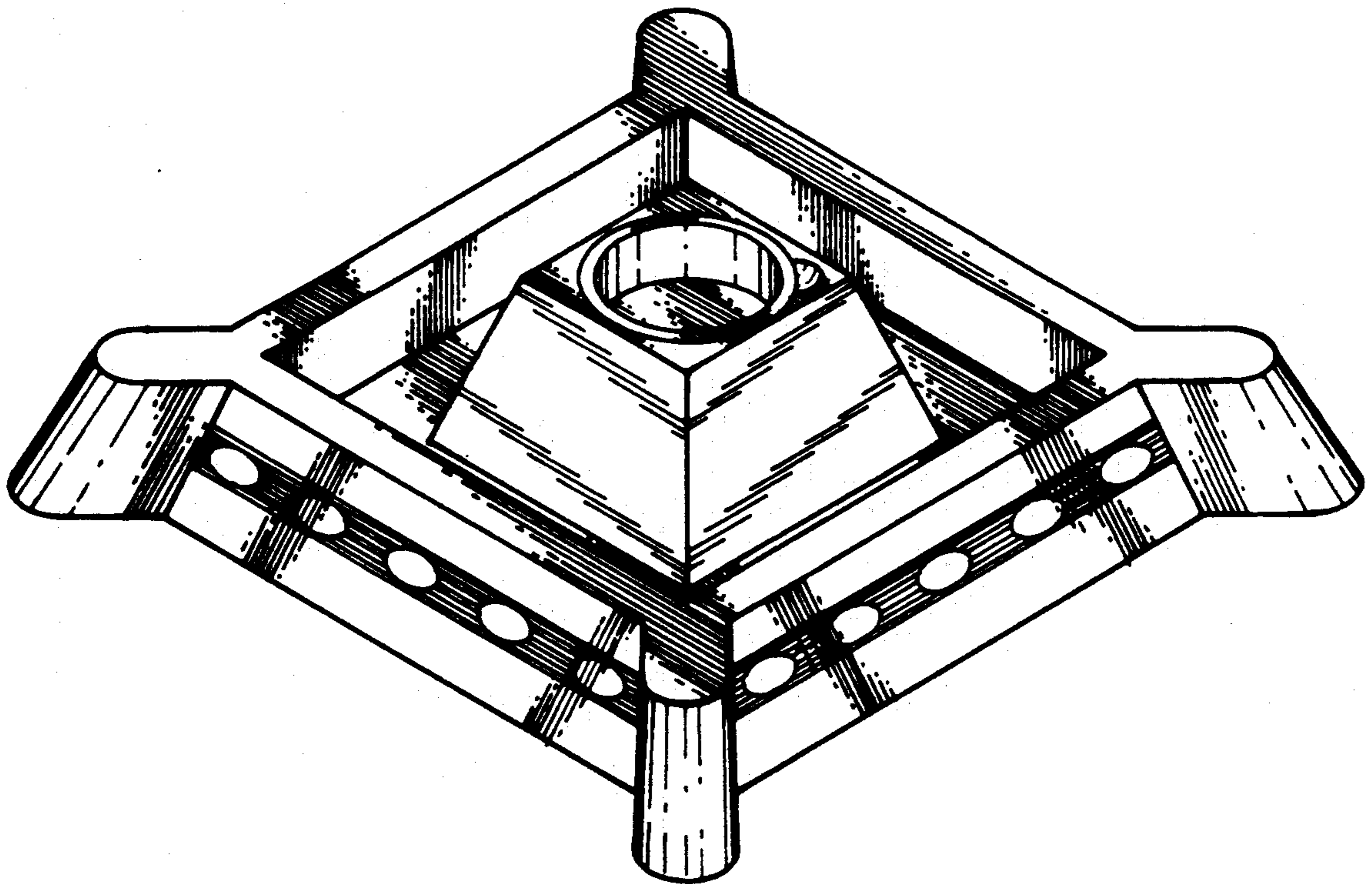
D. 96,552	8/1935	Houghton, Jr. ....	D30/129
D. 103,562	3/1937	Cook .....	D30/129
D. 105,812	8/1937	Siekert .....	D30/130
D. 232,564	8/1974	Kissin .....	D30/129
D. 272,567	2/1984	Anderson .....	D30/121
D. 291,527	8/1987	Notbohm .....	D7/546
D. 296,485	6/1988	Peterson .....	D30/130
D. 312,895	12/1990	Goetz .....	D30/129
D. 313,486	1/1991	Conner .....	D30/129
D. 321,498	11/1991	Jones .....	D30/121
D. 326,587	6/1992	Convertini .....	D7/555

### [57] CLAIM

The ornamental design for a combined pet food and water dish, as shown and described.

### DESCRIPTION

FIG. 1 is a perspective view of the combined pet food and water dish embodying the design of the present invention;  
FIG. 2 is a typical elevational view thereof, all elevational views being identical to the view shown in FIG. 2;  
FIG. 3 is a top plan view thereof; and  
FIG. 4 is a bottom view thereof.



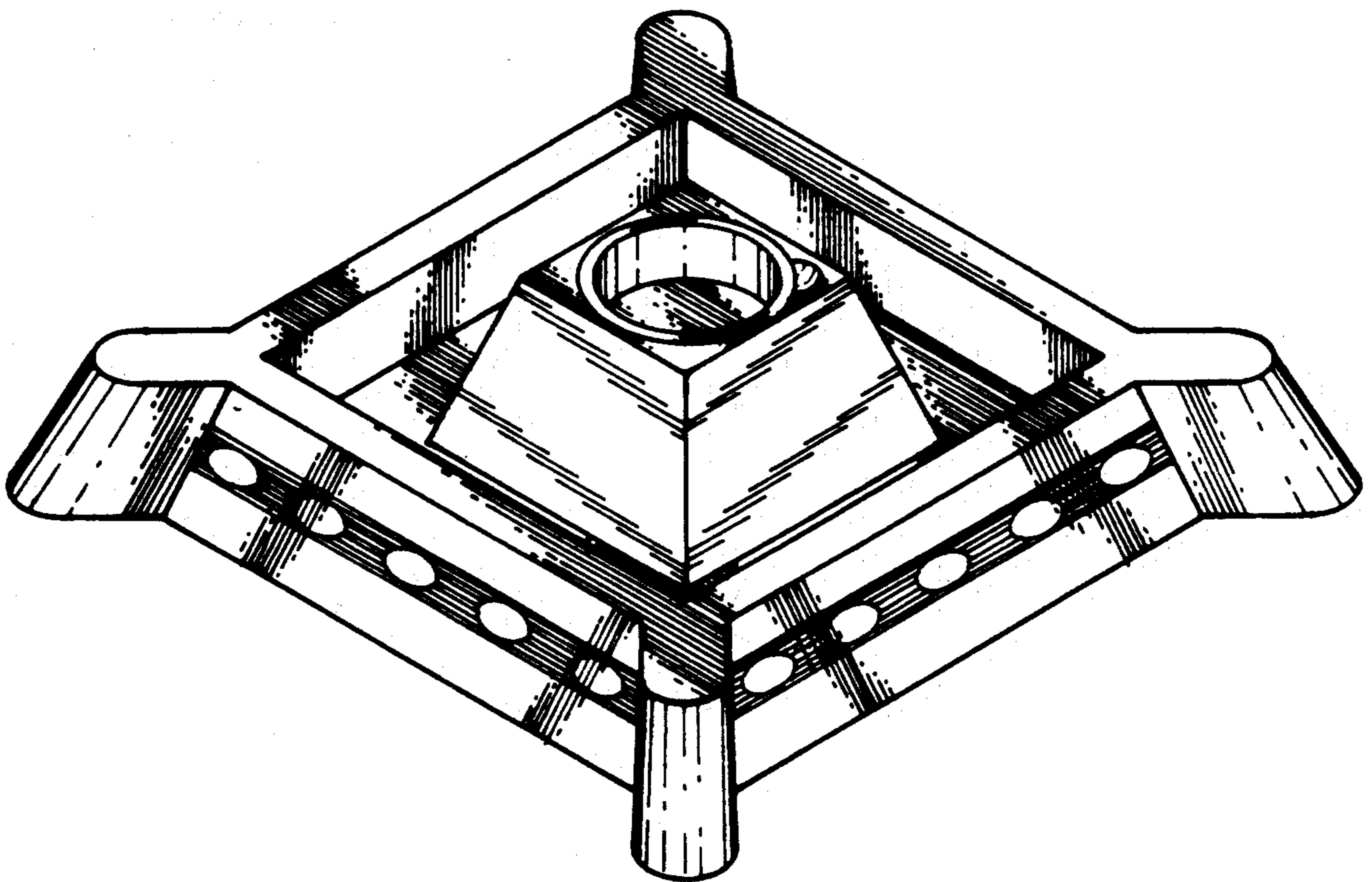


FIG. 1

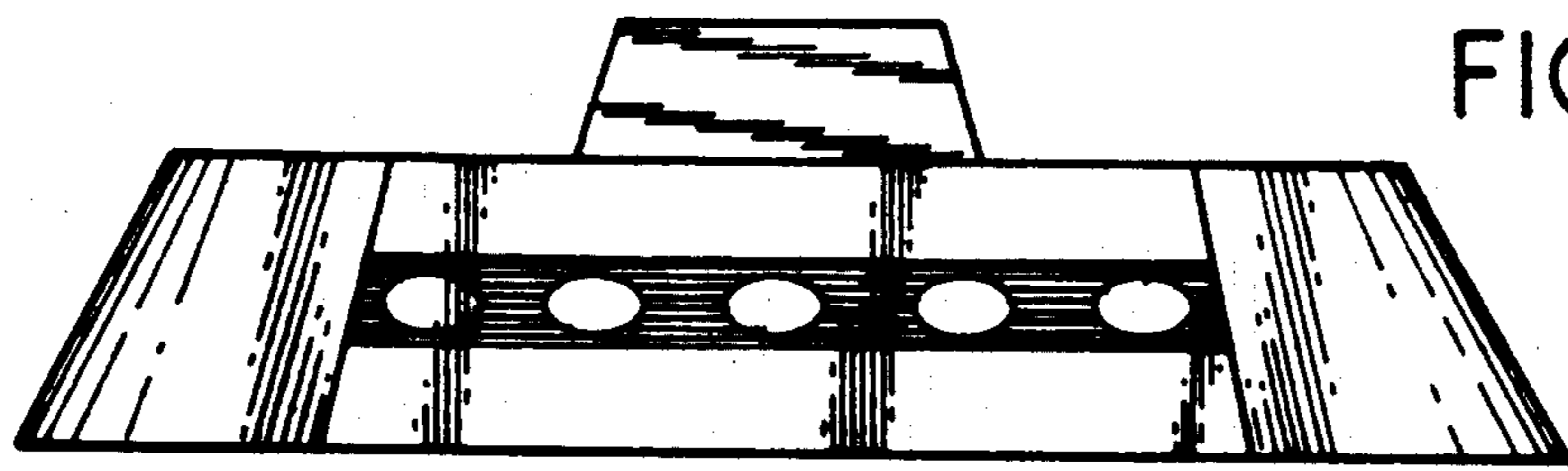


FIG. 2

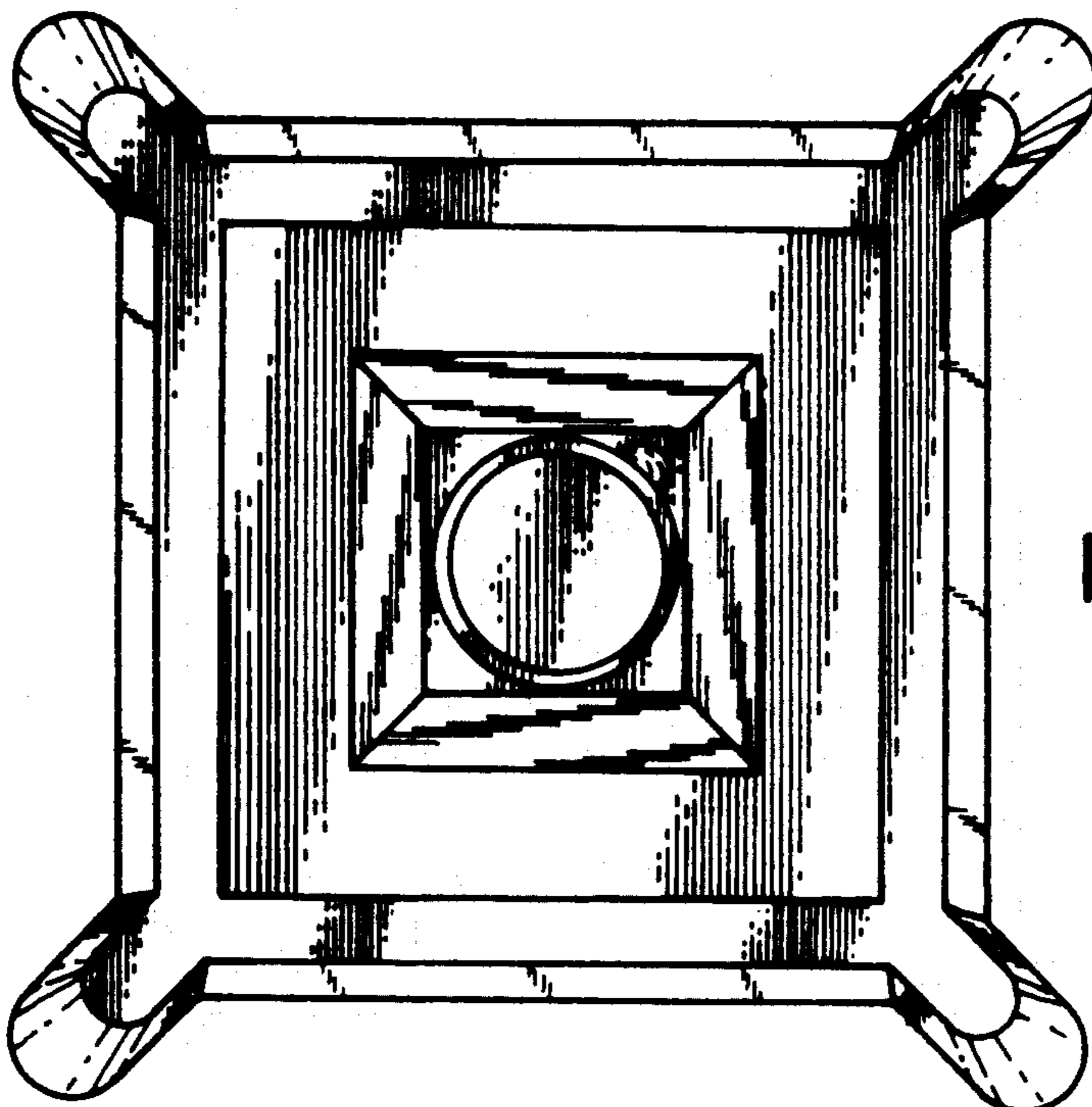


FIG. 3

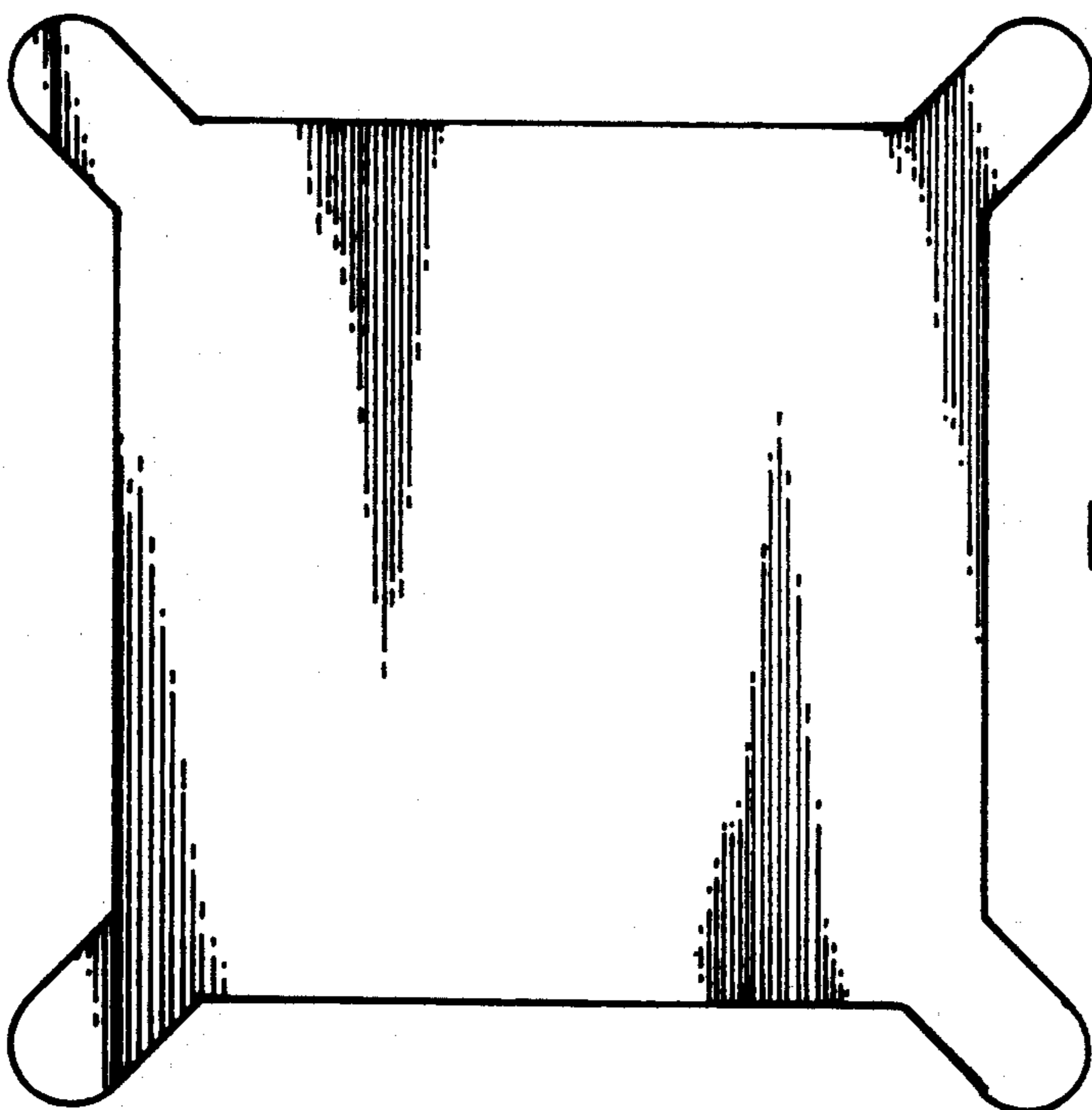


FIG. 4